

US00D545068S

(12) **United States Design Patent**
Giampavolo

(10) **Patent No.:** **US D545,068 S**

(45) **Date of Patent:** **** Jun. 26, 2007**

(54) **APPAREL HOOK WITH EXTENSION**

(76) **Inventor:** **Paul Giampavolo**, 10 Kingsbridge Rd.,
Fairfield, NJ (US) 07860

(**) **Term:** **14 Years**

(21) **Appl. No.:** **29/226,305**

(22) **Filed:** **Mar. 28, 2005**

(51) **LOC (8) Cl.** **06-08**

(52) **U.S. Cl.** **D6/315; D6/328**

(58) **Field of Classification Search** D6/315-317,
D6/323-325, 327, 328; D8/249, 354, 356,
D8/367, 373; 223/85-98; 211/13.1, 85.3,
211/86.01, 183

See application file for complete search history.

(56) **References Cited**

U.S. PATENT DOCUMENTS

1,690,694 A	11/1928	Nissen	24/199
2,285,714 A	6/1942	Hirsh	24/199
2,403,834 A	7/1946	Streit	211/113
2,879,930 A *	3/1959	Renner	223/95
2,901,801 A	9/1959	Girodet	24/200
D201,594 S	7/1965	Woodard	D73/1
D204,376 S	4/1966	Garver	D26/142
D205,257 S	7/1966	Hellinger et al.	D6/315
3,736,925 A	6/1973	Erman	606/204.35
3,783,995 A	1/1974	Tobin	206/7
D264,789 S *	6/1982	Zyla et al.	D6/315
4,355,444 A	10/1982	Haney	24/129 B
4,368,865 A	1/1983	Kolbe	248/214
4,453,655 A *	6/1984	Smilow et al.	223/87
4,507,038 A	3/1985	Lequeux	414/27
4,718,546 A	1/1988	Kolton et al.	206/206
4,765,467 A	8/1988	Kolton et al.	206/296
4,858,867 A	8/1989	King	248/214
4,874,100 A	10/1989	Smagula	211/60.1
5,052,061 A	10/1991	Nichols	4/661
D321,795 S	11/1991	Winston	D6/328
D331,695 S	12/1992	O'Keefe	D8/356

5,325,568 A	7/1994	Bruhm	24/301
D350,712 S	9/1994	D'Ambrosio et al.	D11/218
D356,658 S	3/1995	Bernart	D2/624
5,421,355 A	6/1995	Cantwell	135/120.3
D360,127 S	7/1995	Stiner	D8/367
D368,590 S *	4/1996	Charlet	D6/315
D375,673 S	11/1996	Schwalter	D8/367

(Continued)

Primary Examiner—Mitchell Siegel

Assistant Examiner—Shanda C. Hill

(74) *Attorney, Agent, or Firm*—Ostrolenk, Faber, Gerb & Soffen, LLP

(57) **CLAIM**

The ornamental design for an apparel hook with extension, substantially as shown and described.

DESCRIPTION

FIG. 1 is a front elevation view of a first embodiment of an apparel hook with extension showing my new design, the rear elevation view being a mirror image thereof;

FIG. 2 is a right side elevation view thereof;

FIG. 3 is a left side elevation view thereof;

FIG. 4 is a top plan view thereof;

FIG. 5 is a bottom plan view thereof;

FIG. 6 is a front elevation view of a second embodiment of an apparel hook with extension, the rear elevation view being a mirror image thereof;

FIG. 7 is a right side elevation view thereof;

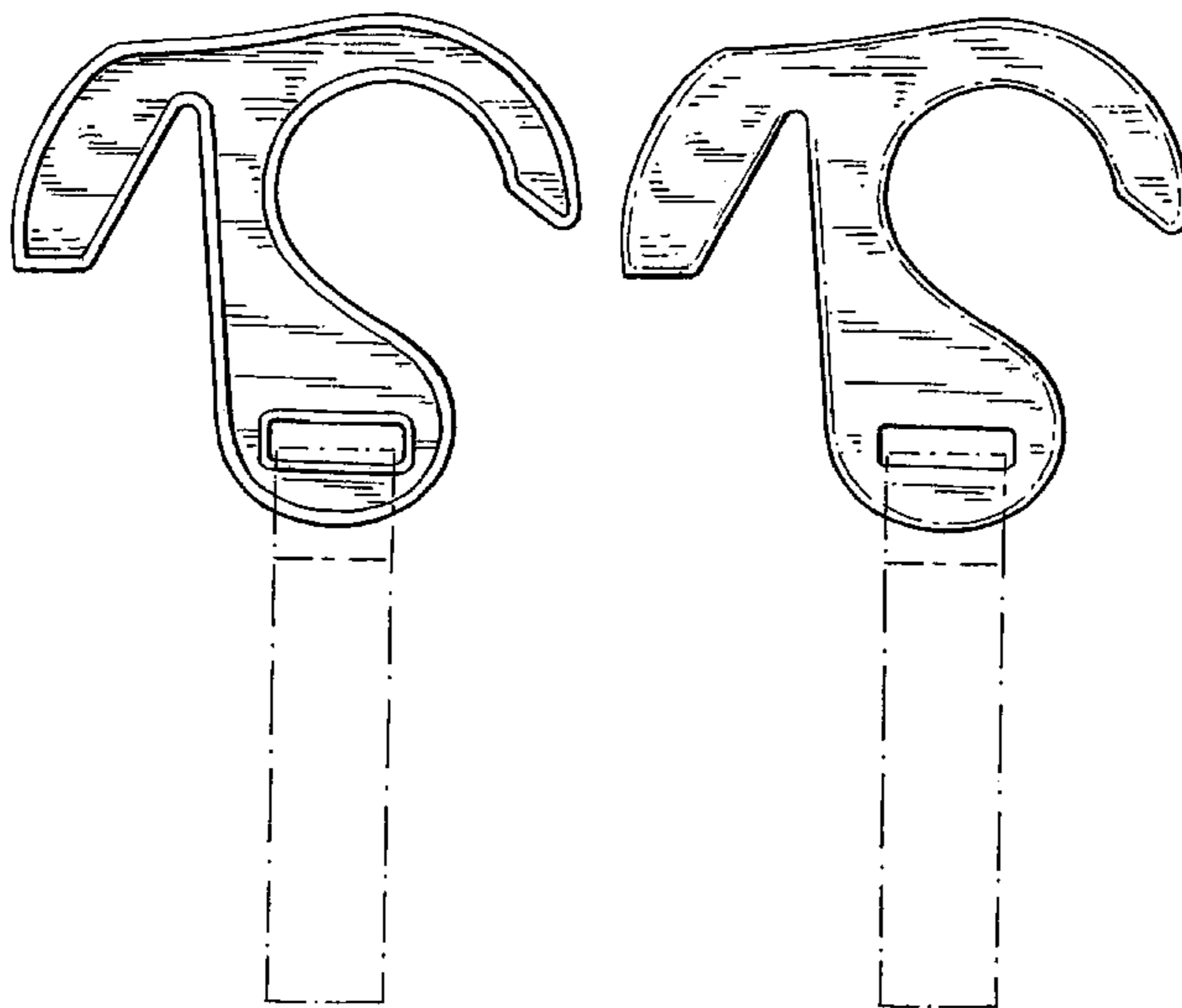
FIG. 8 is a left side elevation view thereof;

FIG. 9 is a top plan view thereof; and,

FIG. 10 is a bottom plan view thereof.

The broken line showing the strap in FIGS. 1, 2, 6, and 7 is for illustrative purposes only and forms no part of the claimed design.

1 Claim, 2 Drawing Sheets



US D545,068 S

Page 2

U.S. PATENT DOCUMENTS

5,584,455	A	12/1996	Artemi	248/214	D456,703	S	5/2002	Sornsriwichai	D8/402
5,664,712	A	9/1997	Smrt	224/250	D458,831	S *	6/2002	Selby	D8/367
5,772,160	A	6/1998	Gordon	248/68.1	6,422,521	B1	7/2002	Tinklepaugh et al.	248/75
D405,965	S	2/1999	Cardenas	D6/328	D464,810	S	10/2002	Thesen et al.	D6/315
5,979,023	A	11/1999	Nutto	24/339	D480,566	S *	10/2003	Neathery	D6/328
D418,171	S	12/1999	Robinson et al.	D20/42	D506,078	S *	6/2005	Leung et al.	D6/328
6,094,801	A	8/2000	Howe	29/525.01	D533,362	S *	12/2006	Giampavolo	D6/328
D439,280	S	3/2001	Perelli	D20/42	2006/0249549	A1 *	11/2006	Giampavolo	223/85

* cited by examiner

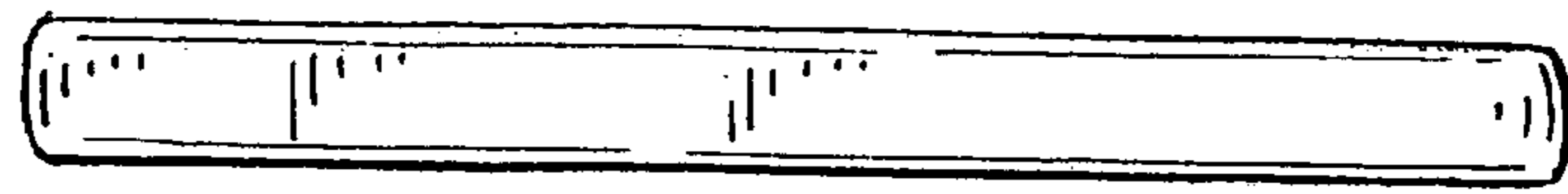


FIG. 4



FIG. 3

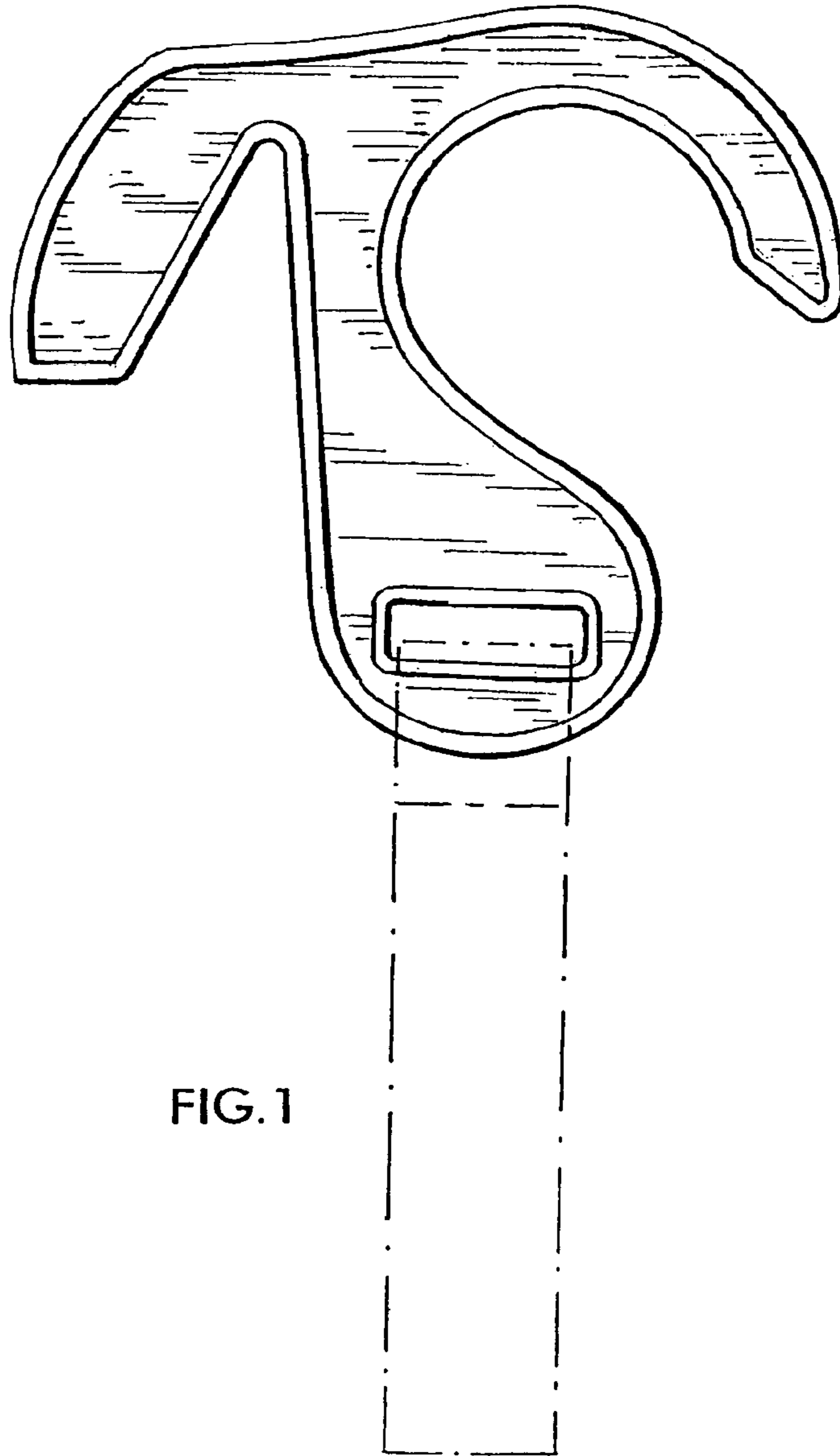


FIG. 1



FIG. 2

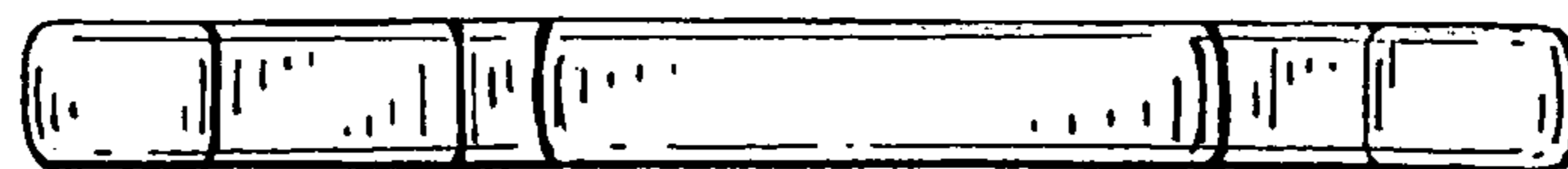


FIG. 5

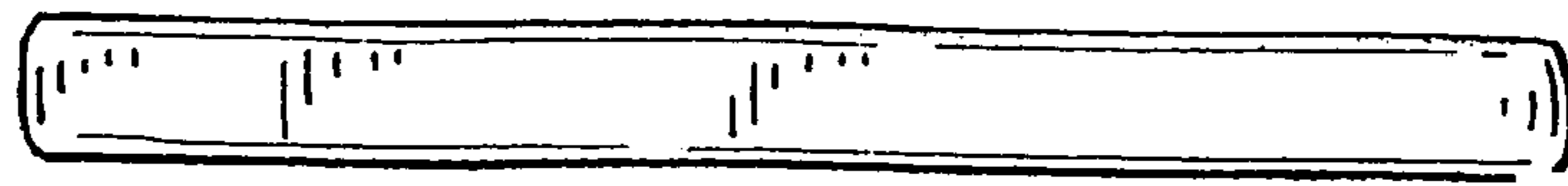


FIG. 9



FIG. 8

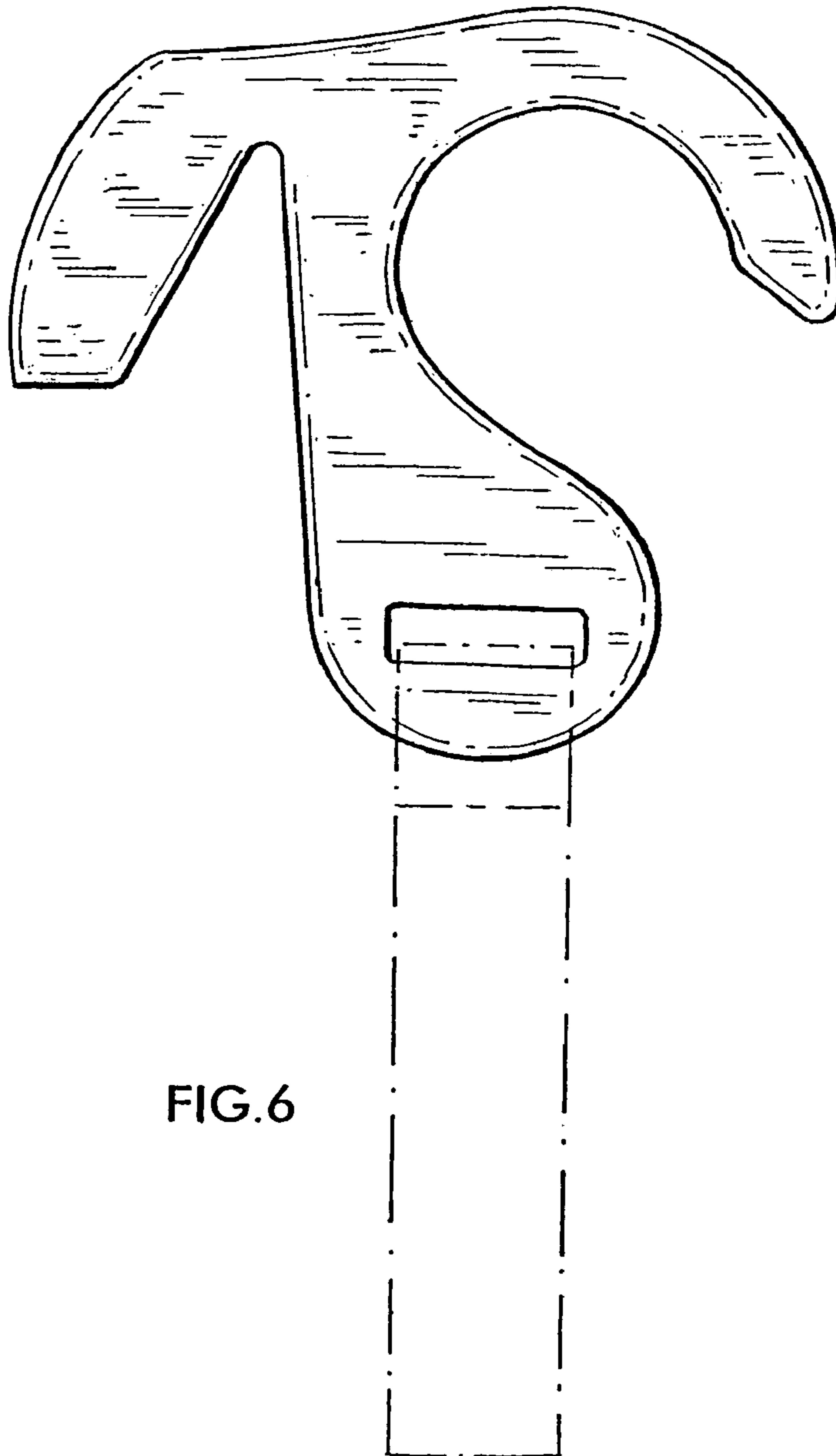


FIG. 6



FIG. 7

FIG. 10

