

US00D545066S

(12) **United States Design Patent**
Bustos

(10) **Patent No.:** **US D545,066 S**
(45) **Date of Patent:** **** Jun. 26, 2007**

(54) **TOOTHBRUSH CASE WITH DENTAL FLOSS AND TOOTHPASTE COMPARTMENT**

(76) **Inventor:** **Linda Bananal Bustos**, 12577 Cabezon Pl., San Diego, CA (US) 92129

(**) **Term:** **14 Years**

(21) **Appl. No.:** **29/241,585**

(22) **Filed:** **Oct. 31, 2005**

(51) **LOC (8) Cl.** **04-99**

(52) **U.S. Cl.** **D4/199; D28/68**

(58) **Field of Classification Search** D4/113, D4/199; D3/205; D6/528, 534; D28/66, D28/68; 15/184; 132/308-311; 206/63.5, 206/209, 209.1, 361, 362.2, 368, 581, 823
See application file for complete search history.

(56) **References Cited**

U.S. PATENT DOCUMENTS

1,051,433	A *	1/1913	Moseley et al.	206/209.1
1,226,799	A *	5/1917	Olena	206/209.1
1,961,161	A *	6/1934	Nemmers	132/308
2,640,488	A *	6/1953	Velodota	132/308
4,865,481	A	9/1989	Scales		
D336,782	S *	6/1993	Vela et al.	D14/108
5,348,028	A	9/1994	Gustavel		

5,423,427	A	6/1995	Brown		
5,490,530	A	2/1996	Snowden		
5,924,429	A	7/1999	Morando		
2005/0211263	A1 *	9/2005	Kuo	132/310

* cited by examiner

Primary Examiner—Alan P. Douglas

Assistant Examiner—Lavone D. Tabor

(74) *Attorney, Agent, or Firm*—Theresa M. Seal

(57) **CLAIM**

The ornamental design for a toothbrush case with dental floss and toothpaste compartment, as shown and described.

DESCRIPTION

FIG. 1 is an exploded perspective view of the toothbrush case with dental floss and toothpaste compartment, in accordance with the invention;

FIG. 2 is a frontal view thereof;

FIG. 3 is a rear view thereof;

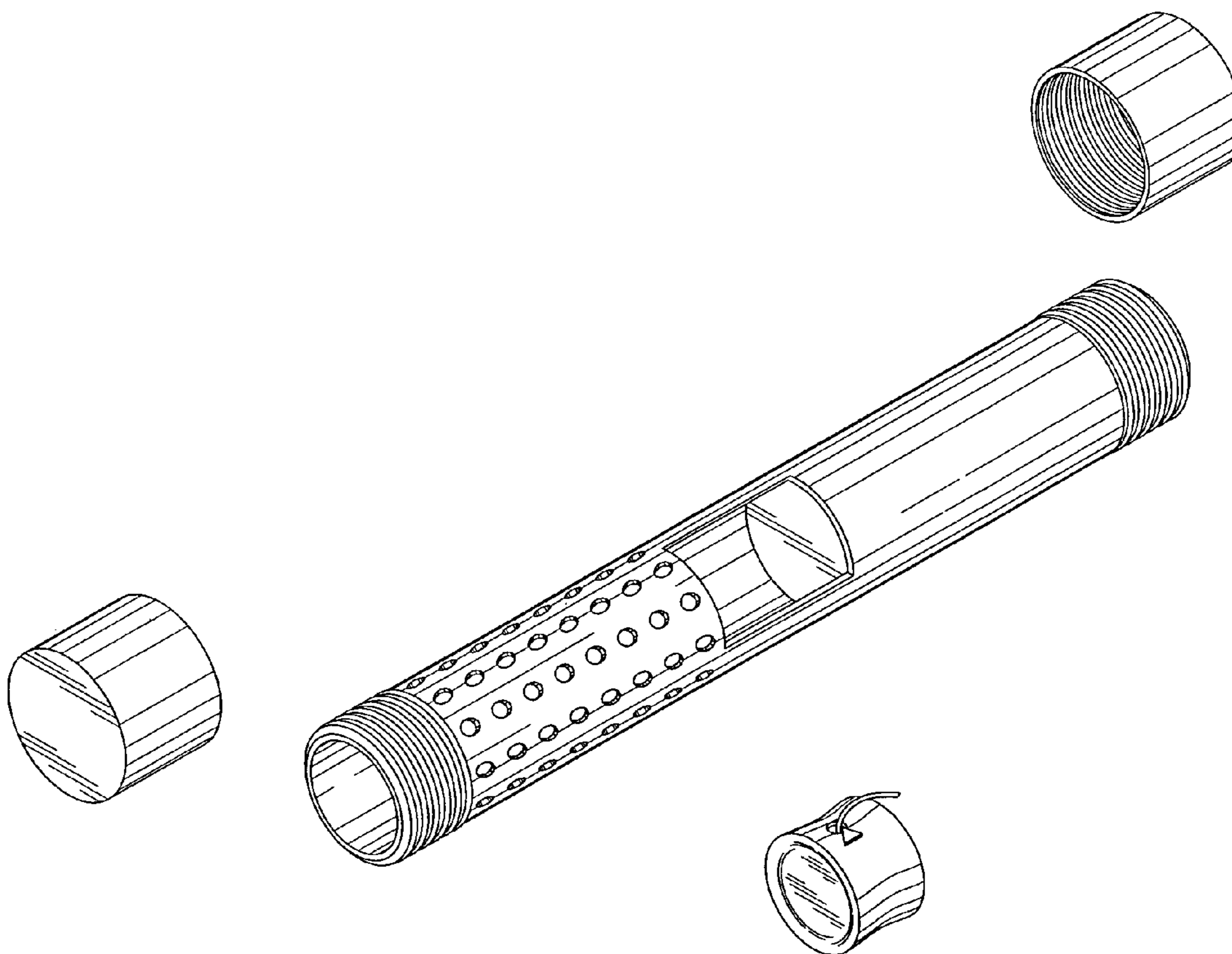
FIG. 4 is a side view thereof;

FIG. 5 is a side view, opposite that of FIG. 4 thereof;

FIG. 6 is a top plan view thereof; and,

FIG. 7 is a bottom plan view thereof.

1 Claim, 3 Drawing Sheets



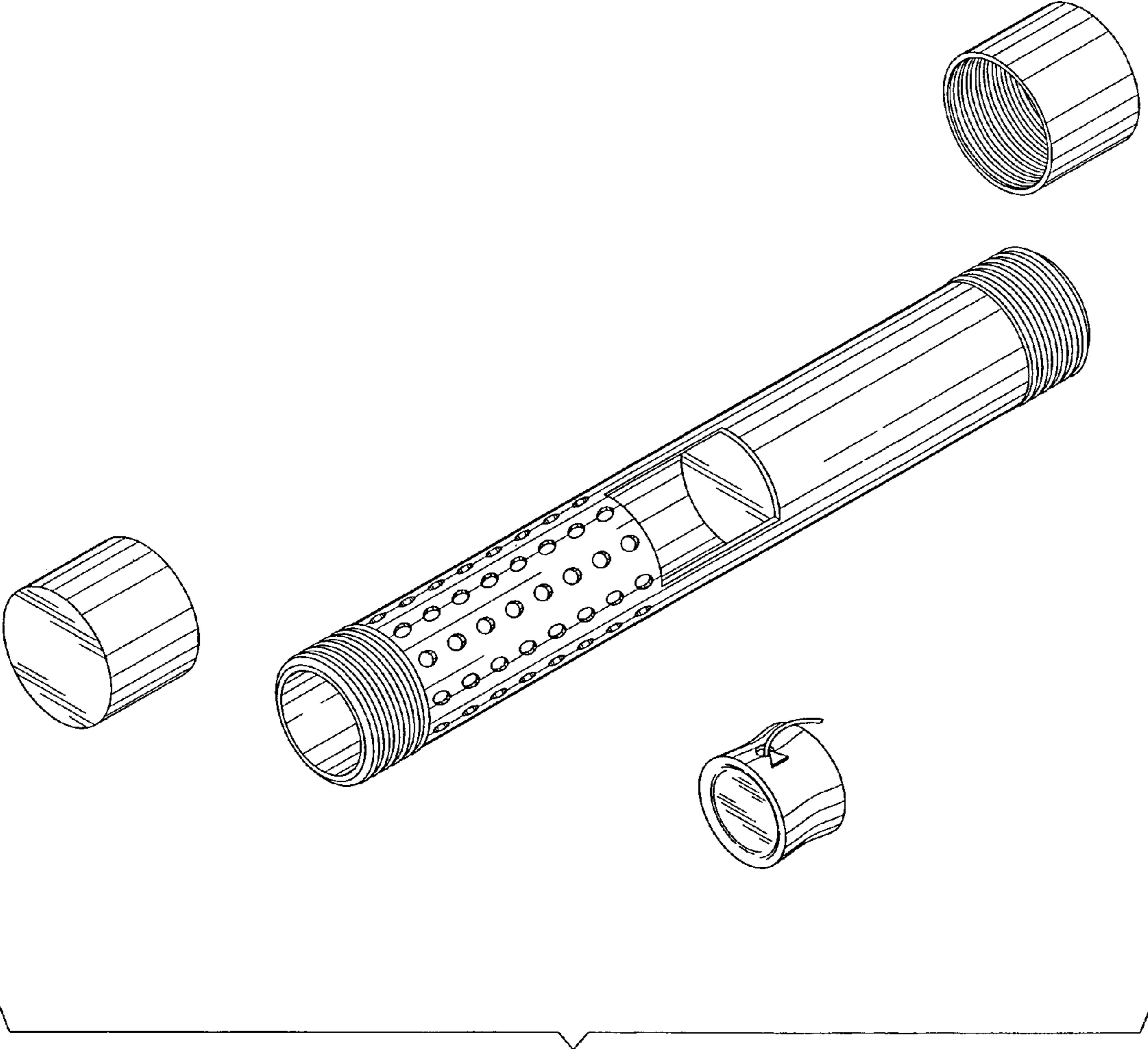


Fig. 1

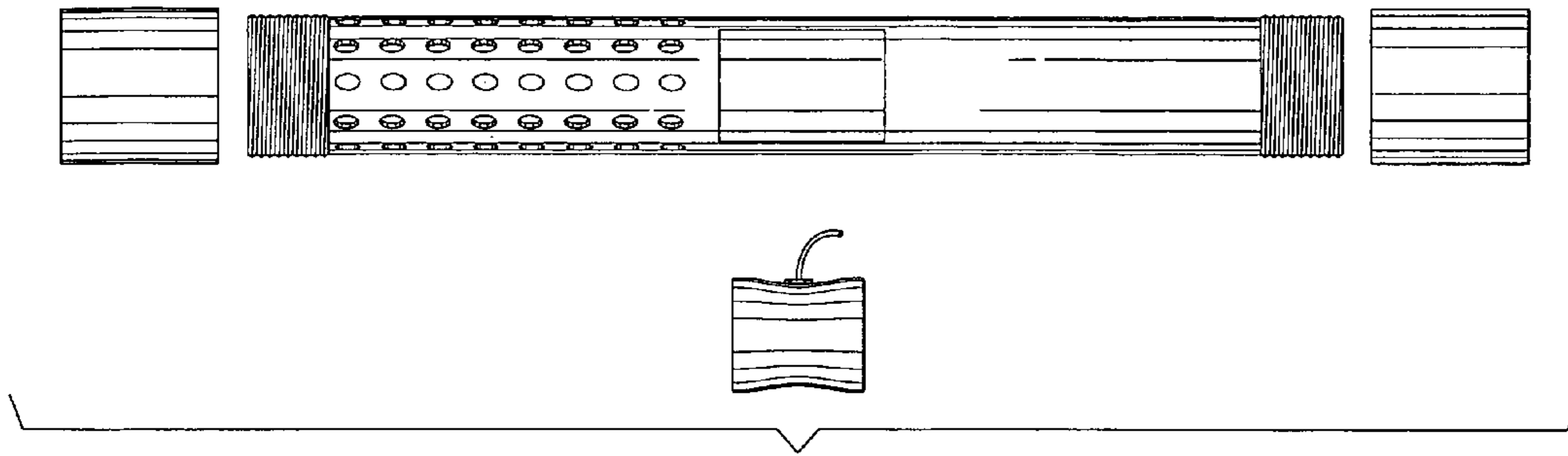


Fig. 2

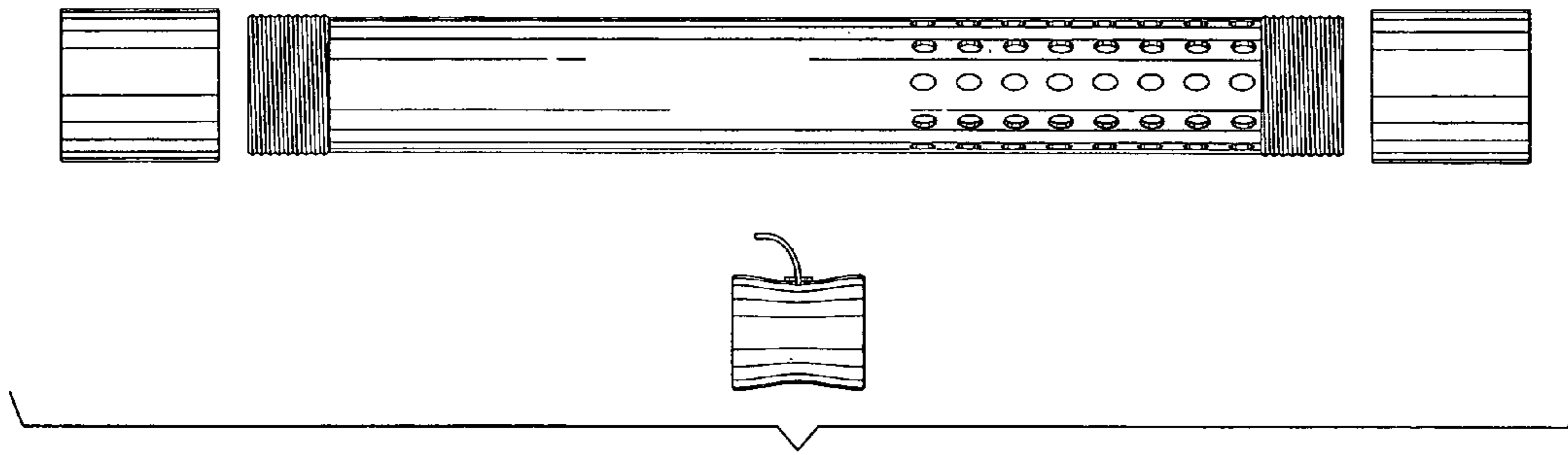


Fig. 3

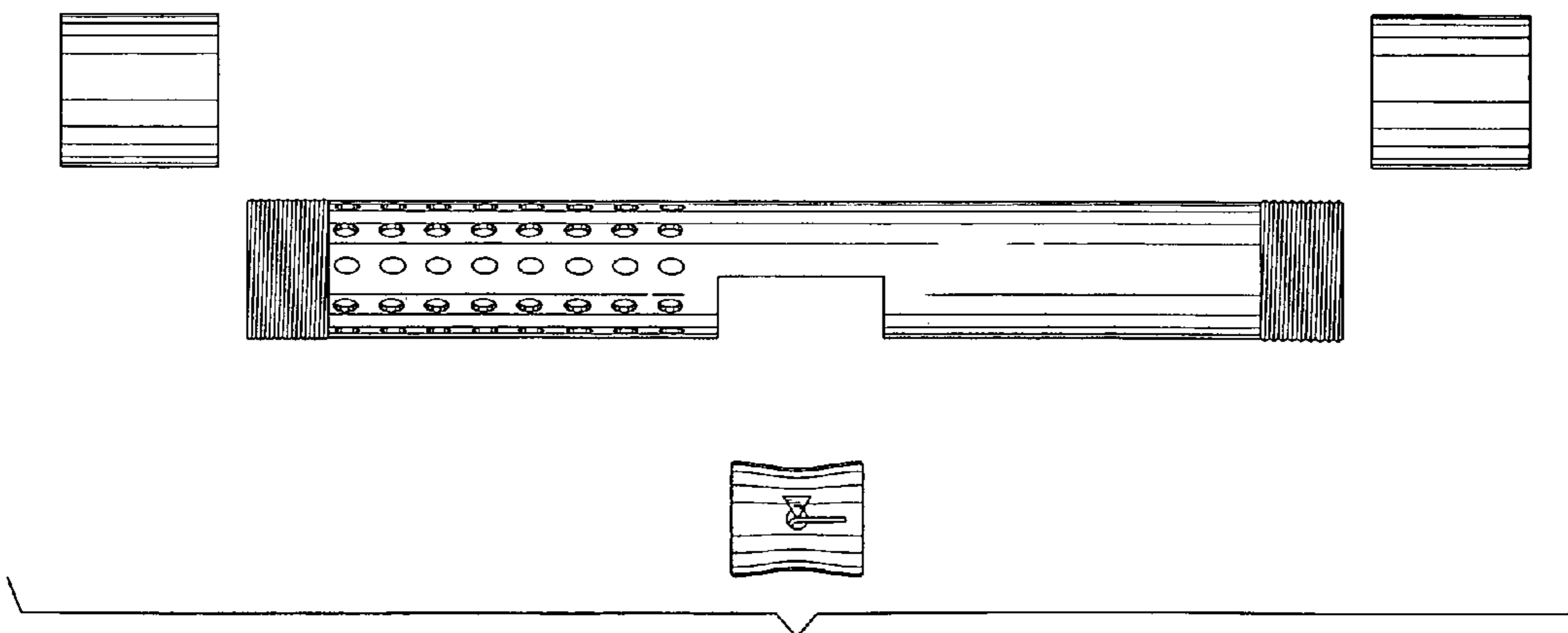


Fig. 4

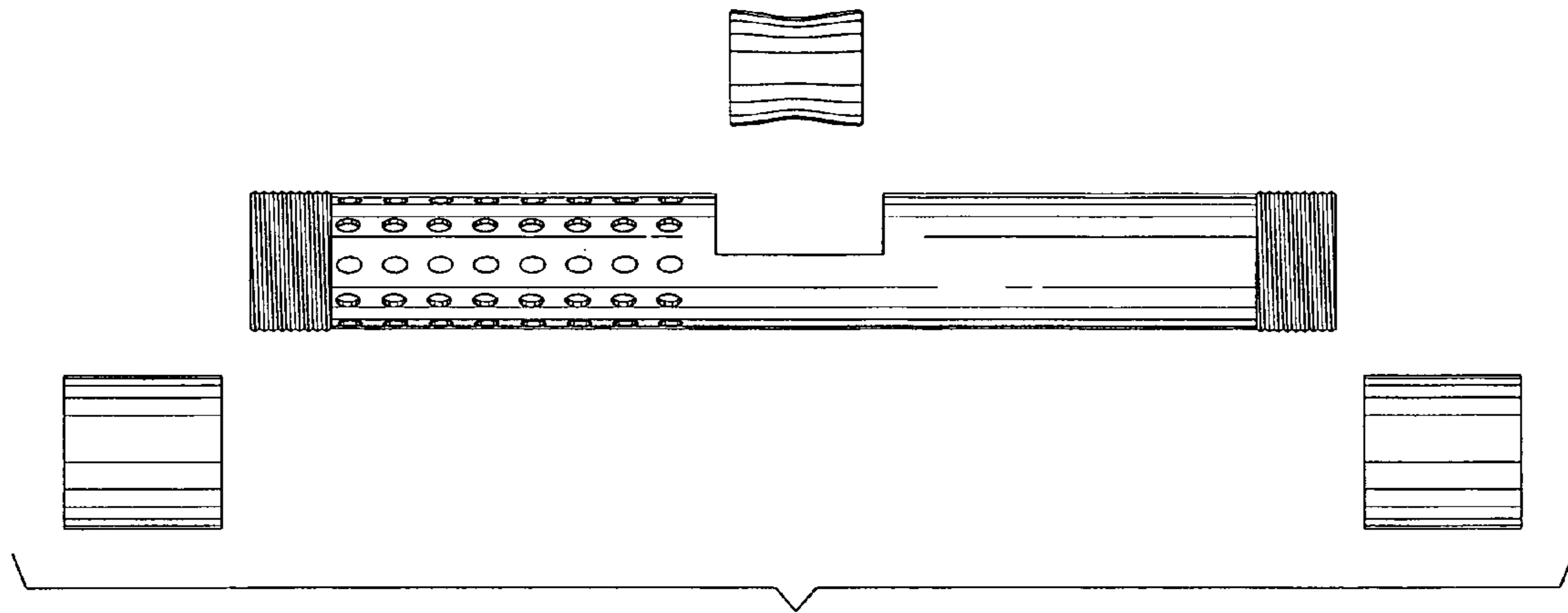


Fig. 5

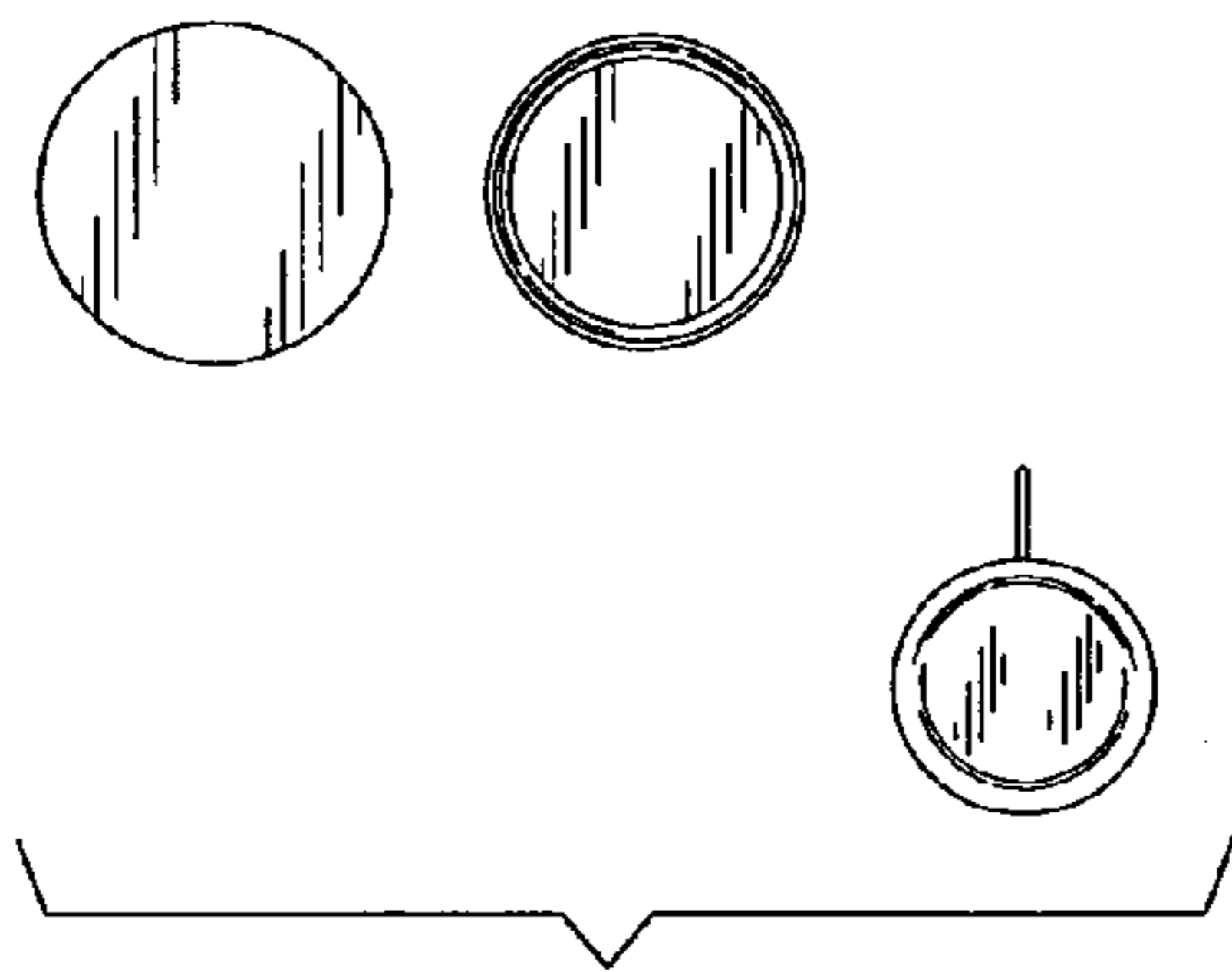


Fig. 6

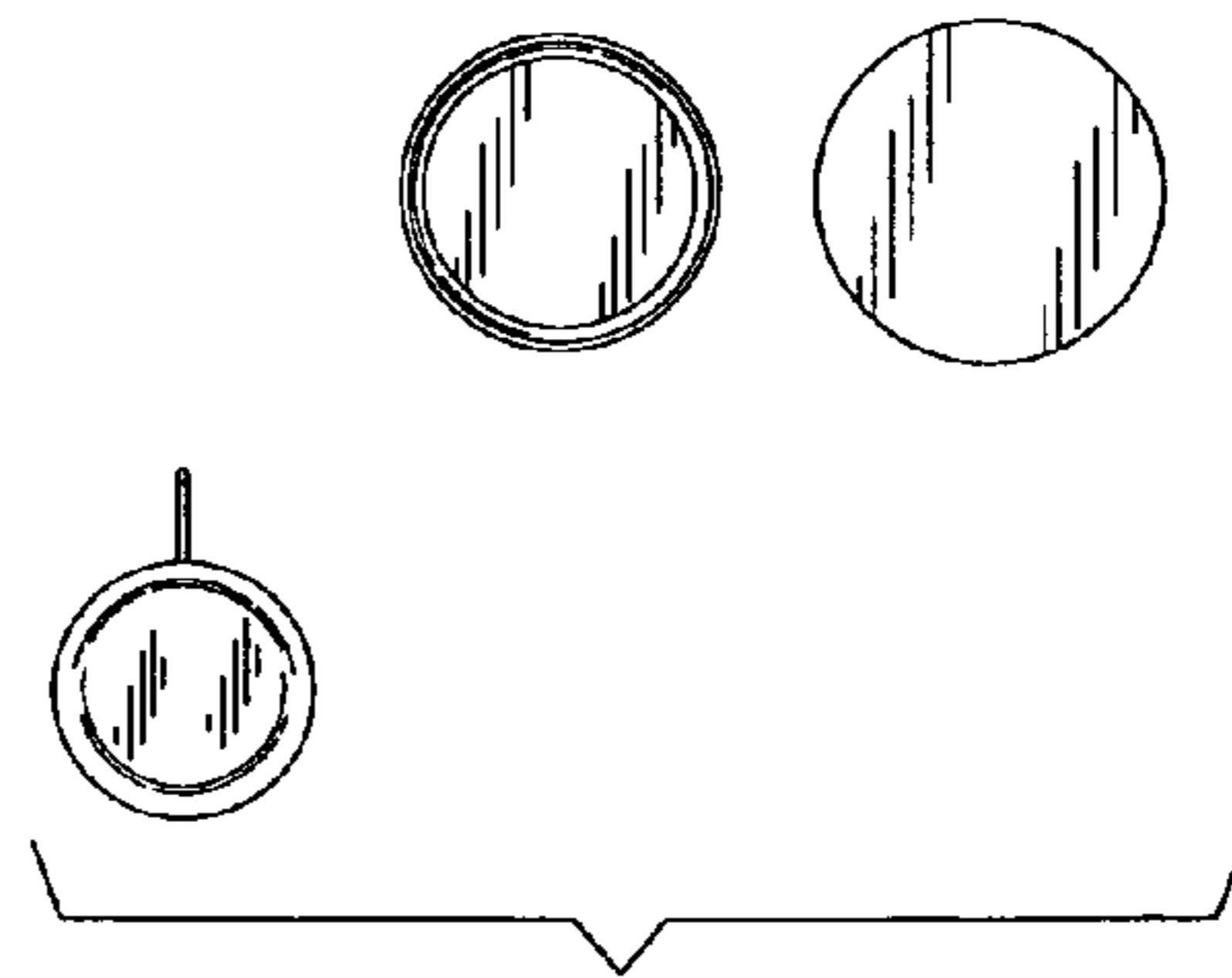


Fig. 7