



US00D545063S

(12) **United States Design Patent**  
**Sander**

(10) **Patent No.:** **US D545,063 S**  
(45) **Date of Patent:** **\*\* Jun. 26, 2007**

(54) **PUSH BROOM AND SQUEEGEE COMBINATION**

(75) Inventor: **Don Sander**, Fairfield, IA (US)

(73) Assignee: **Harper Brush Works, Inc.**, Fairfield, IA (US)

(\*\*) Term: **14 Years**

(21) Appl. No.: **29/216,923**

(22) Filed: **Nov. 10, 2004**

(51) **LOC (8) Cl.** ..... **04-01**

(52) **U.S. Cl.** ..... **D4/118; D4/132**

(58) **Field of Classification Search** ..... D4/118, D4/132, 138, 199; D32/42, 50, 51; 15/111, 15/117, 143.1, 145, 146, 159.1, 160, 171, 15/175, 176.1, 176.2, 191.1, 192, 193; 16/440  
See application file for complete search history.

(56) **References Cited**

**U.S. PATENT DOCUMENTS**

- 2,090,412 A \* 8/1937 Geiger ..... 15/146
- 6,134,739 A \* 10/2000 Gonzalez ..... 15/175
- D439,055 S \* 3/2001 Hay ..... D4/132
- 6,419,415 B1 \* 7/2002 Vosbikian et al.

D487,973 S \* 4/2004 Vosbikian ..... D4/132

**FOREIGN PATENT DOCUMENTS**

DE 10261148 A1 \* 7/2004

\* cited by examiner

*Primary Examiner*—Alan P. Douglas

*Assistant Examiner*—Lavone D. Tabor

(74) *Attorney, Agent, or Firm*—Welsh & Katz, Ltd.

(57) **CLAIM**

The ornamental design for a push broom and squeegee combination, as shown and described.

**DESCRIPTION**

FIG. 1 is a perspective view of the push broom and squeegee combination of the subject invention.

FIG. 2 is a front view of the invention of FIG. 1.

FIG. 3 is a rear view of the invention of FIG. 1.

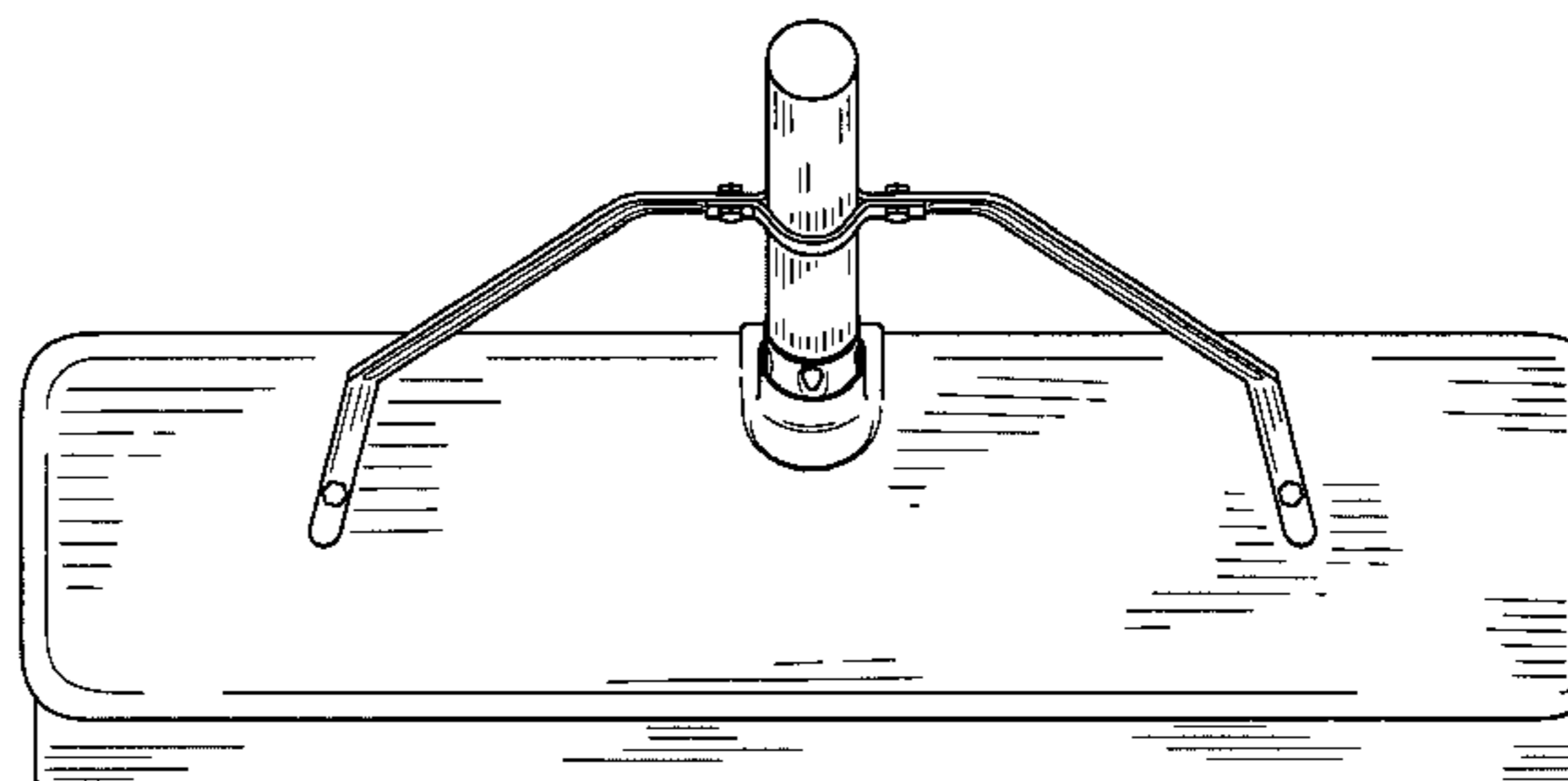
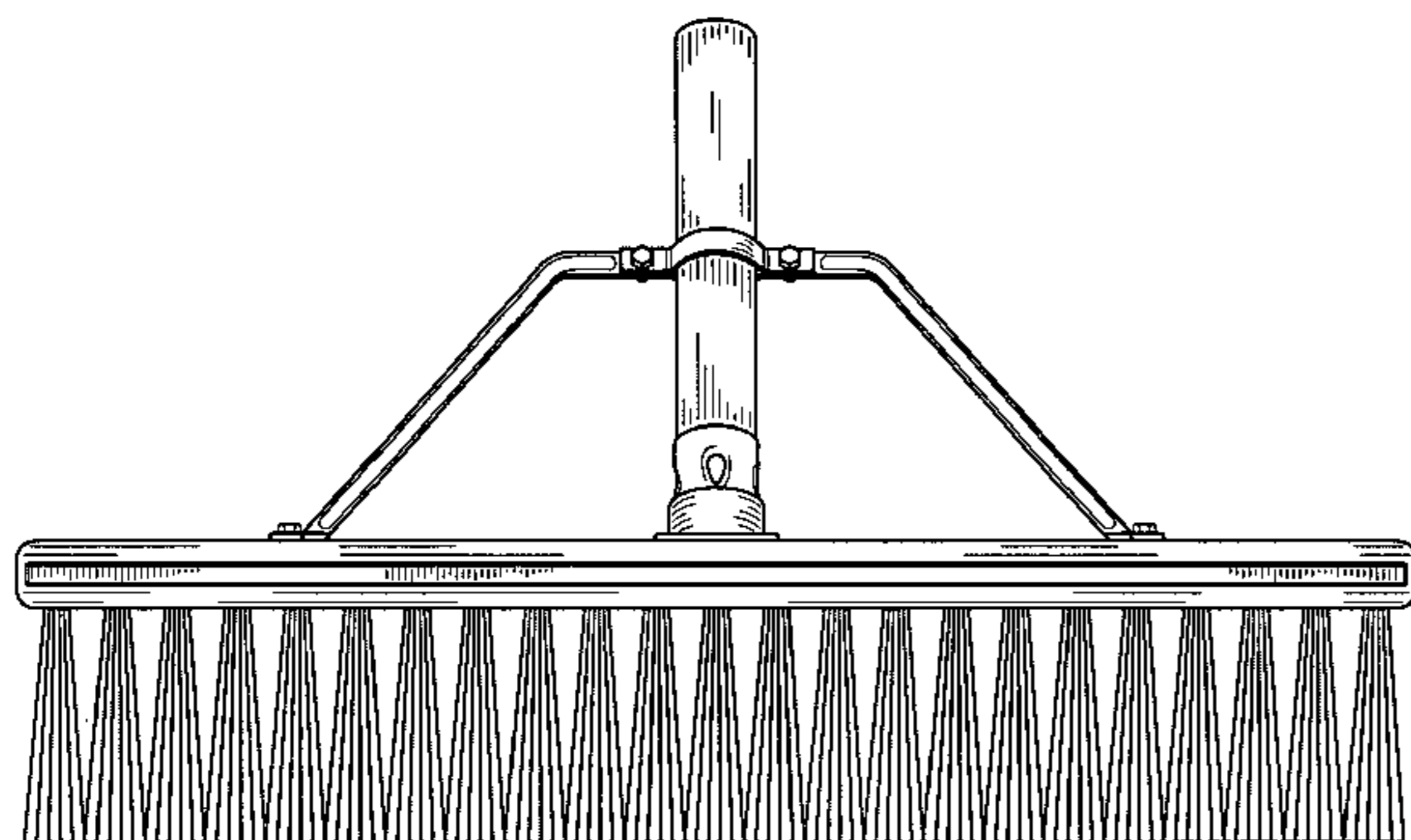
FIG. 4 is a left view of the invention of FIG. 1.

FIG. 5 is a right view of the invention of FIG. 1.

FIG. 6 is a top view of the invention of FIG. 1; and,

FIG. 7 is a bottom view of the invention of FIG. 1.

**1 Claim, 4 Drawing Sheets**



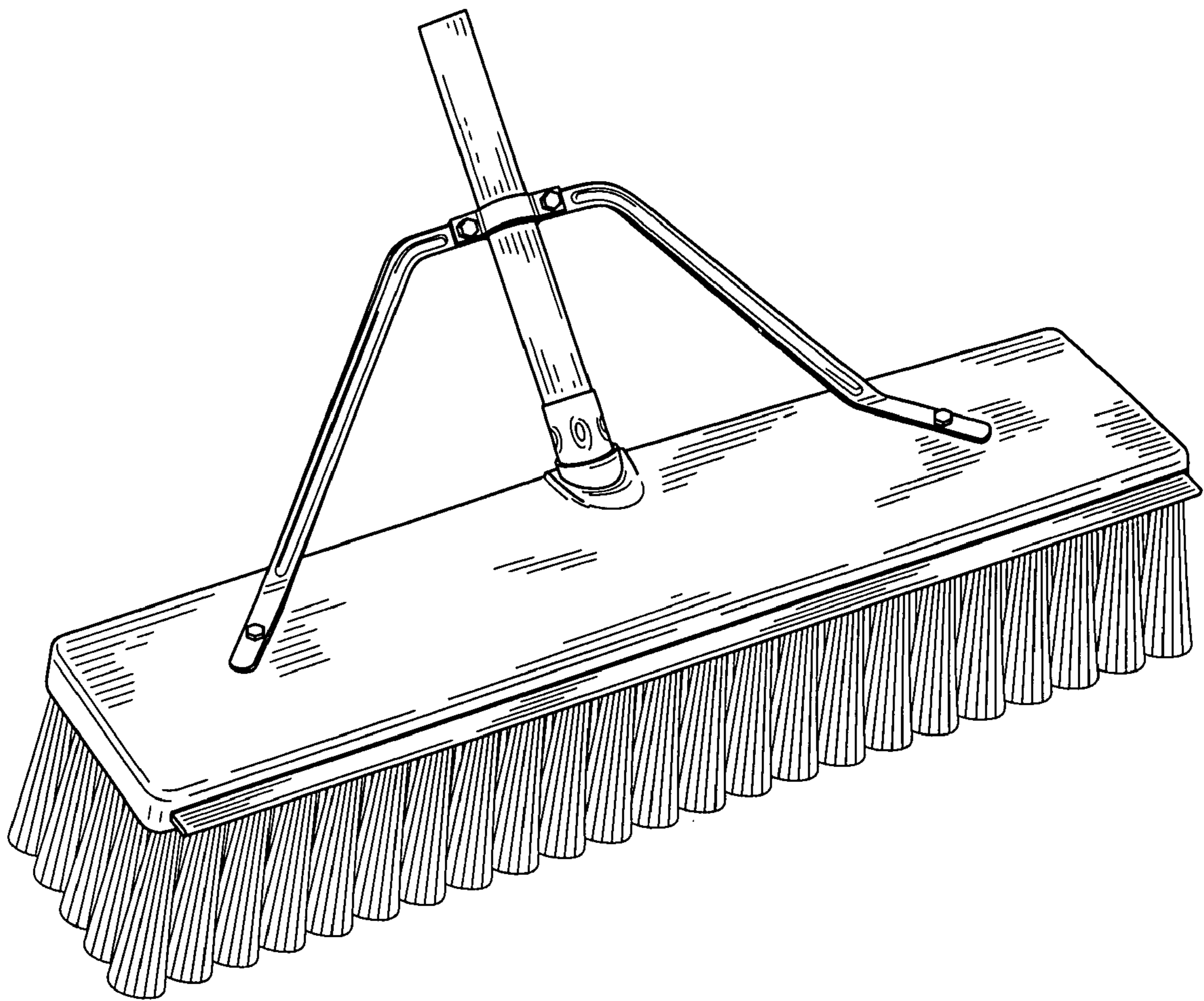


FIG. 1

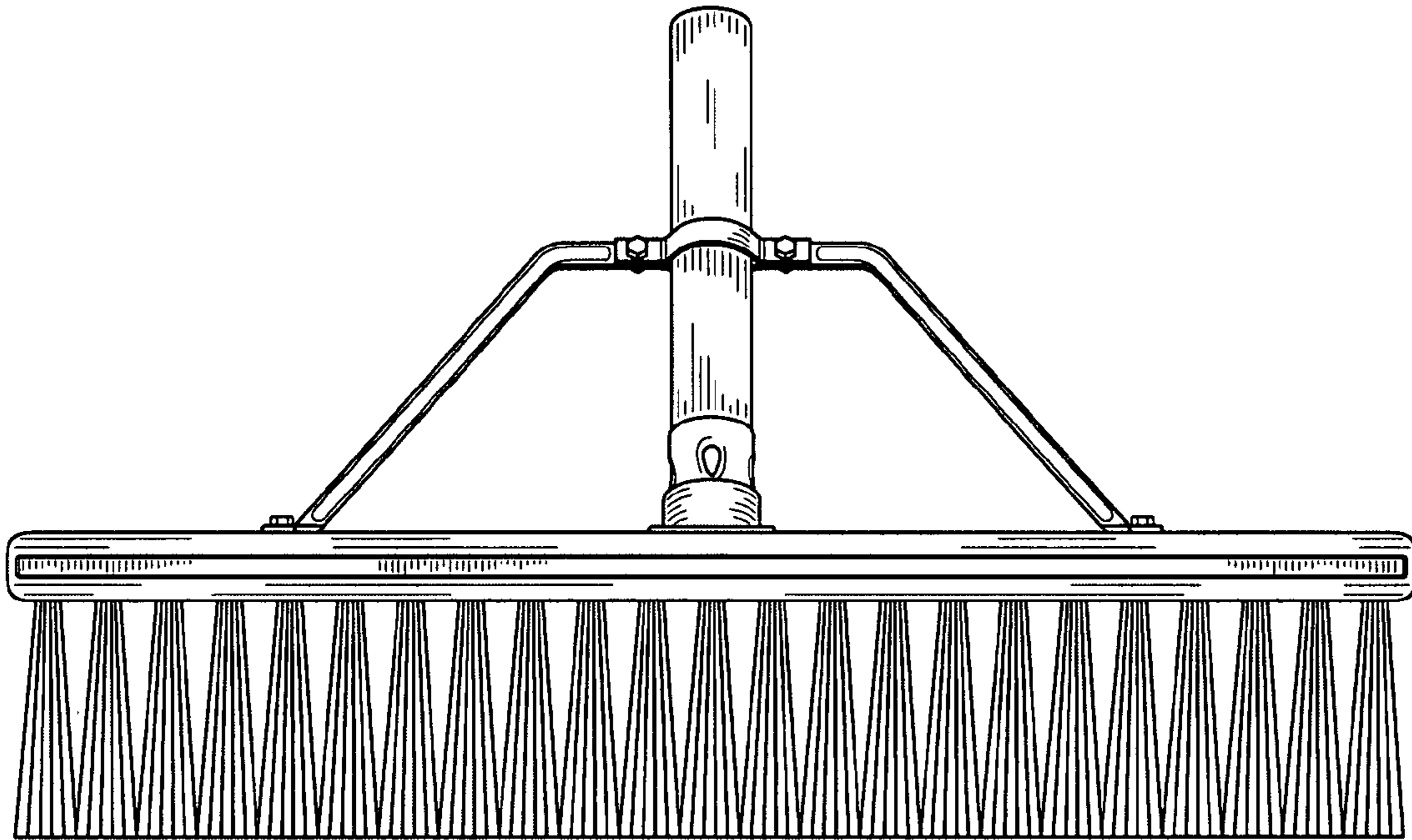


FIG. 2

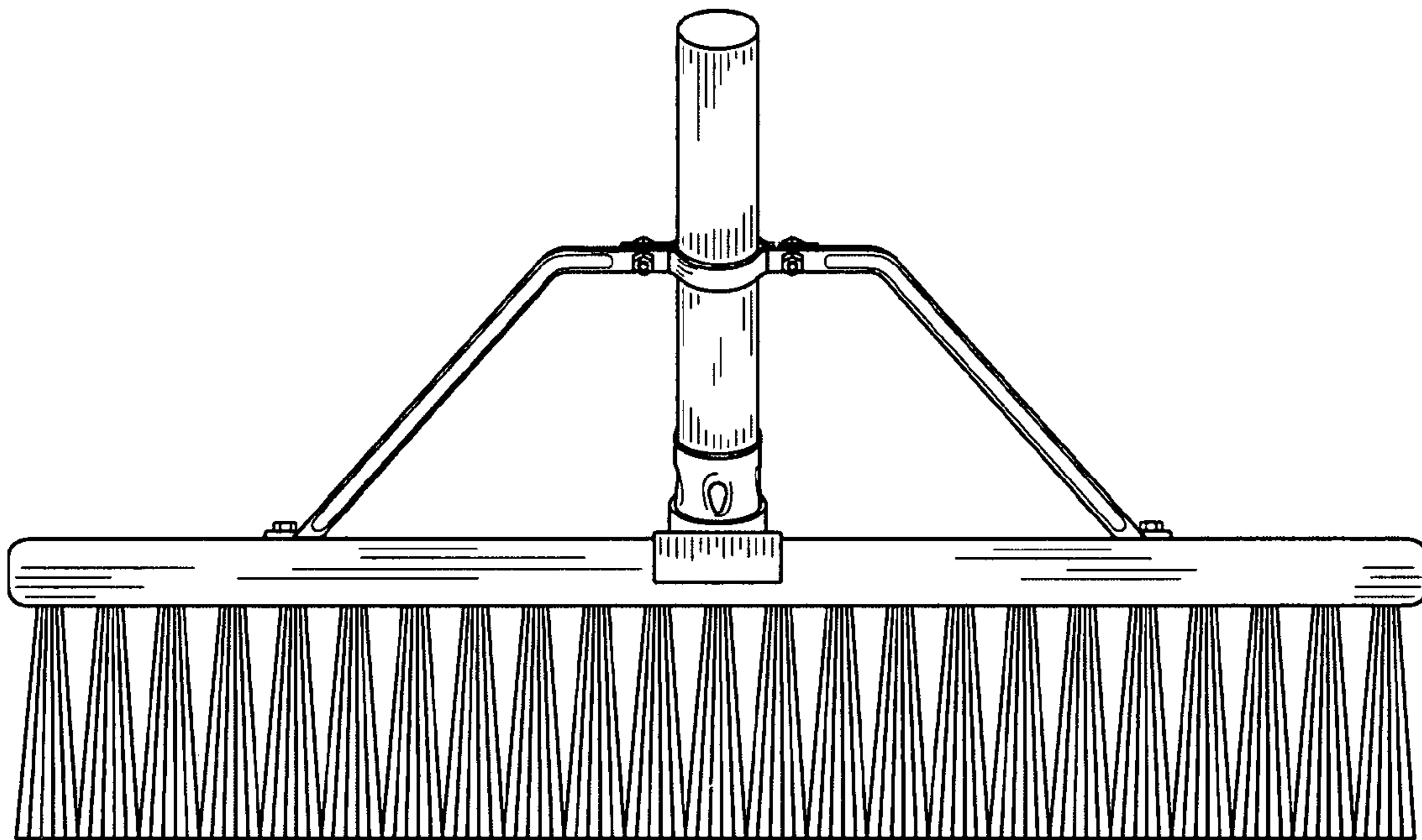


FIG. 3

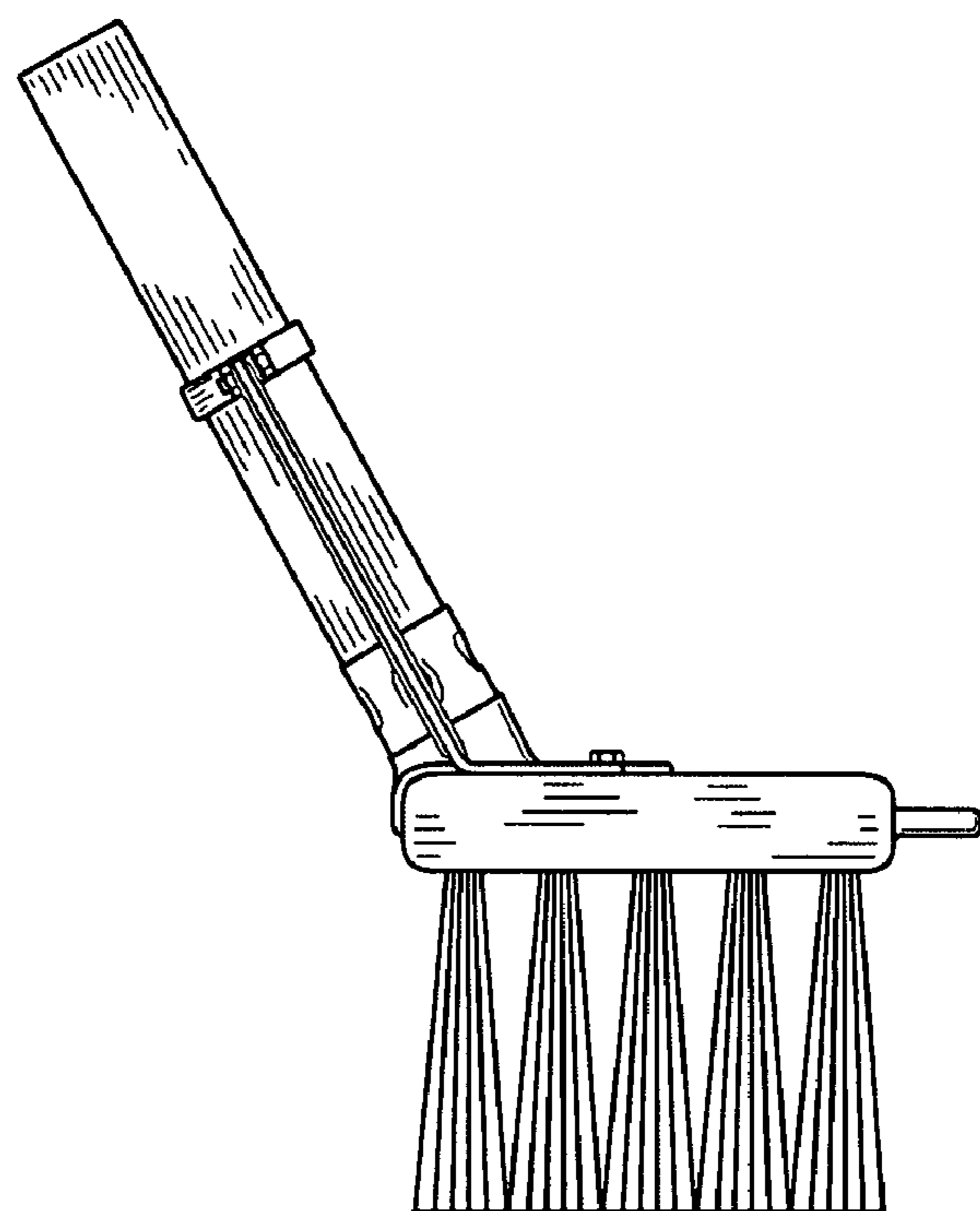


FIG. 4

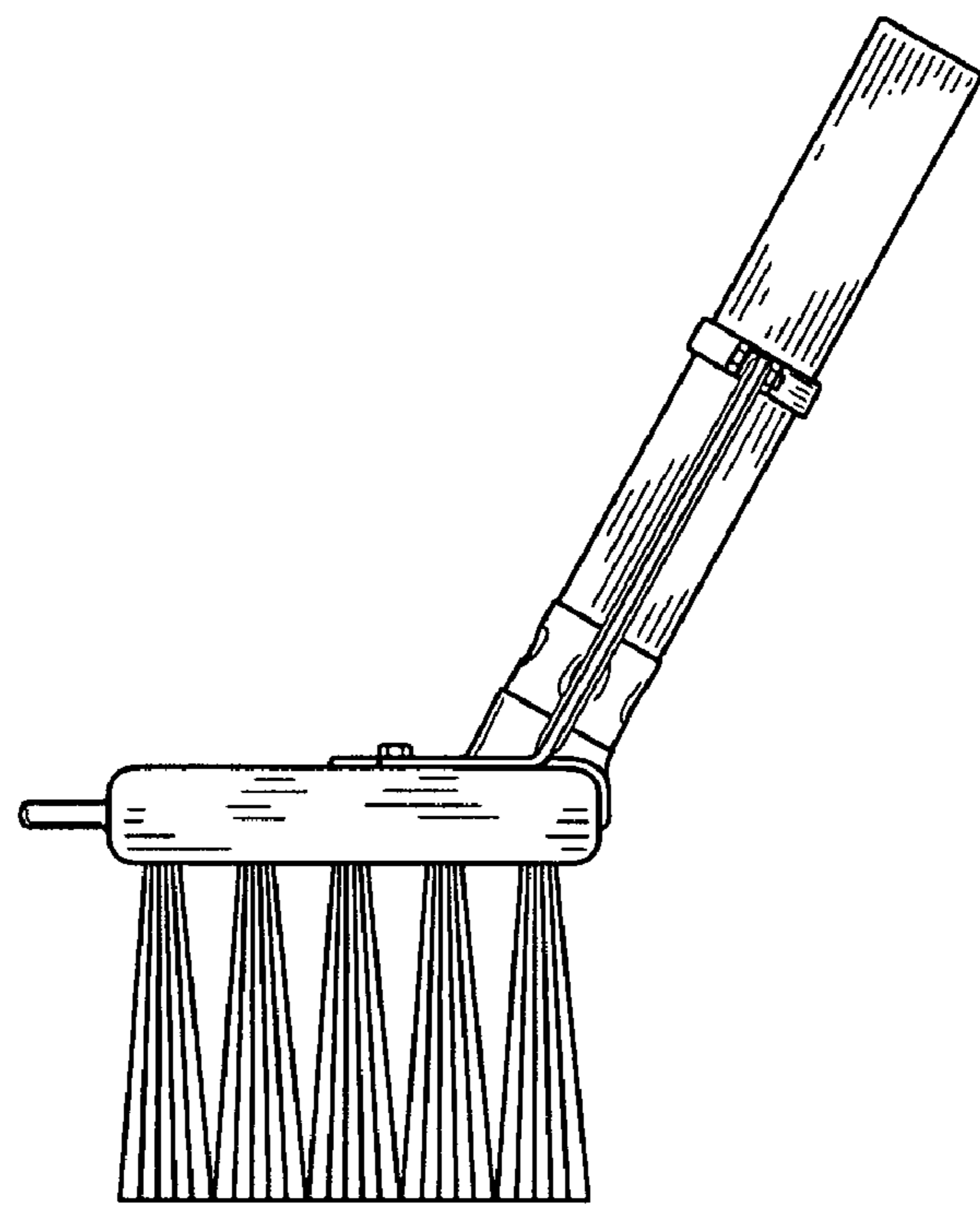


FIG. 5

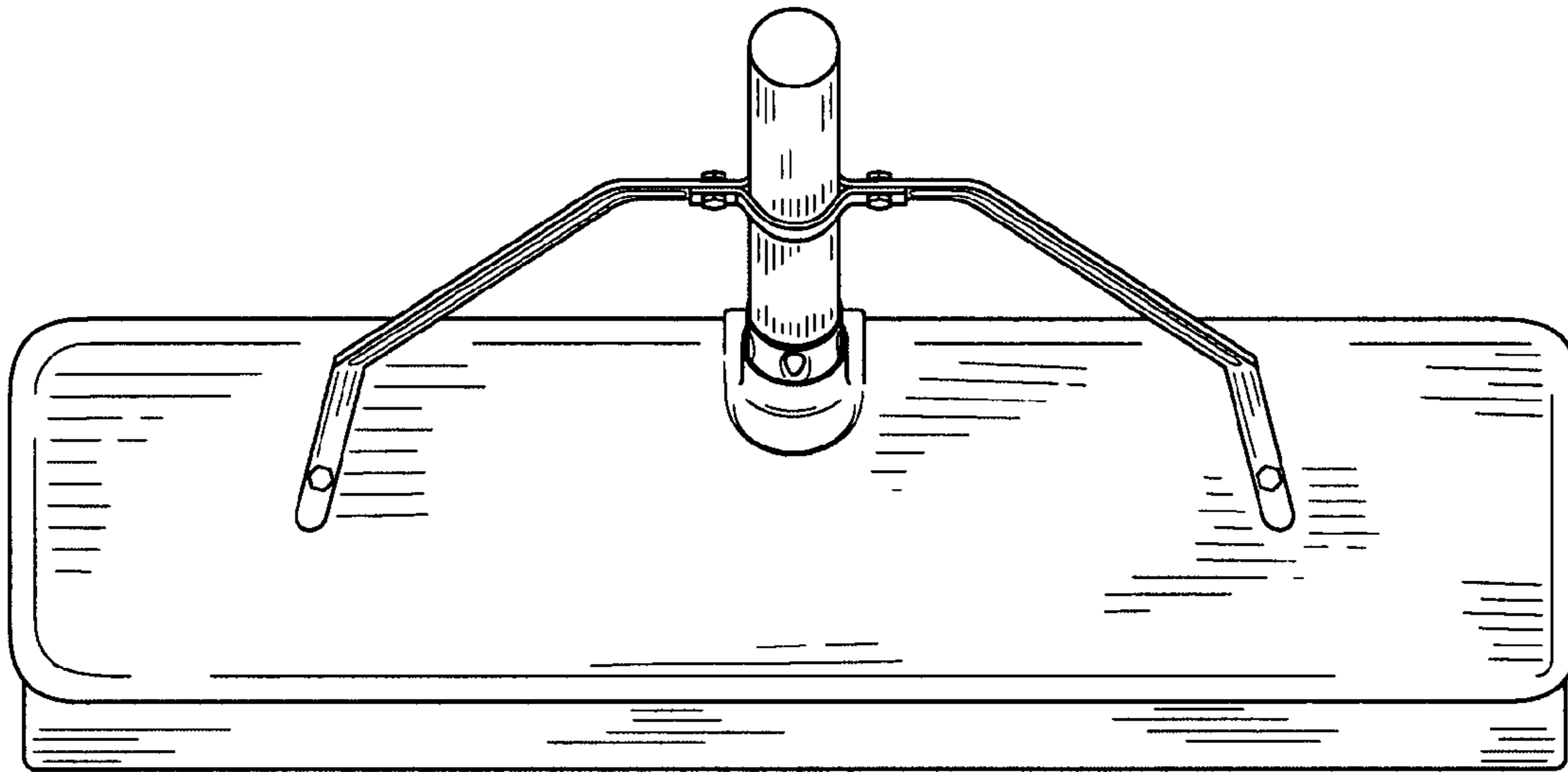


FIG. 6

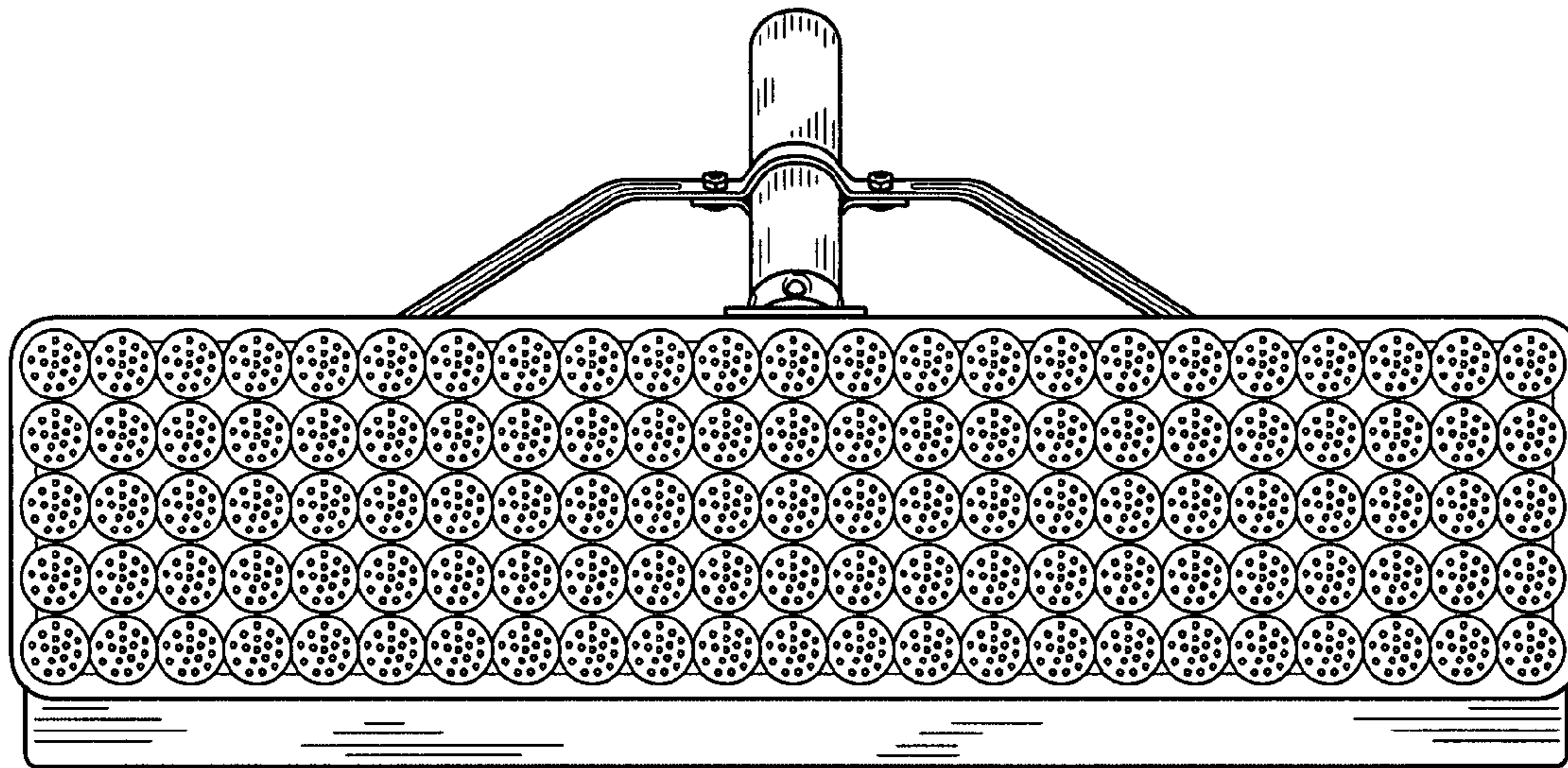


FIG. 7