



US00D545057S

(12) **United States Design Patent**
Cyr

(10) **Patent No.:** **US D545,057 S**

(45) **Date of Patent:** **** Jun. 26, 2007**

(54) **BACKPACK FOR PHOTOGRAPHIC EQUIPMENT**

(75) Inventor: **Ryan Cyr**, Hidden Hills, CA (US)

(73) Assignee: **Tamrac, Inc.**, Chatsworth, CA (US)

(**) Term: **14 Years**

(21) Appl. No.: **29/227,159**

(22) Filed: **Apr. 6, 2005**

(51) **LOC (8) Cl.** **03-01**

(52) **U.S. Cl.** **D3/217; D3/268**

(58) **Field of Classification Search** D3/216,
D3/217, 221, 254, 263, 267-268, 273, 276,
D3/287, 289, 293, 301, 900; 224/153, 257,
224/259

See application file for complete search history.

(56) **References Cited**

U.S. PATENT DOCUMENTS

| | | | | | | |
|--------------|----|---|---------|------------------|-------|-----------|
| D300,340 | S | * | 3/1989 | Falconer | | D24/110.5 |
| 4,884,731 | A | * | 12/1989 | Sibley | | 224/651 |
| D375,622 | S | * | 11/1996 | Croft | | D3/217 |
| 5,779,121 | A | * | 7/1998 | Capwell | | 224/655 |
| D396,952 | S | * | 8/1998 | Liu | | D3/216 |
| D418,972 | S | * | 1/2000 | Gold | | D3/217 |
| D420,792 | S | * | 2/2000 | Sakelliou et al. | | D3/216 |
| D465,329 | S | * | 11/2002 | Hassett | | D3/267 |
| 6,619,519 | B1 | * | 9/2003 | Nix et al. | | 224/153 |
| D482,864 | S | * | 12/2003 | Hillman | | D3/267 |
| D483,179 | S | * | 12/2003 | Fair | | D3/267 |
| 6,712,249 | B2 | * | 3/2004 | Magnusson et al. | | 224/576 |
| D489,174 | S | * | 5/2004 | Shigenaka et al. | | D3/217 |
| D517,801 | S | * | 3/2006 | Woo | | D3/217 |
| 2002/0148871 | A1 | * | 10/2002 | Nakano et al. | | 224/576 |

FOREIGN PATENT DOCUMENTS

| | | | |
|----|----------------|---|--------|
| EM | 000482807-0001 | * | 2/2006 |
| GB | 2035309 | * | 3/1995 |

* cited by examiner

Primary Examiner—Carol Rademaker
Assistant Examiner—Anna Burmeister
(74) *Attorney, Agent, or Firm*—Thomas I. Rozsa

(57) **CLAIM**

The ornamental design for a backpack for photographic equipment, as shown and described.

DESCRIPTION

FIG. 1 is a top, front, left side perspective view of the backpack for photographic equipment, with the cinch straps and waist straps shown in an open, unfastened condition, showing my new design;

FIG. 2 is a front elevational view thereof, with the cinch straps and waist straps shown in a closed condition;

FIG. 3 is a rear elevational view thereof;

FIG. 4 is a right side elevational view thereof, with the cinch straps and waist straps shown in an open, unfastened condition;

FIG. 5 is a left side elevational view thereof;

FIG. 6 is a top plan view thereof, with the cinch straps and waist straps shown in an open, fastened condition;

FIG. 7 is a bottom plan view thereof;

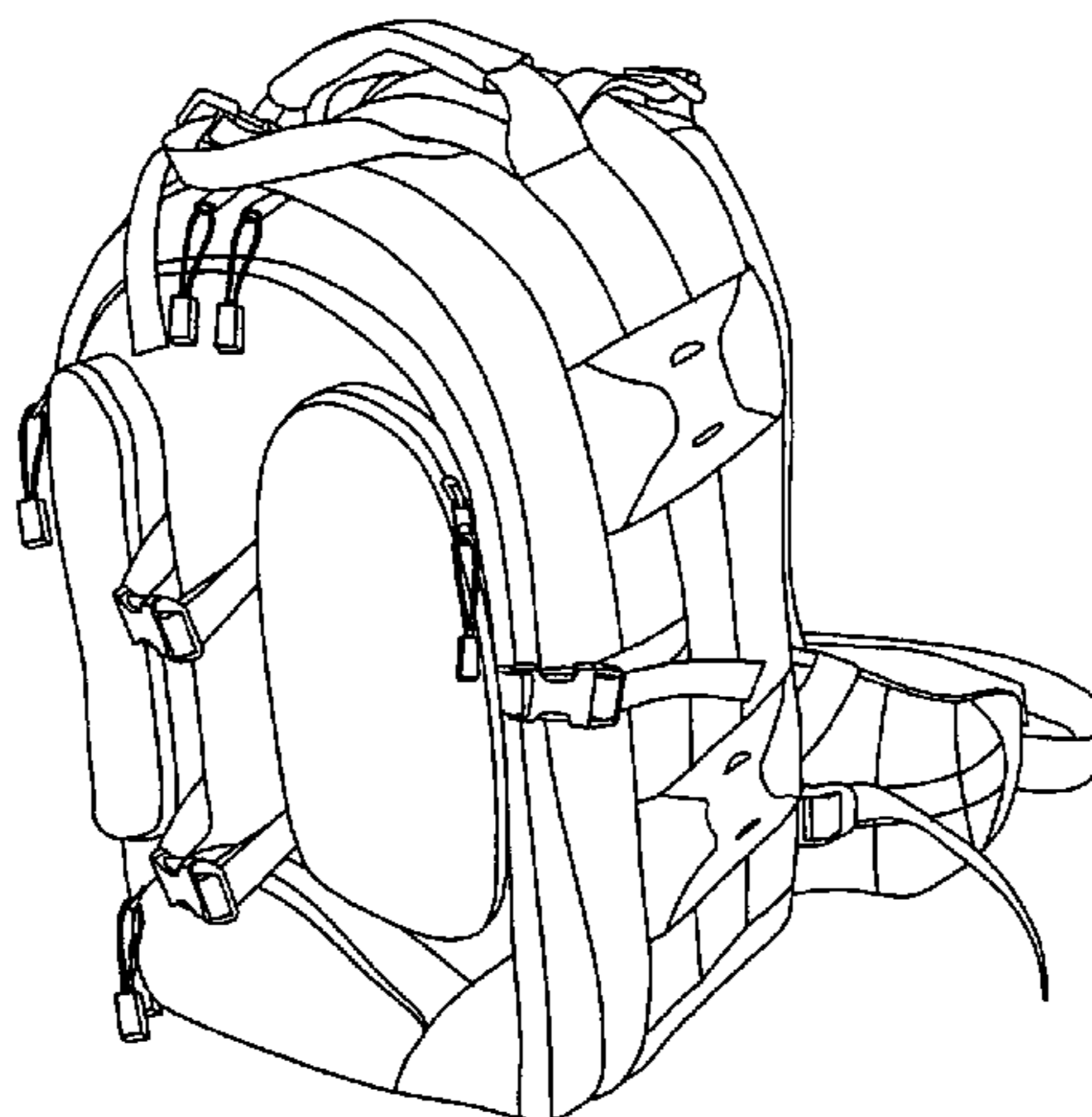
FIG. 8 is a top, front, left side perspective view, with the pockets shown in an open condition and the cinch straps and waist straps shown in an open, unfastened condition;

FIG. 9 is a top, front, left side perspective view thereof, with unclaimed photographic tripod equipment shown in broken lines; and,

FIG. 10 is rear elevational view thereof, with the cinch straps and waist straps shown in an open, unfastened condition to expose the cushioning pad, and with the shoulder straps pulled over the top surface to the front for clarity of illustration.

The broken lines shown in the drawings are for illustrative purposes only and form no part of the claimed design.

1 Claim, 4 Drawing Sheets



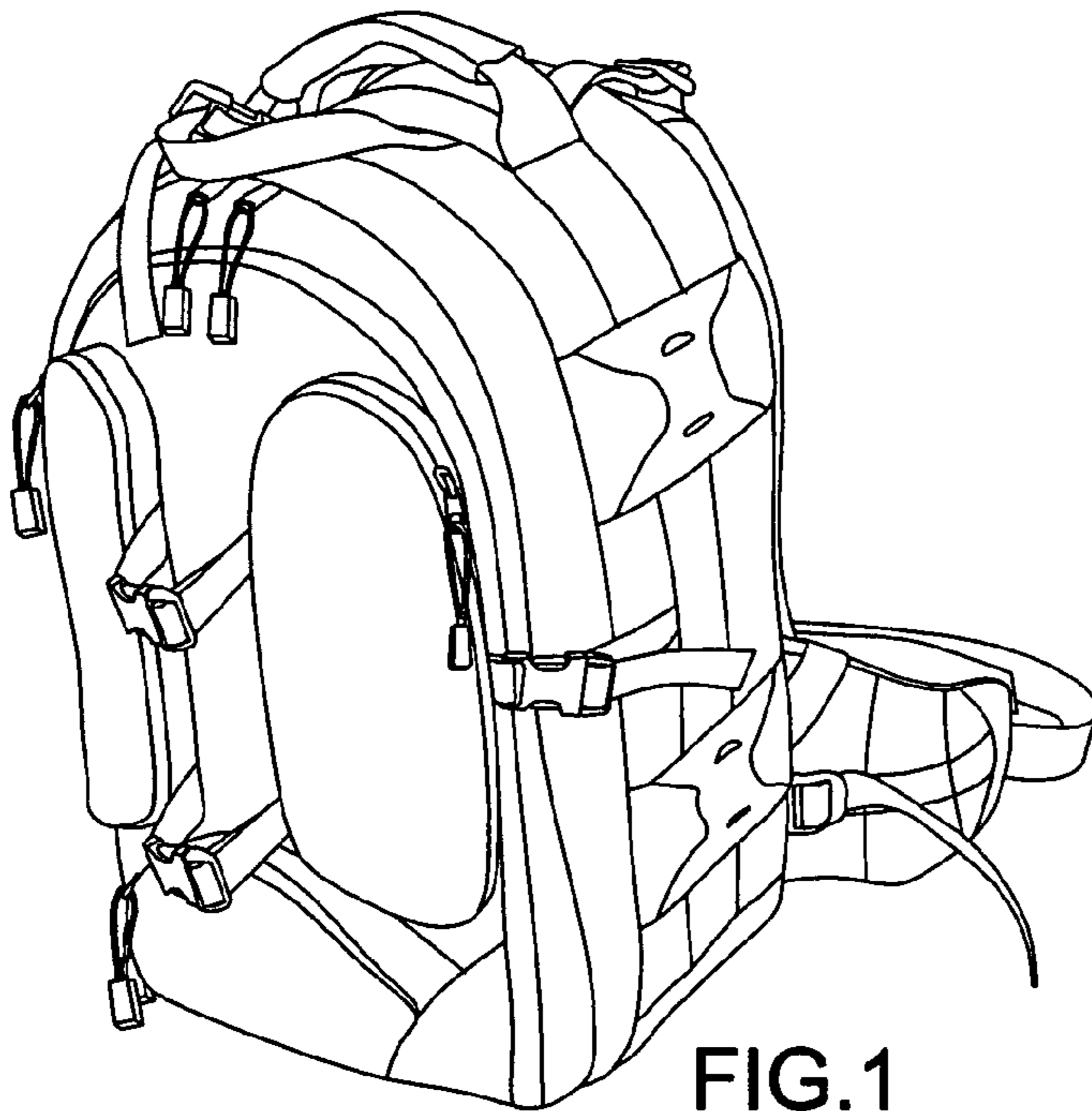


FIG. 1

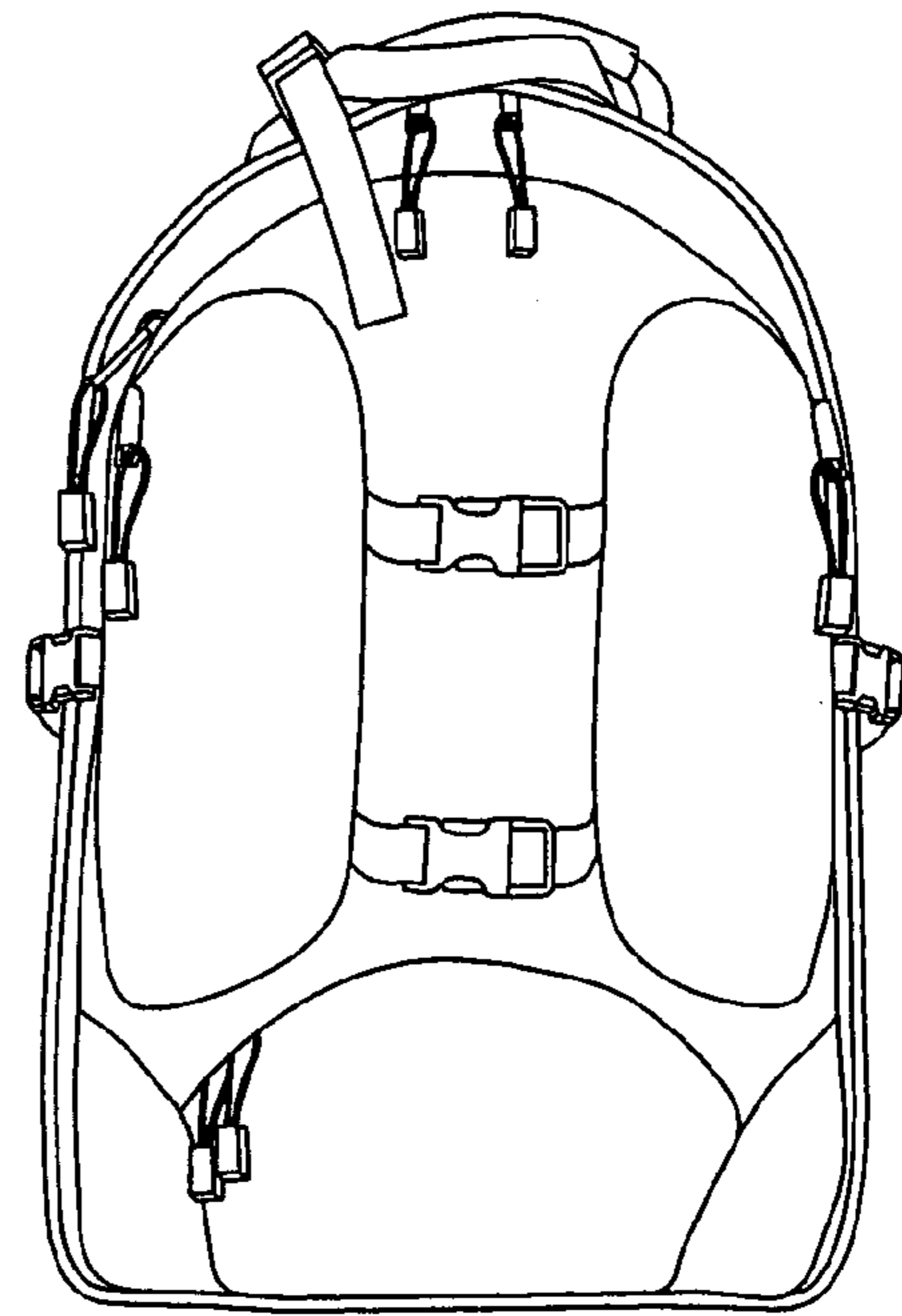


FIG. 2

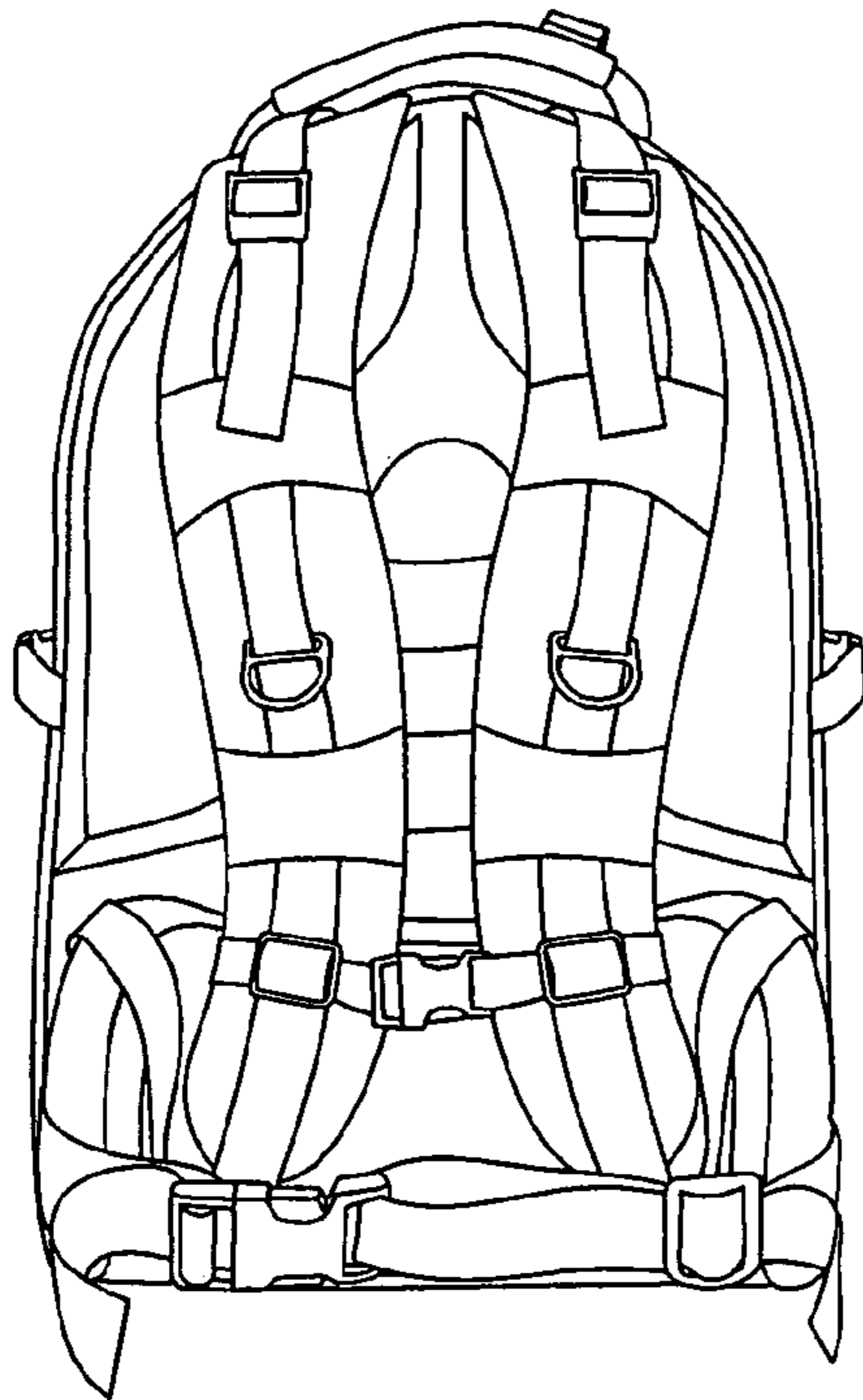


FIG. 3

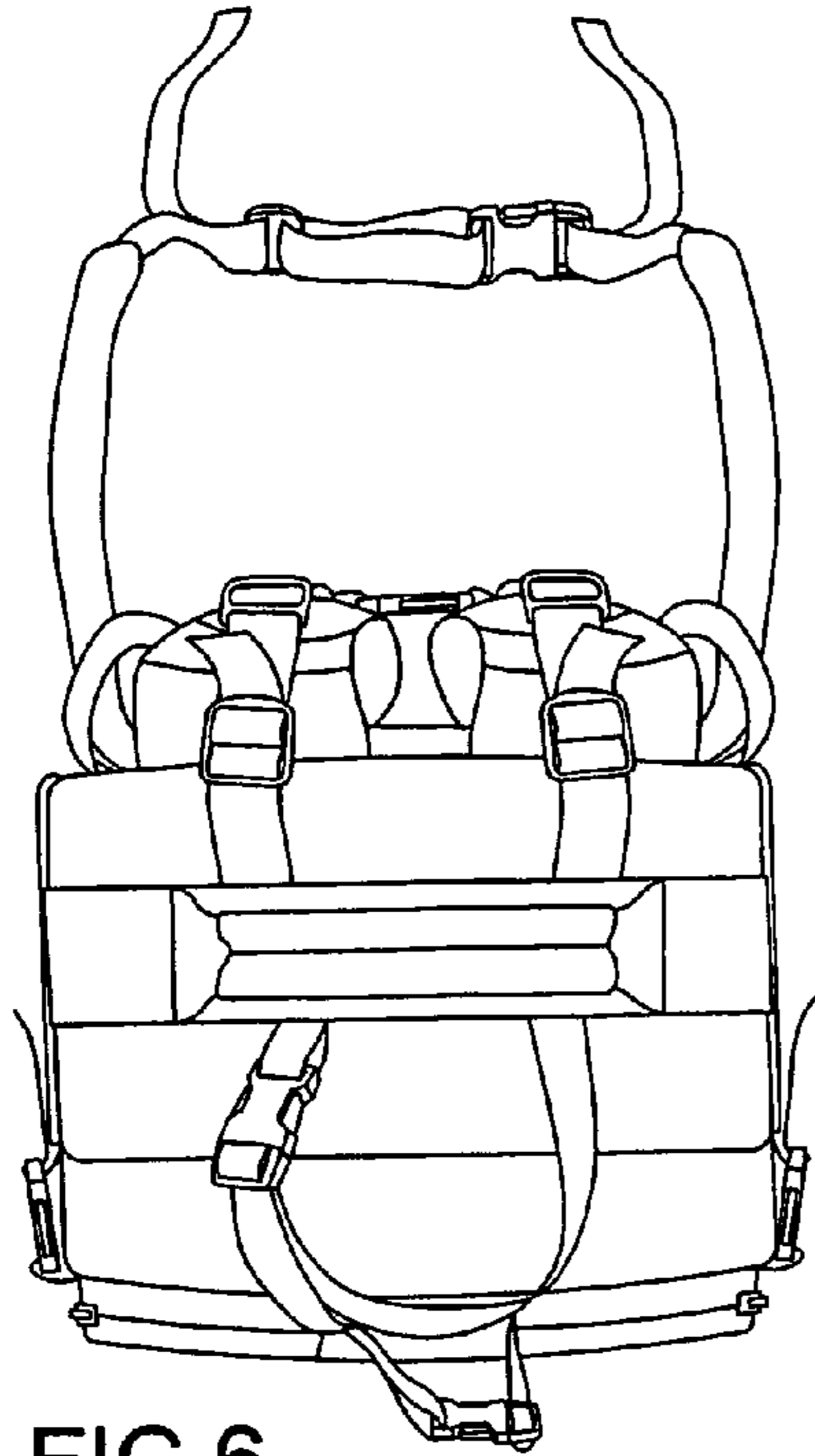


FIG. 6

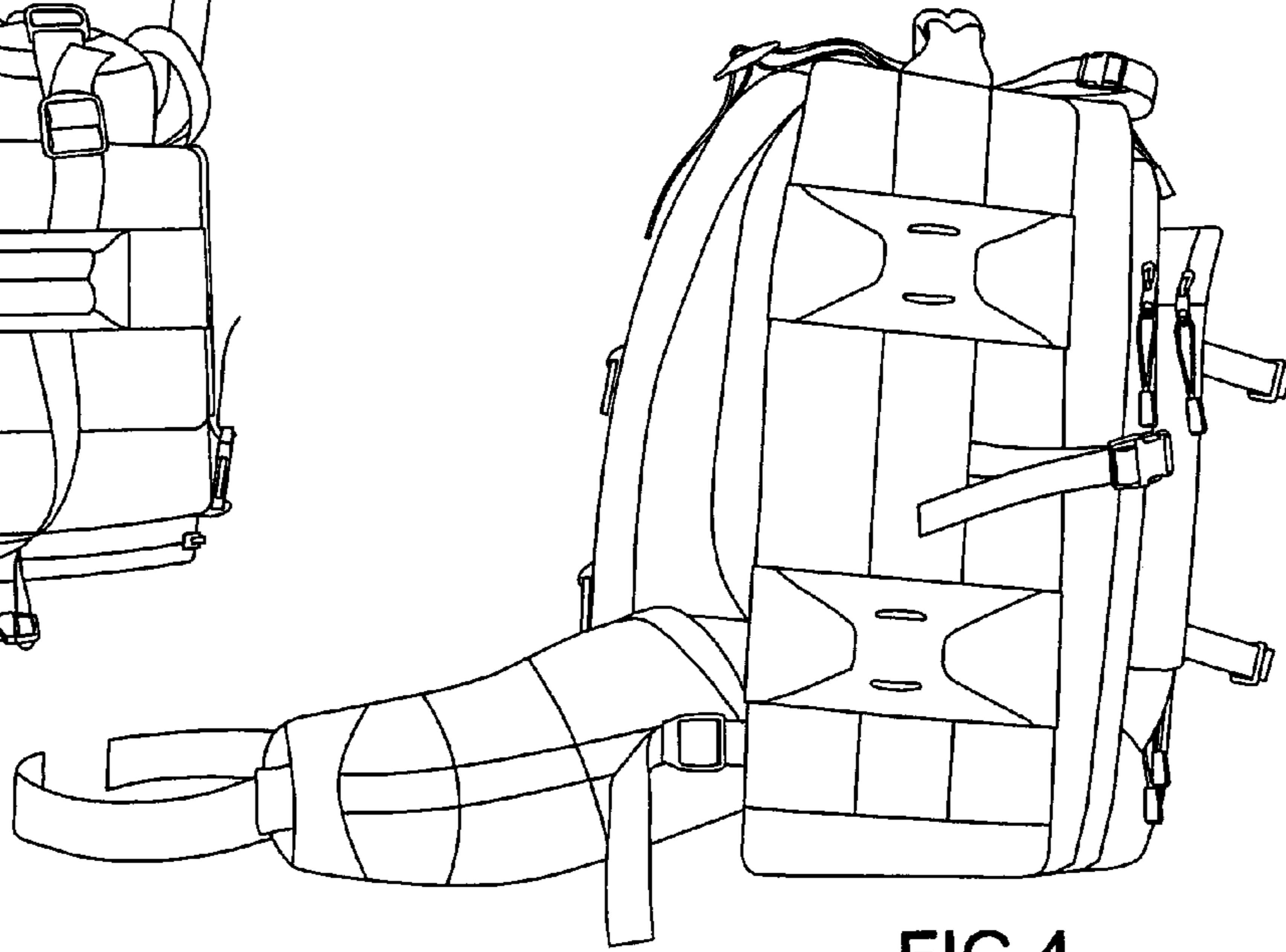


FIG. 4

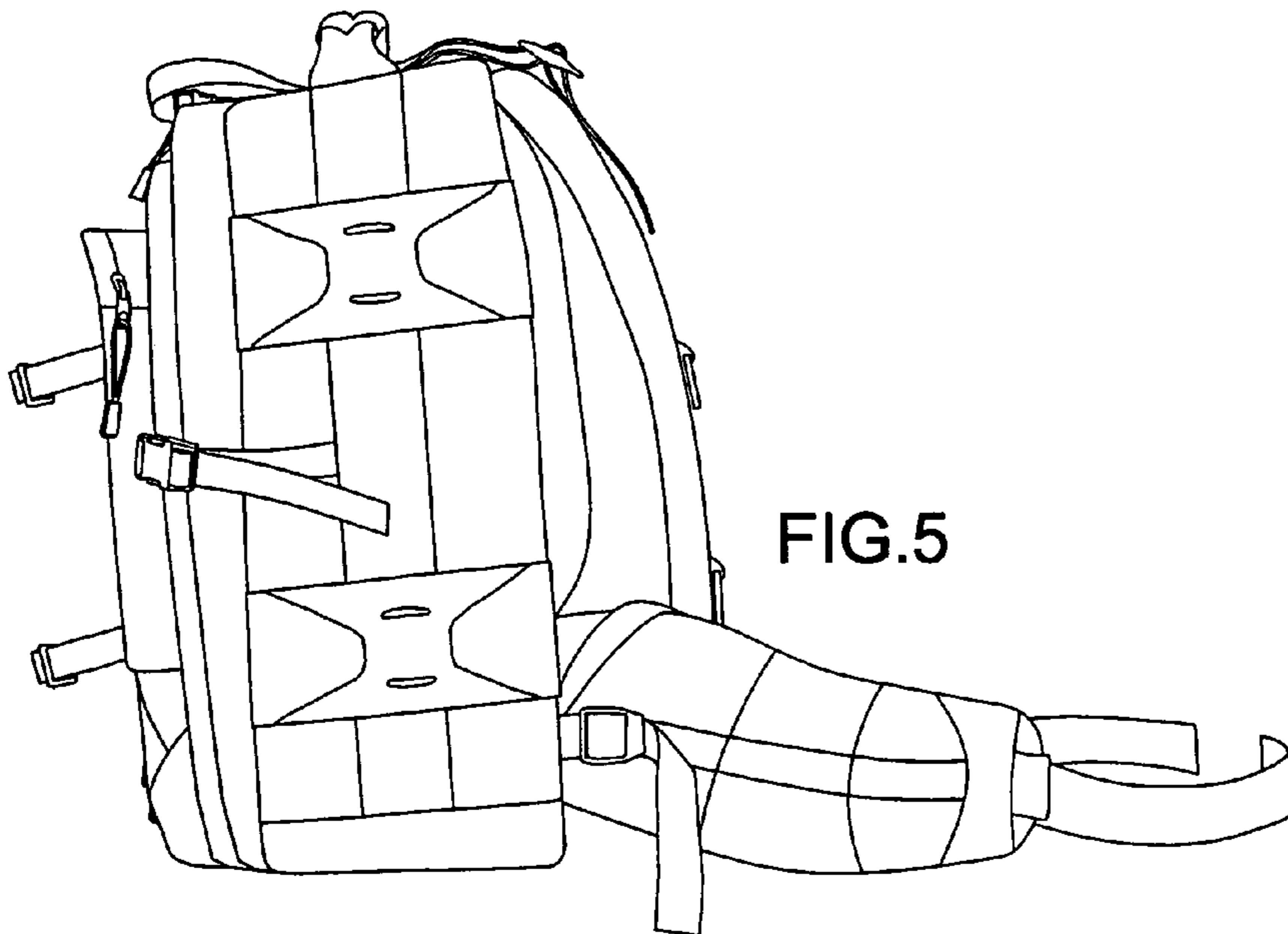


FIG. 5

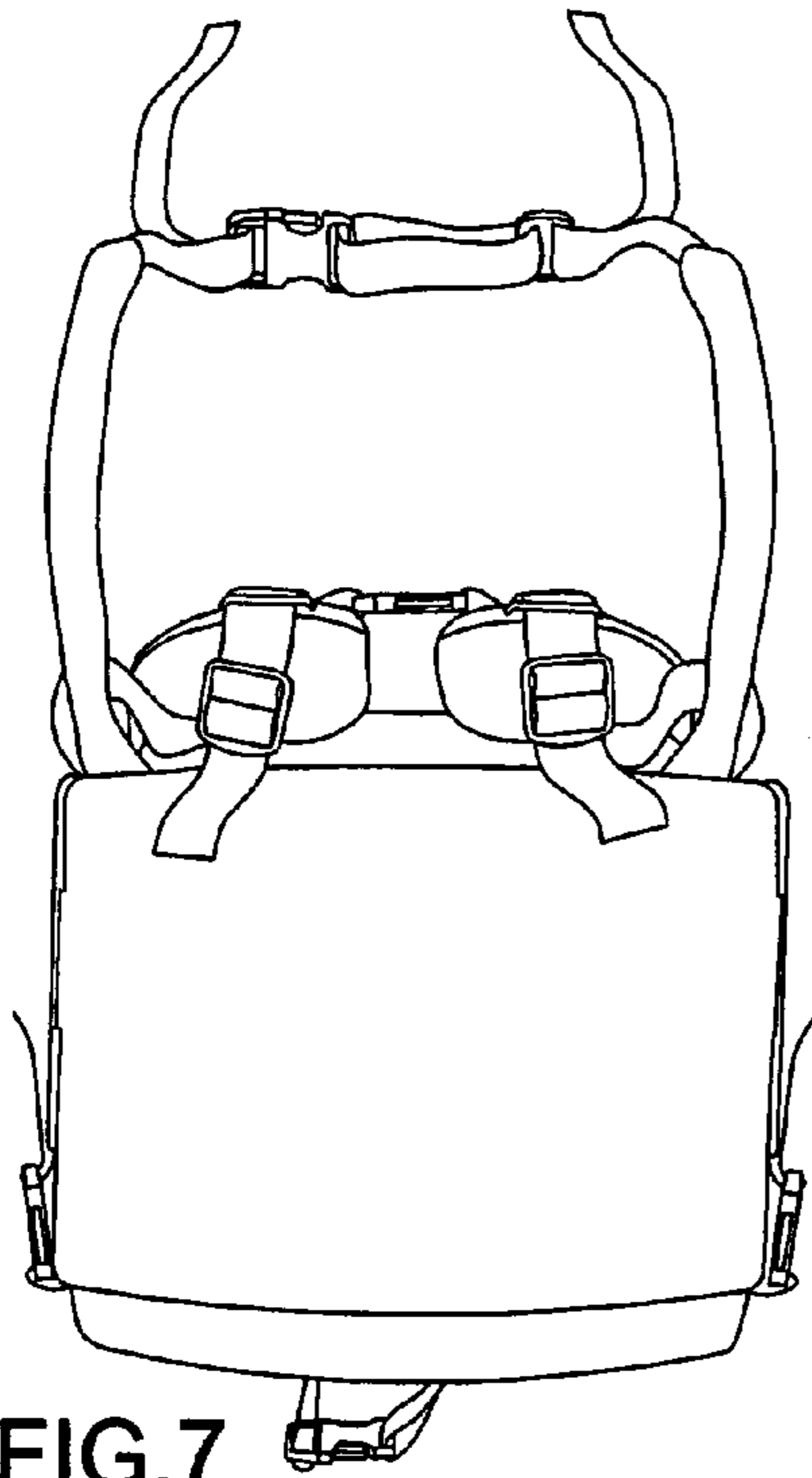


FIG. 7

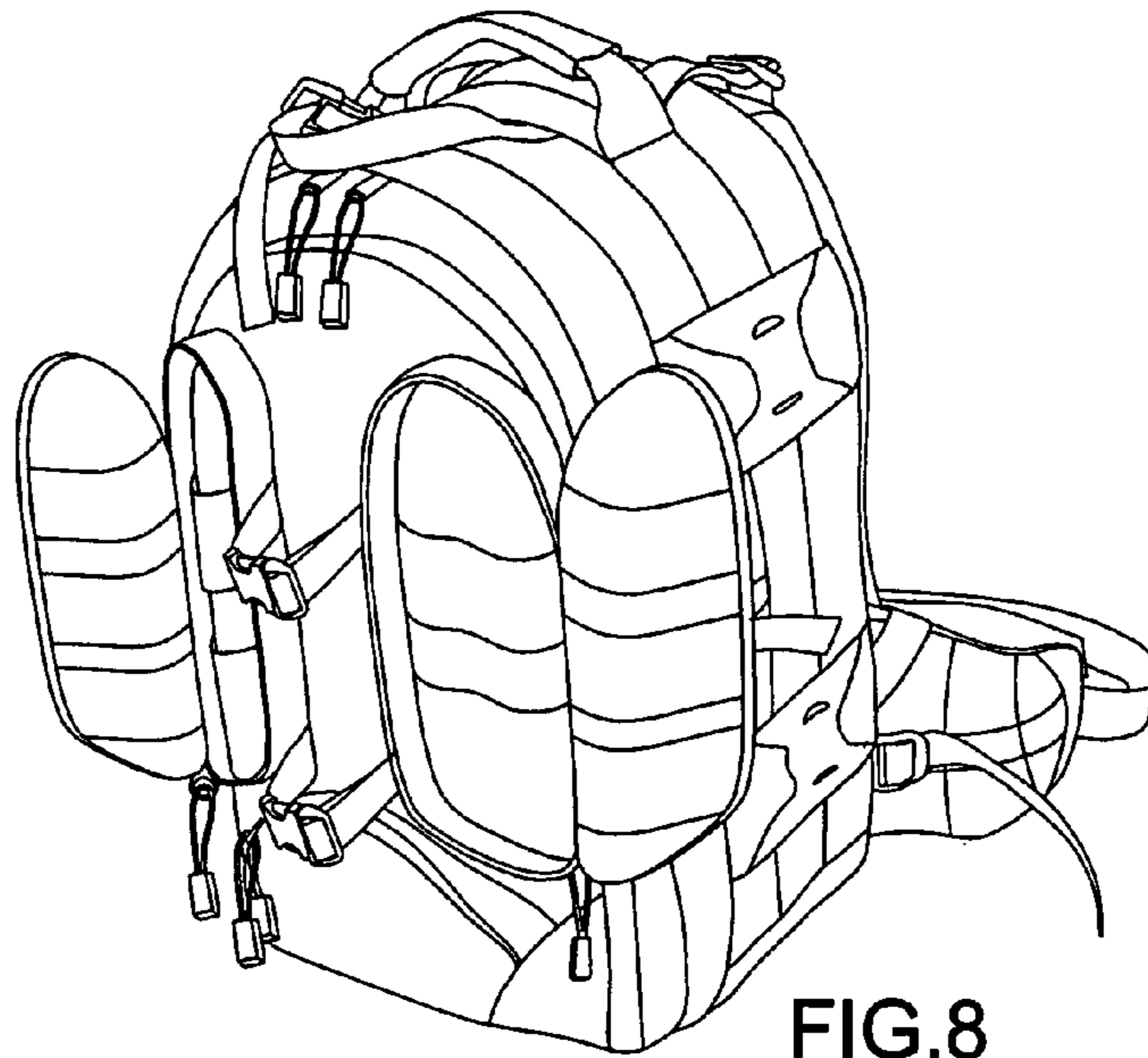


FIG. 8

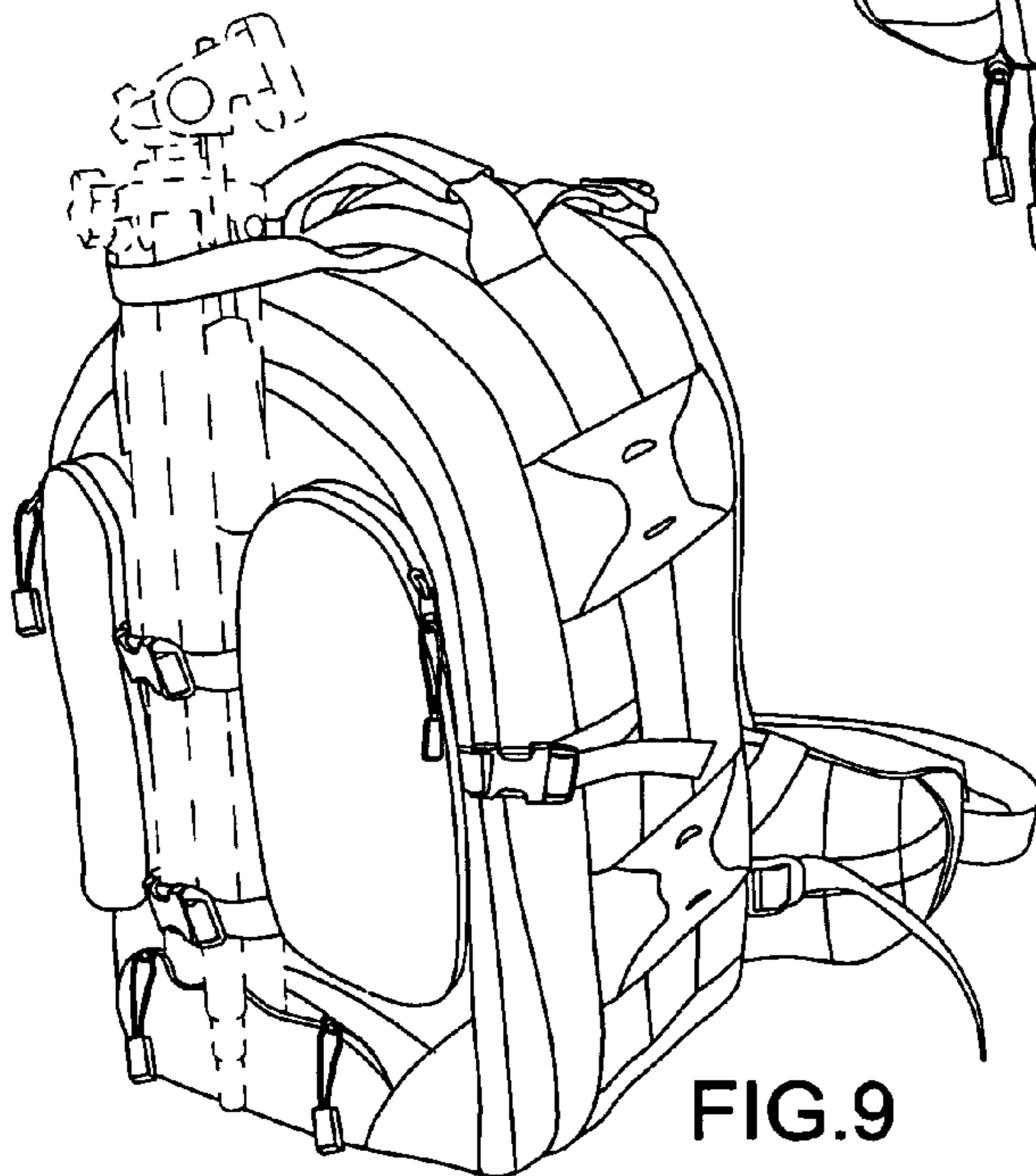


FIG. 9

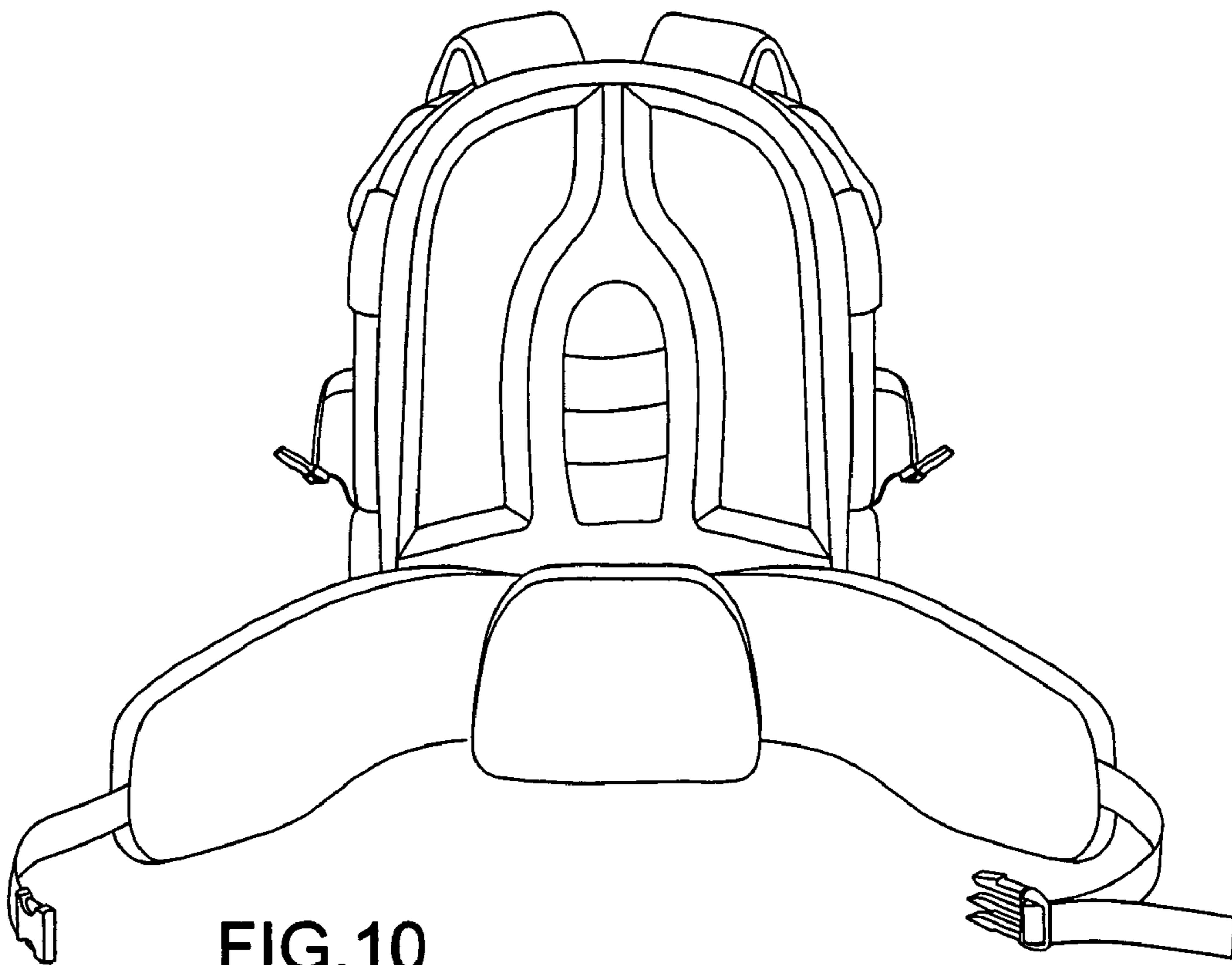


FIG. 10