



US00D545030S

(12) **United States Design Patent**  
**Fukunaga**

(10) **Patent No.:** **US D545,030 S**

(45) **Date of Patent:** **\*\* Jun. 26, 2007**

(54) **VISOR CAP**

(76) **Inventor:** **Andrea Tomita Fukunaga**, c/o Solwear  
Hawaii, LLC 2532 Alaula Way,  
Honolulu, HI (US) 96822

(\*\*) **Term:** **14 Years**

(21) **Appl. No.:** **29/222,809**

(22) **Filed:** **Feb. 3, 2005**

(51) **LOC (8) Cl.** ..... **02-03**

(52) **U.S. Cl.** ..... **D2/882; D2/871**

(58) **Field of Classification Search** ..... D2/742,  
D2/865, 866, 869, 871, 872, 874-877, 879,  
D2/882, 884, 893; 2/12, 171, 175.1, 195.1,  
2/195.2, 209.12, 209.13, 209.3, 336; 24/3.1  
See application file for complete search history.

(56) **References Cited**

**U.S. PATENT DOCUMENTS**

D160,404 S *	10/1950	Levine	.....	D2/866
D266,712 S *	11/1982	Van Valkenburgh	.....	D2/877
D288,026 S *	2/1987	Laughlin	.....	D2/871
D358,248 S *	5/1995	Kercher	.....	D2/893
D366,558 S *	1/1996	Galper et al.	.....	D2/872
6,473,941 B2 *	11/2002	Mei et al.	.....	24/3.1
D469,243 S *	1/2003	Park	.....	D2/882
D494,341 S *	8/2004	Park	.....	D2/876
D496,146 S *	9/2004	Appleberry	.....	D2/876
6,859,945 B1 *	3/2005	Crawford	.....	2/336
D507,860 S *	8/2005	Terry	.....	D2/869

\* cited by examiner

*Primary Examiner*—Robert M. Spear  
*Assistant Examiner*—Mary Ann Calabrese

(74) *Attorney, Agent, or Firm*—Leighton K. Chong

(57) **CLAIM**

The ornamental designs for the visor cap, as shown and described.

**DESCRIPTION**

FIG. 1 is a perspective view of my new design for a visor cap;

FIG. 2 is a left side elevation view of the visor cap thereof;

FIG. 3 is a right side elevation view of the visor cap thereof;

FIG. 4 is a top view of the visor cap thereof;

FIG. 5 is a bottom view of the visor cap thereof;

FIG. 6 is a rear view of the visor cap thereof;

FIG. 7 is a front view of the visor cap thereof;

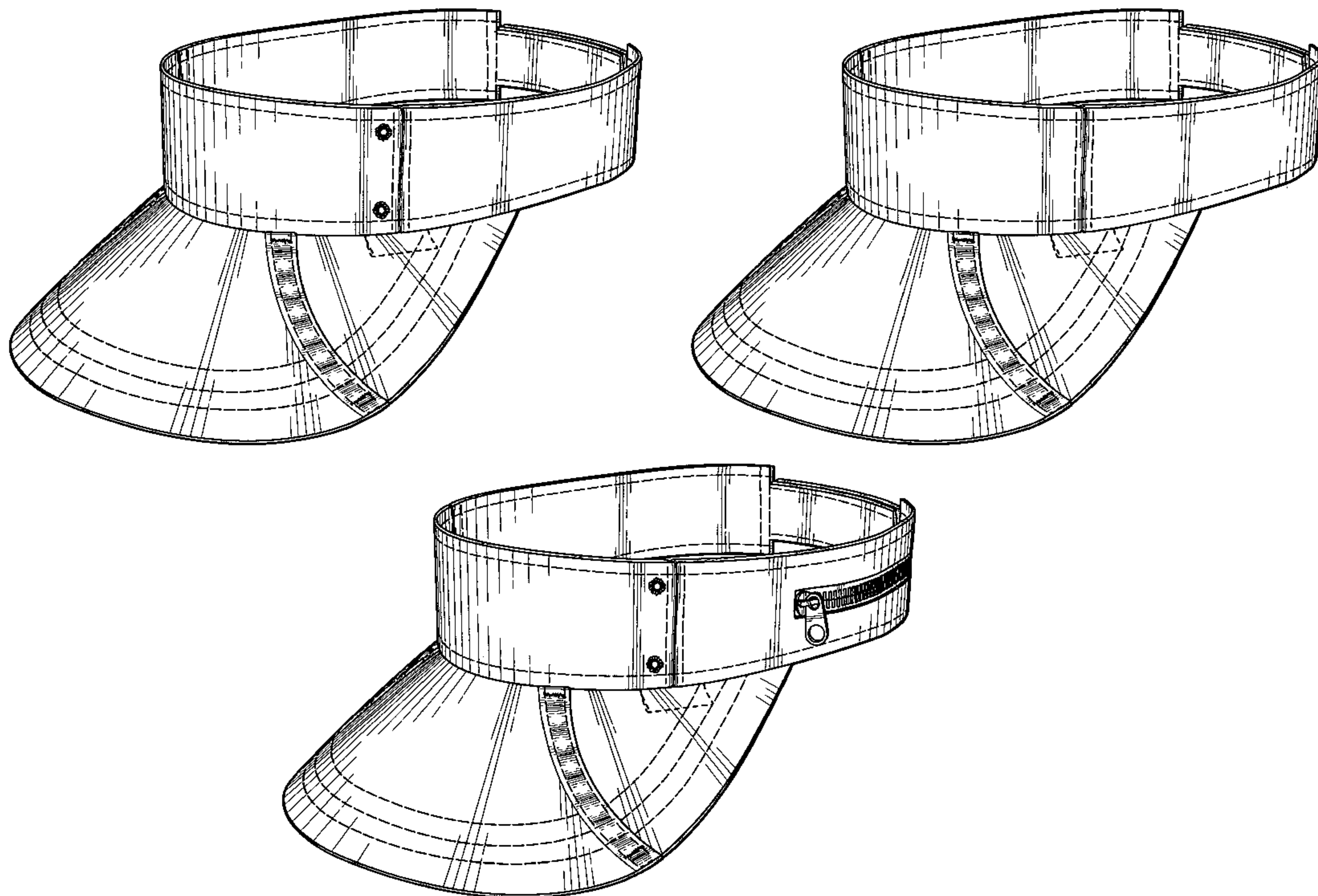
FIG. 8 is a perspective view of a second embodiment of my new design for a visor cap;

FIG. 9 is a perspective view of a third embodiment of my new design for a visor cap; and,

FIG. 10 is a rear view of the third embodiment of my visor cap thereof.

In the drawings, the broken lines on the headband and visor represent stitching forming part of the claimed design. All other broken lines represent environmental structure forming no part of the claim.

**1 Claim, 10 Drawing Sheets**



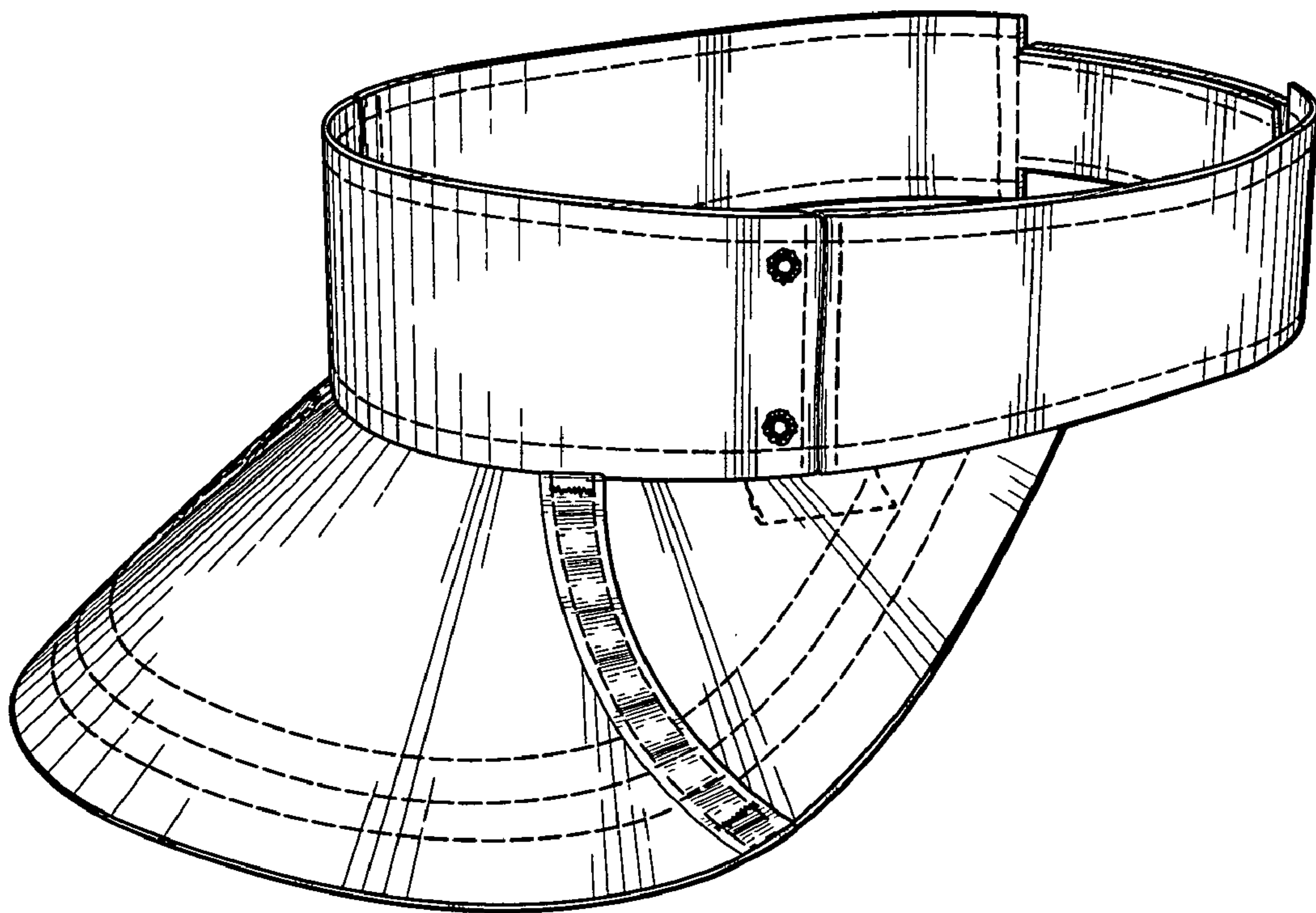


FIG. 1

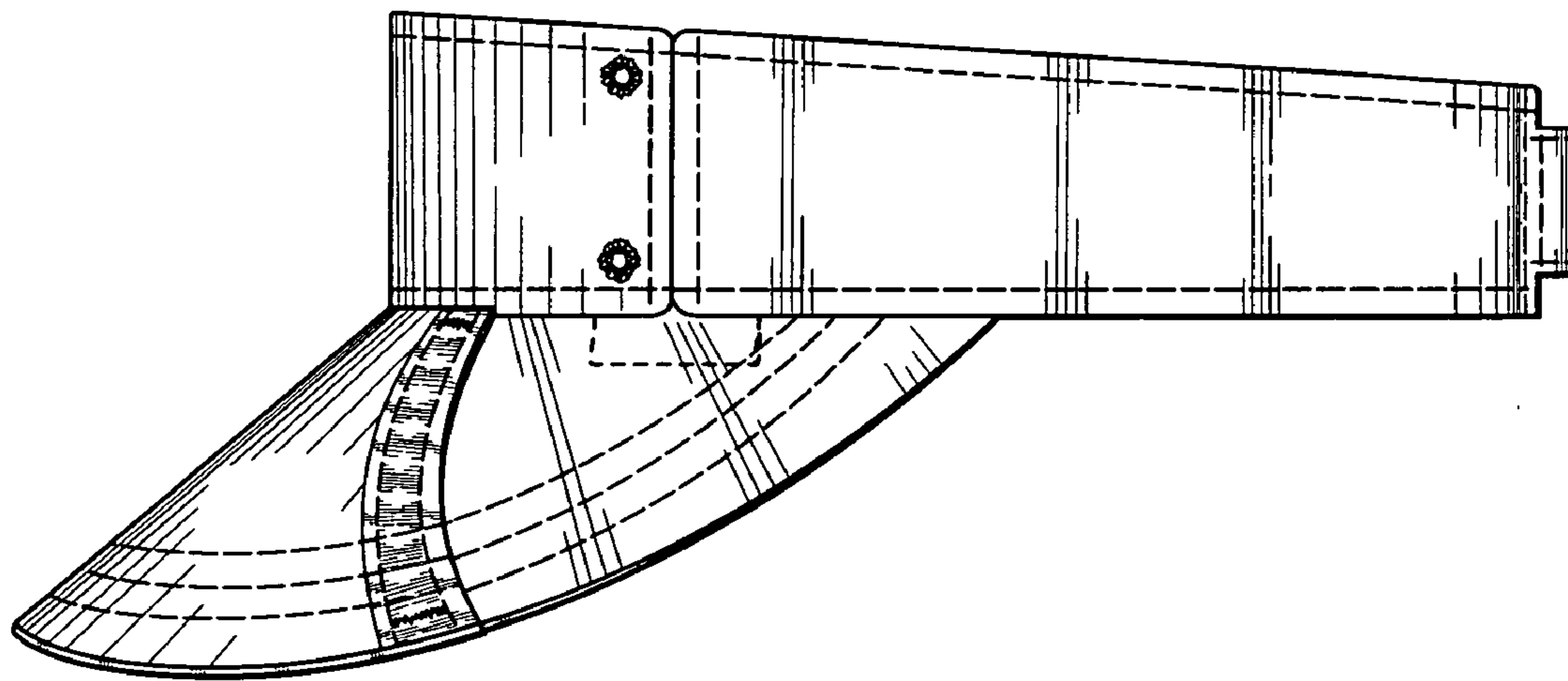


FIG. 2

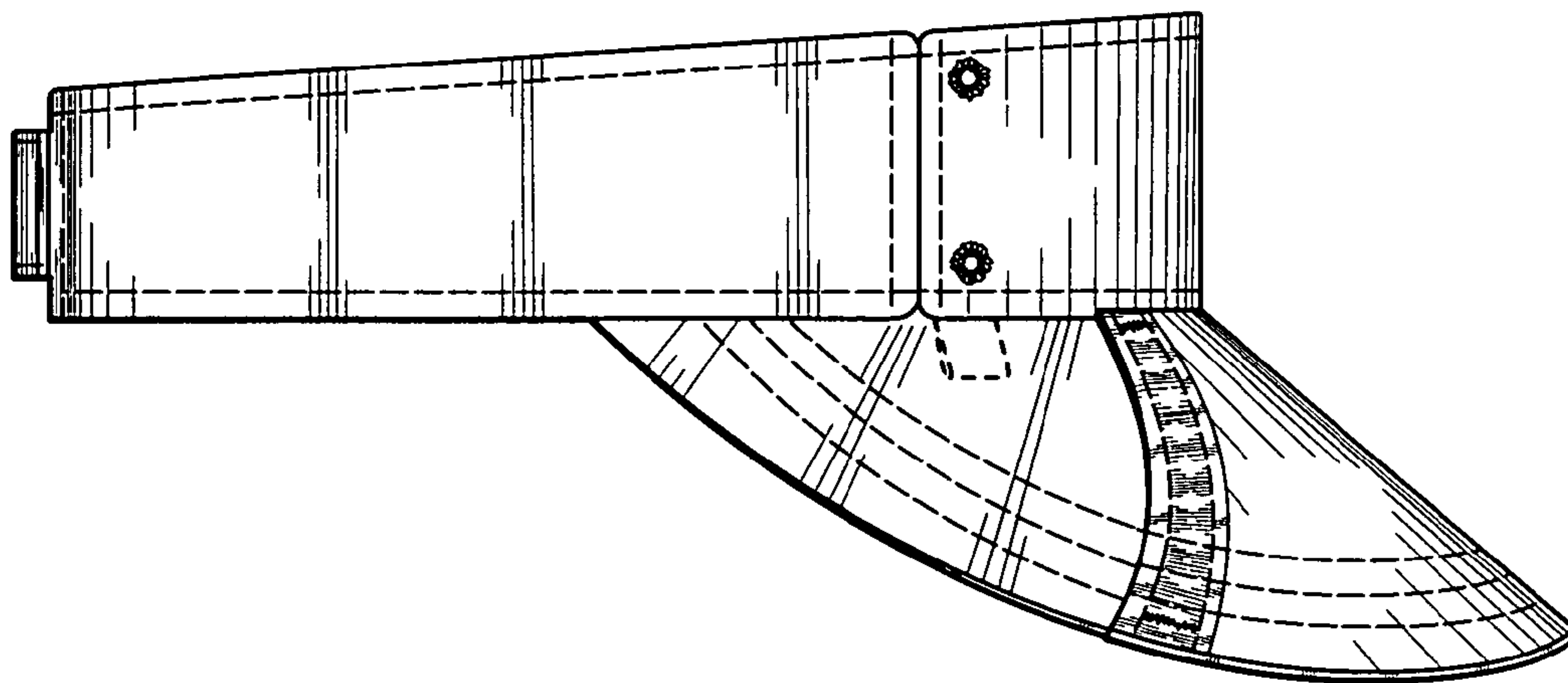


FIG. 3



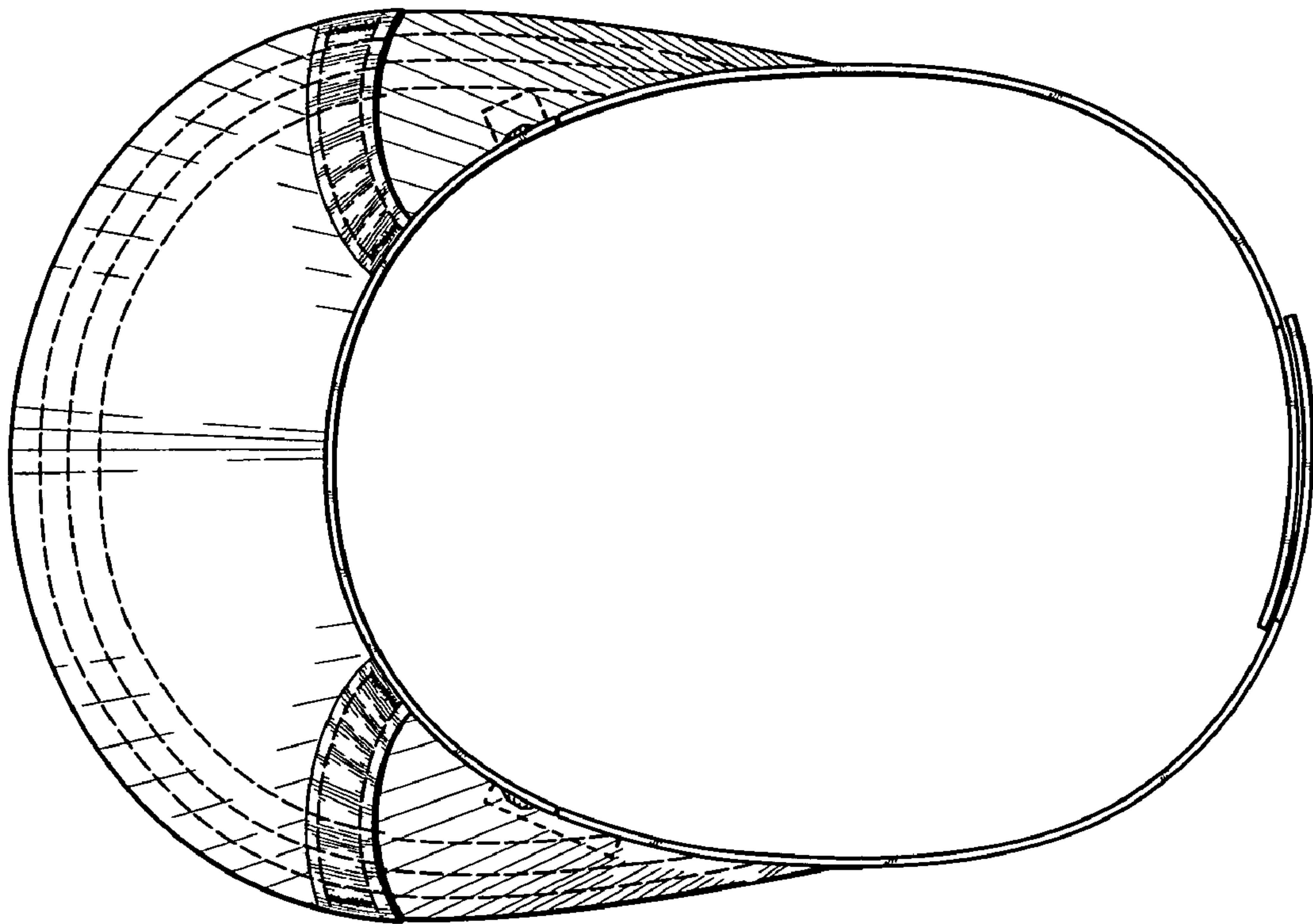


FIG. 4

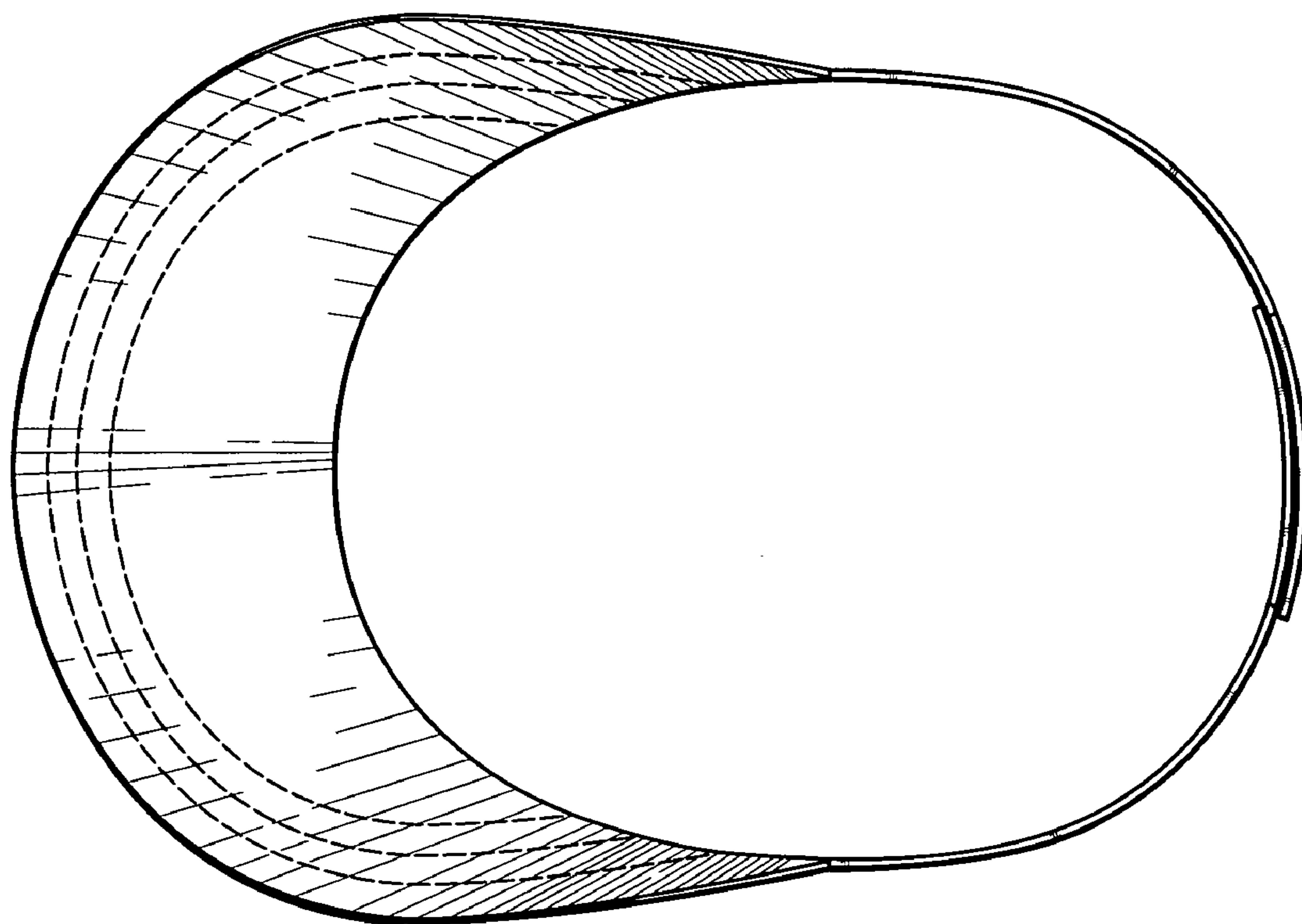


FIG. 5

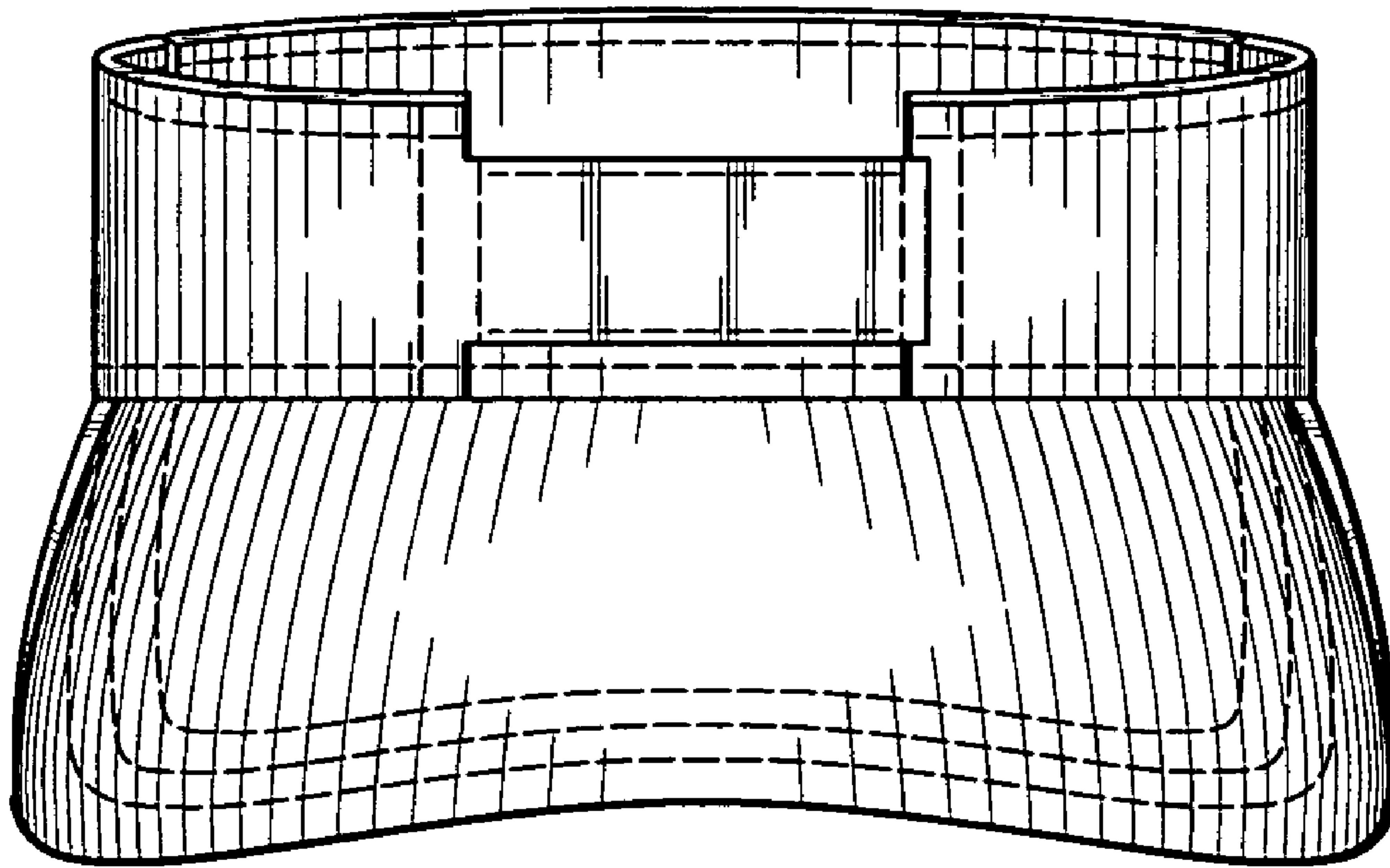


FIG. 6

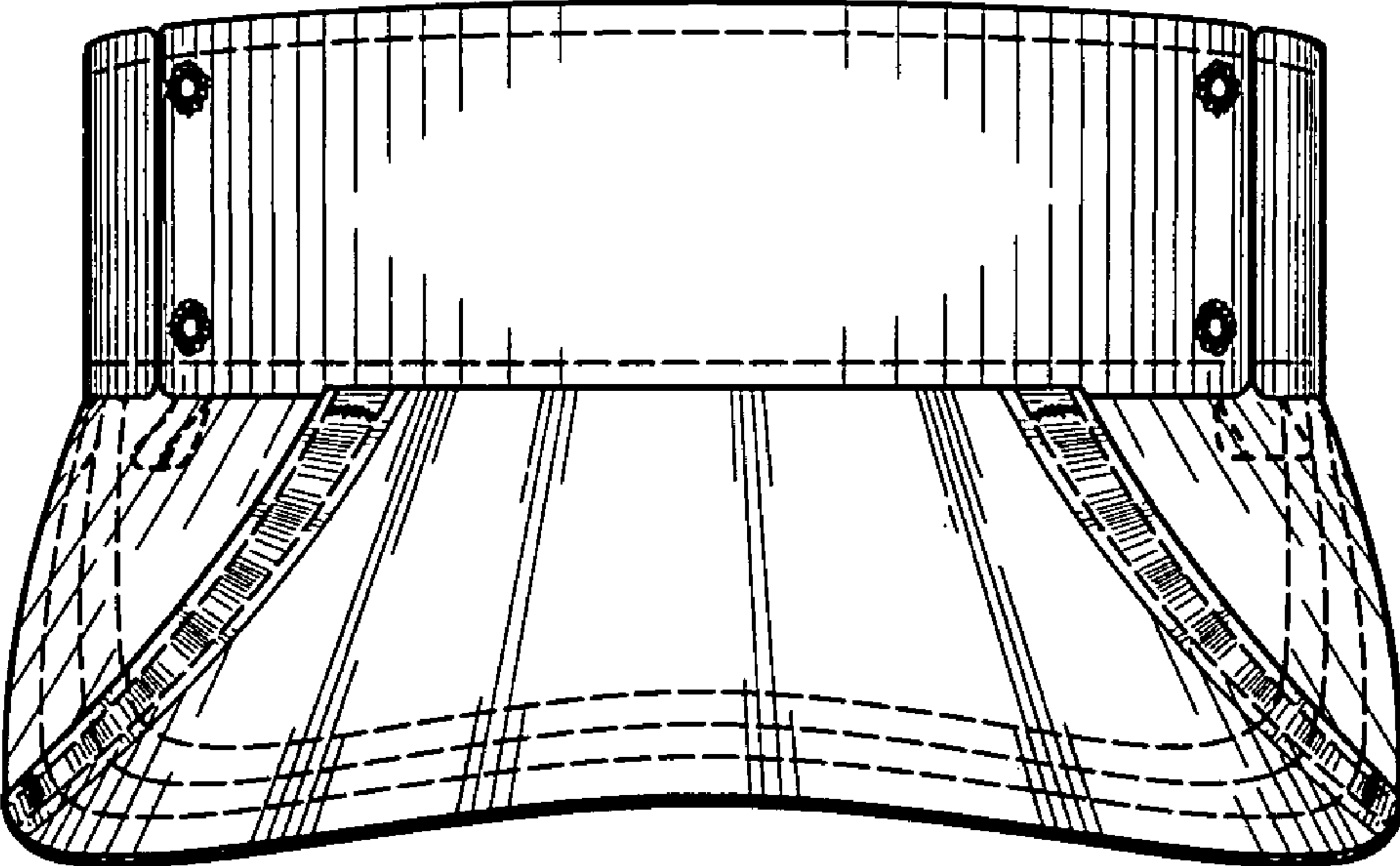


FIG. 7



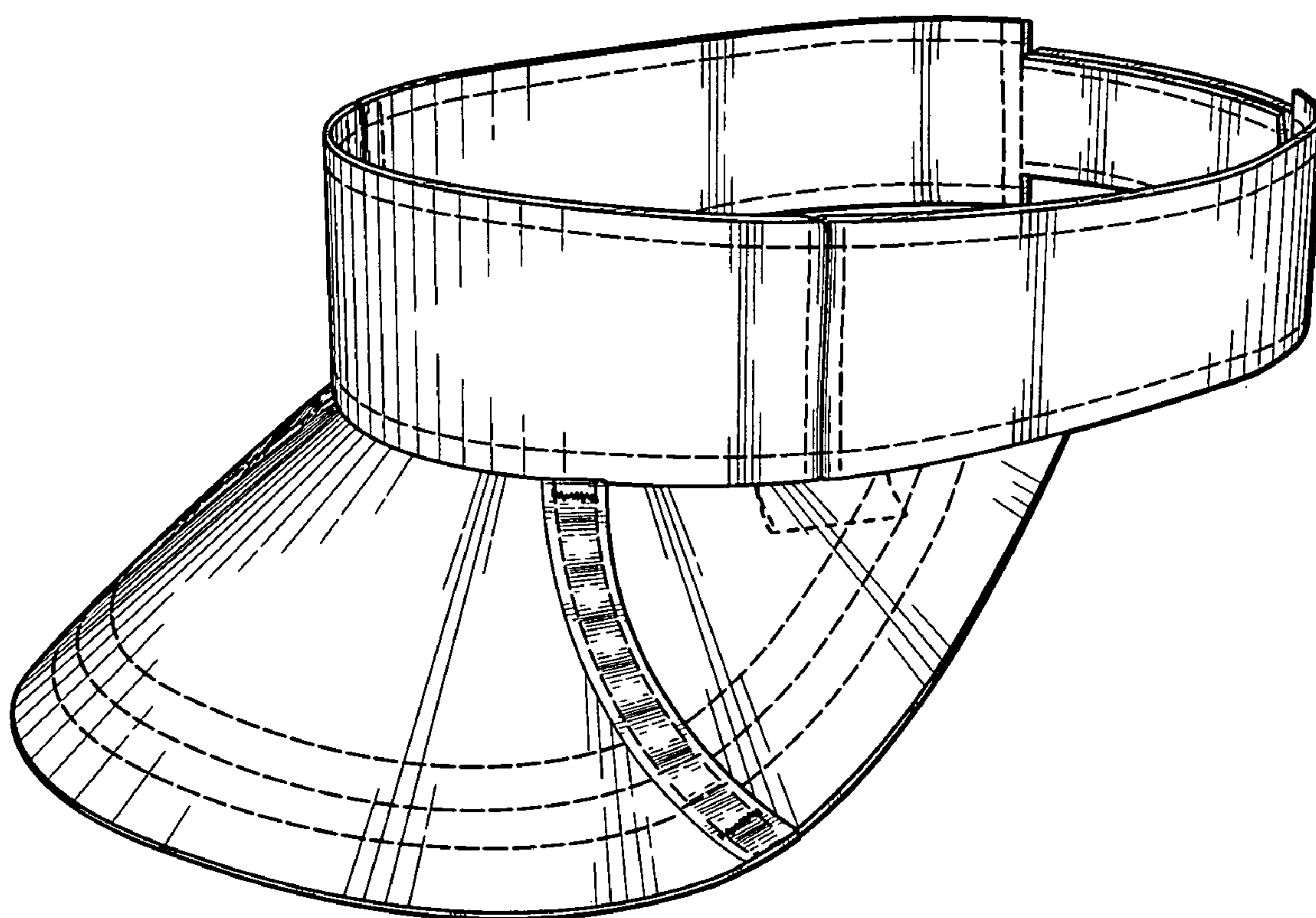


FIG. 8

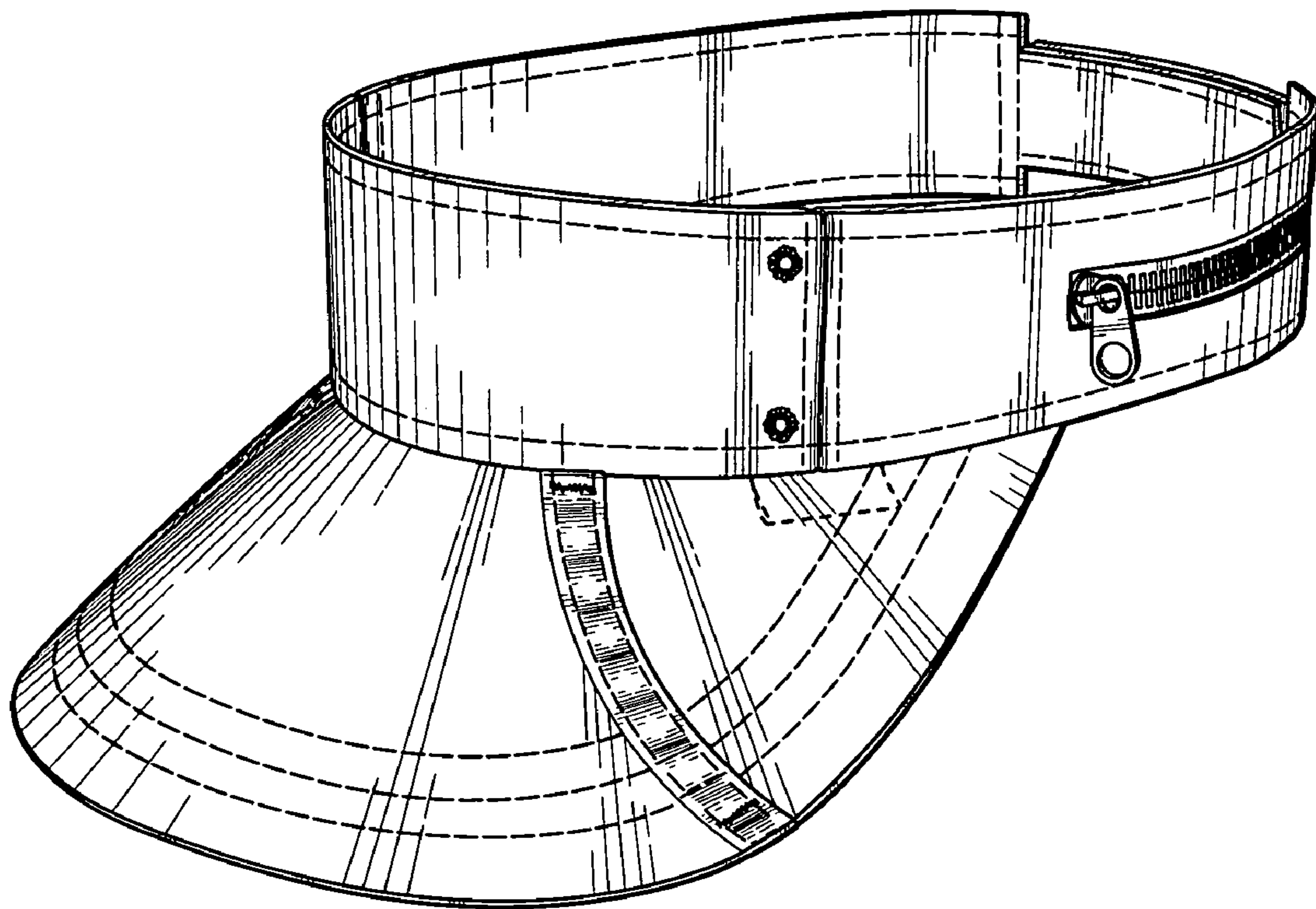


FIG. 9

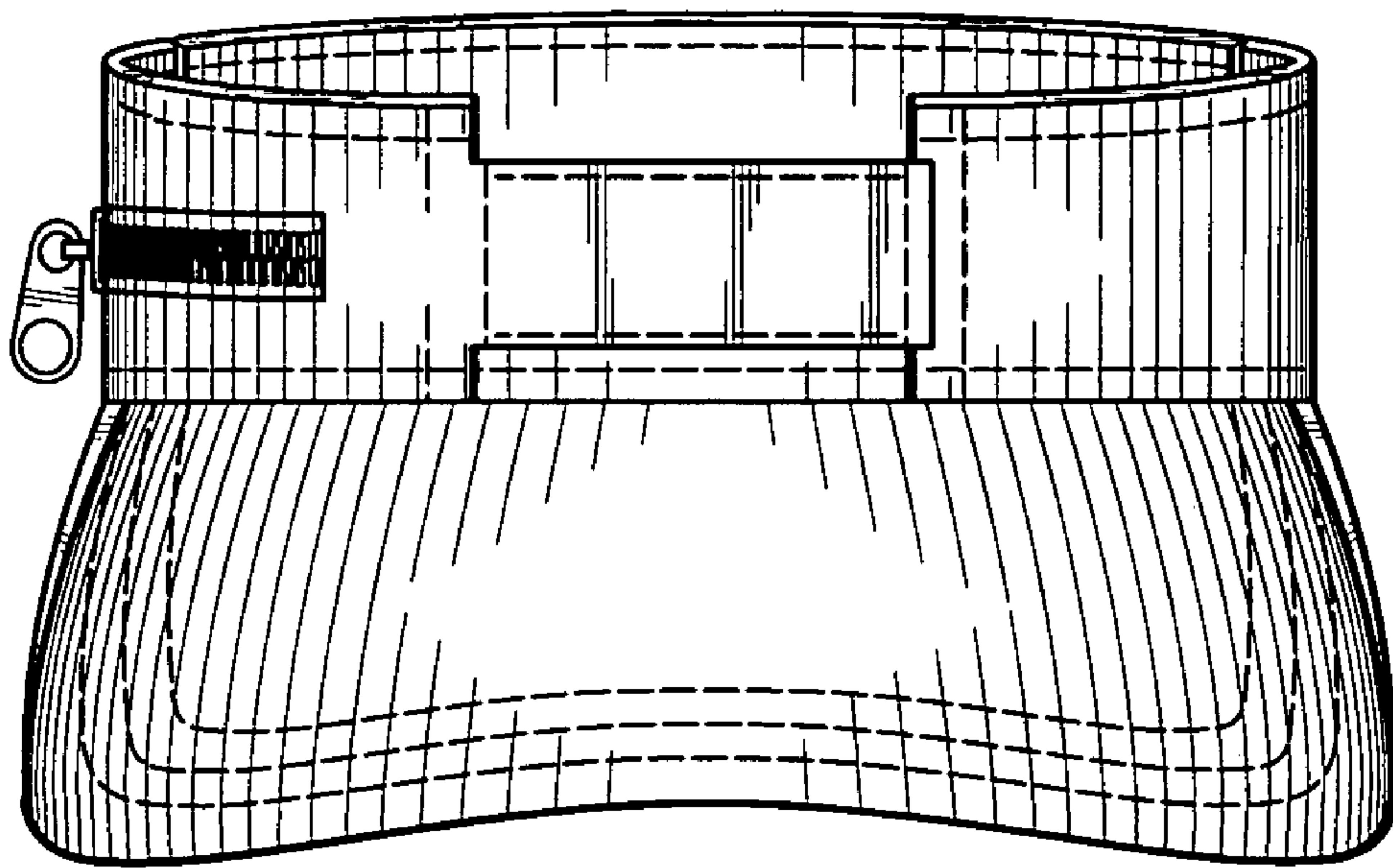


FIG. 10