

US00D545025S

(12) **United States Design Patent**
Elden

(10) **Patent No.:** **US D545,025 S**

(45) **Date of Patent:** **** Jun. 19, 2007**

(54) **COLLAPSIBLE CART WHICH FUNCTIONS AS A TRANSPORTABLE CARRYING BOX**

(76) Inventor: **Richard Elden**, 2909 Oregon Ct., No. C-7, Torrance, CA (US) 90503

(**) Term: **14 Years**

(21) Appl. No.: **29/255,725**

(22) Filed: **Mar. 10, 2006**

(51) **LOC (8) Cl.** **12-02**

(52) **U.S. Cl.** **D34/25**

(58) **Field of Classification Search** D34/12-27;
280/652, 79.2, 47, 34, 35; 16/263; 108/55.3;
312/250; D23/333, 351; D7/347

See application file for complete search history.

(56) **References Cited**

U.S. PATENT DOCUMENTS

D230,257 S *	2/1974	Corini	D34/19
4,824,137 A *	4/1989	Bolden	280/652
D305,822 S *	1/1990	Kolvites et al.	D34/19
D321,071 S *	10/1991	Dickinson	D34/17
D327,967 S *	7/1992	Hikawa	D34/20
D419,230 S *	1/2000	Cicccone	D23/333
D442,756 S *	5/2001	Jarvis et al.	D34/19

* cited by examiner

Primary Examiner—Freda S. Nunn
Assistant Examiner—Kevin K. Rudzinski
(74) *Attorney, Agent, or Firm*—Thomas I. Rozsa

(57) **CLAIM**

The ornamental design for a collapsible cart which functions as a transportable carrying box, as shown and described.

DESCRIPTION

FIG. 1 is a perspective view of a preferred embodiment of the collapsible cart which functions as a transportable carrying box, showing my design.

FIG. 2 is a front elevational view;

FIG. 3 is a rear elevational view;

FIG. 4 is a right side view;

FIG. 5 is a left side view;

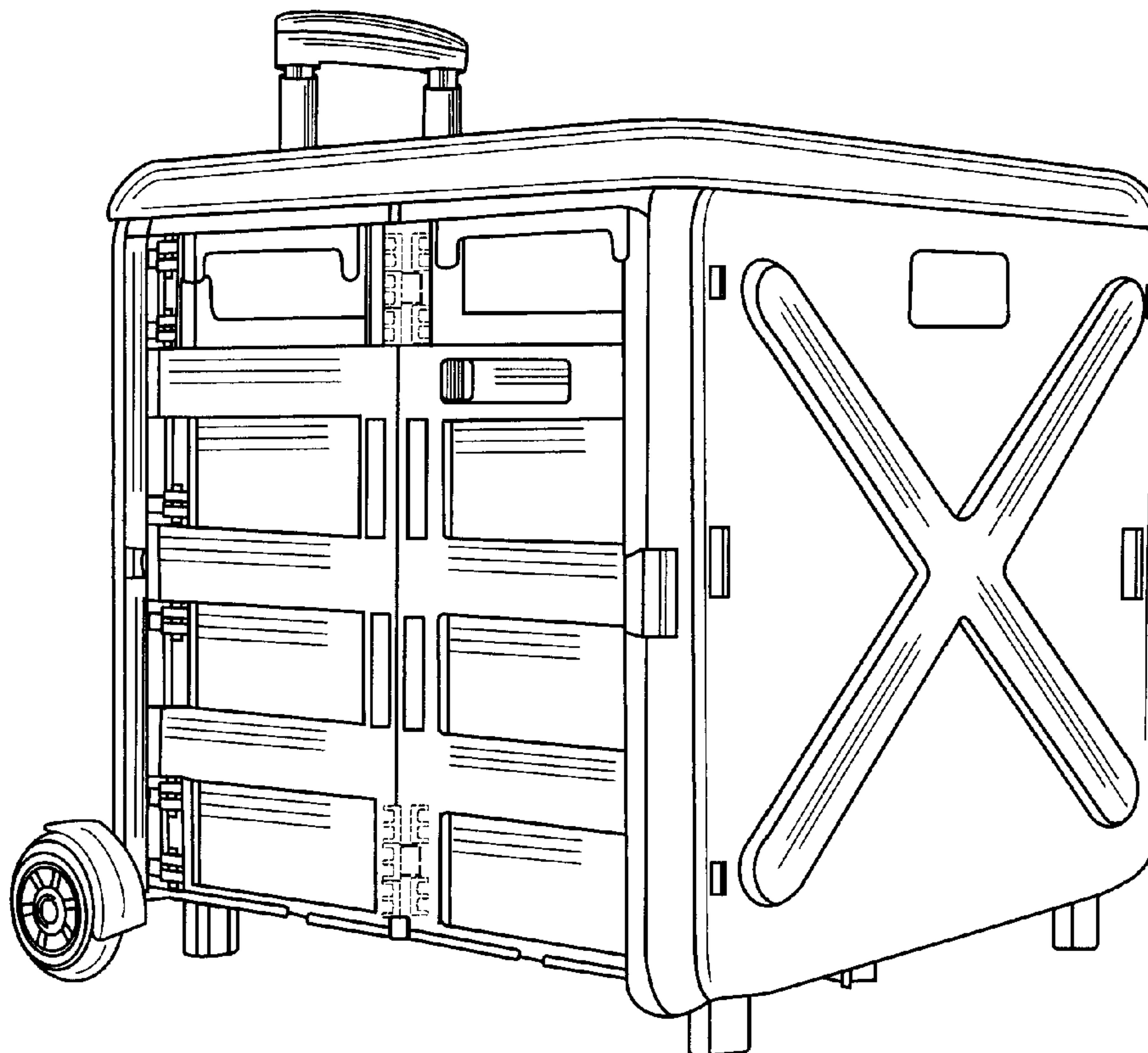
FIG. 6 is a top plan view;

FIG. 7 is a bottom plan view; and,

FIG. 8 is a perspective view showing the collapsible cart which functions as a transportable carrying box in the collapsed condition.

The broken line showing of the hinges is included for the purpose of illustrating only and forms no part of the claimed design.

1 Claim, 8 Drawing Sheets



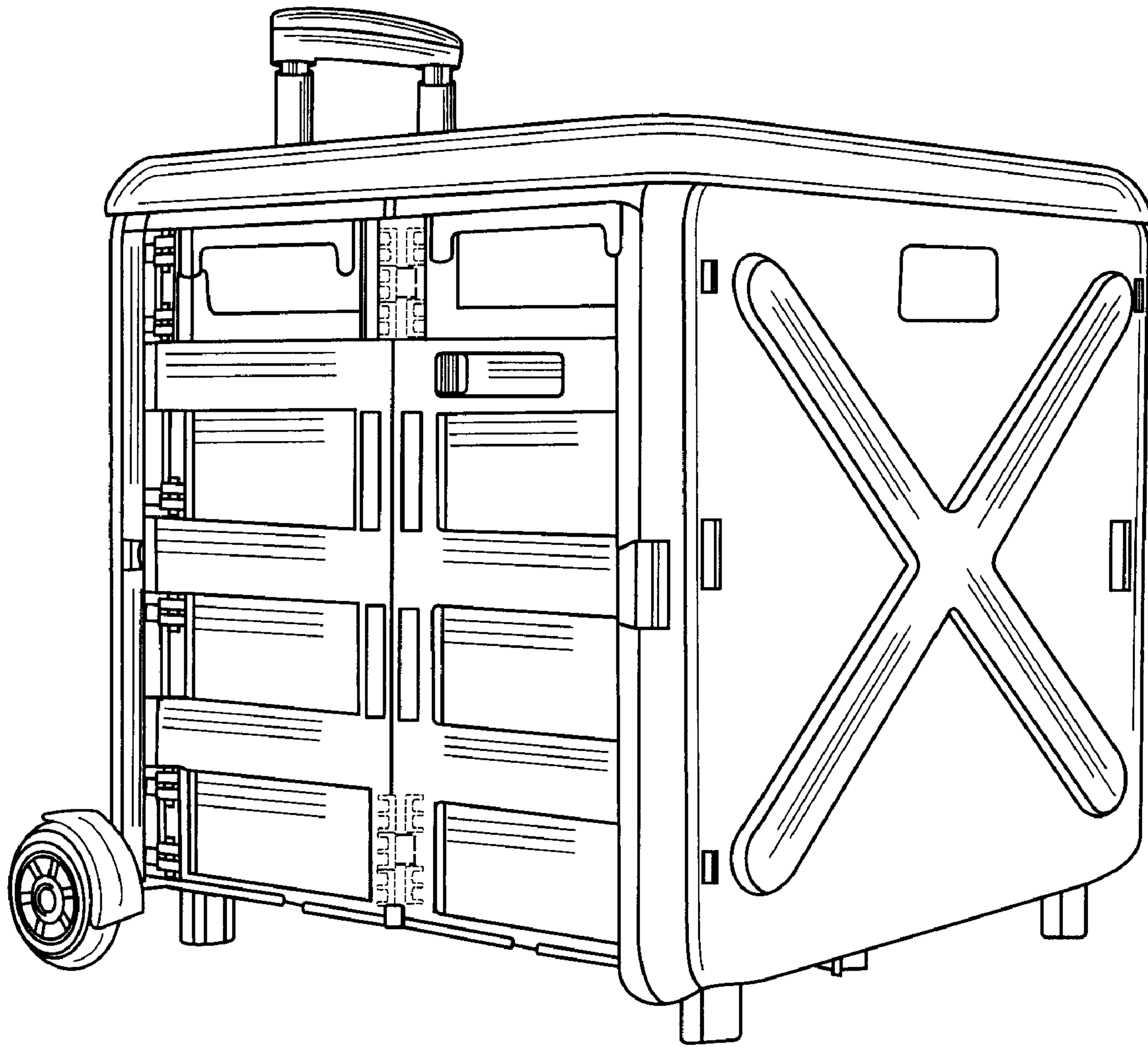


Fig. 1

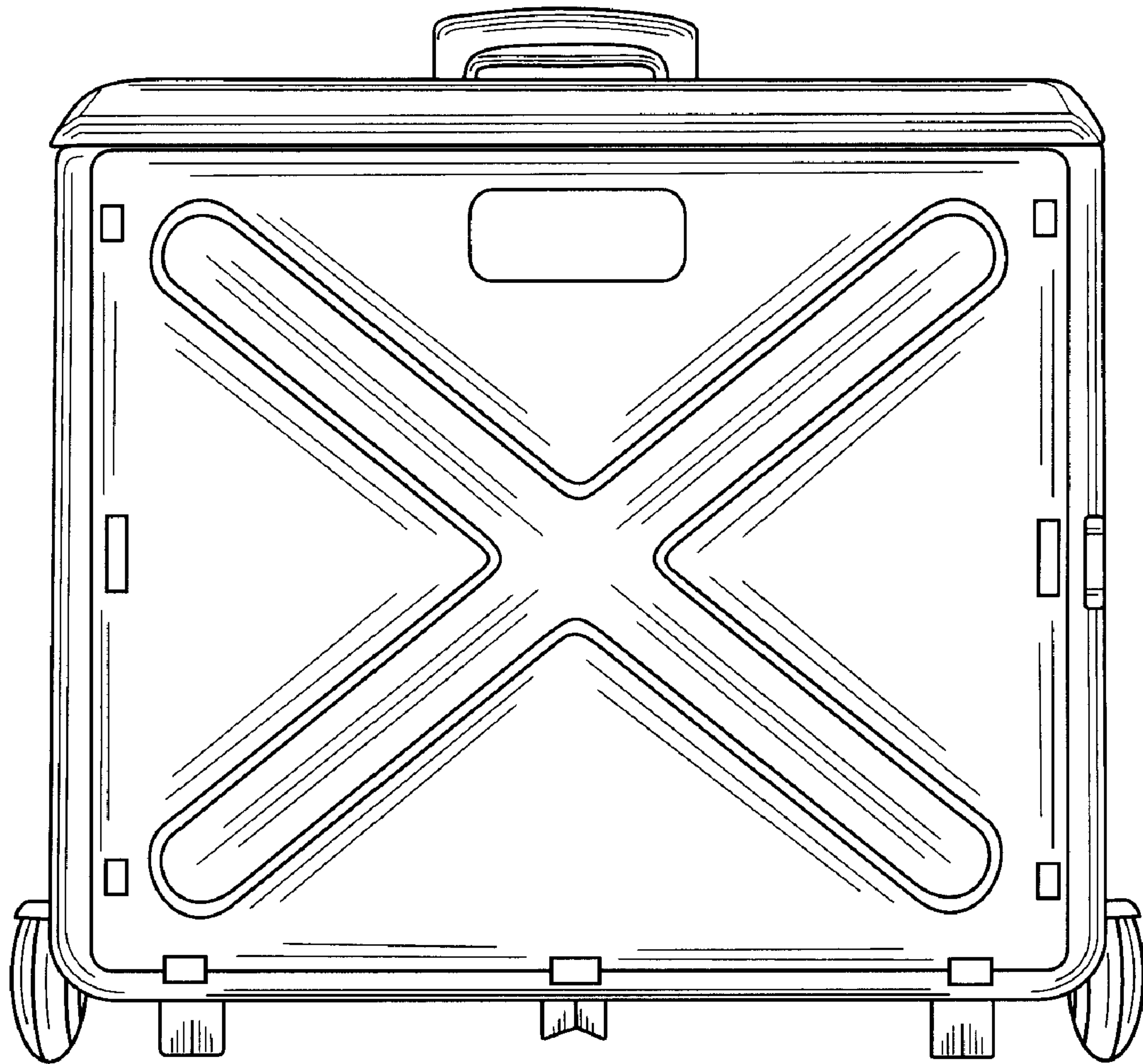


Fig. 2

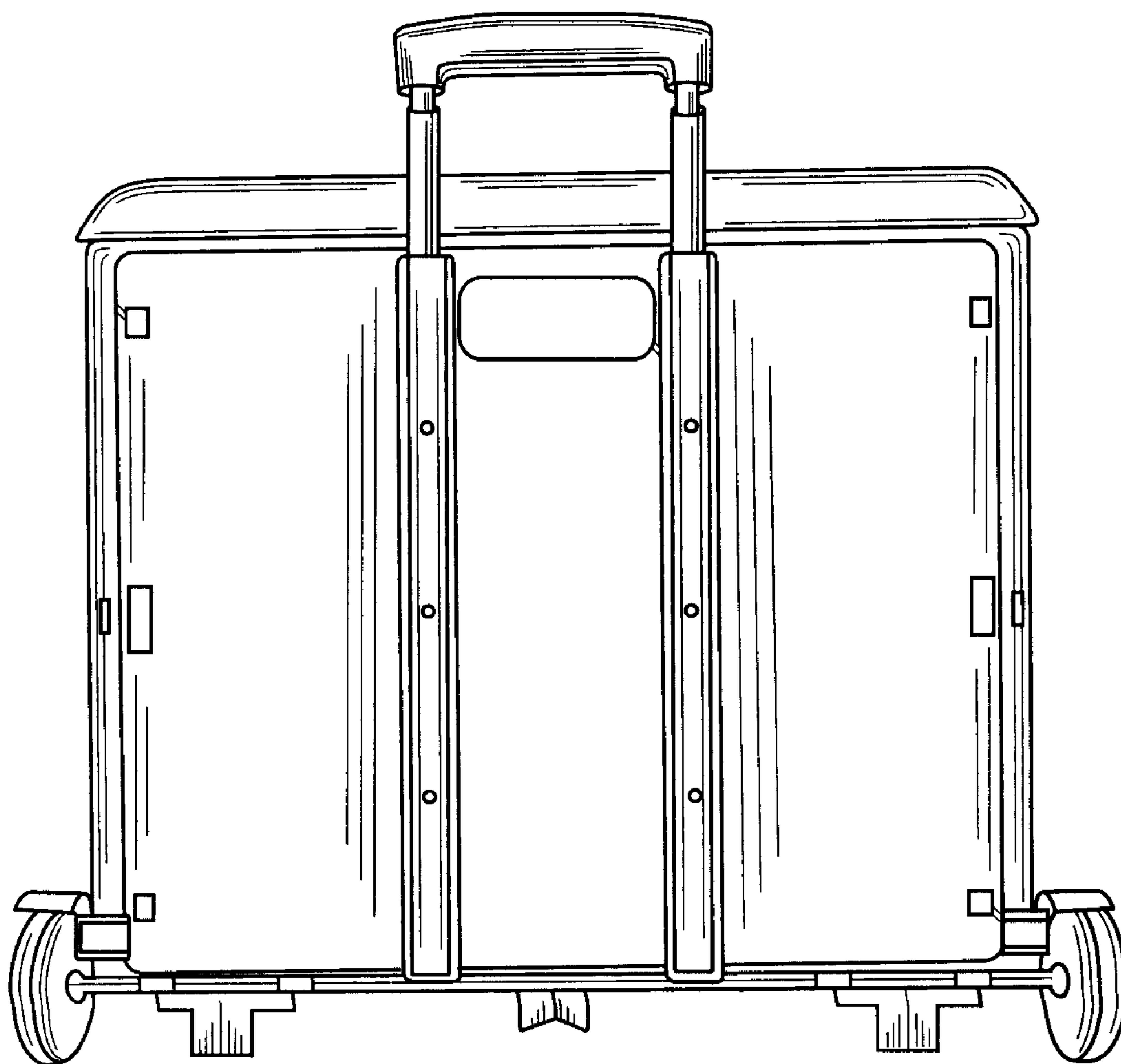


Fig. 3

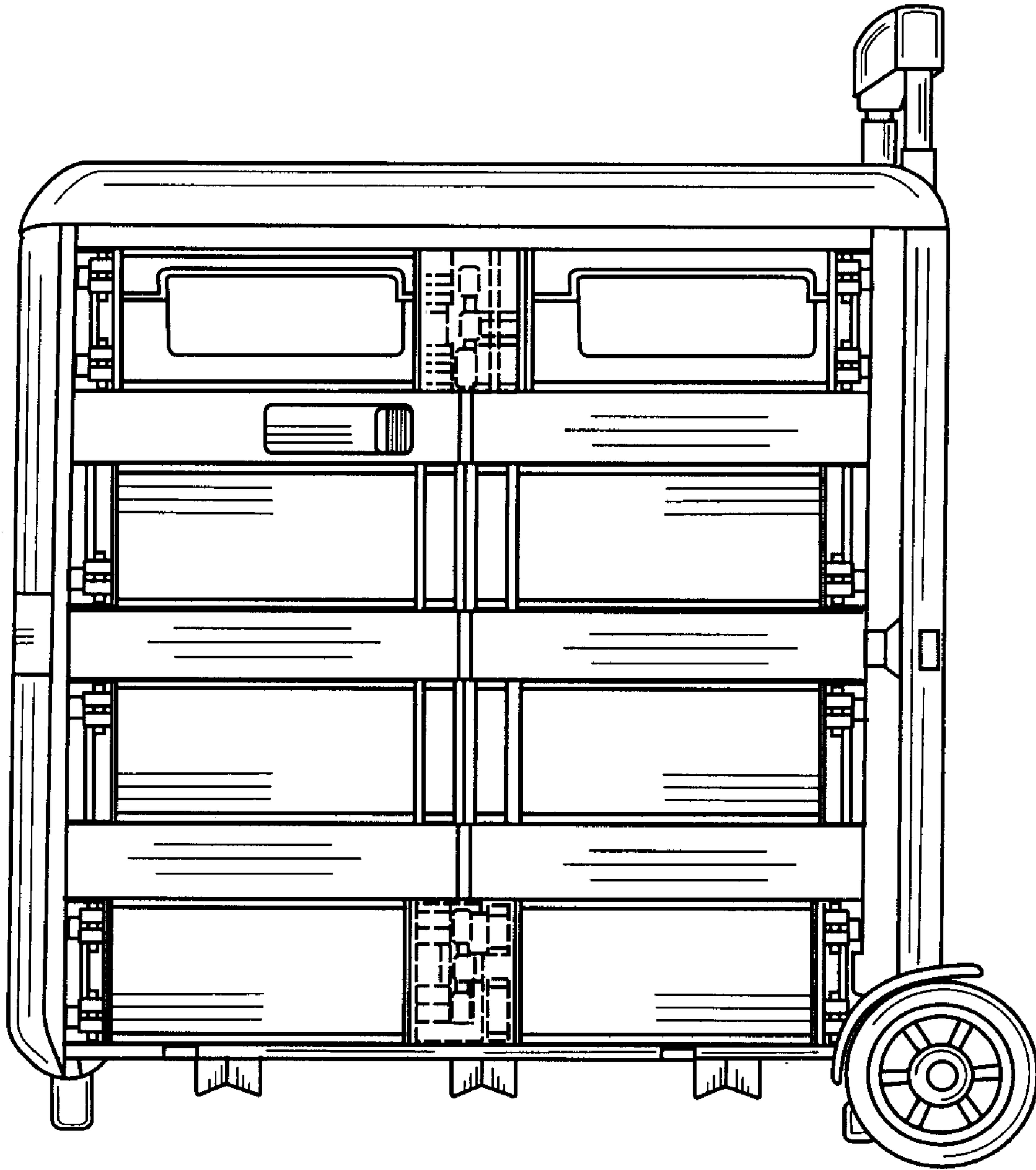


Fig. 4

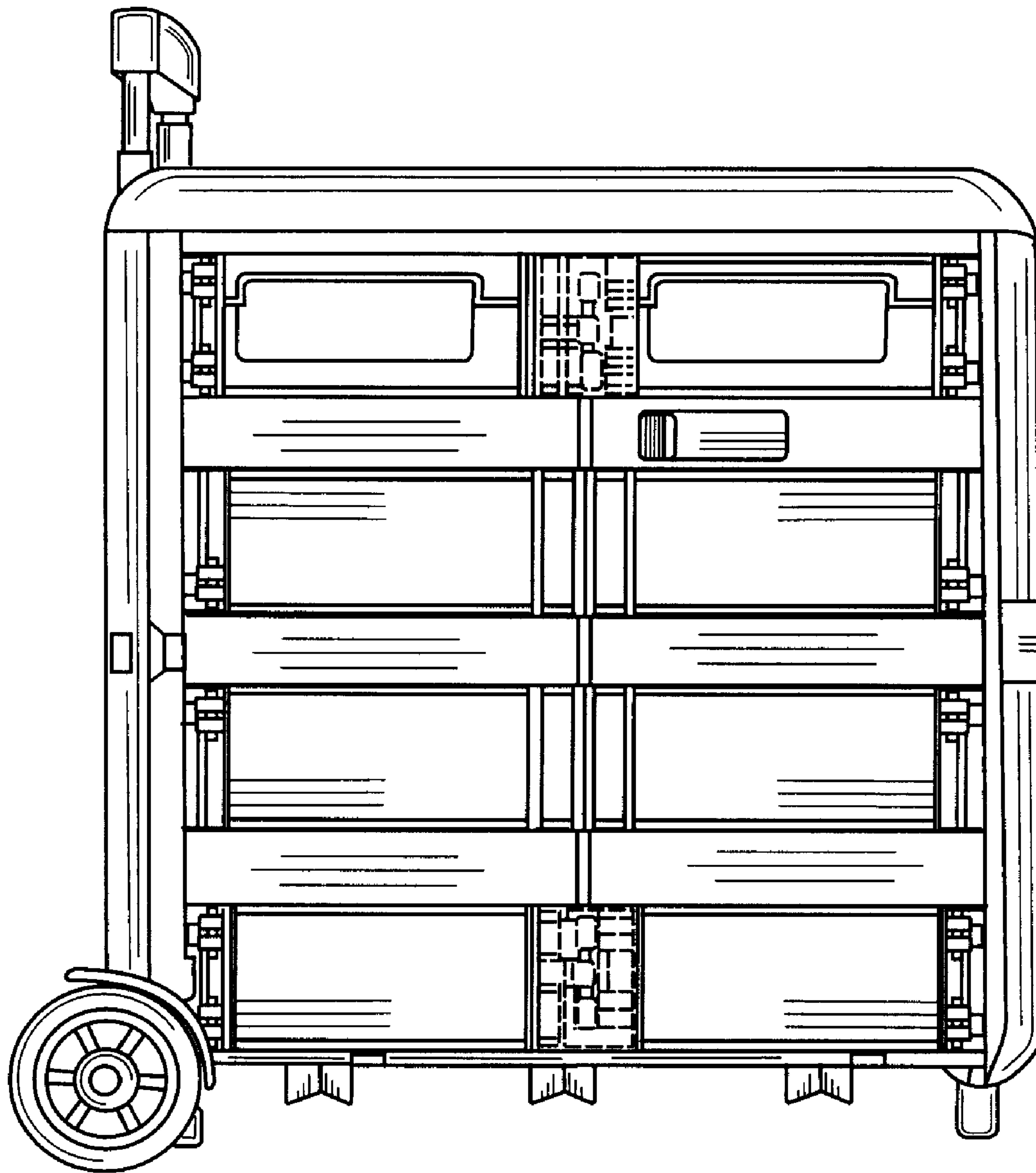


Fig. 5

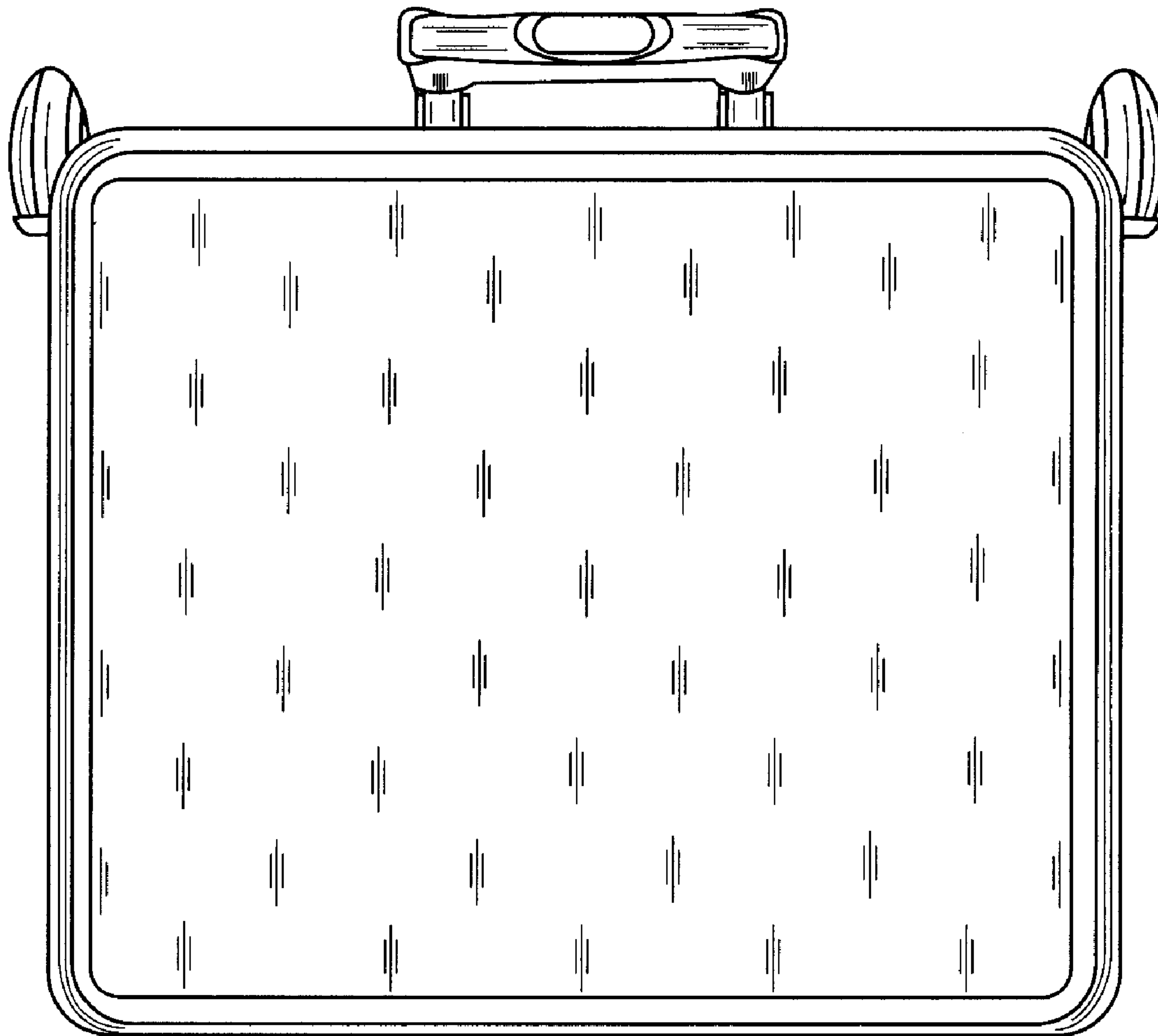


Fig. 6

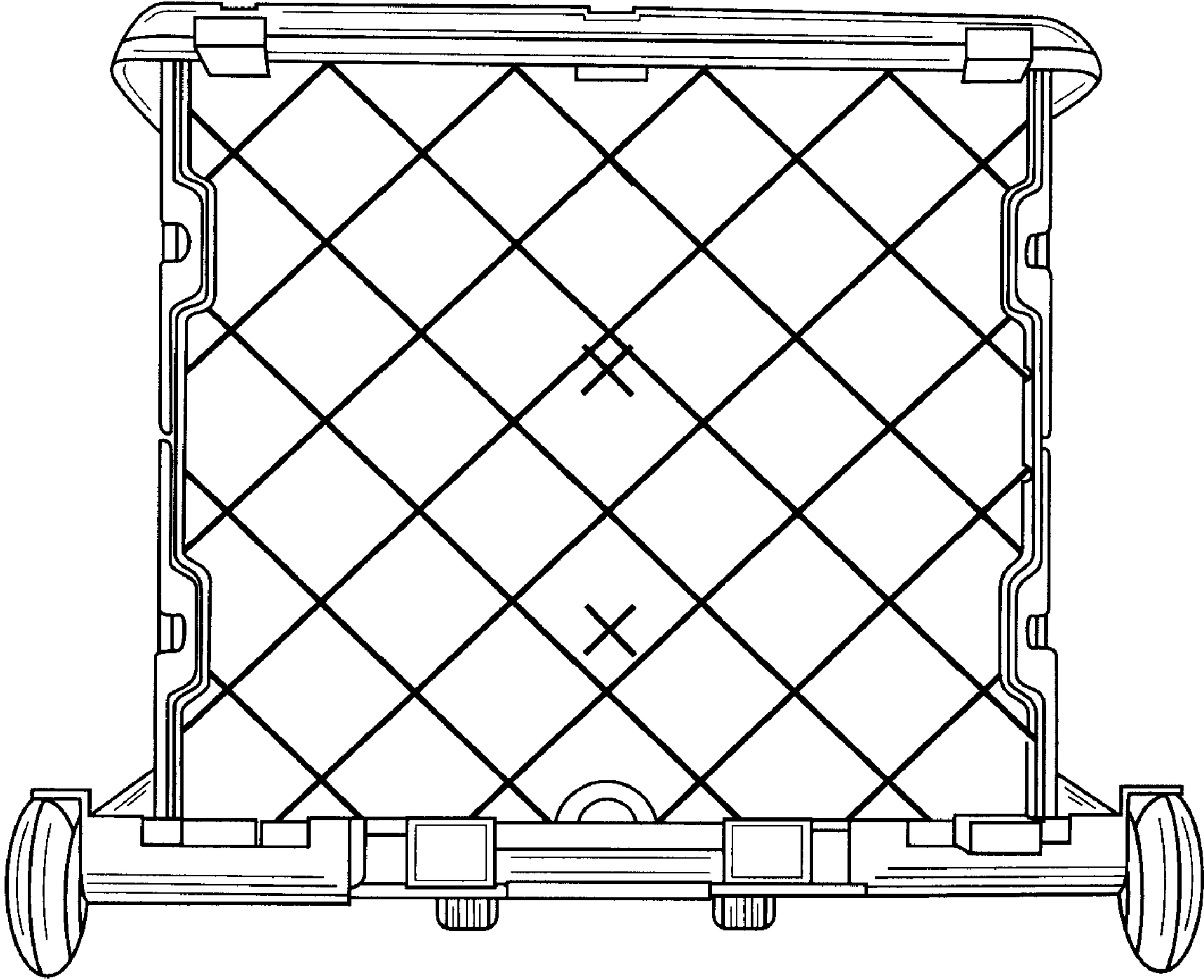


Fig. 7

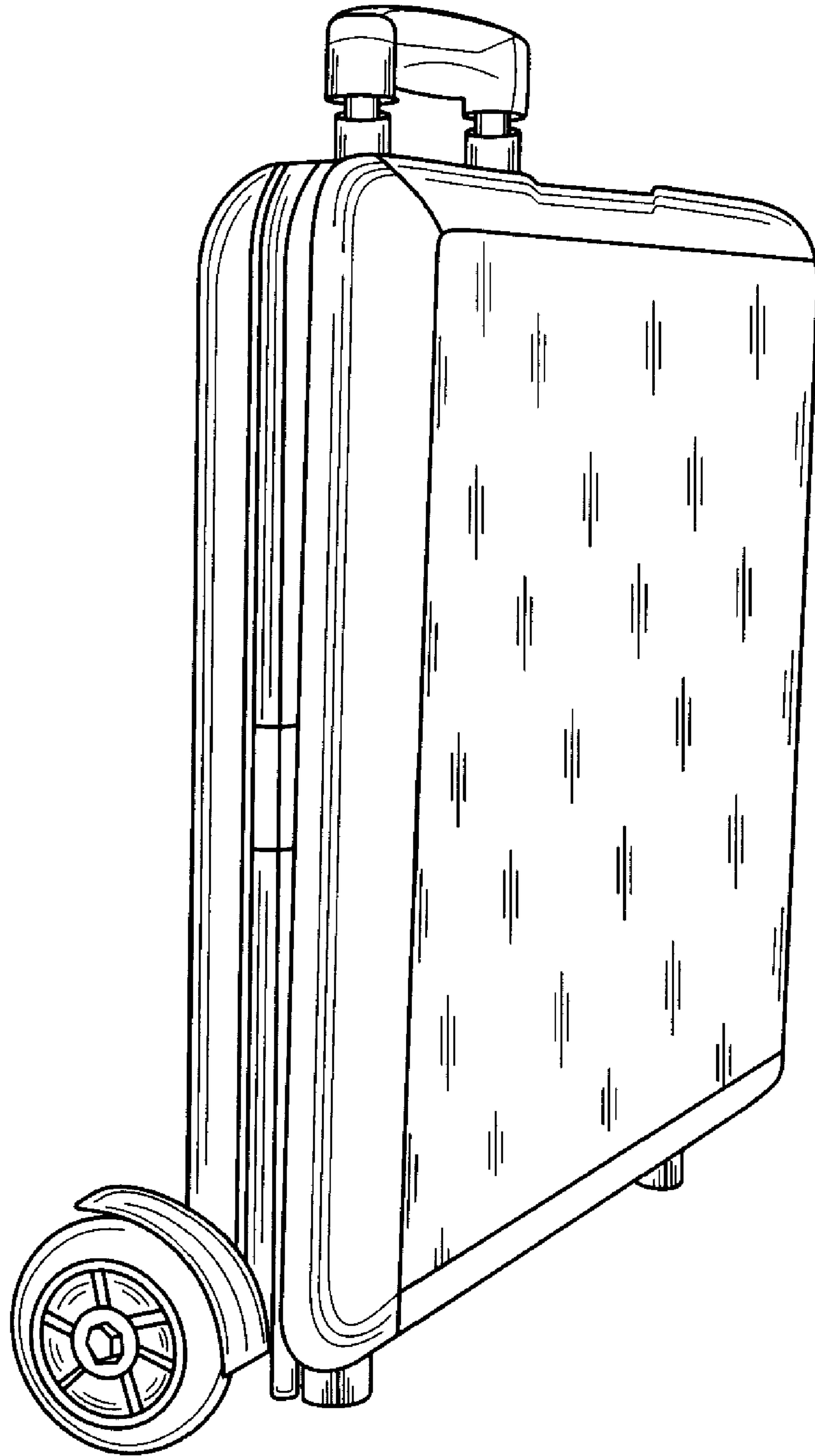


Fig. 8