

US00D545022S

(12) **United States Design Patent**
Morad

(10) **Patent No.:** **US D545,022 S**
(45) **Date of Patent:** **** Jun. 19, 2007**

(54) **DUSTPAN**

6,732,402 B1 * 5/2004 Hsu D32/74

(75) Inventor: **Fred I. Morad**, Toluca Lake, CA (US)

* cited by examiner

(73) Assignee: **Worldwide Integrated Resources, Inc.**, Commerce, CA (US)

Primary Examiner—Pamela J. Burgess
(74) *Attorney, Agent, or Firm*—Thomas I. Rozsa

(**) Term: **14 Years**

(57) **CLAIM**

(21) Appl. No.: **29/228,445**

The ornamental design for a dustpan, as shown and described.

(22) Filed: **Apr. 21, 2005**

DESCRIPTION

(51) **LOC (8) Cl.** **07-05**

FIG. 1 is a perspective view of the dustpan, showing my design.

(52) **U.S. Cl.** **D32/74**

FIG. 2 is a front elevational view;

(58) **Field of Classification Search** D32/74;
D8/10; D30/162; 15/257.1–257.9; 294/55–56,
294/1.3

FIG. 3 is a rear elevational view;

See application file for complete search history.

FIG. 4 is a side elevational view when viewed from the left side;

(56) **References Cited**

FIG. 5 is a side elevational view when viewed from the right side;

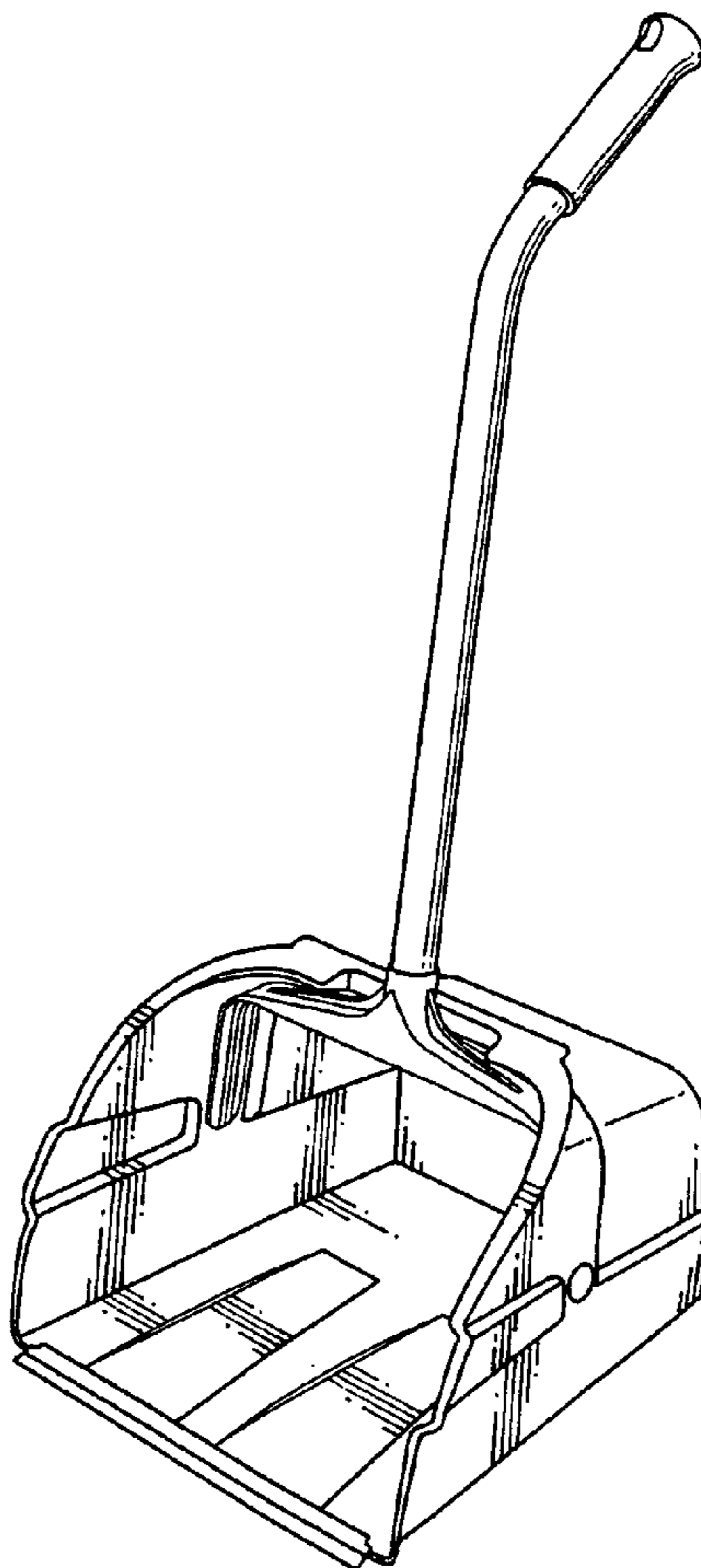
U.S. PATENT DOCUMENTS

FIG. 6 is a top plan view; and,

- D441,933 S * 5/2001 Savage et al. D34/1
- 6,282,745 B1 * 9/2001 Alt 15/257.4
- D463,642 S * 9/2002 Morad D32/74
- D468,879 S * 1/2003 Perelli D32/74

FIG. 7 is a bottom plan view.

1 Claim, 2 Drawing Sheets



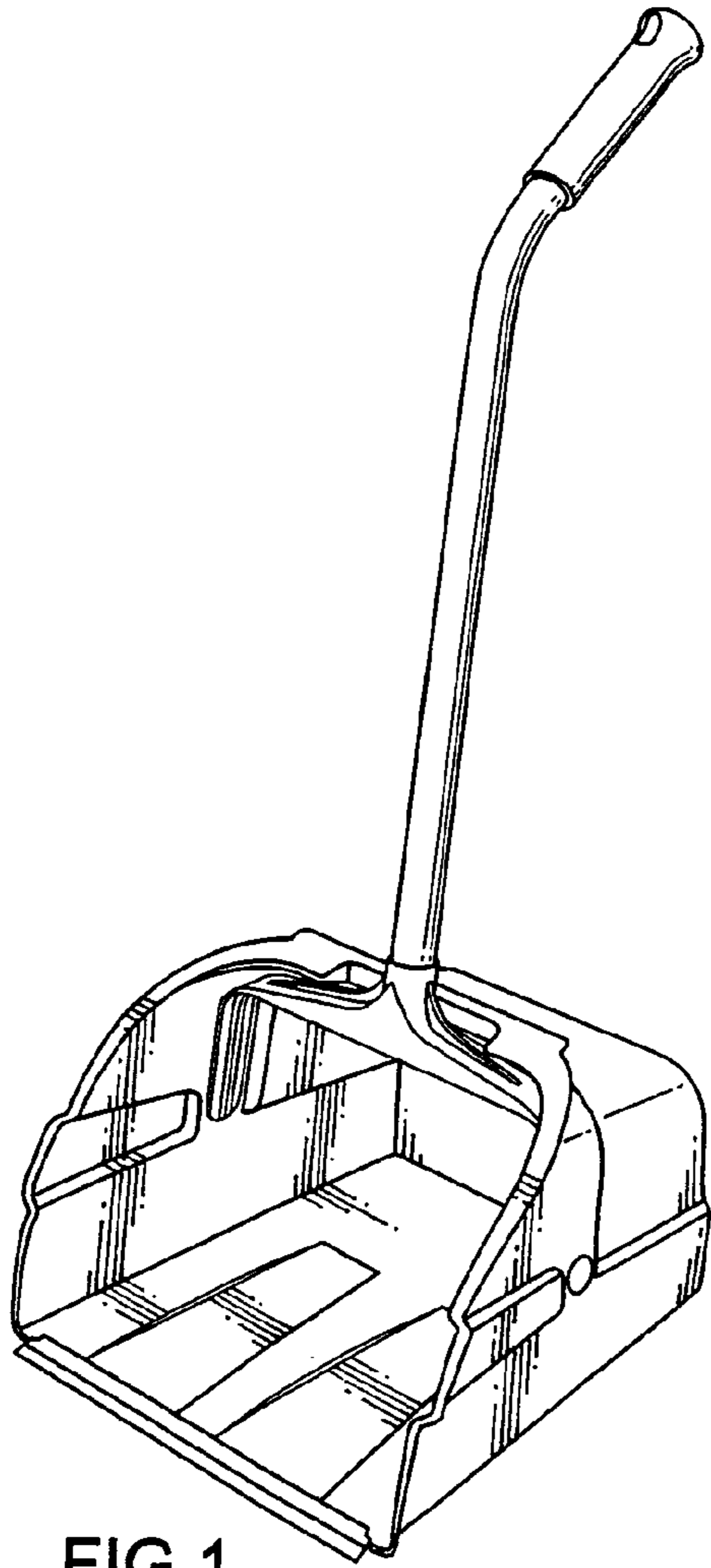


FIG.1

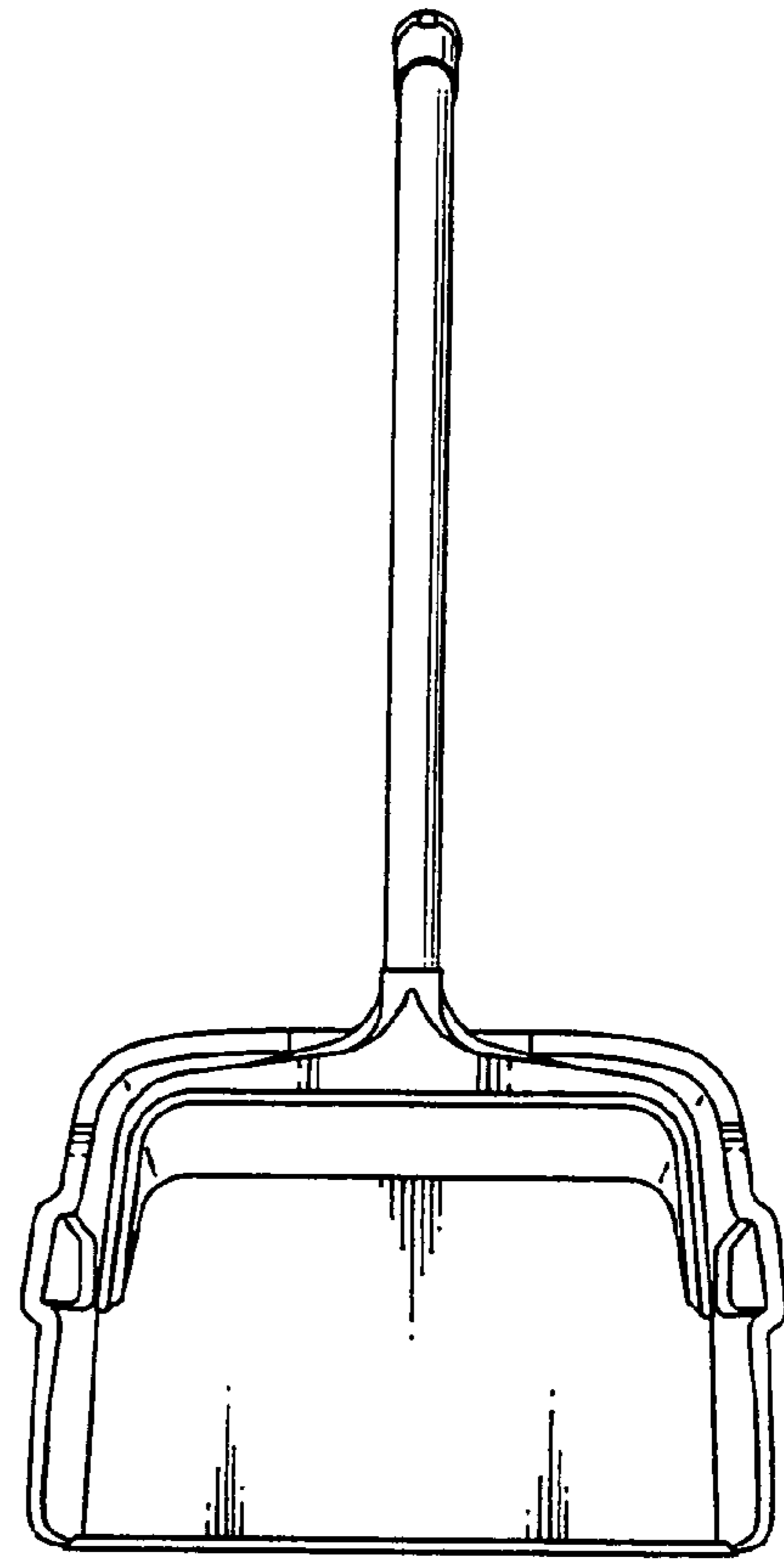


FIG.2

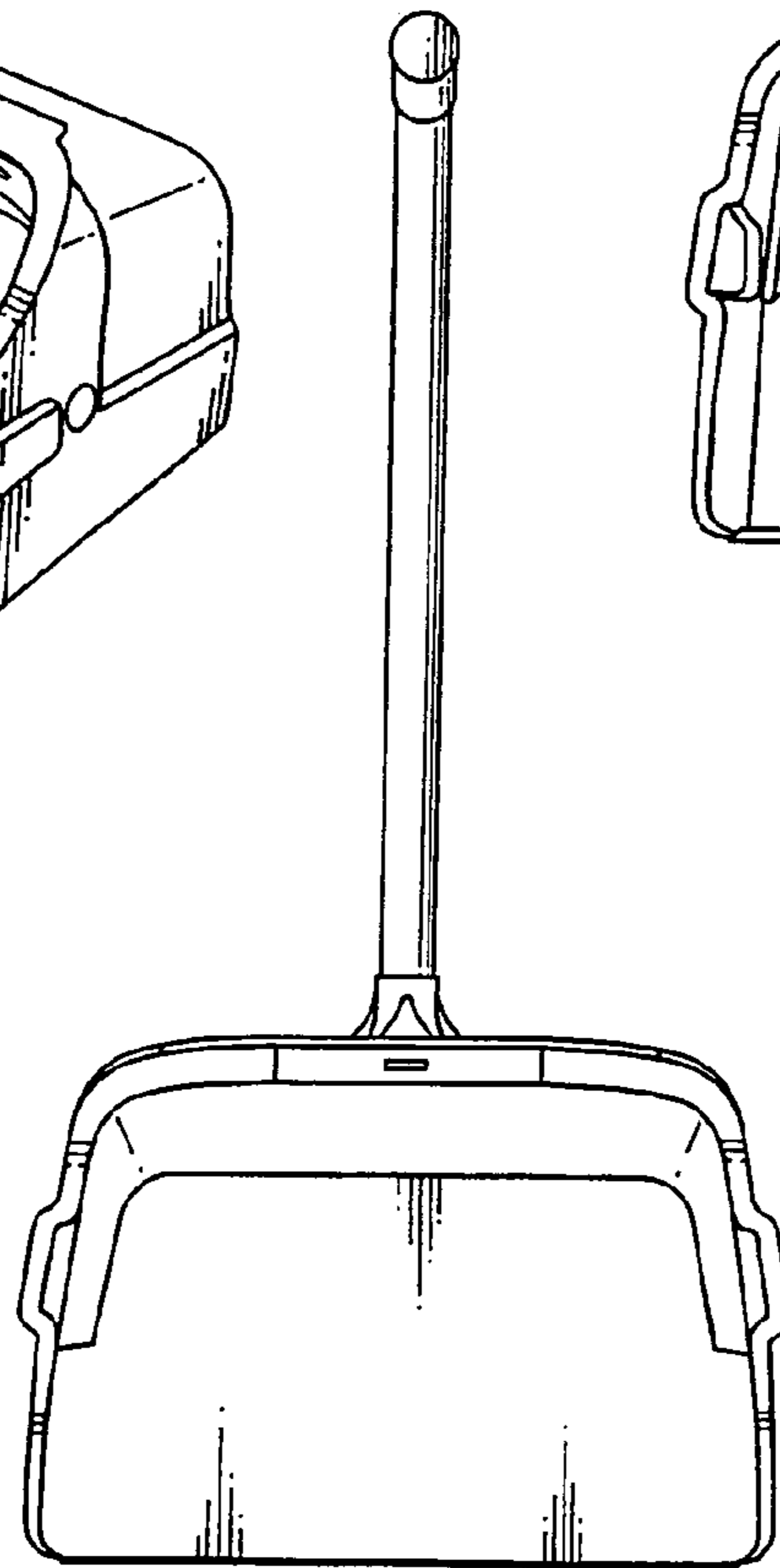


FIG.3

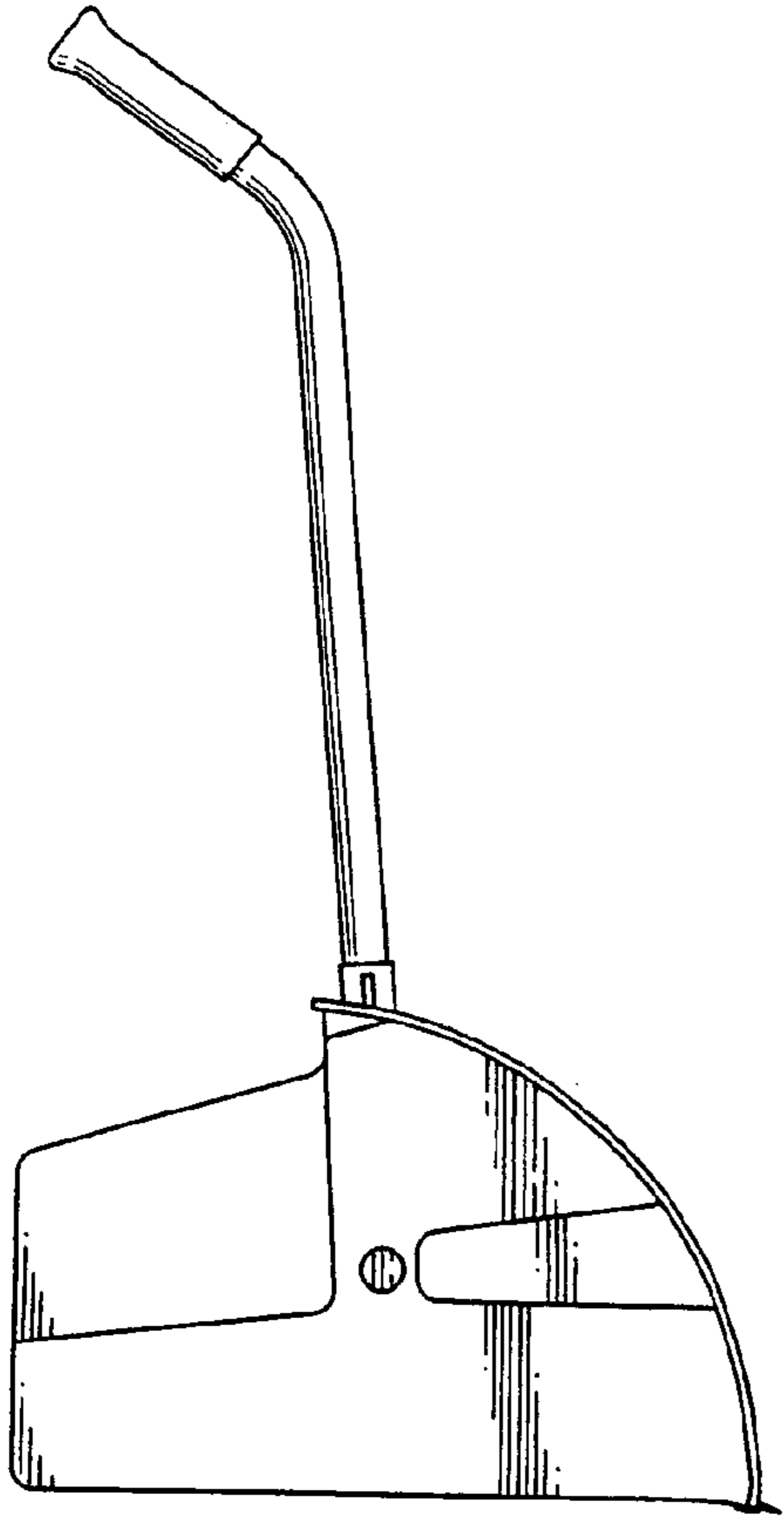


FIG. 4

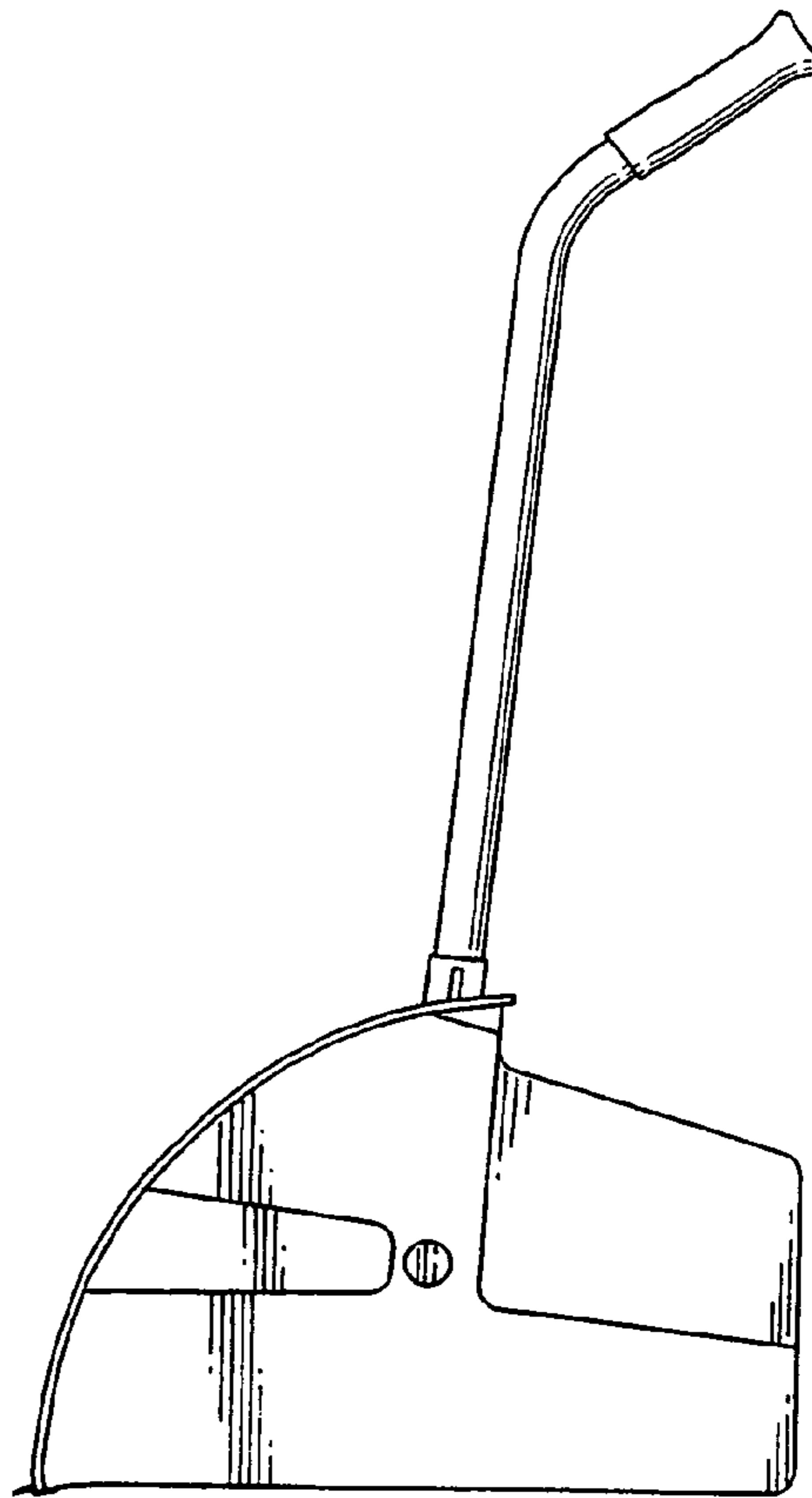


FIG. 5

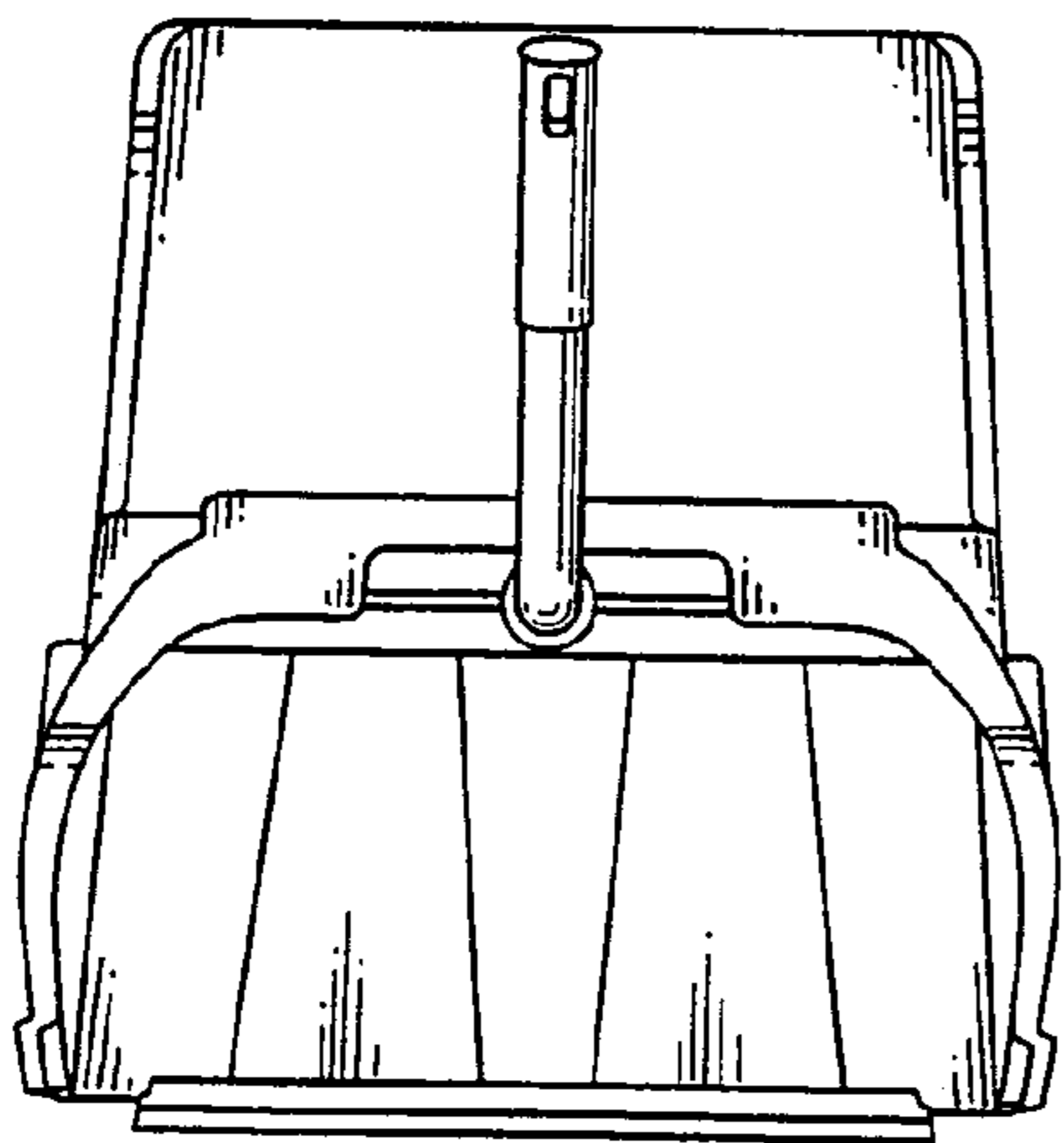


FIG. 6

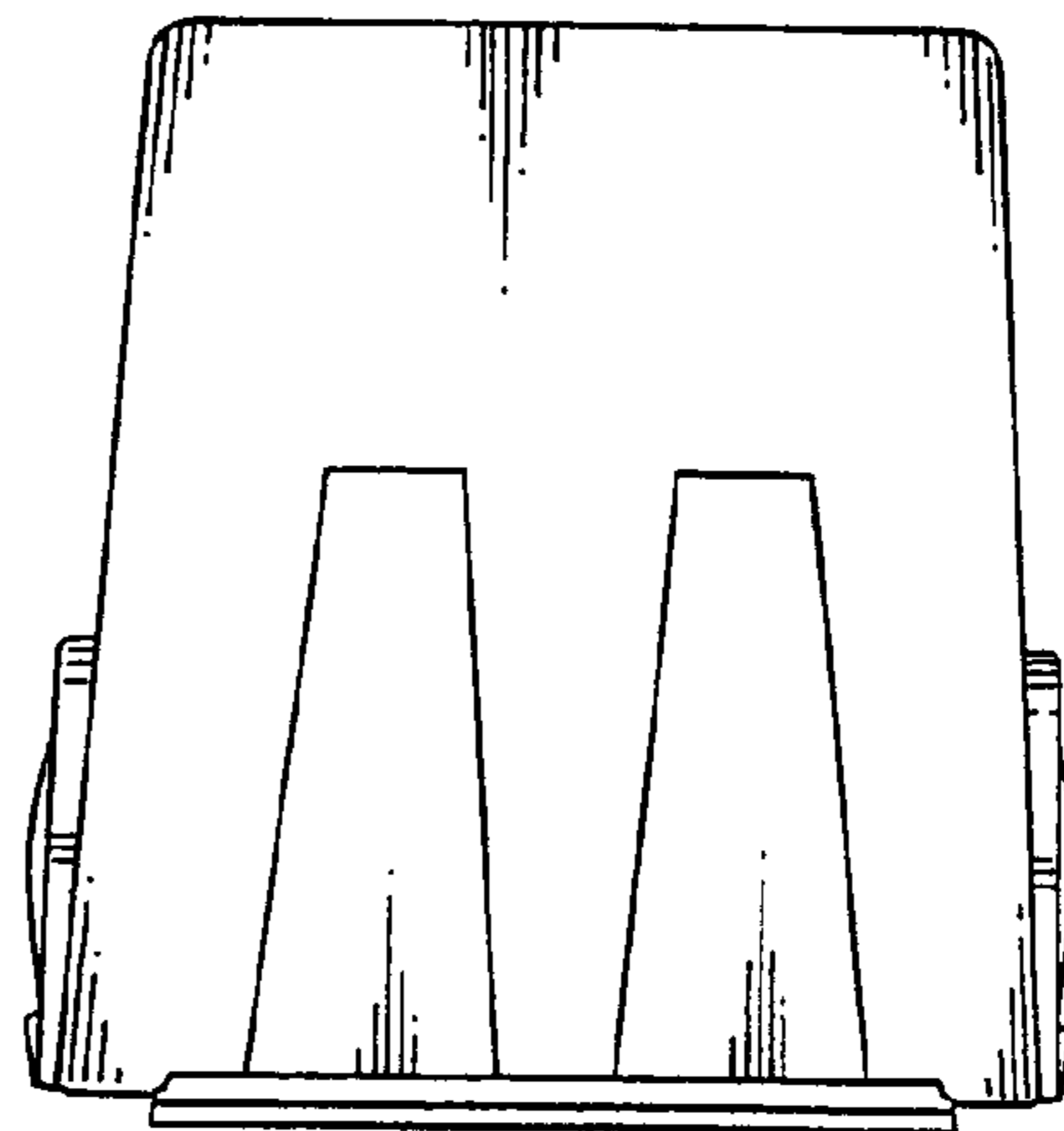


FIG. 7