

US00D545021S

(12) **United States Design Patent**
Verbeek

(10) **Patent No.:** **US D545,021 S**

(45) **Date of Patent:** **** Jun. 19, 2007**

(54) **ROTARY DRYER**

(75) Inventor: **Antonius Johannes Verbeek,**
Valkenswaard (NL)

(73) Assignee: **Brabantia Nederland B.V.,** Waalre
(NL)

(**) Term: **14 Years**

(21) Appl. No.: **29/222,068**

(22) Filed: **Jan. 24, 2005**

(51) **LOC (8) Cl.** **07-05**

(52) **U.S. Cl.** **D32/58**

(58) **Field of Classification Search** D32/58-60,
D32/65; D6/552, 546, 566; 211/85.7, 71.01,
211/85.18, 104-106, 86.01, 100, 183, 196-197,
211/189

See application file for complete search history.

(56) **References Cited**

U.S. PATENT DOCUMENTS

2,474,922	A *	7/1949	Unwin	211/167
2,618,392	A *	11/1952	Keutzer	211/104
2,670,855	A *	3/1954	Pierie	211/197
D254,471	S *	3/1980	Seabrook	D32/58
D261,350	S *	10/1981	Koshiyama	D32/58
4,550,840	A *	11/1985	Van Deursen	211/197
4,610,364	A *	9/1986	Meade	211/183
4,830,202	A *	5/1989	Steiner	211/197
D339,667	S *	9/1993	Fitzpatrick	D32/58
5,280,847	A *	1/1994	Blum et al.	222/593
D355,737	S *	2/1995	Breen	D32/58
5,449,075	A *	9/1995	Meade et al.	211/197
D401,025	S *	11/1998	Williams et al.	D32/58

* cited by examiner

Primary Examiner—Pamela J. Burgess

(74) *Attorney, Agent, or Firm*—Abelman, Frayne & Schwab

(57) **CLAIM**

The ornamental design for a rotary dryer, as shown and described.

DESCRIPTION

FIG. 1 is a front left side elevational view of a rotary dryer in an open configuration showing my new design;

FIG. 2 is a left side elevational view thereof, with the right side being a mirror image thereof;

FIG. 3 is a front elevational view thereof;

FIG. 4 is a top plan view thereof;

FIG. 5 is a bottom left side perspective view of the rotary dryer of FIG. 1 in a closed configuration;

FIG. 6 is a front elevational view of the rotary dryer of FIG. 5;

FIG. 7 is an enlarged bottom plan view of the rotary dryer of FIG. 5;

FIG. 8 is an enlarged top plan view of the rotary dryer of FIG. 5;

FIG. 9 is an enlarged bottom left side perspective view of the upper central portion of the rotary dryer of FIG. 1, shown for clarity of disclosure;

FIG. 10 is an enlarged bottom left side perspective view of the end portion of an arm of the rotary dryer of FIG. 1, shown for clarity of disclosure;

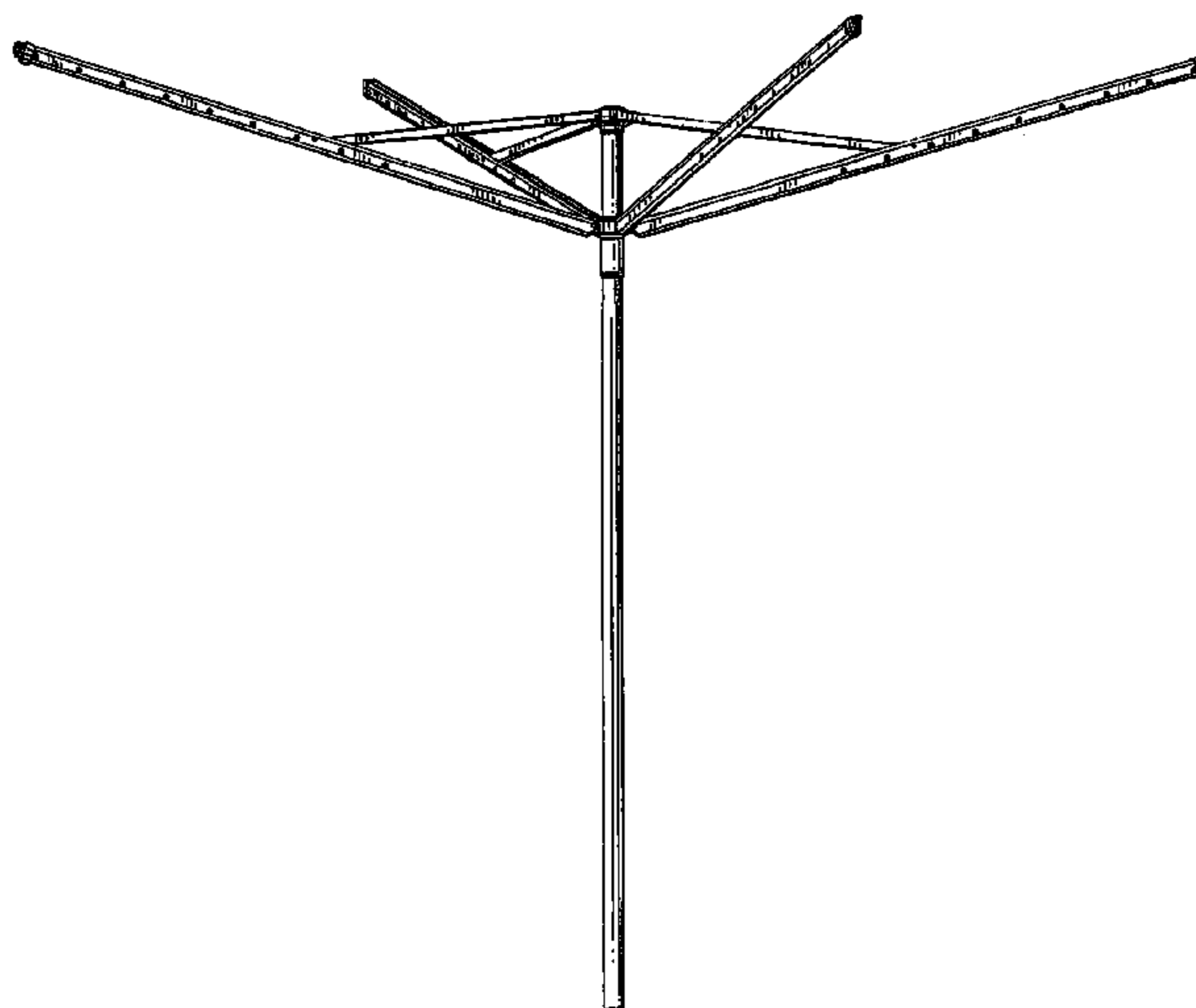
FIG. 11 is a front left side elevational view of an alternative embodiment of a rotary dryer in an open configuration showing my new design;

FIG. 12 is a left side elevational view of the alternative embodiment of FIG. 11, with the right side being a mirror image thereof;

FIG. 13 is a front elevational view of the alternative embodiment of FIG. 11; and,

FIG. 14 is a top plan view of the alternative embodiment of FIG. 11.

1 Claim, 13 Drawing Sheets



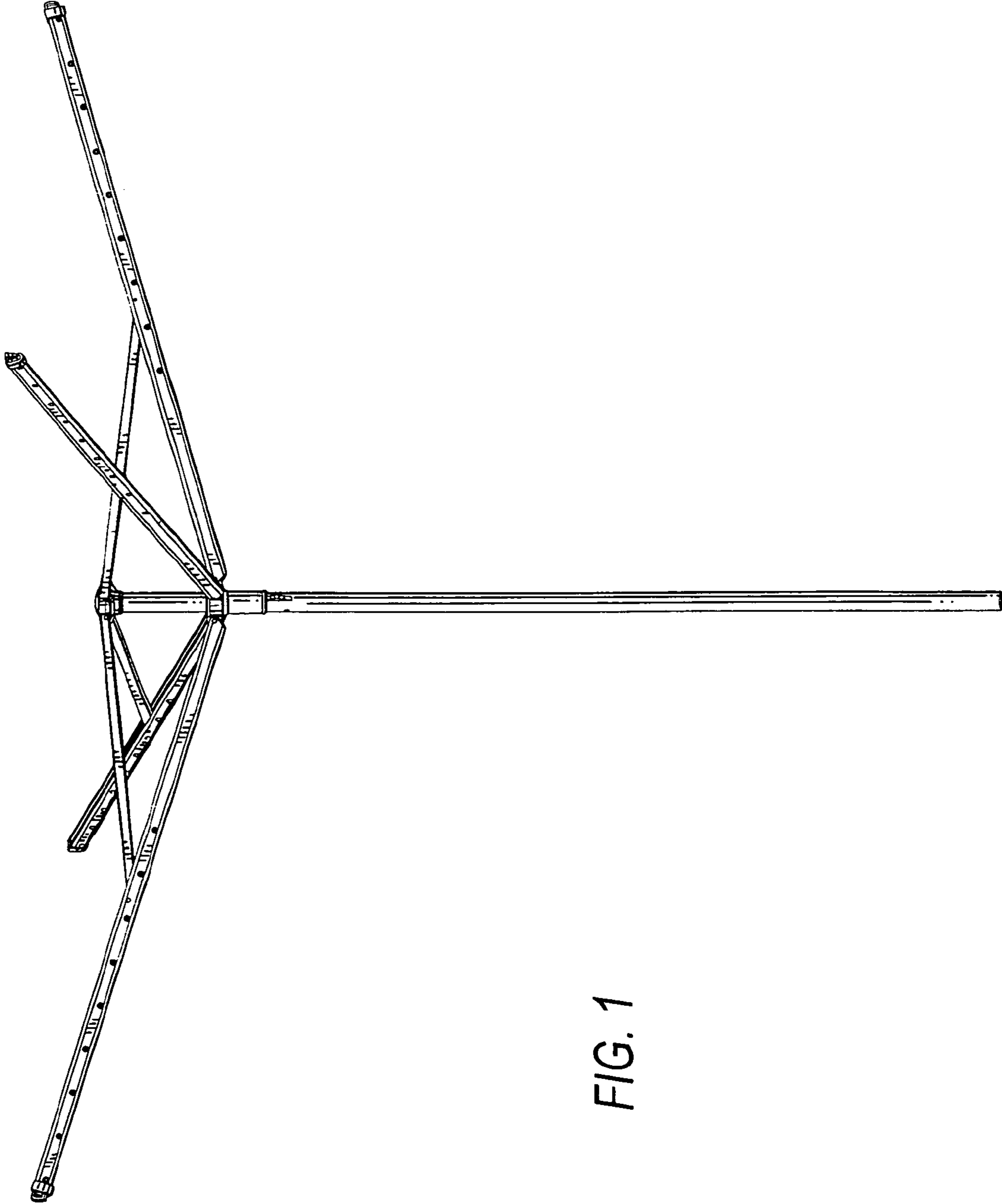


FIG. 1

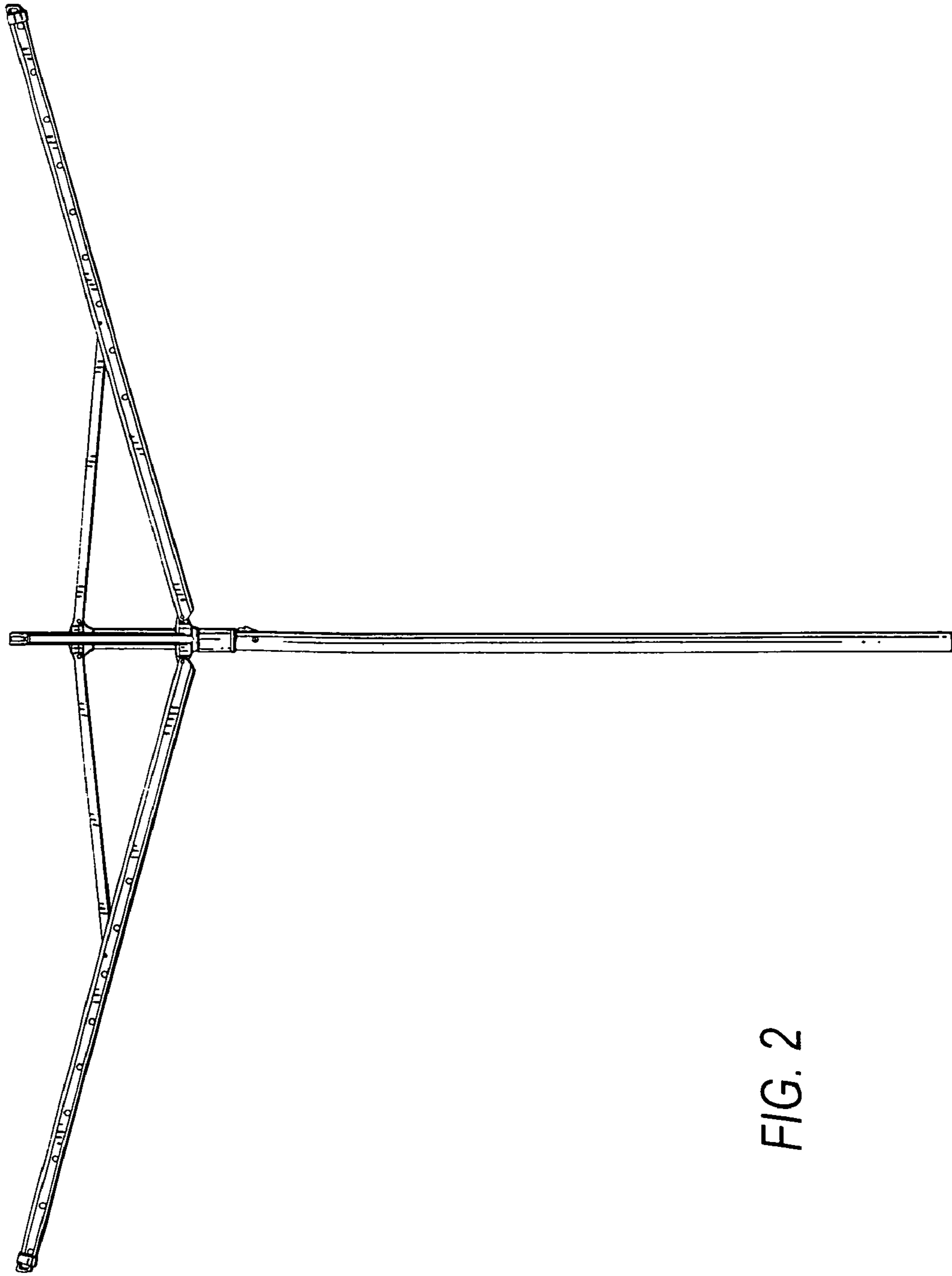


FIG. 2

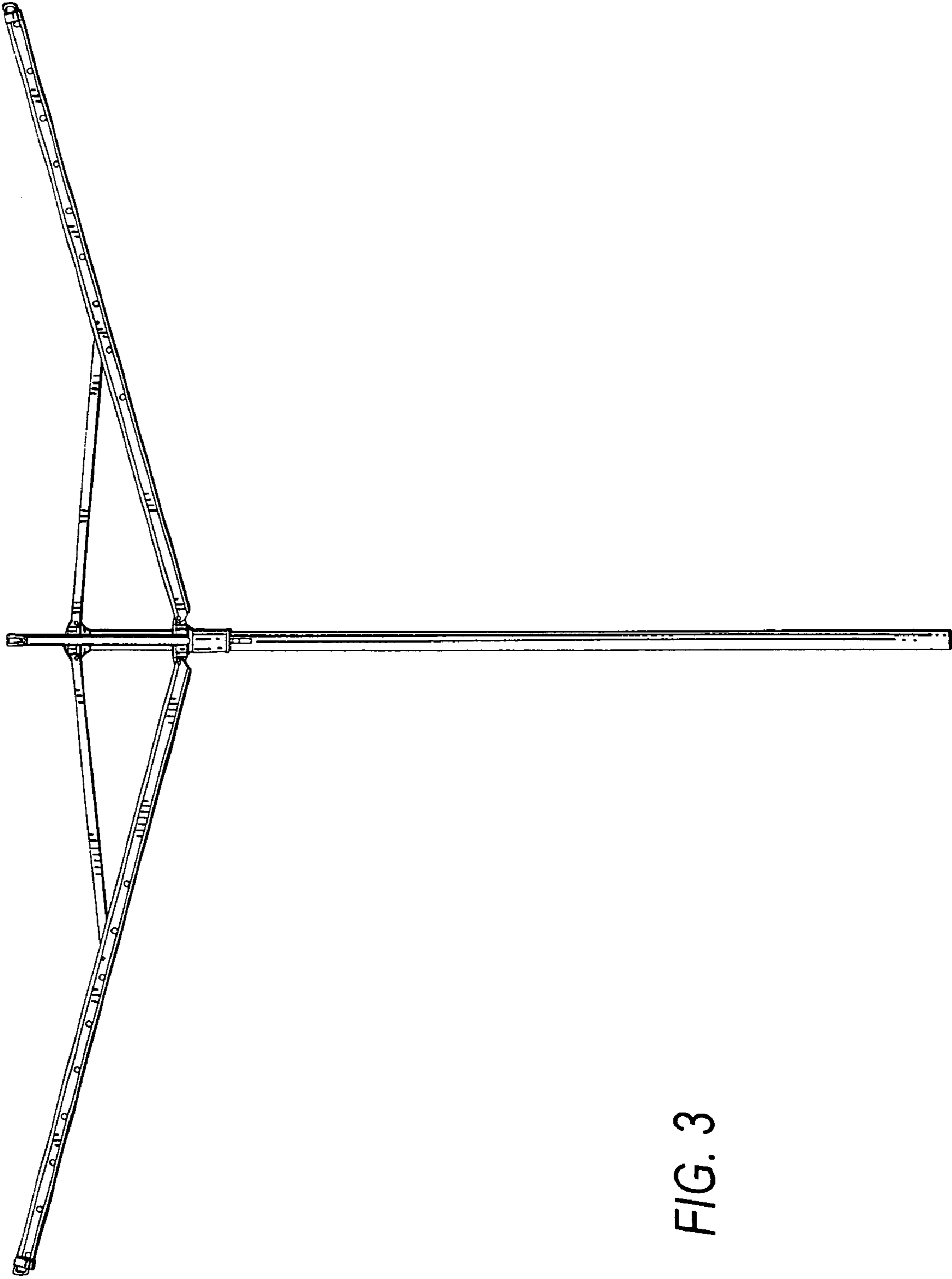


FIG. 3

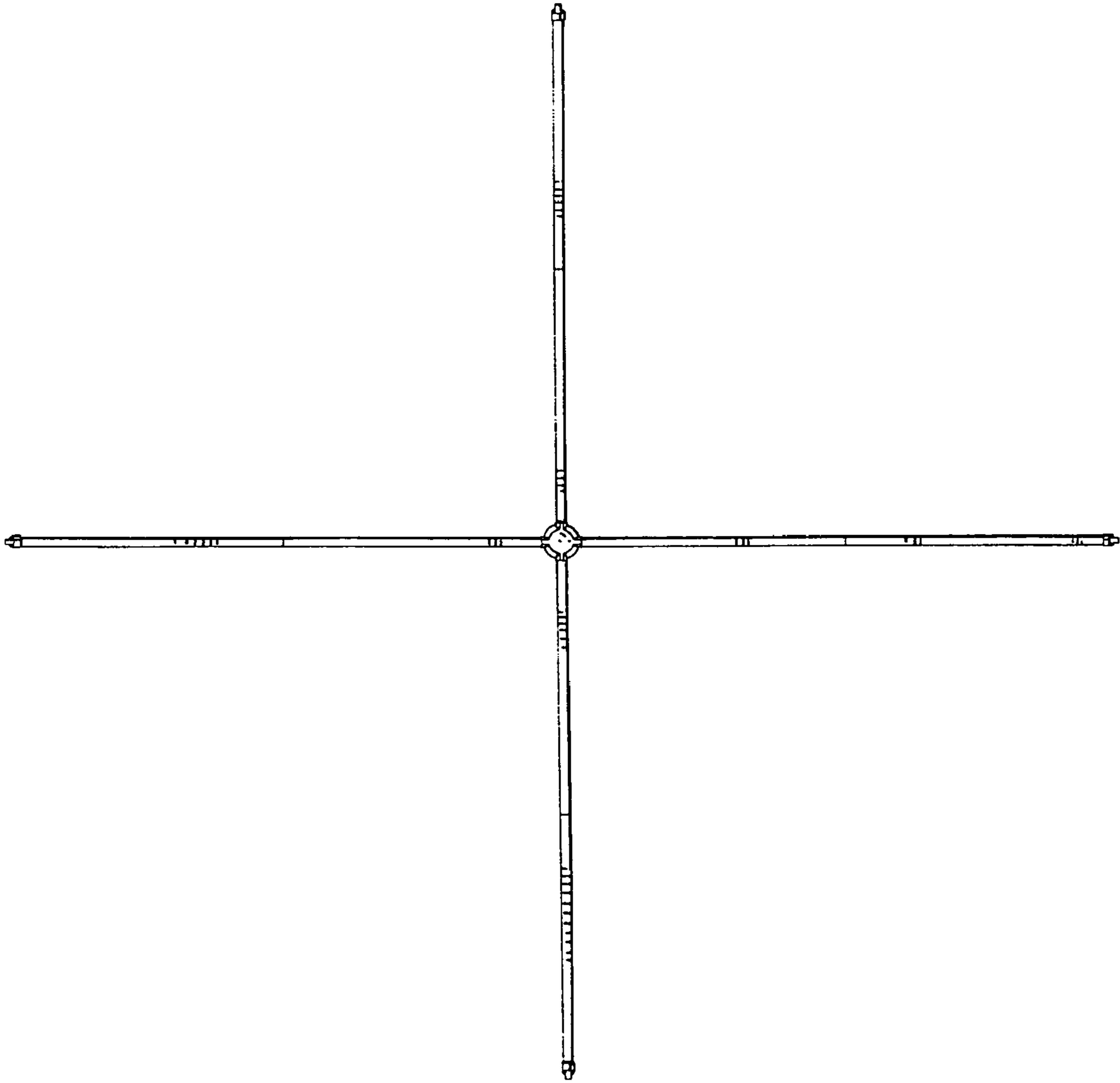


FIG. 4

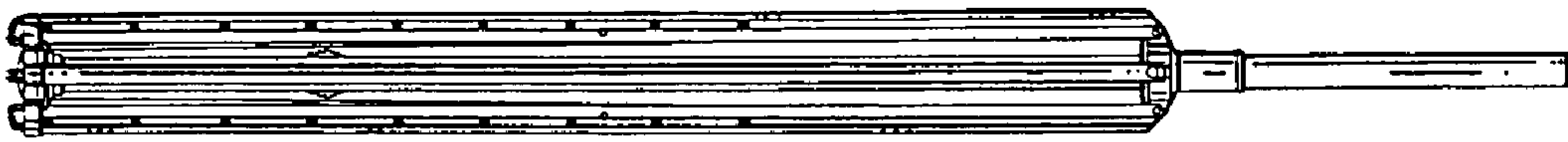


FIG. 6

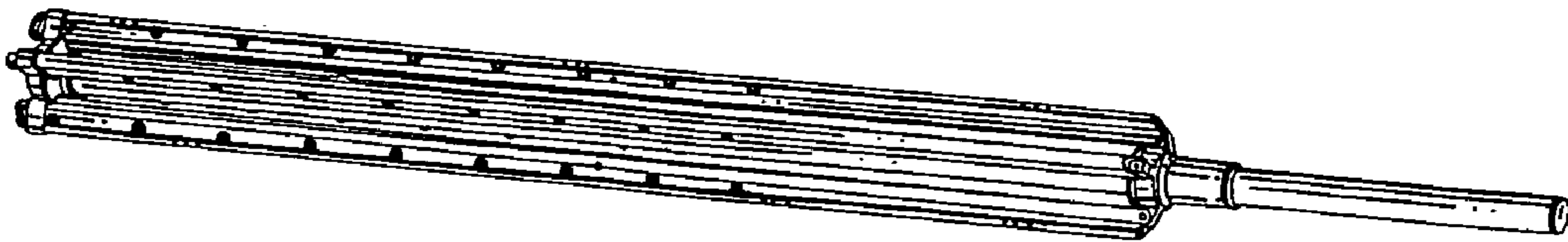


FIG. 5

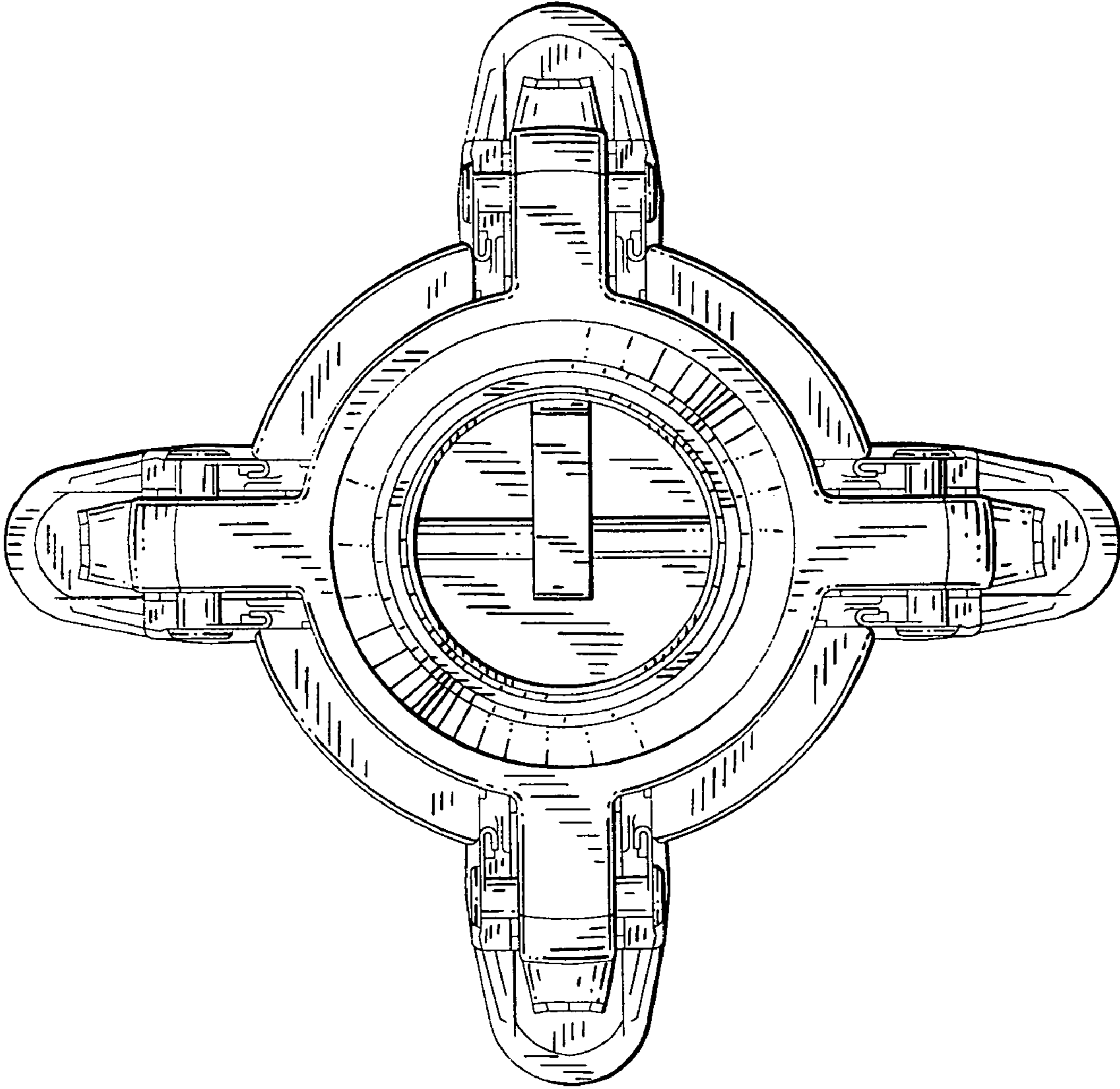


FIG. 7

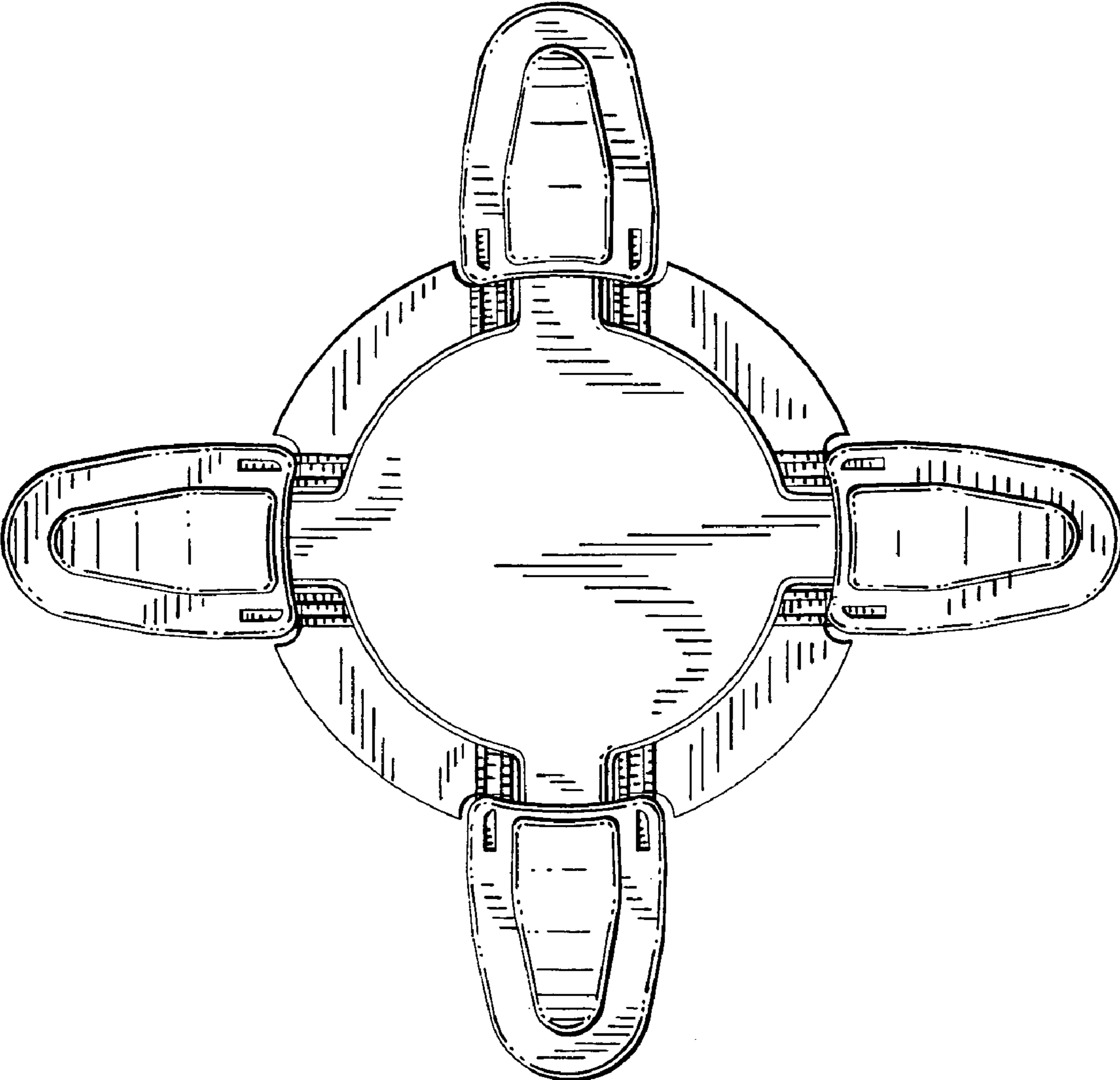


FIG. 8

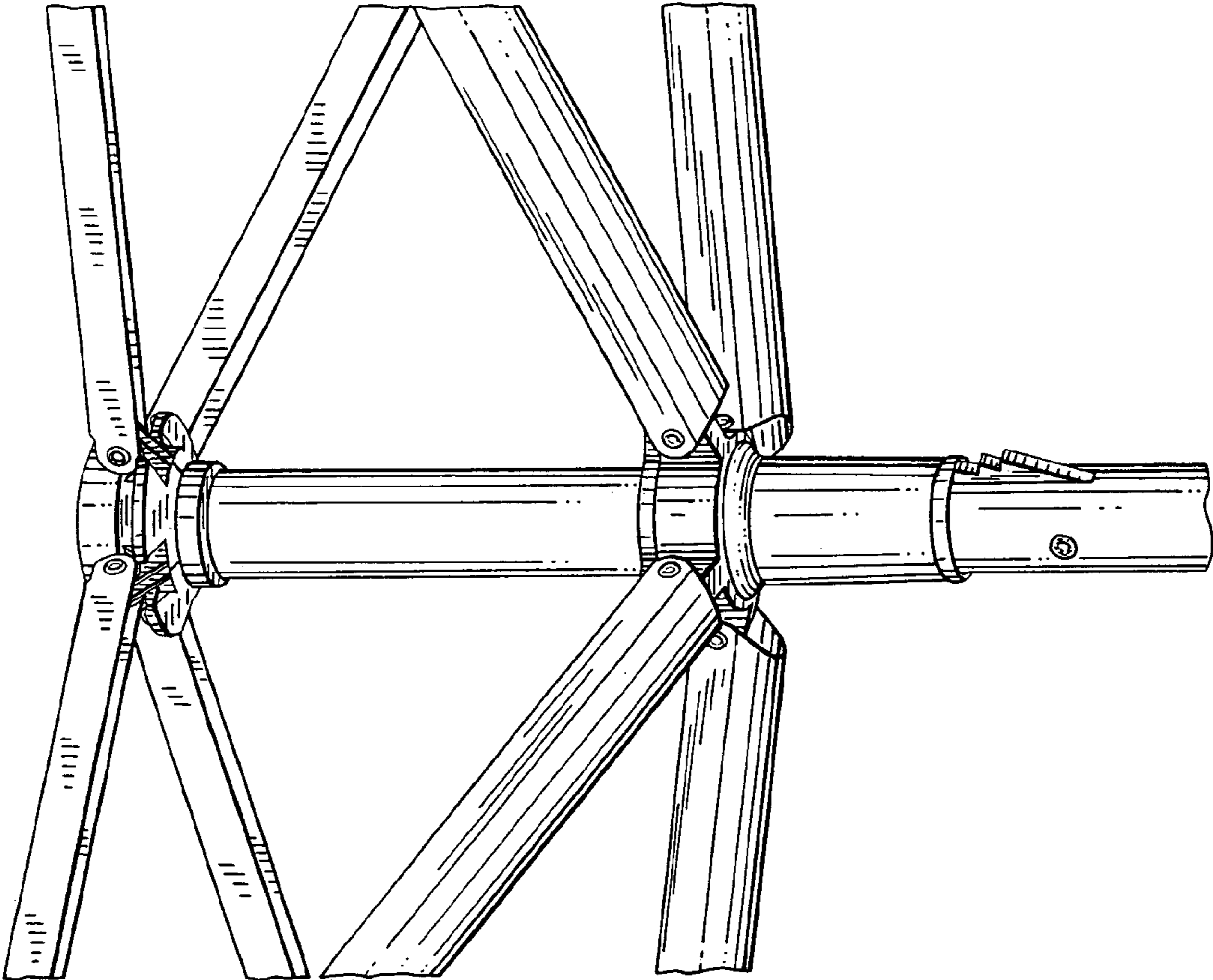


FIG. 9

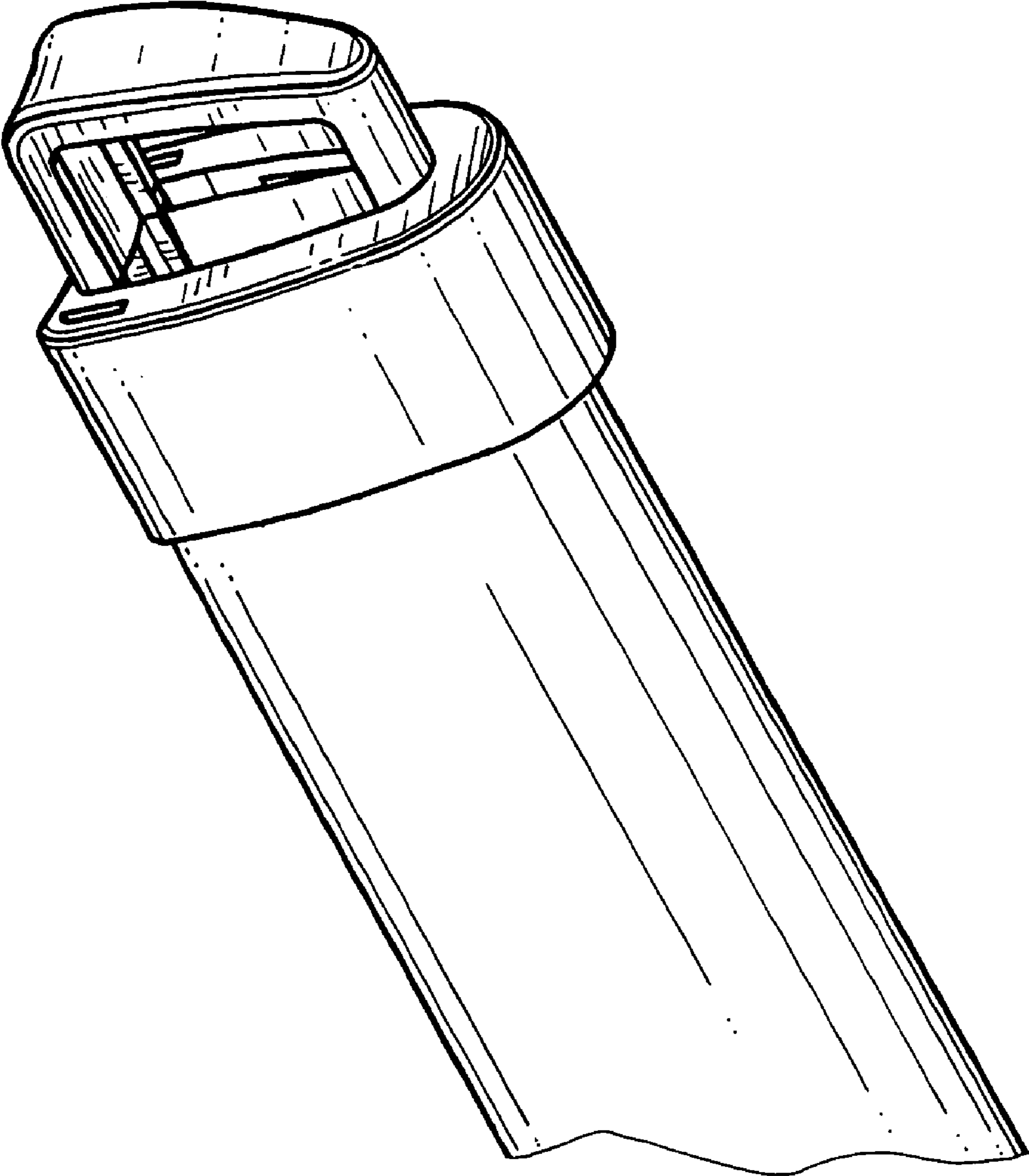


FIG. 10

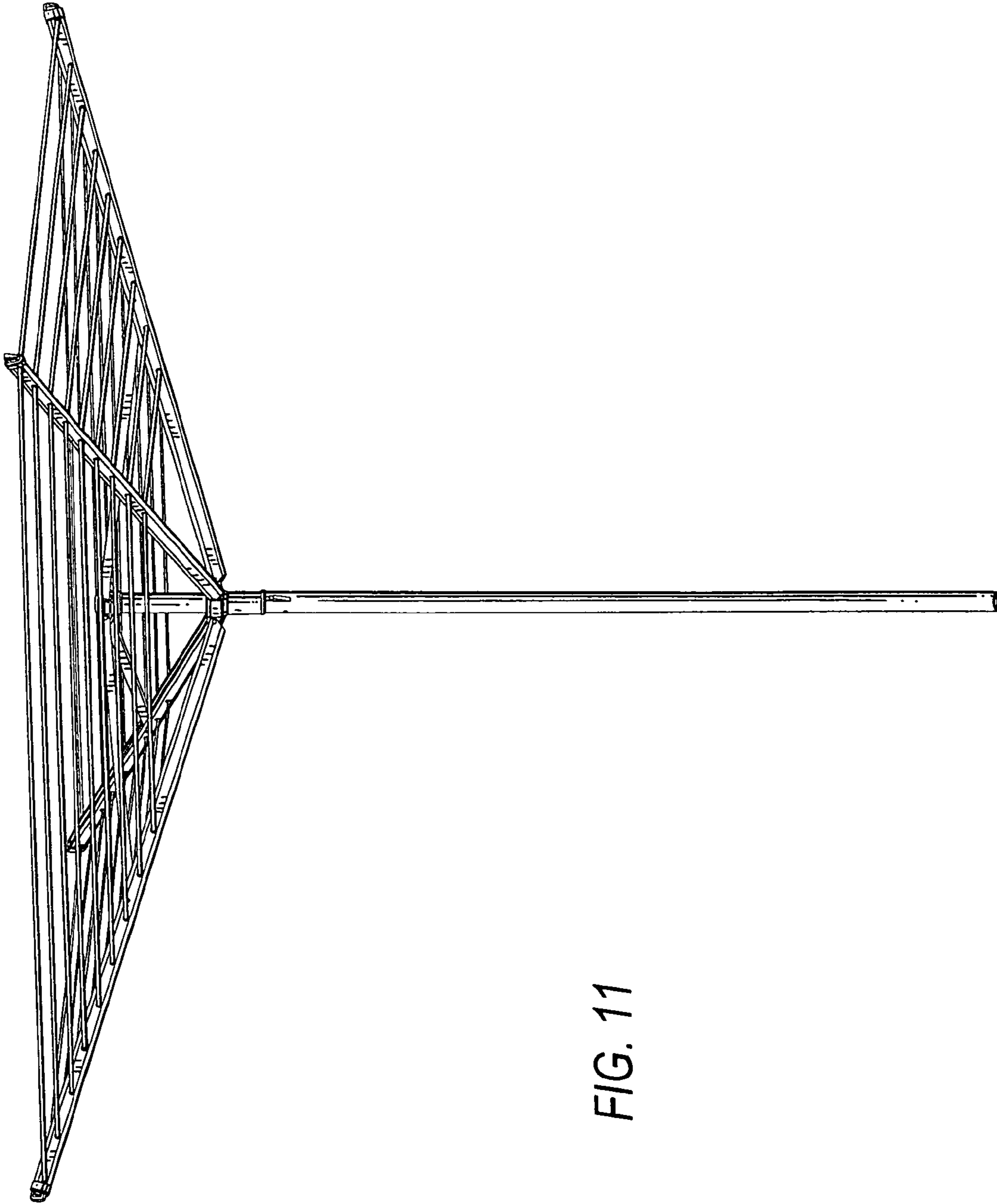


FIG. 11

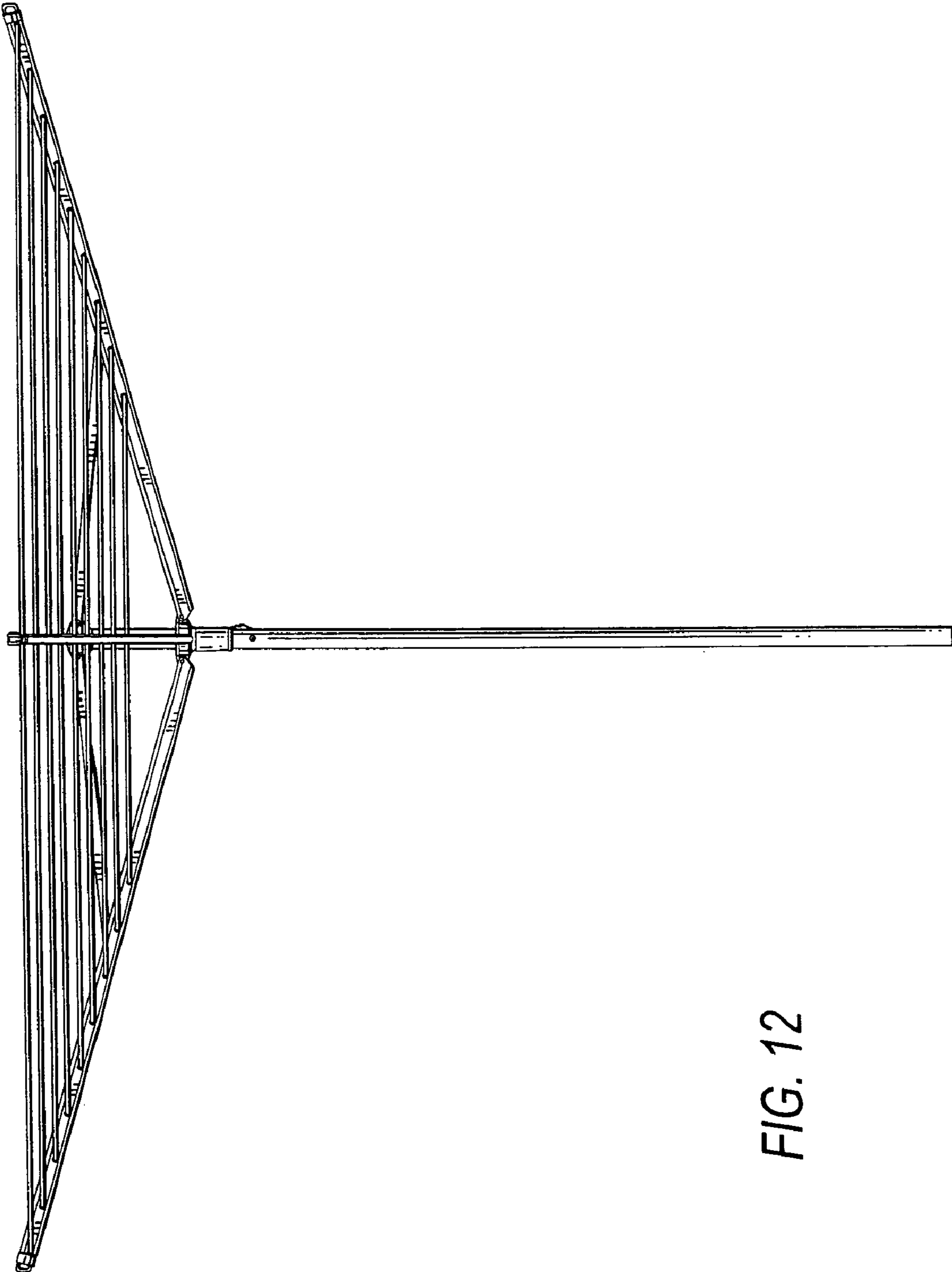


FIG. 12

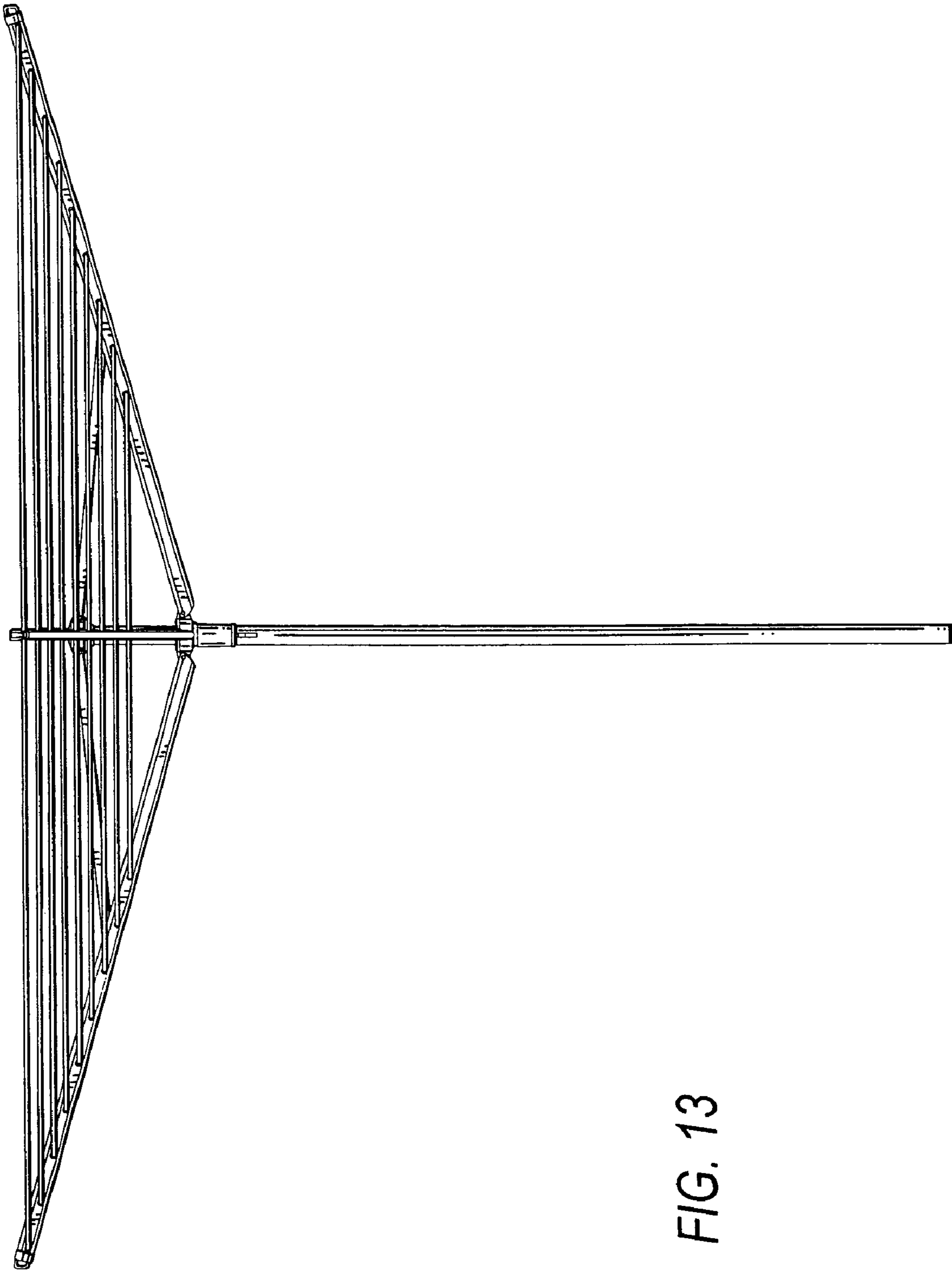


FIG. 13

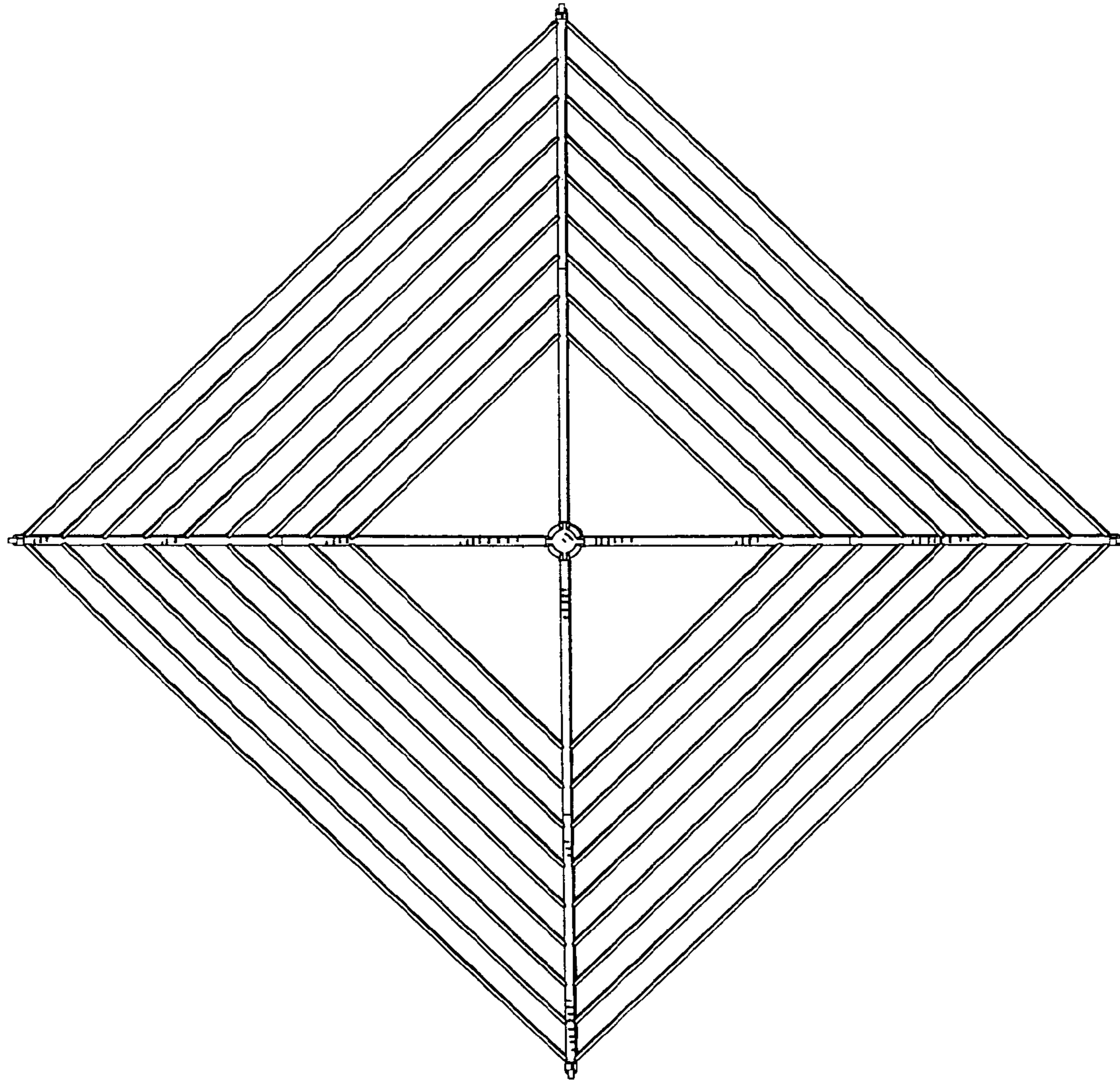


FIG. 14