



US00D545020S

(12) **United States Design Patent**
Yang et al.

(10) **Patent No.:** **US D545,020 S**
(45) **Date of Patent:** **** Jun. 19, 2007**

- (54) **DISH RACK**
- (75) Inventors: **Frank Yang**, Rancho Palos Verdes, CA (US); **Tzu-Hao Wei**, Hacienda Heights, CA (US); **Chih-Hong Hsieh**, West Covina, CA (US)
- (73) Assignee: **Simplehuman LLC**, Torrance, CA (US)
- (**) Term: **14 Years**
- (21) Appl. No.: **29/265,605**
- (22) Filed: **Sep. 5, 2006**
- (51) **LOC (8) Cl.** **07-05**
- (52) **U.S. Cl.** **D32/55**
- (58) **Field of Classification Search** D32/55-59;
D3/304-306, 312, 314; D6/566-567; D7/667;
220/485, 487-488, 494, 572; 211/88.01,
211/86.01, 41.2-41.4, 85.25, 181.1, 126.8,
211/126.9, 41.8, 41.9; 206/509, 513
See application file for complete search history.

- 3,203,557 A 8/1965 Ettinger, Jr.
- 3,217,890 A 11/1965 Maslow
- 3,433,363 A 3/1969 Clearman
- 3,941,273 A 3/1976 Dalencon
- 3,960,290 A 6/1976 Yake et al.
- D271,339 S 11/1983 Lee
- 4,635,799 A 1/1987 Penner
- 4,974,806 A 12/1990 Matern
- 4,974,896 A 12/1990 Matern
- D321,771 S 11/1991 Cavicchia
- 5,119,943 A 6/1992 Hoang
- D347,718 S 6/1994 Craft et al.
- 5,431,294 A 7/1995 Stottmann et al.
- D370,323 S 5/1996 Lafond
- D373,866 S 9/1996 Belden et al.
- D376,882 S 12/1996 Cook
- 5,605,236 A 2/1997 Welch
- 5,704,492 A 1/1998 Bartko
- 5,775,518 A 7/1998 Connor

(Continued)

Primary Examiner—Pamela J. Burgess
(74) *Attorney, Agent, or Firm*—Raymond Sun

(56) **References Cited**

U.S. PATENT DOCUMENTS

- 591,377 A 10/1897 Bunce
- 1,604,608 A 10/1926 Ryerson
- 1,682,654 A 8/1928 Andrews
- D97,654 S 11/1935 Watral
- D174,073 S * 2/1955 Bliss D32/55
- 2,708,037 A 5/1955 Planeta
- 2,739,715 A 3/1956 Planeta
- 2,864,509 A 12/1958 Watral
- 2,885,087 A 5/1959 Bliss
- 2,886,087 A 5/1959 Pasinski
- 2,936,898 A 5/1960 Miguez
- D189,311 S 11/1960 Christoffersen
- 3,032,203 A * 5/1962 Romero 211/41.4
- D194,056 S * 11/1962 Chapman D32/55
- 3,169,641 A * 2/1965 Chapman 211/74

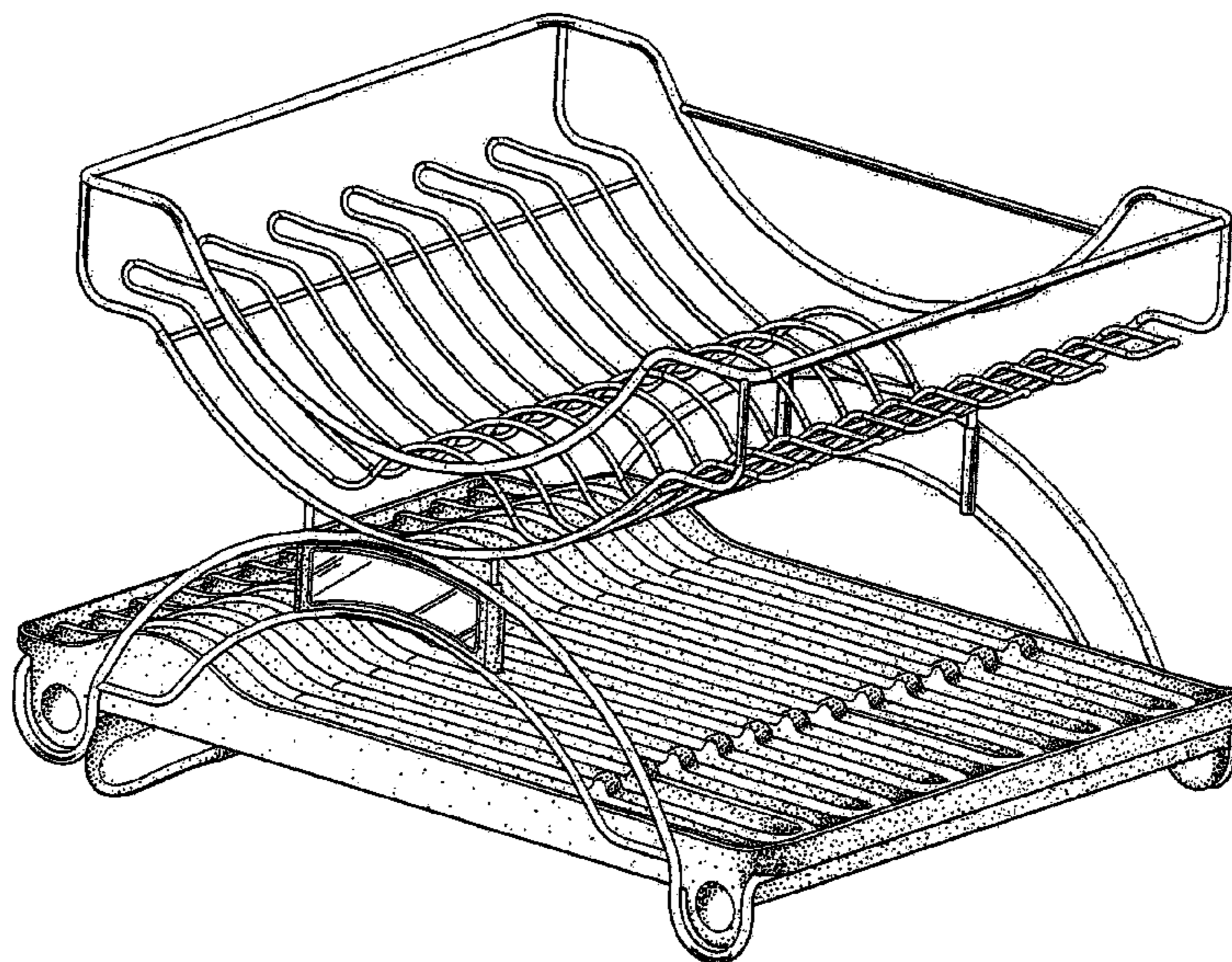
(57) **CLAIM**

The ornamental design for a dish rack, as shown and described.

DESCRIPTION

FIG. 1 is a perspective view of the dish rack.
 FIG. 2 is a front plan view of the dish rack of FIG. 1.
 FIG. 3 is a rear plan view of the dish rack of FIG. 1.
 FIG. 4 is a left side plan view of the dish rack of FIG. 1.
 FIG. 5 is a right side plan view of the dish rack of FIG. 1.
 FIG. 6 is a top plan view of the dish rack of FIG. 1; and,
 FIG. 7 is a bottom plan view of the dish rack of FIG. 1.

1 Claim, 7 Drawing Sheets



US D545,020 S

Page 2

U.S. PATENT DOCUMENTS

| | | | | | | |
|--------------|--------|-----------|-----------------|---------|-------------------|--------|
| D398,725 S | 9/1998 | Merkel | 6,659,406 B2 | 12/2003 | Tsuchida | |
| D423,160 S | 4/2000 | Lenney | D488,891 S | 4/2004 | Smith et al. | |
| 6,109,455 A | 8/2000 | Schroeder | D506,855 S * | 6/2005 | Compagnucci | D32/3 |
| 6,364,131 B1 | 4/2002 | Moylan | D520,699 S * | 5/2006 | Yang et al. | D32/55 |
| 6,371,312 B1 | 4/2002 | Tsuchida | 2002/0185166 A1 | 12/2002 | Rosenbauer et al. | |

* cited by examiner

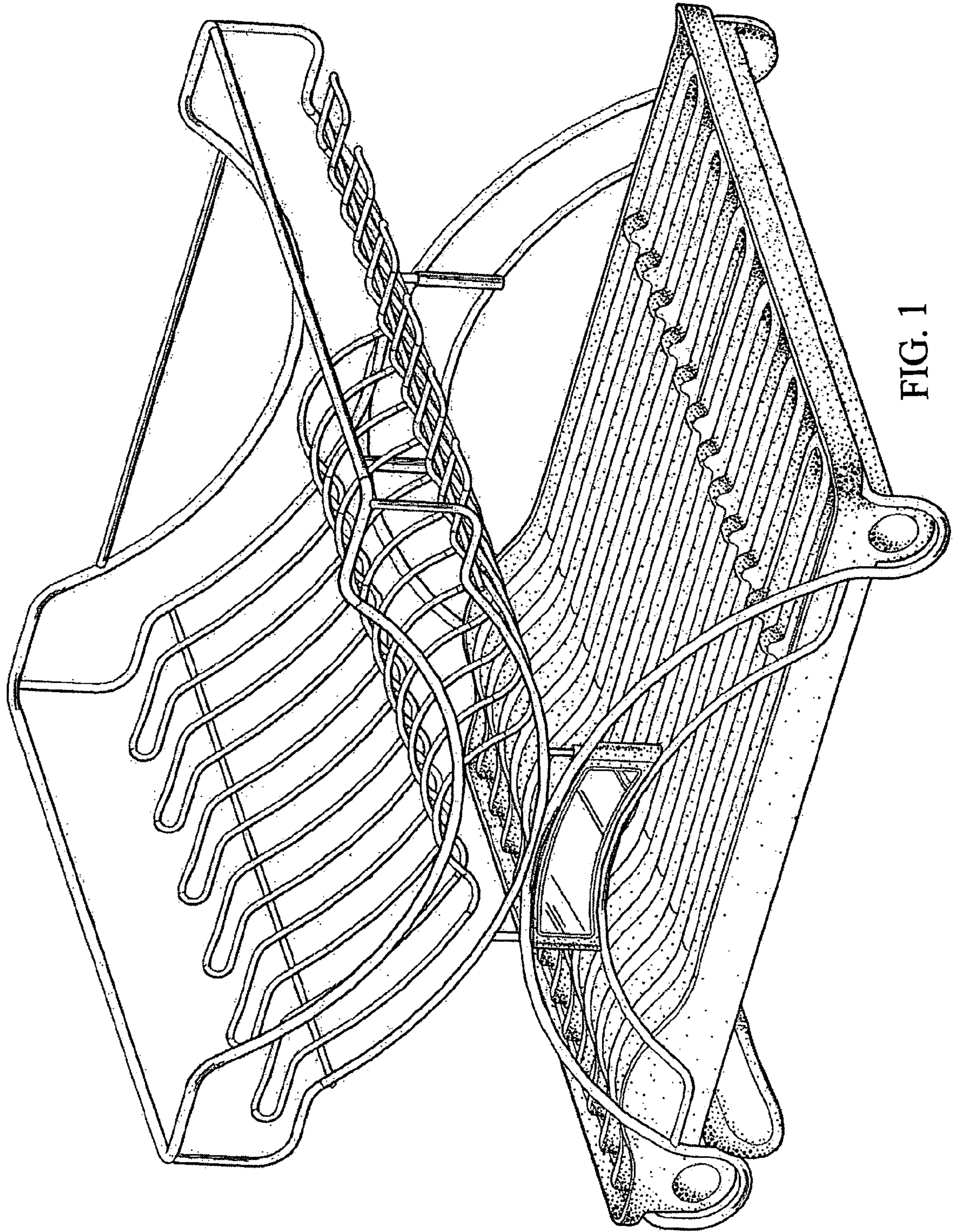


FIG. 1

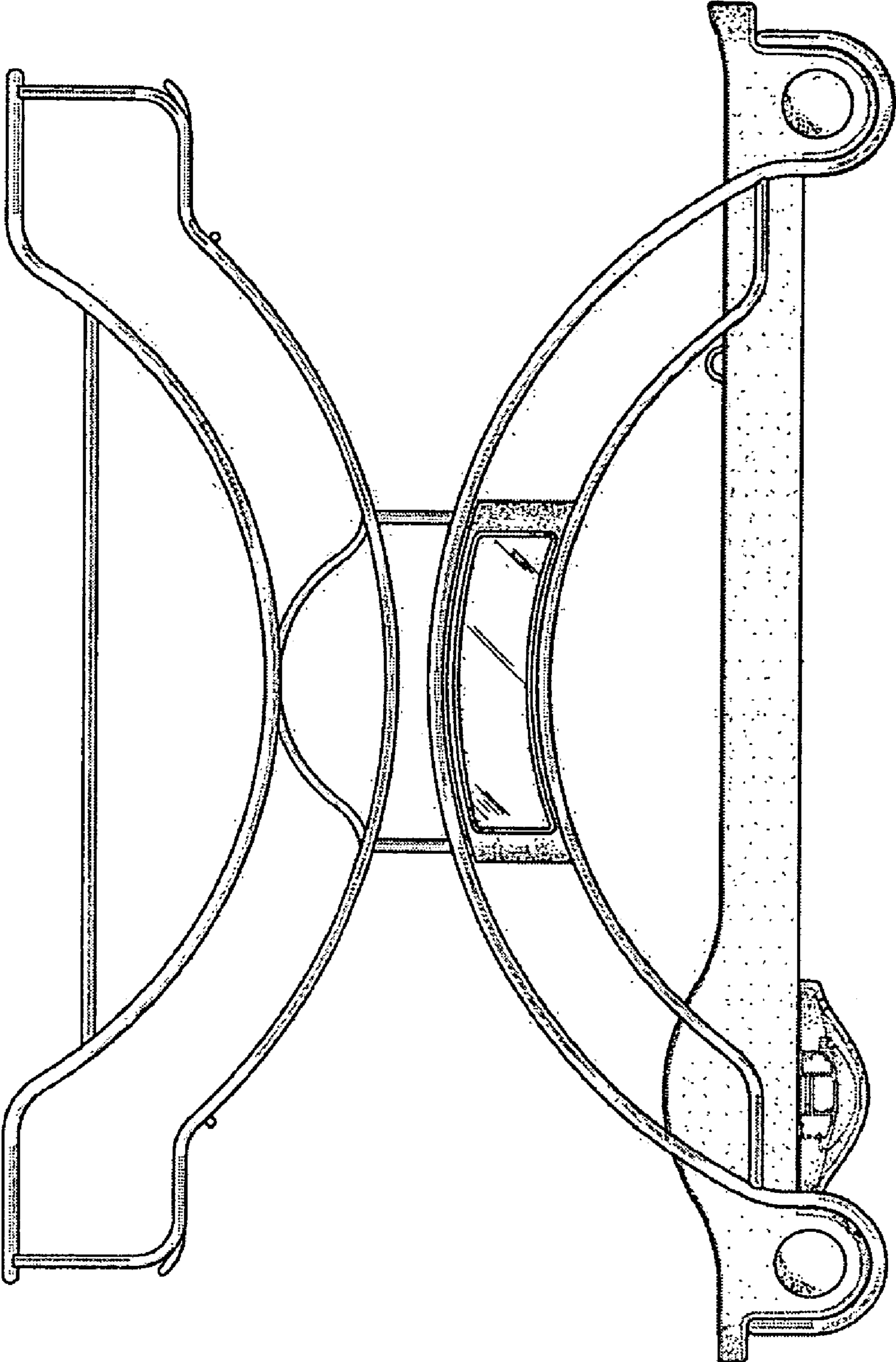


FIG. 2

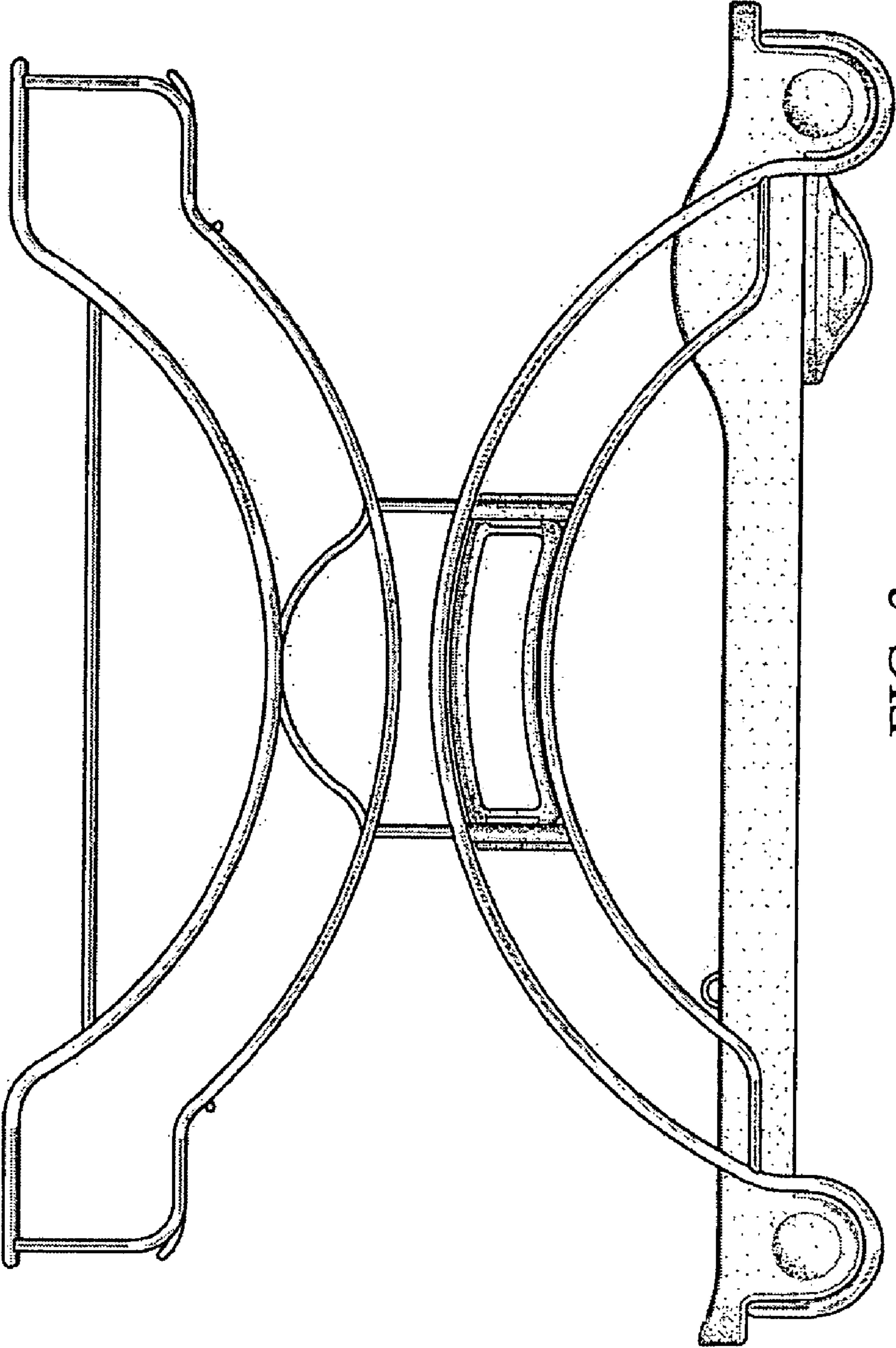


FIG. 3

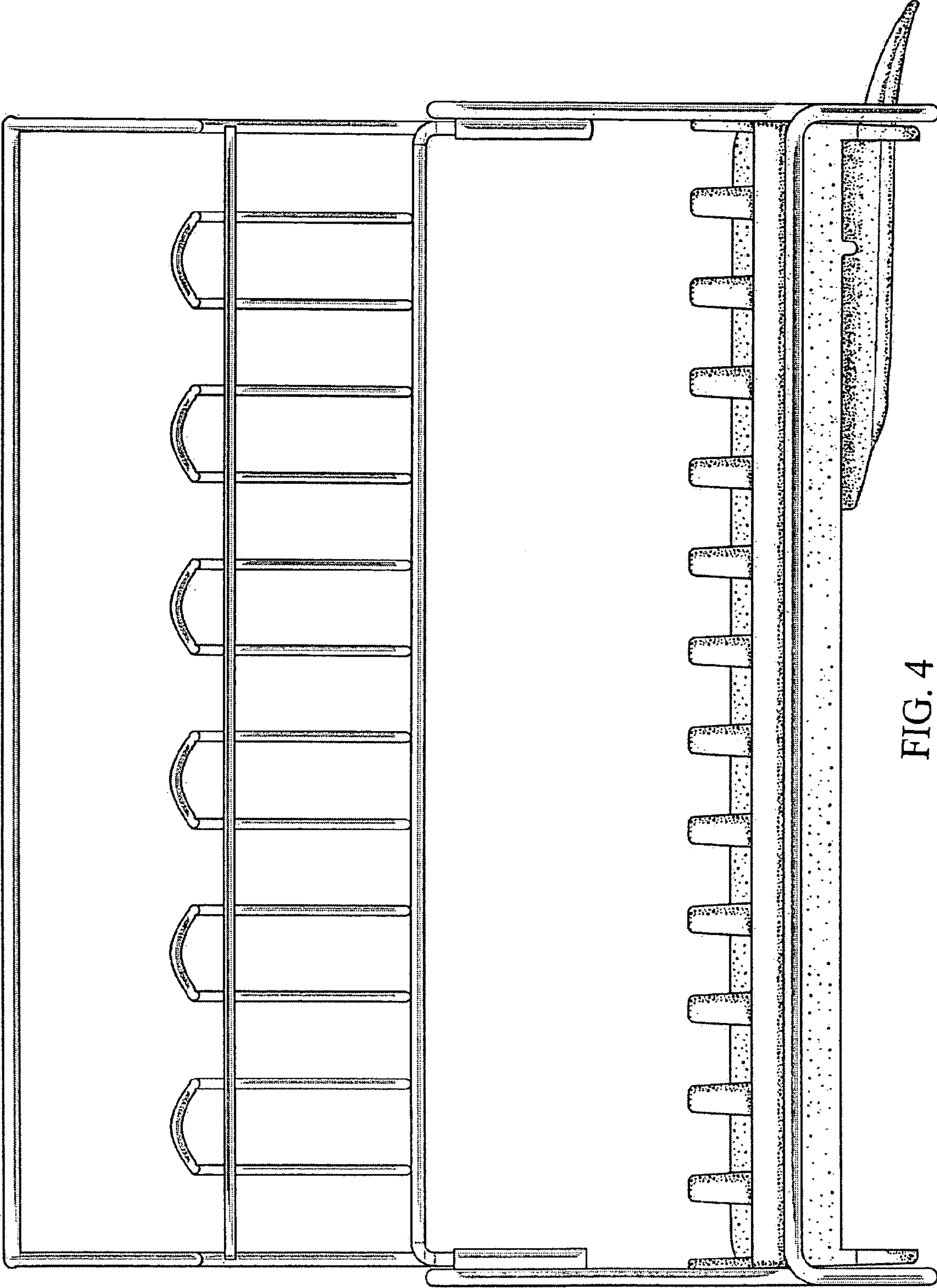


FIG. 4

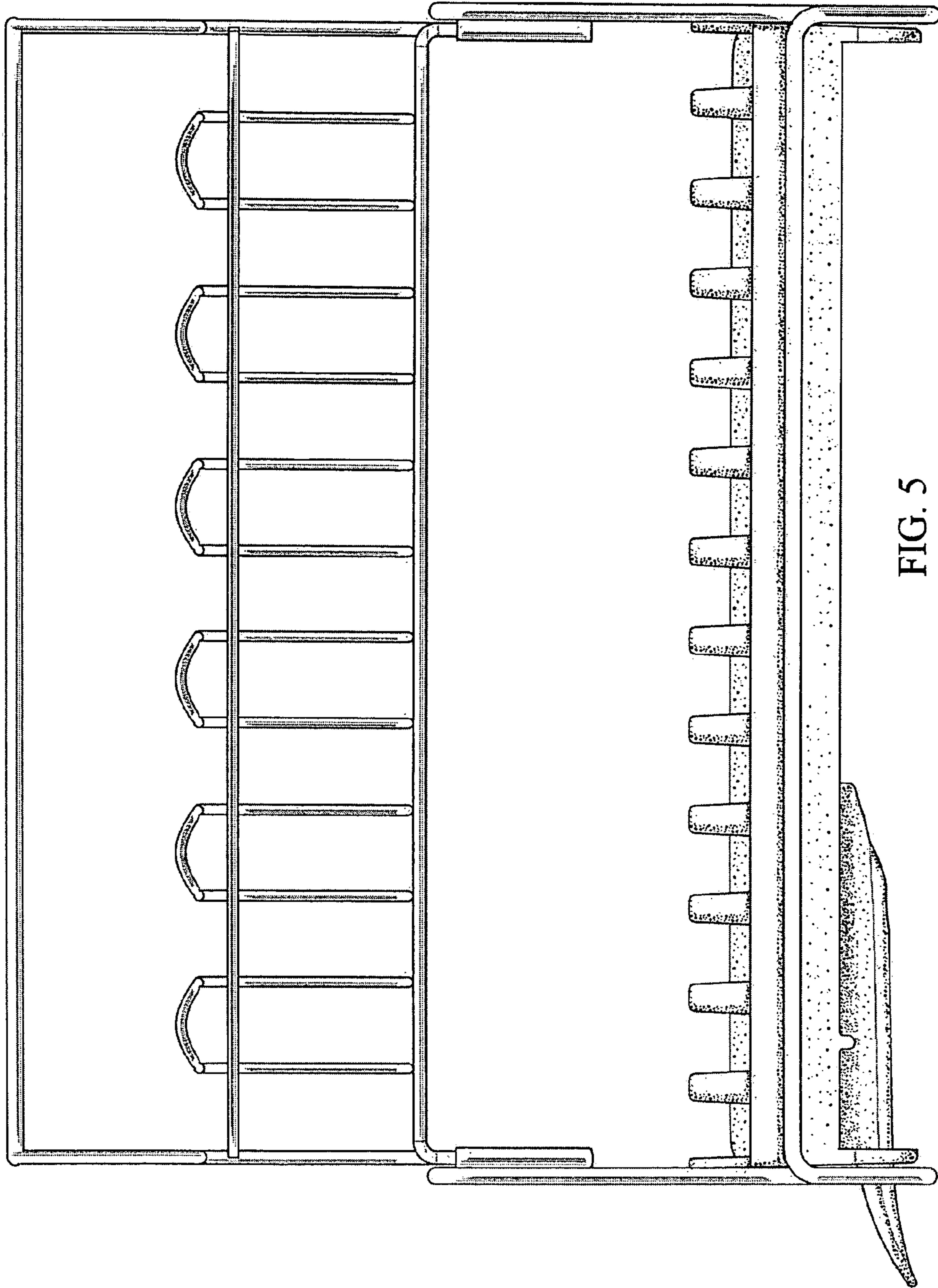


FIG. 5

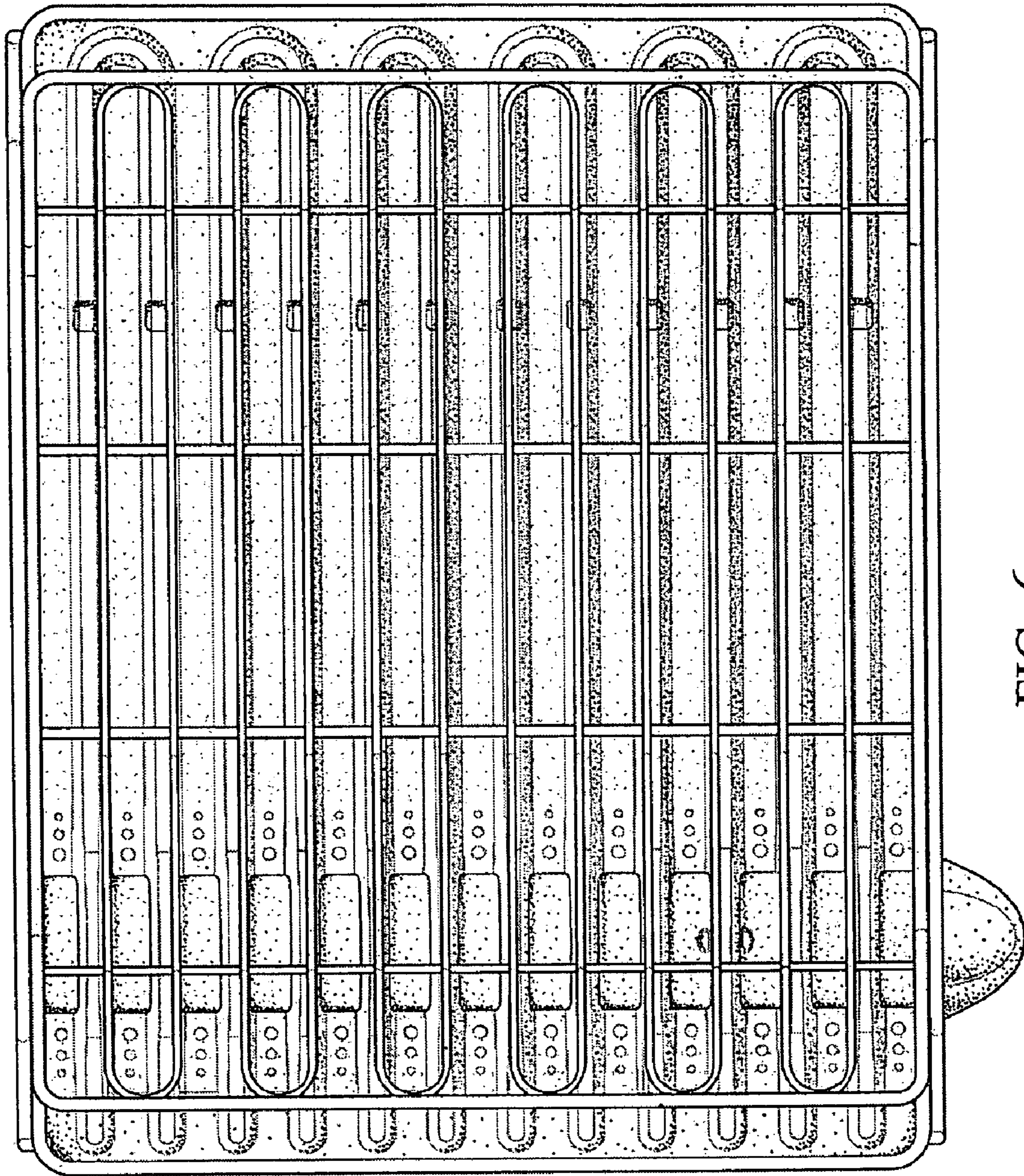


FIG. 6

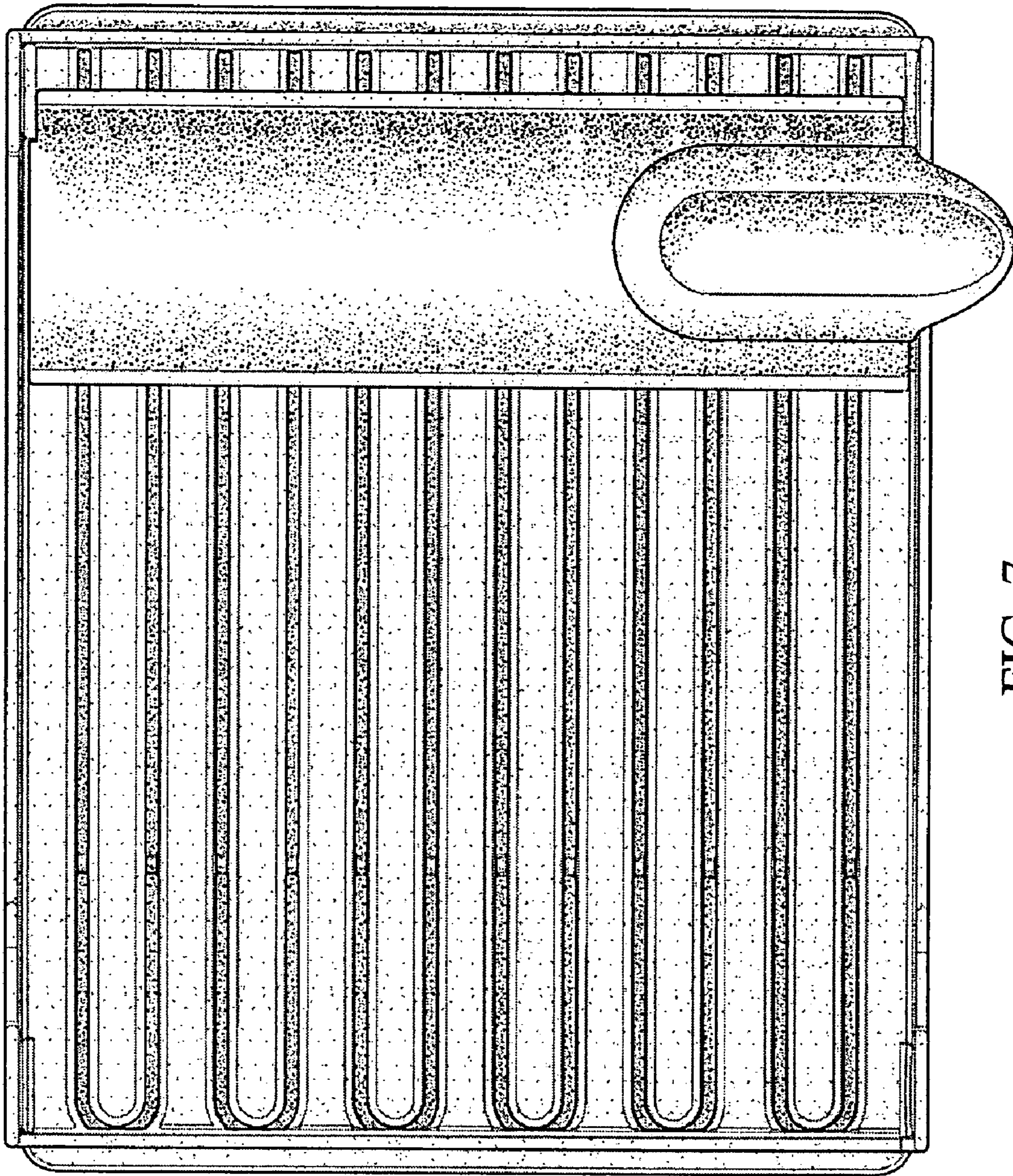


FIG. 7