



US00D545019S

(12) **United States Design Patent**
Harper et al.

(10) **Patent No.:** **US D545,019 S**
(45) **Date of Patent:** **** Jun. 19, 2007**

(54) **PORTION OF A CLEANING IMPLEMENT**

(75) Inventors: **Richard Michael Harper**, Cincinnati, OH (US); **James Edward Poland**, Park Hills, KY (US); **John Philip Stoddard**, Ben Lomond, CA (US); **Anthony Piazza**, Palo Alto, CA (US); **Pontus Kaj Björn Wahlgren**, London (GB)

(73) Assignee: **The Procter & Gamble Company**, Cincinnati, OH (US)

(**) Term: **14 Years**

(21) Appl. No.: **29/227,596**

(22) Filed: **Apr. 13, 2005**

(51) **LOC (8) Cl.** **04-01**

(52) **U.S. Cl.** **D32/50**

(58) **Field of Classification Search** D32/40, D32/50, 51, 15, 17, 18, 19, 21, 22, 25, 31, D32/32, 33, 35, 38, 39, 52; 15/146, 147.1, 15/149, 159.1, 171, 190, 209.1, 228, 231, 15/41.1, 42, 43, 46, 48, 79.1, 363, 105, 342, 15/349, 364, 388, 288, 4, 116.2, 143.1, 97.1, 15/96, 300.1; D4/100, 116, 134, 137, 138, D4/199

See application file for complete search history.

(56) **References Cited**

U.S. PATENT DOCUMENTS

5,390,390	A *	2/1995	Kresse et al.	15/228
5,815,878	A *	10/1998	Murakami et al.	15/231
5,845,361	A *	12/1998	Murakami et al.	15/231
5,888,006	A *	3/1999	Ping et al.	401/139
D409,343	S *	5/1999	Kingry et al.	D32/50
5,915,437	A *	6/1999	Petner	15/228
D458,457	S *	6/2002	Sugano et al.	D4/132
D465,890	S *	11/2002	Rivera et al.	D32/50

6,513,184	B1 *	2/2003	Brown et al.	15/231
D481,184	S *	10/2003	Clare et al.	D32/50
D490,952	S *	6/2004	Ajluni	D32/50
D503,836	S *	4/2005	Hall et al.	D32/50
D506,050	S *	6/2005	Lalanne et al.	D32/45
D510,466	S *	10/2005	Rosenzweig	D32/32
D513,102	S *	12/2005	Davis-Wilson et al.	D32/50
D530,049	S *	10/2006	Berti	D32/44
7,137,169	B2 *	11/2006	Murphy et al.	15/320
D539,496	S *	3/2007	Sickler et al.	D32/41
2004/0074520	A1 *	4/2004	Truong et al.	134/6
2004/0177461	A1 *	9/2004	Ajluni	15/121
2006/0016037	A1 *	1/2006	Flora et al.	15/228

* cited by examiner

Primary Examiner—Alan P. Douglas

Assistant Examiner—Barbara Fox

(74) *Attorney, Agent, or Firm*—Larry L. Huston; Thibault Fayette; Kim W. Zerby

(57) **CLAIM**

The ornamental design for a portion of a cleaning implement, as shown and described.

DESCRIPTION

FIG. 1 is a perspective view of a portion of a cleaning implement, embodying the new design;

FIG. 2 is a top view thereof;

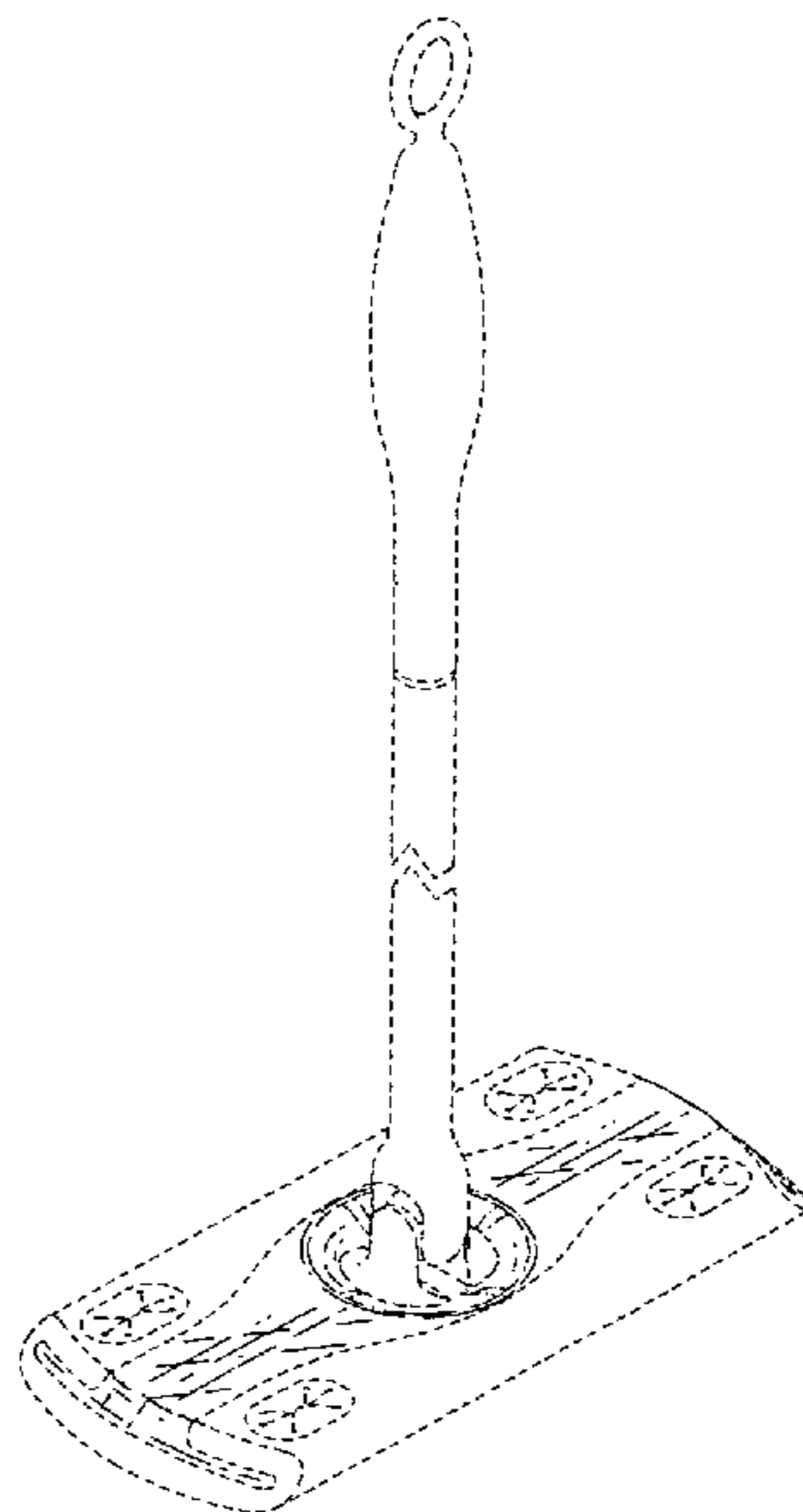
FIG. 3 is a bottom view thereof;

FIG. 4 is a front view thereof, the opposite back view is a mirror image thereto; and,

FIG. 5 is a right view thereof, the opposite left view is a mirror image thereto.

The broken lines shown in the drawings are for illustrative purposes only and form no part of the claimed design.

1 Claim, 2 Drawing Sheets



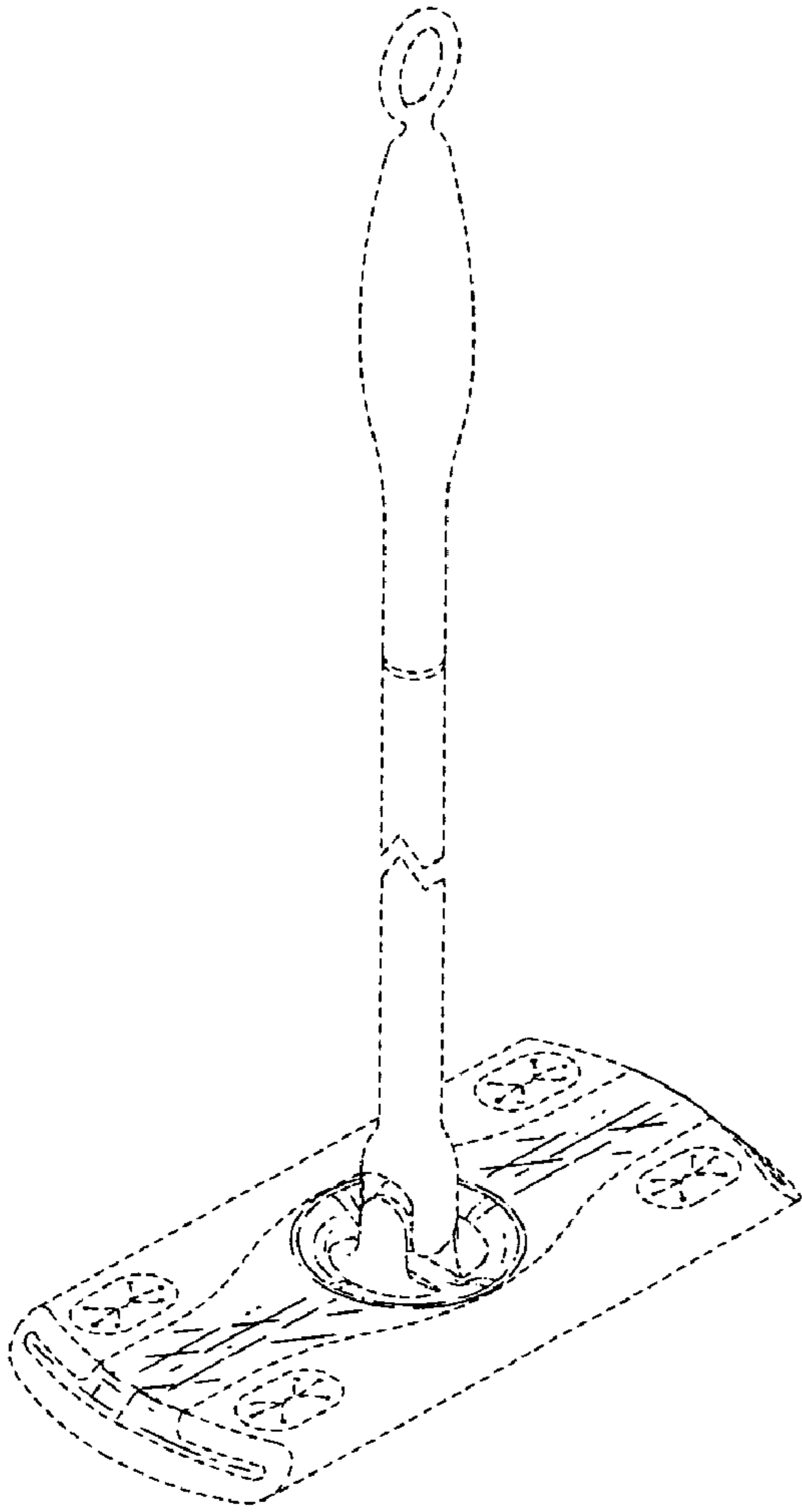


Fig. 1

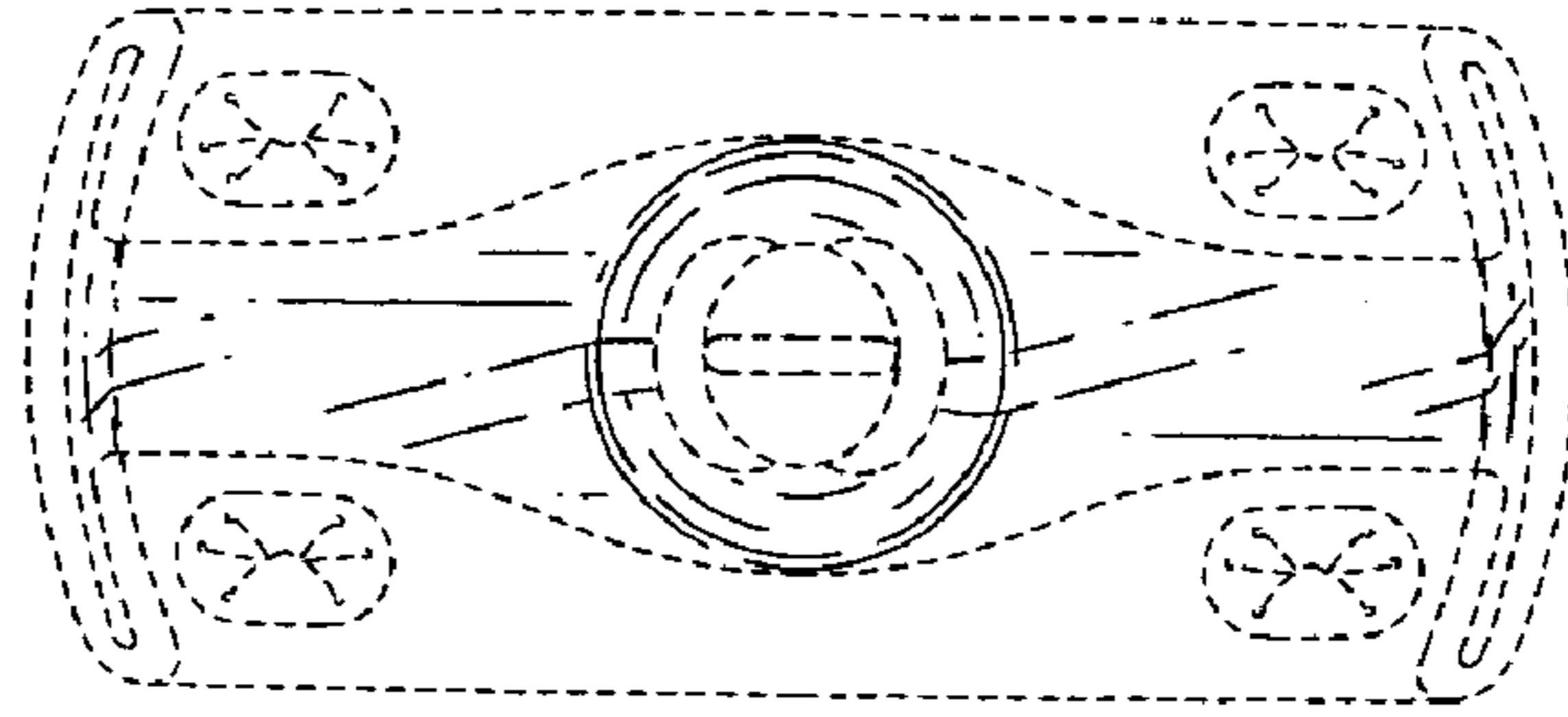


Fig. 2

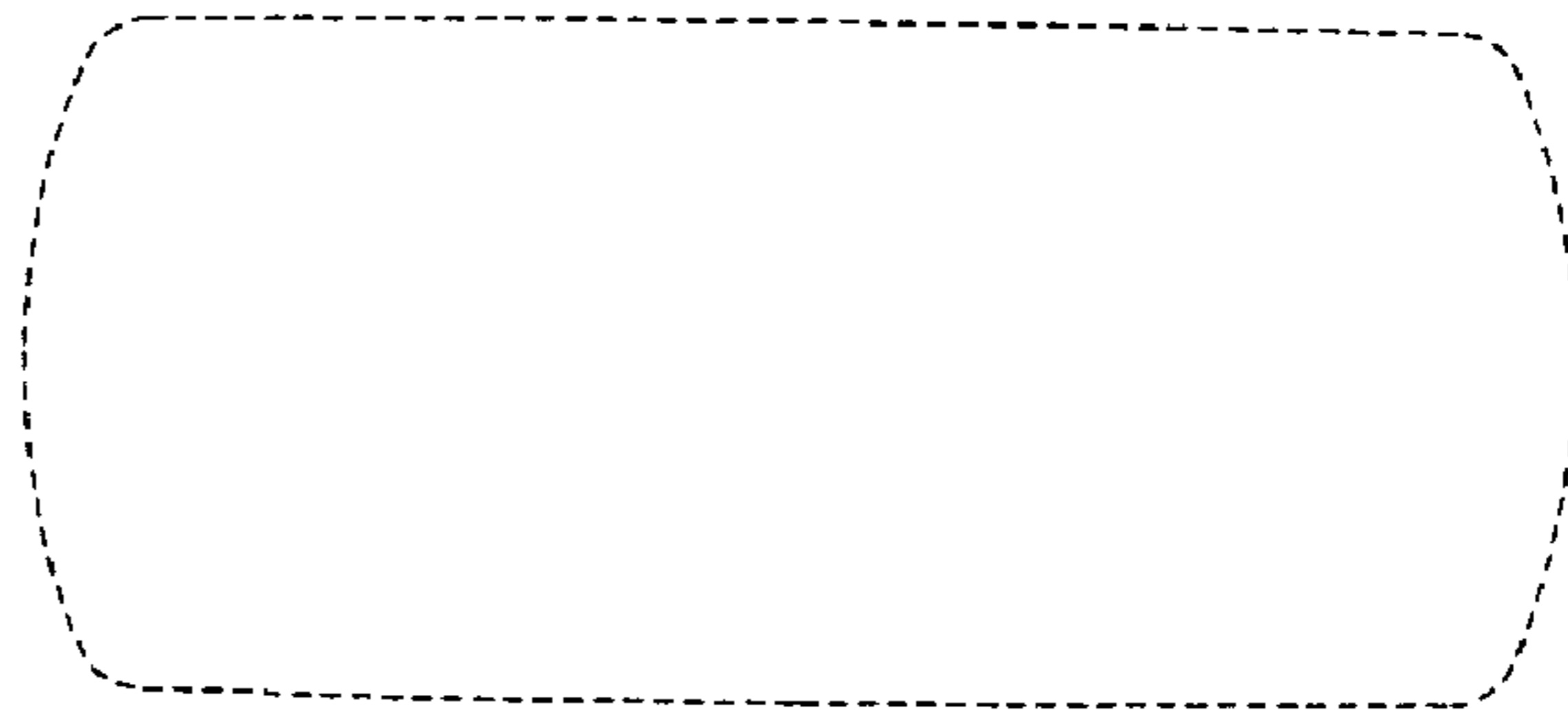


Fig. 3

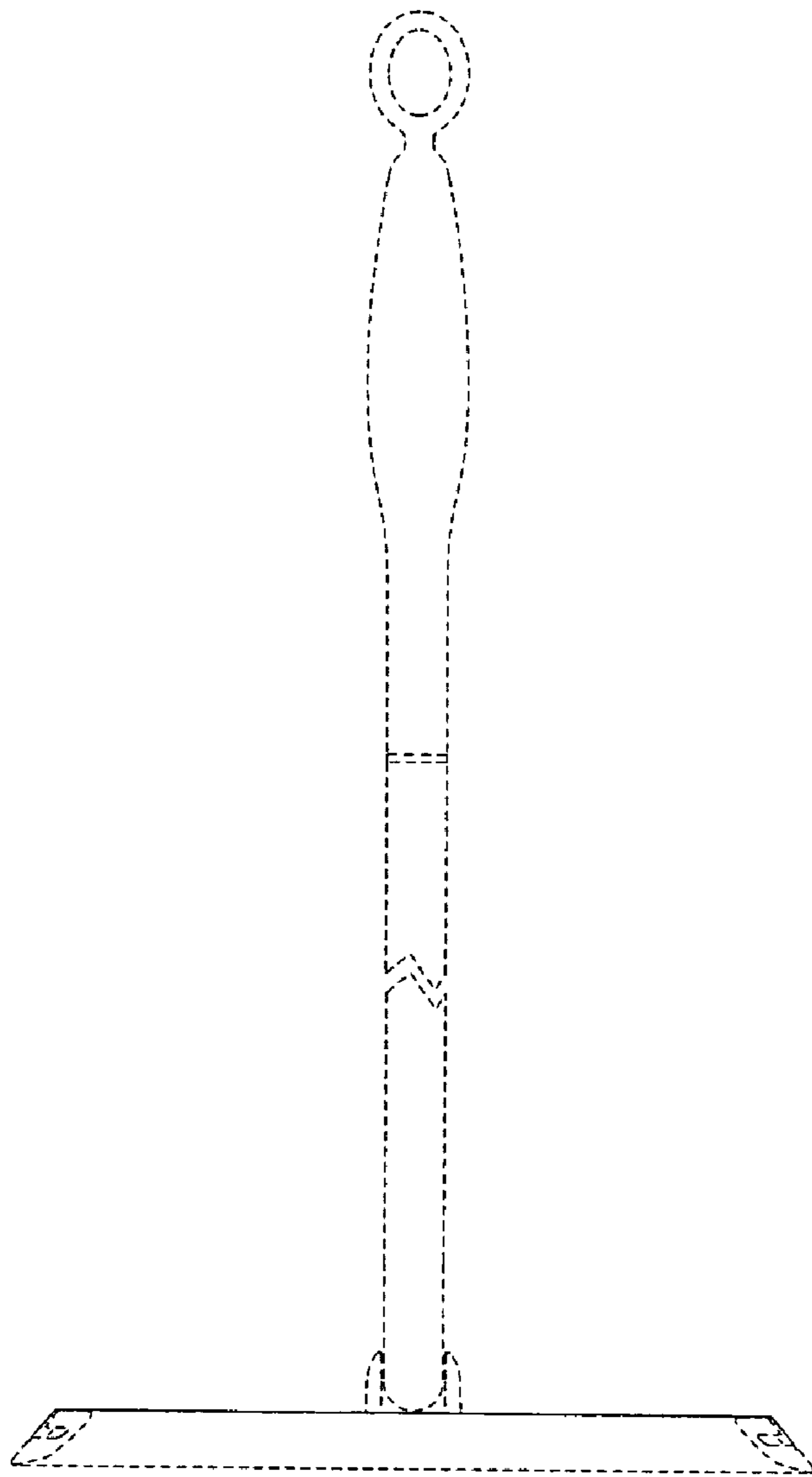


Fig. 4

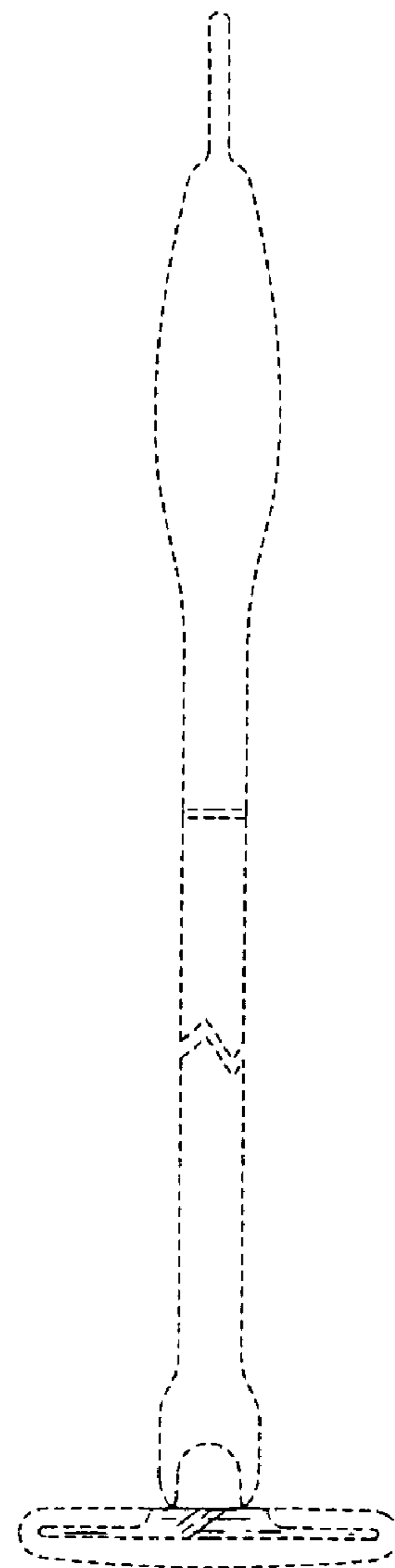


Fig. 5