

US00D545015S

(12) **United States Design Patent**
Santiago

(10) **Patent No.:** **US D545,015 S**

(45) **Date of Patent:** **** Jun. 19, 2007**

(54) **REAR PORTION OF SPOT CLEANER**

(75) Inventor: **Jose Carlito Santiago**, Grand Rapids, MI (US)

(73) Assignee: **Bissell Homecare, Inc.**, Grand Rapids, MI (US)

(**) Term: **14 Years**

(21) Appl. No.: **29/247,658**

(22) Filed: **Jun. 30, 2006**

4,859,102 A *	8/1989	Chamieh	401/17
D319,120 S	8/1991	Kuhn	
D326,778 S	6/1992	Vetter	
D406,680 S *	3/1999	Hakker	D32/35
D439,053 S	3/2001	Hay	
D473,358 S *	4/2003	Miller	D32/35
D477,917 S	8/2003	Giacolo et al.	
D479,405 S	9/2003	Bressler et al.	
D503,539 S *	4/2005	Tani	D4/114
D505,749 S	5/2005	Angeletta	
D507,407 S *	7/2005	Woods	D4/132
D509,752 S *	9/2005	Sakai et al.	D4/114
D514,817 S *	2/2006	Huang	D4/121

Related U.S. Application Data

(63) Continuation of application No. 29/246,172, filed on Mar. 7, 2006.

(51) **LOC (8) Cl.** **08-99**

(52) **U.S. Cl.** **D32/35; D4/136**

(58) **Field of Classification Search** D32/35, D32/45; D4/146, 114, 121, 127, 130, 132-133, D4/136, 138; 15/105.52, 107, 114, 118, 15/237, 142, 104.92, 21.1, 320-321, 323; 401/145, 6; D9/715

See application file for complete search history.

(56) **References Cited**

U.S. PATENT DOCUMENTS

D226,045 S *	1/1973	Yran	D24/211
D226,142 S	1/1973	Brainerd et al.	
D226,249 S	1/1973	Brainerd et al.	
D230,433 S	2/1974	Brainerd et al.	
D231,036 S	3/1974	Brainerd et al.	
D231,037 S	3/1974	Brainerd et al.	
D231,038 S	3/1974	Brainerd et al.	
D231,039 S	3/1974	Brainerd et al.	
D231,040 S	3/1974	Brainerd et al.	
D231,041 S	3/1974	Brainerd et al.	

FOREIGN PATENT DOCUMENTS

WO 2005/009198 A1 2/2005

* cited by examiner

Primary Examiner—Pamela J. Burgess

(74) *Attorney, Agent, or Firm*—McGarry Bair PC

(57) **CLAIM**

The ornamental design for a rear portion of a spot cleaner, as shown and described.

DESCRIPTION

FIG. 1 is a front perspective view of a rear portion of a spot cleaner which embodies my design;

FIG. 2 is a rear perspective view thereof;

FIG. 3 is a rear view thereof;

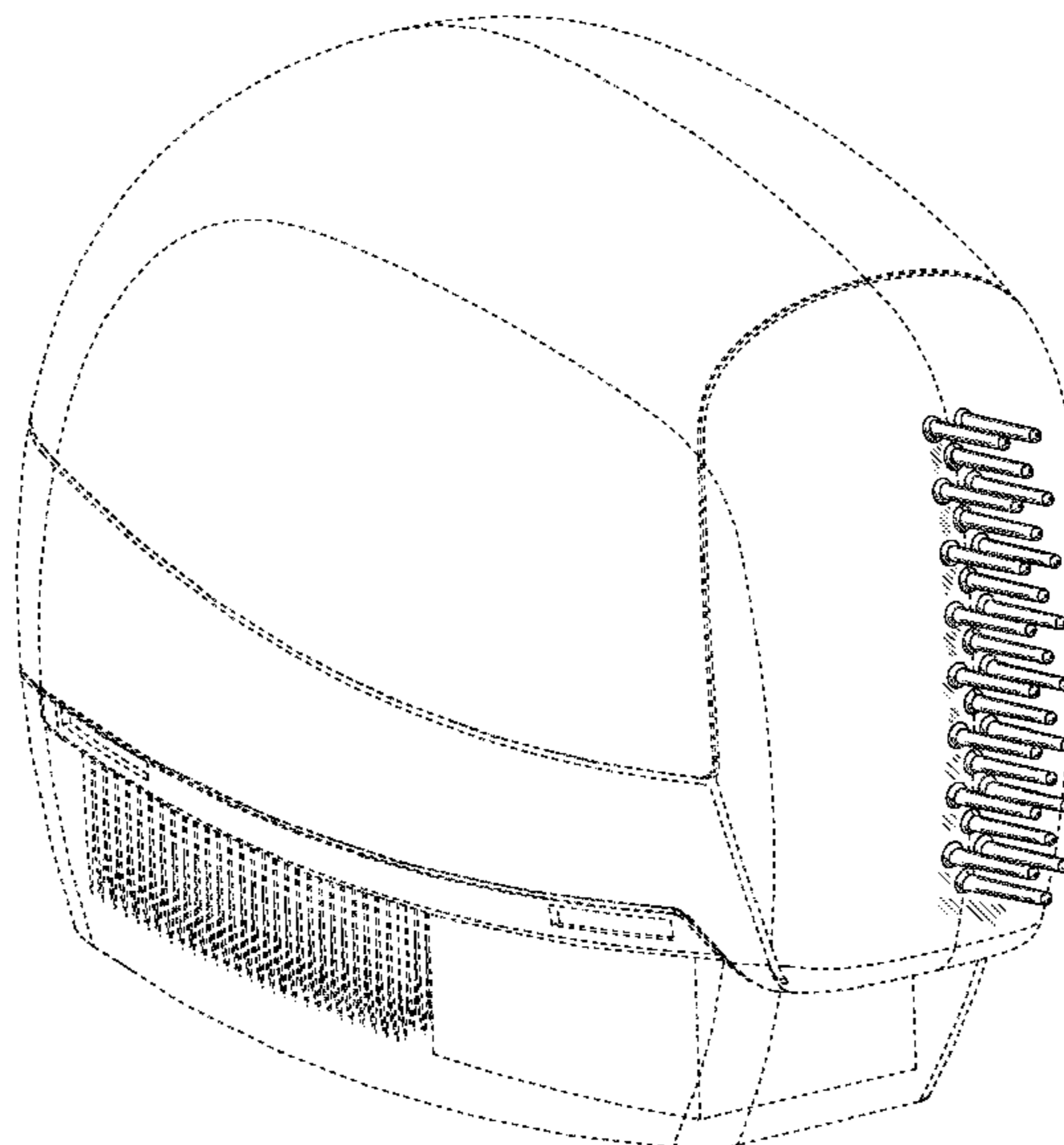
FIG. 4 is a left side view thereof;

FIG. 5 is a right side view thereof; and,

FIG. 6 is a bottom view thereof.

The broken lines shown in the drawings are for illustrative purposes only and form no part of the claimed design.

1 Claim, 6 Drawing Sheets



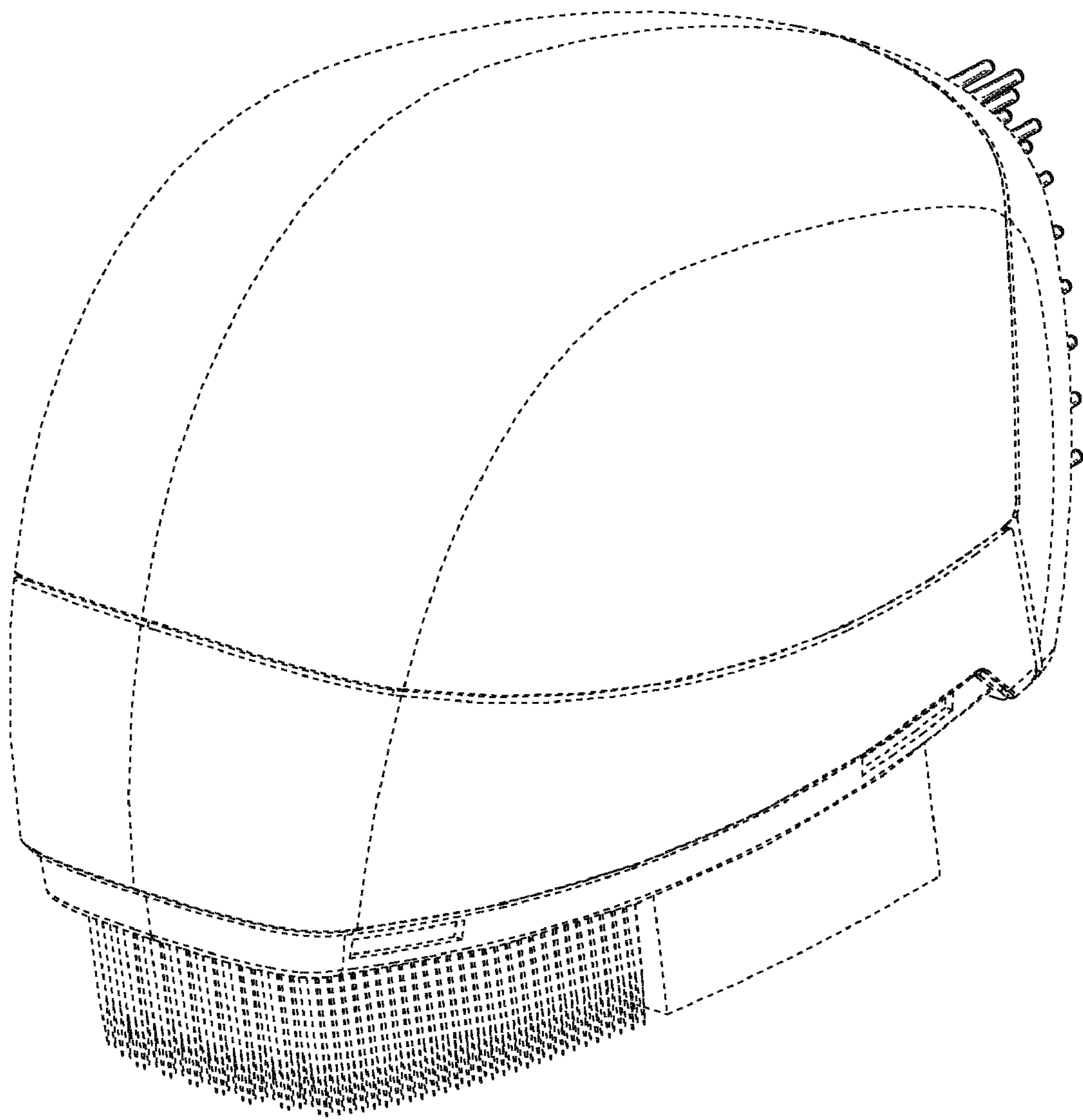


Fig. 1

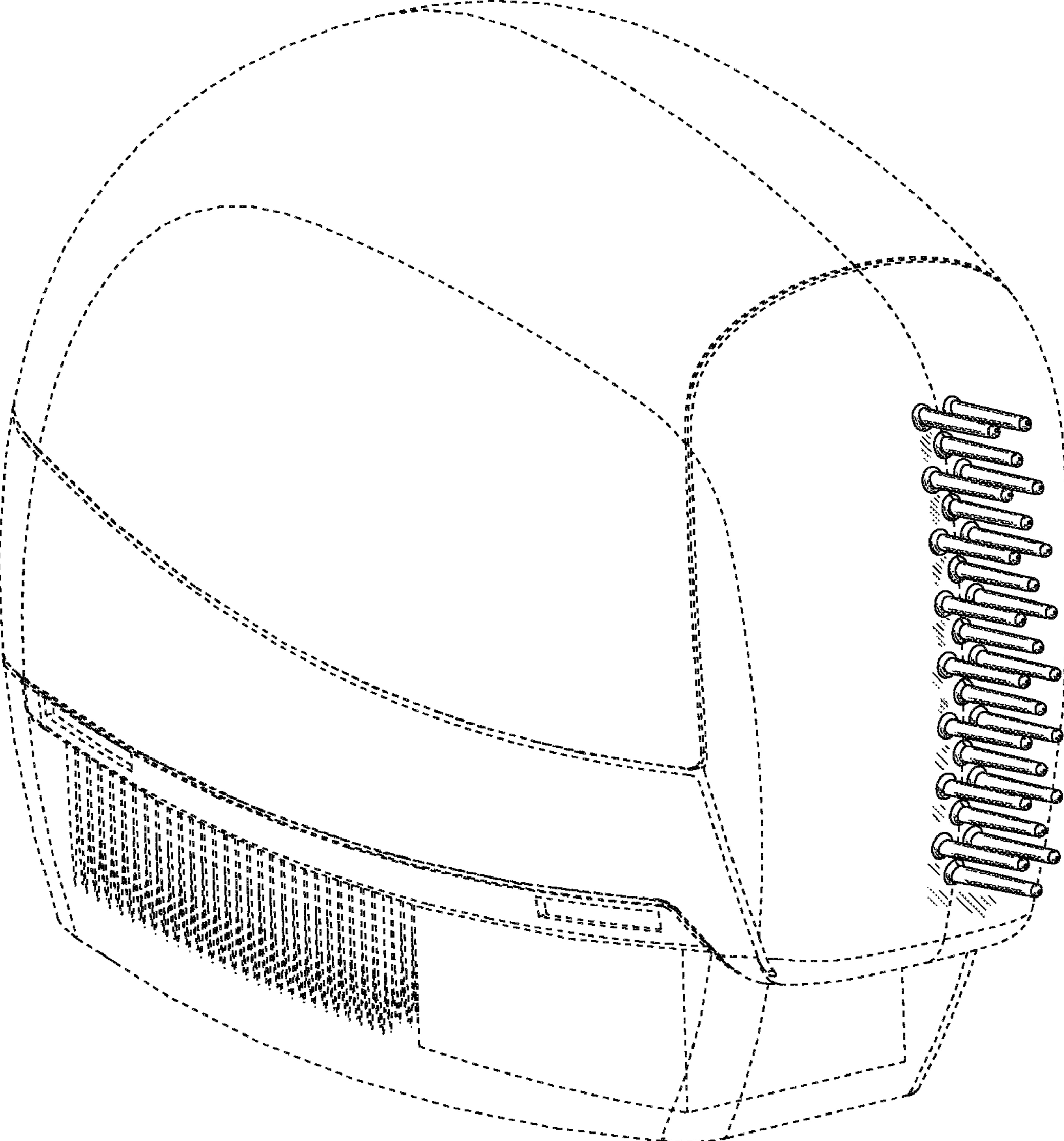


Fig. 2

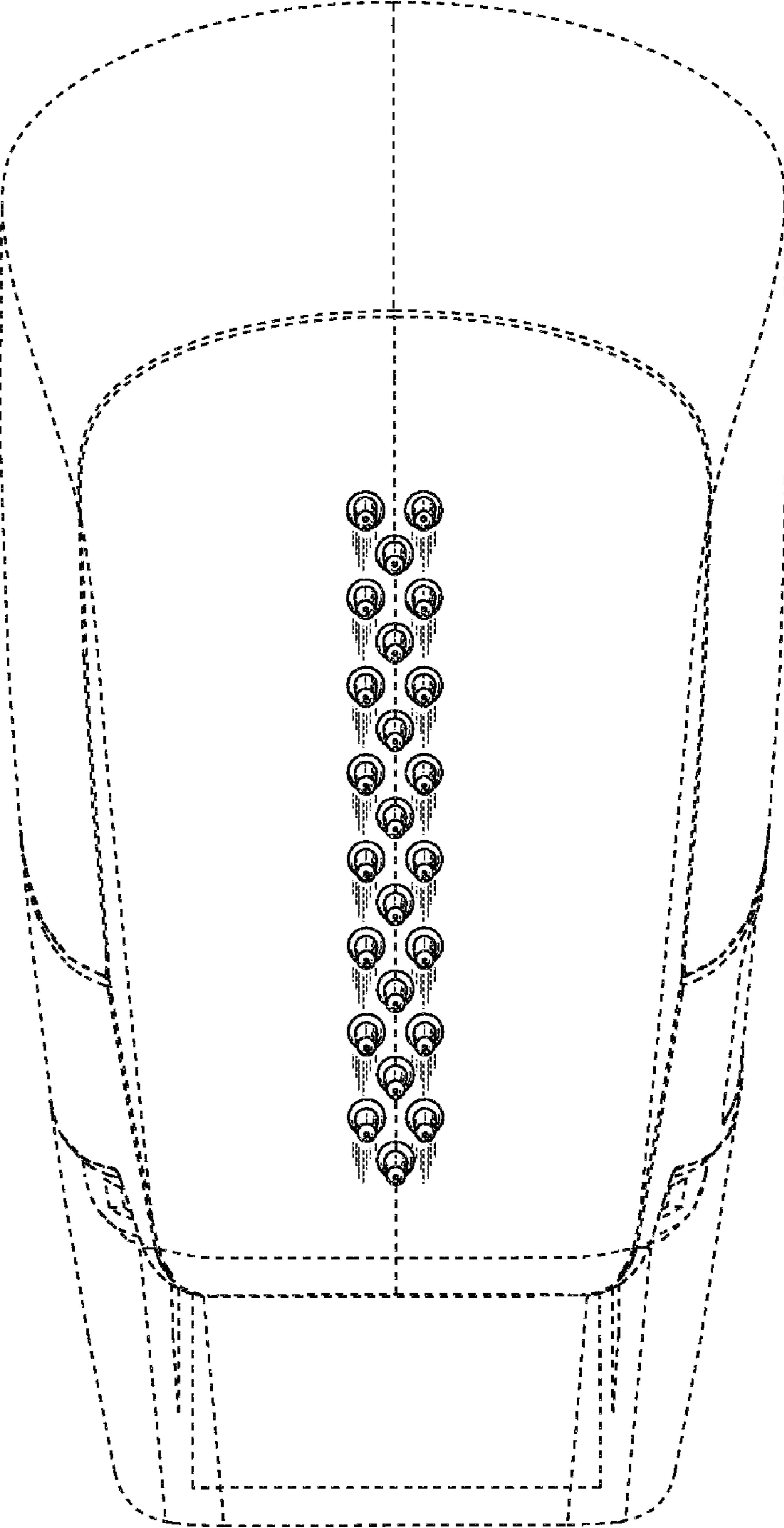


Fig. 3

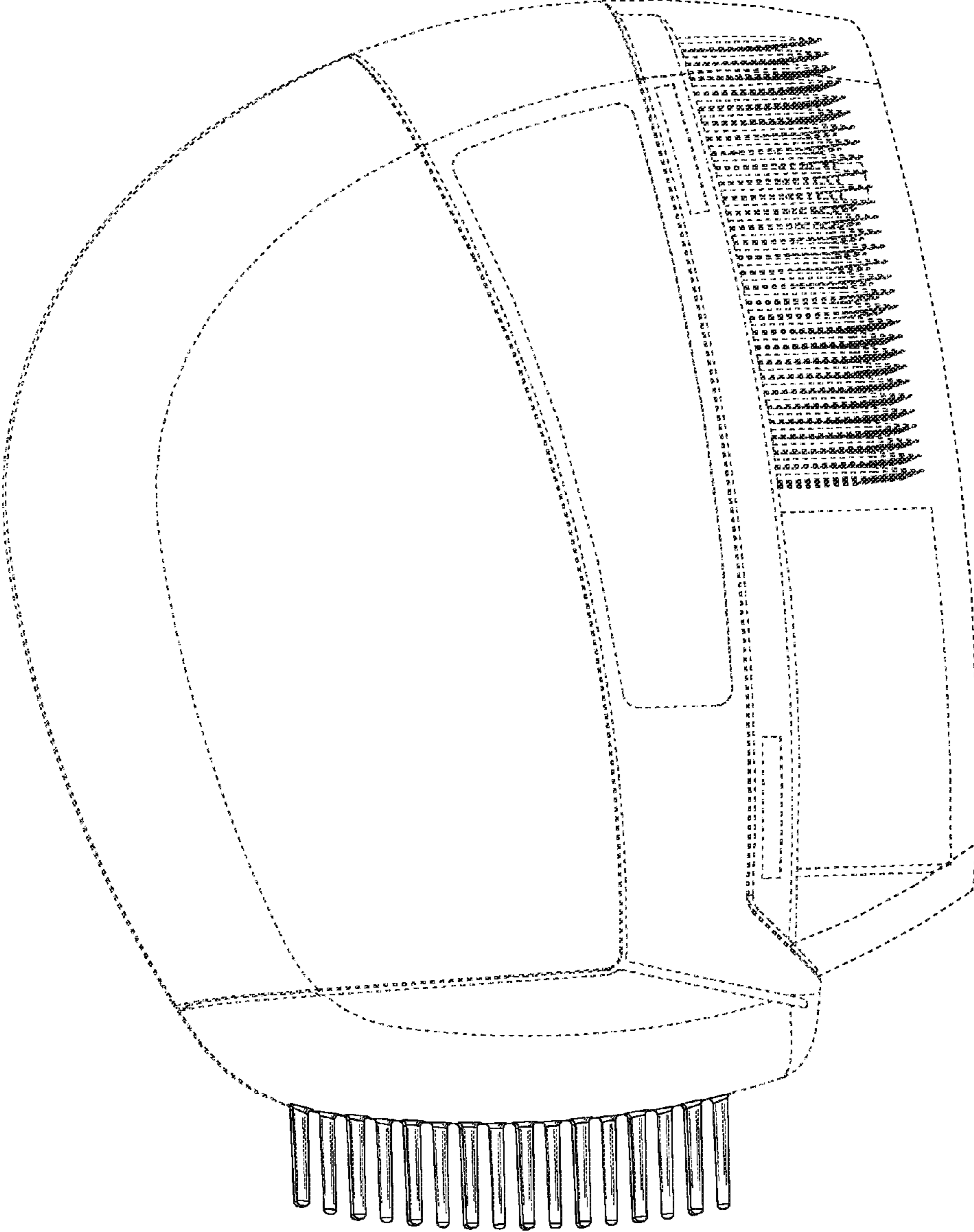


Fig. 4

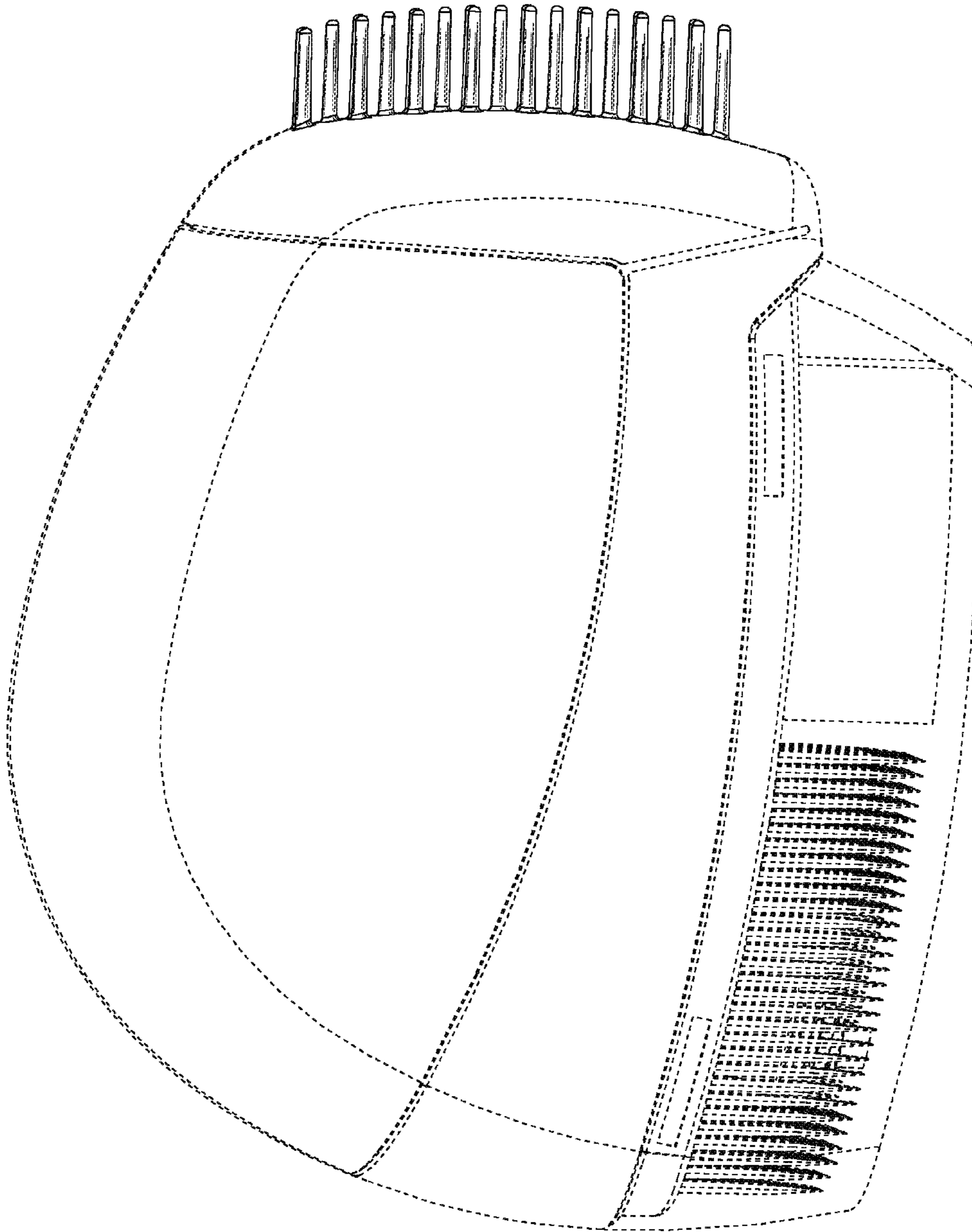


Fig. 5

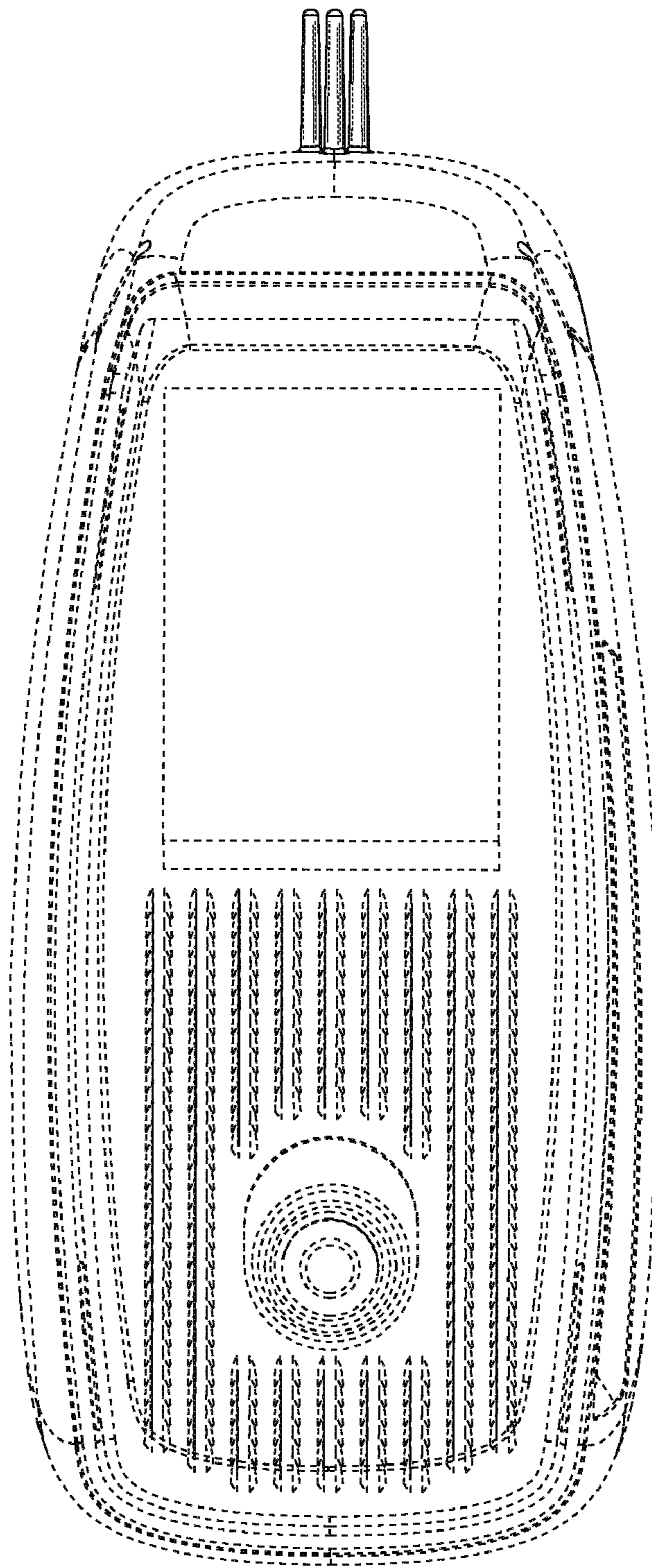


Fig. 6