

US00D545008S

(12) **United States Design Patent**
Franzino

(10) **Patent No.:** **US D545,008 S**
(45) **Date of Patent:** **** Jun. 19, 2007**

(54) **TUBE CLEANING MACHINE**
(75) Inventor: **Joseph J Franzino**, Redding, CT (US)
(73) Assignee: **Goodway Technologies Corp.**,
Stamford, CT (US)
(**) Term: **14 Years**

(21) Appl. No.: **29/245,339**
(22) Filed: **Dec. 21, 2005**

(51) **LOC (8) Cl.** **15-05**
(52) **U.S. Cl.** **D32/1**
(58) **Field of Classification Search** D32/1,
D32/15, 16, 22; 15/320, 321; 417/234, 360,
417/410; 239/146, 147
See application file for complete search history.

(56) **References Cited**
U.S. PATENT DOCUMENTS

D115,185 S * 6/1939 Clarkson D32/1
3,675,851 A * 7/1972 Merfeld et al. 239/318
4,244,072 A * 1/1981 Dunham et al. 15/104.095
D281,632 S * 12/1985 Yang D32/15
5,201,638 A * 4/1993 Bieri 417/234

5,443,211 A * 8/1995 Young et al. 239/146
D408,952 S * 4/1999 Page D34/25
6,279,838 B1 * 8/2001 Sivells et al. 239/146
D489,495 S * 5/2004 Franzino D32/1
D518,607 S * 4/2006 Franzino D32/1
7,055,203 B1 * 6/2006 Franzino 15/104.095

* cited by examiner

Primary Examiner—Louis S. Zarfaz
Assistant Examiner—Kathleen Sims

(74) *Attorney, Agent, or Firm*—Patrick J. Walsh

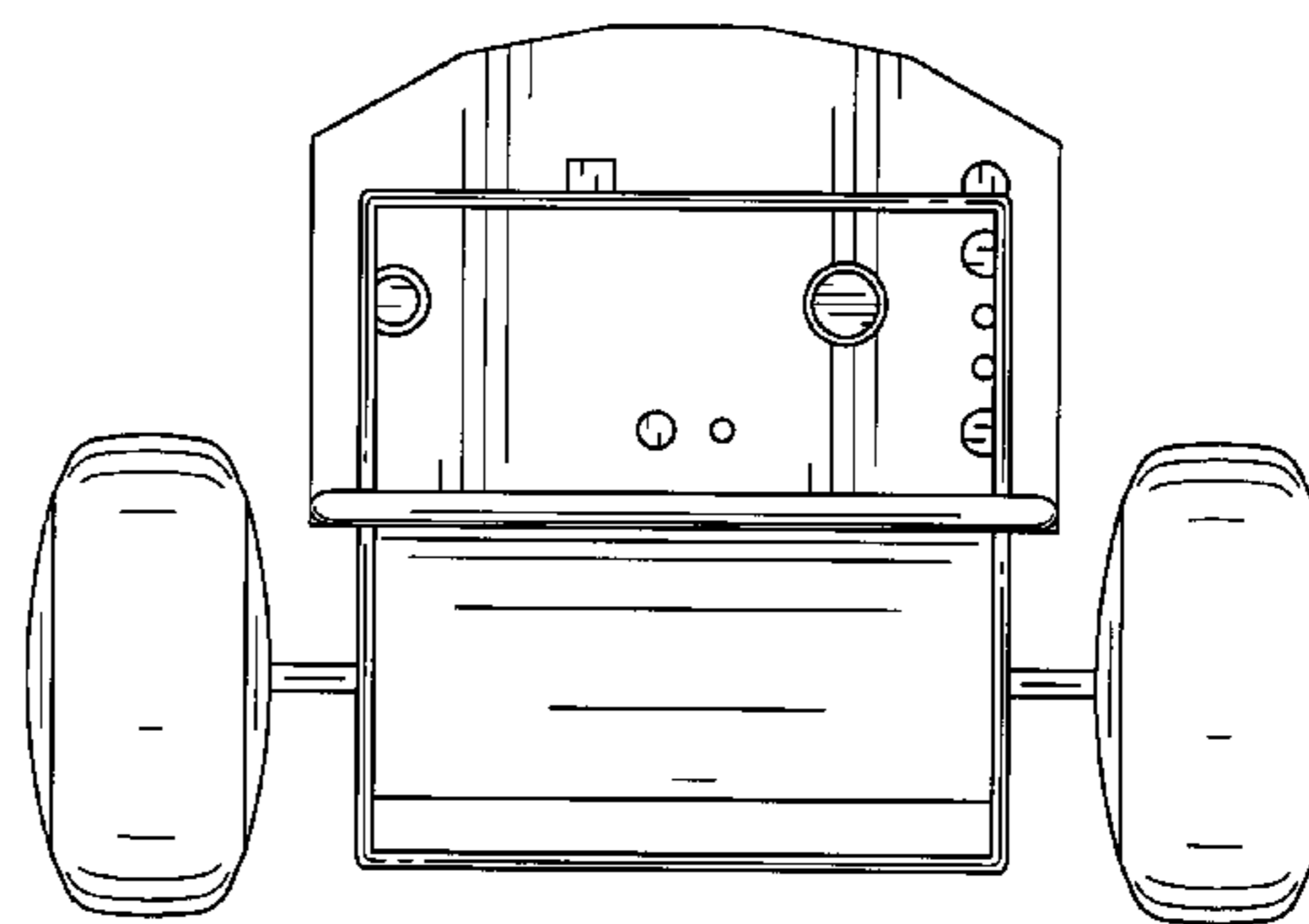
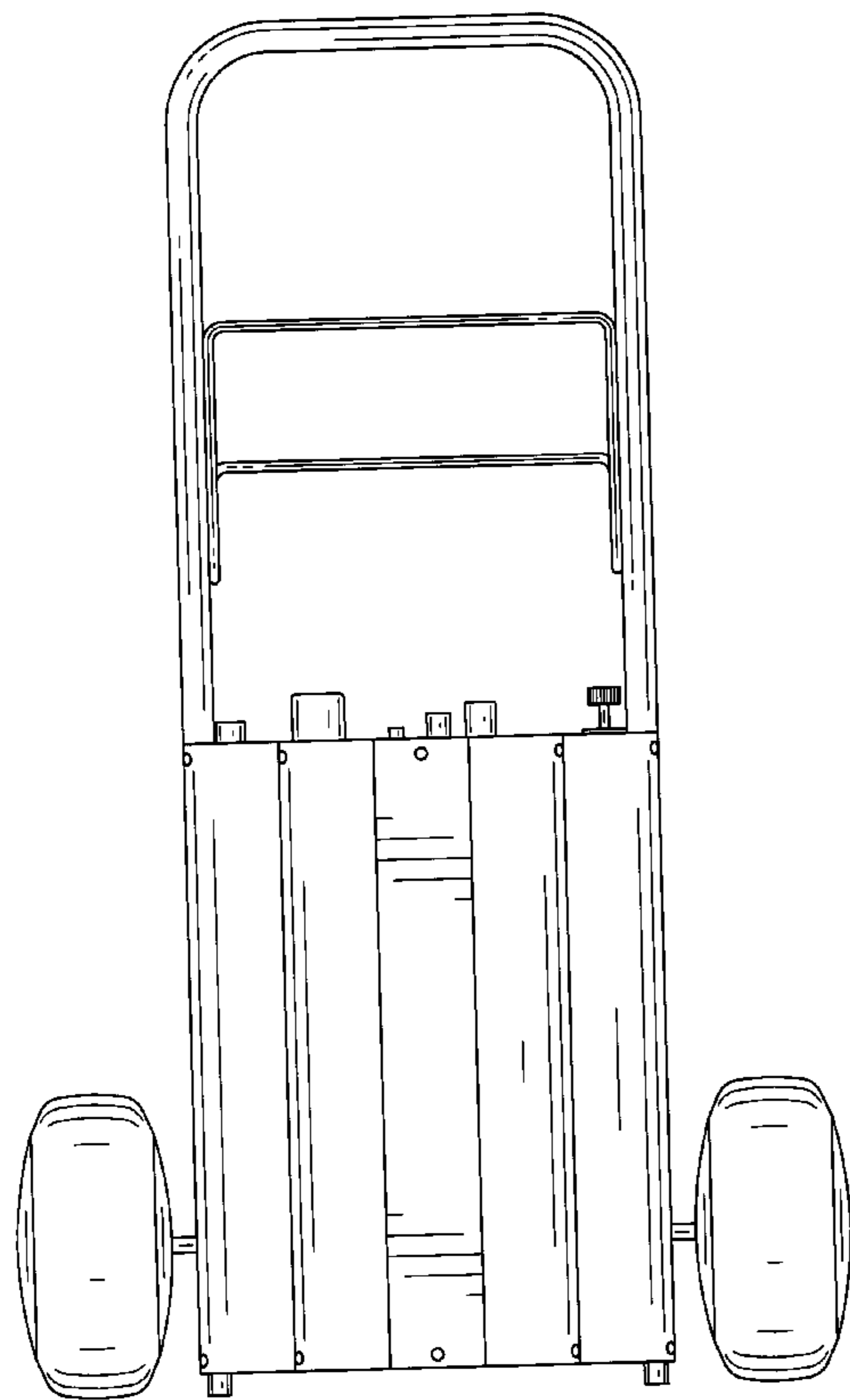
(57) **CLAIM**

I claim the ornamental design for a tube cleaning machine,
as shown and described.

DESCRIPTION

FIG. 1 is a front elevation view of a tube cleaning machine,
showing my new design;
FIG. 2 is a rear elevation view thereof;
FIG. 3 is a right side elevation view thereof;
FIG. 4 is a left side elevation view thereof;
FIG. 5 is a top view thereof; and,
FIG. 6 is a bottom view thereof.

1 Claim, 4 Drawing Sheets



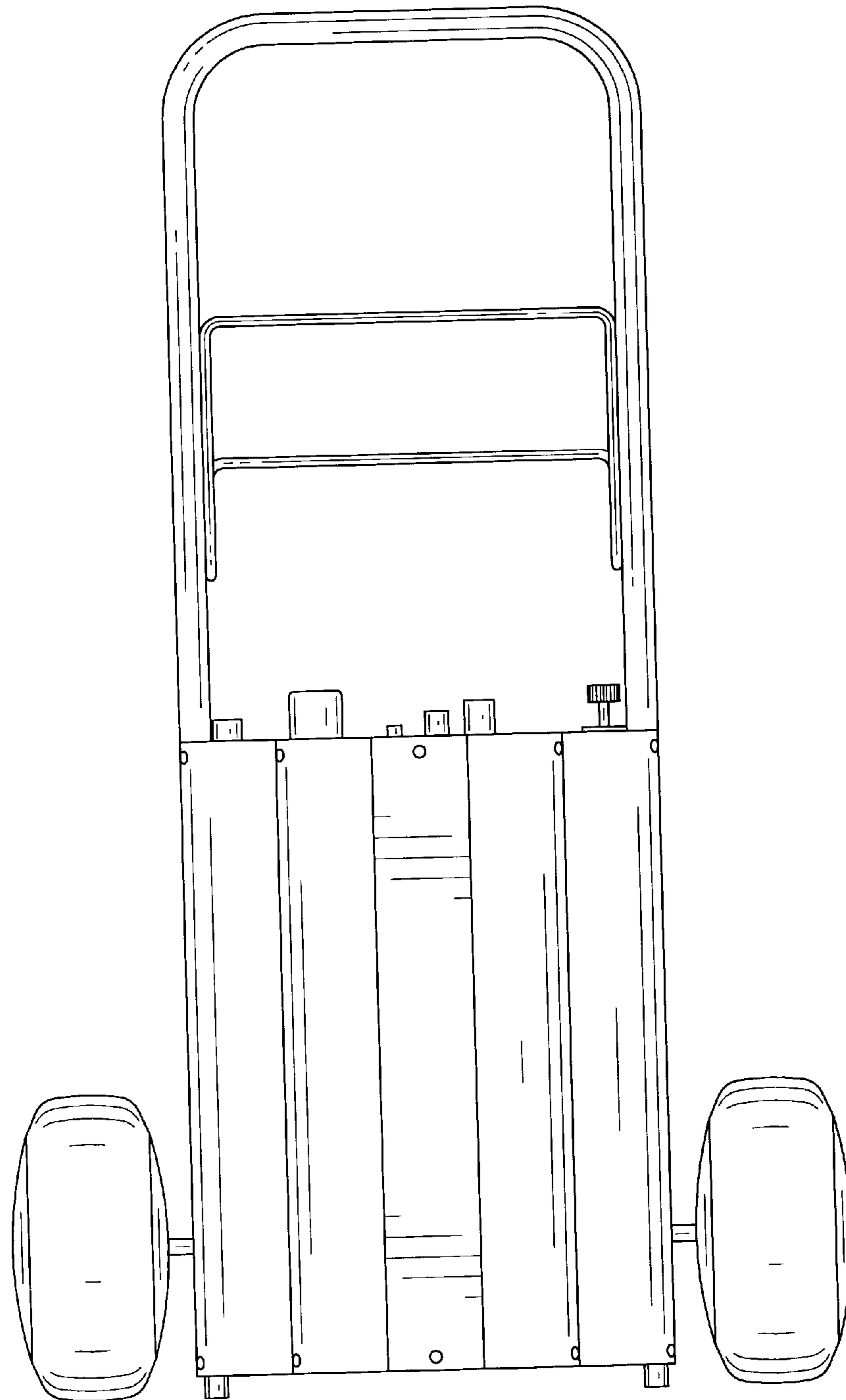


FIG. 1

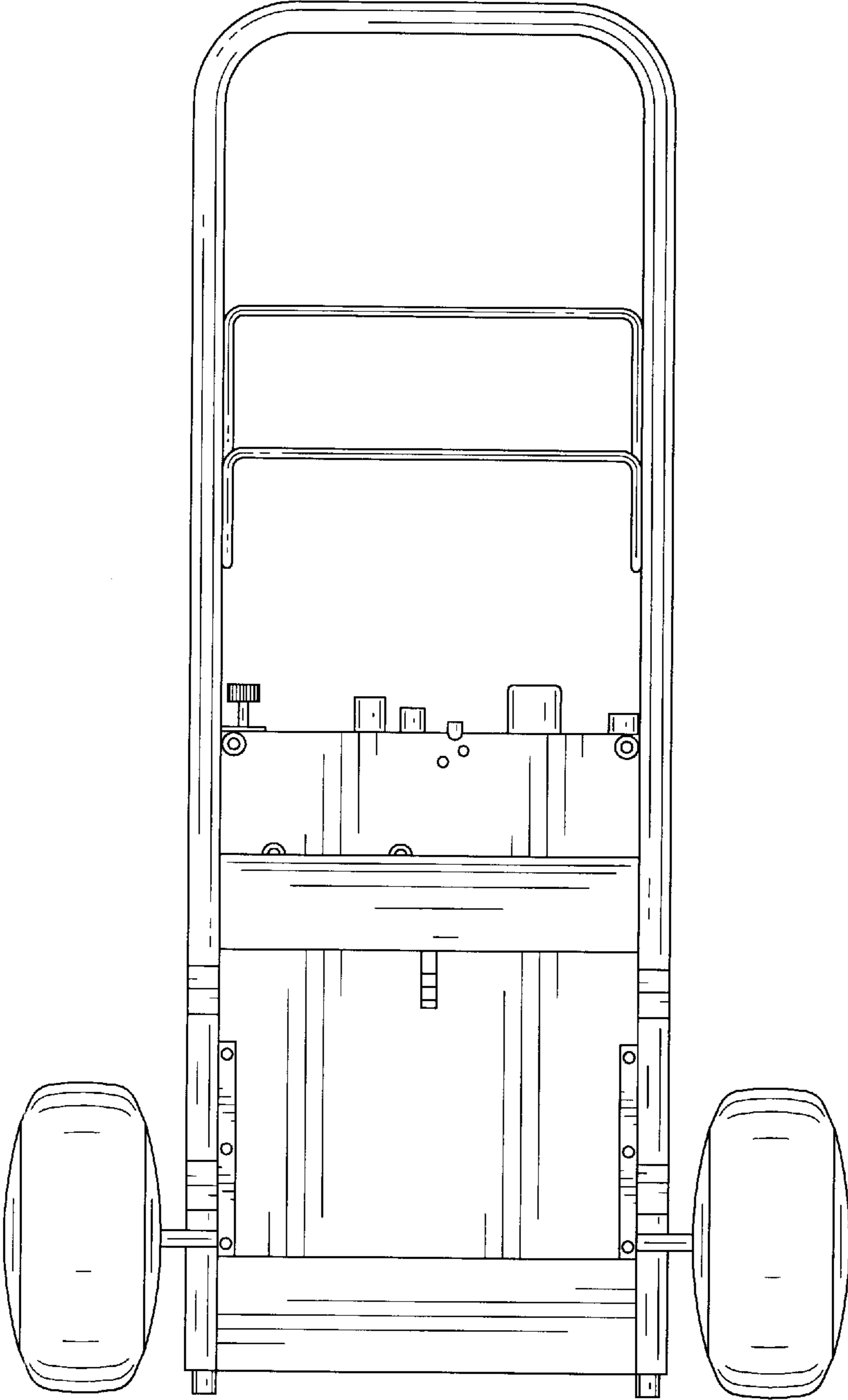


FIG. 2

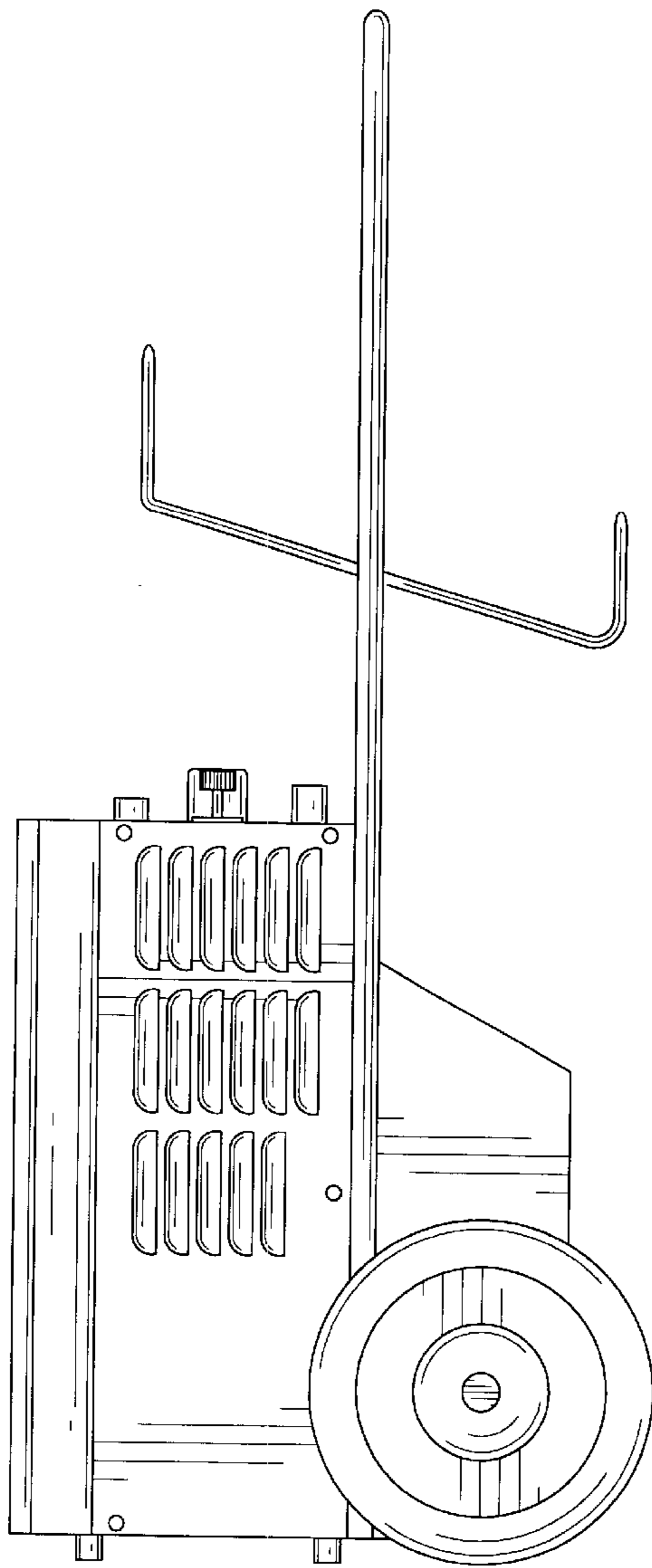


FIG. 3

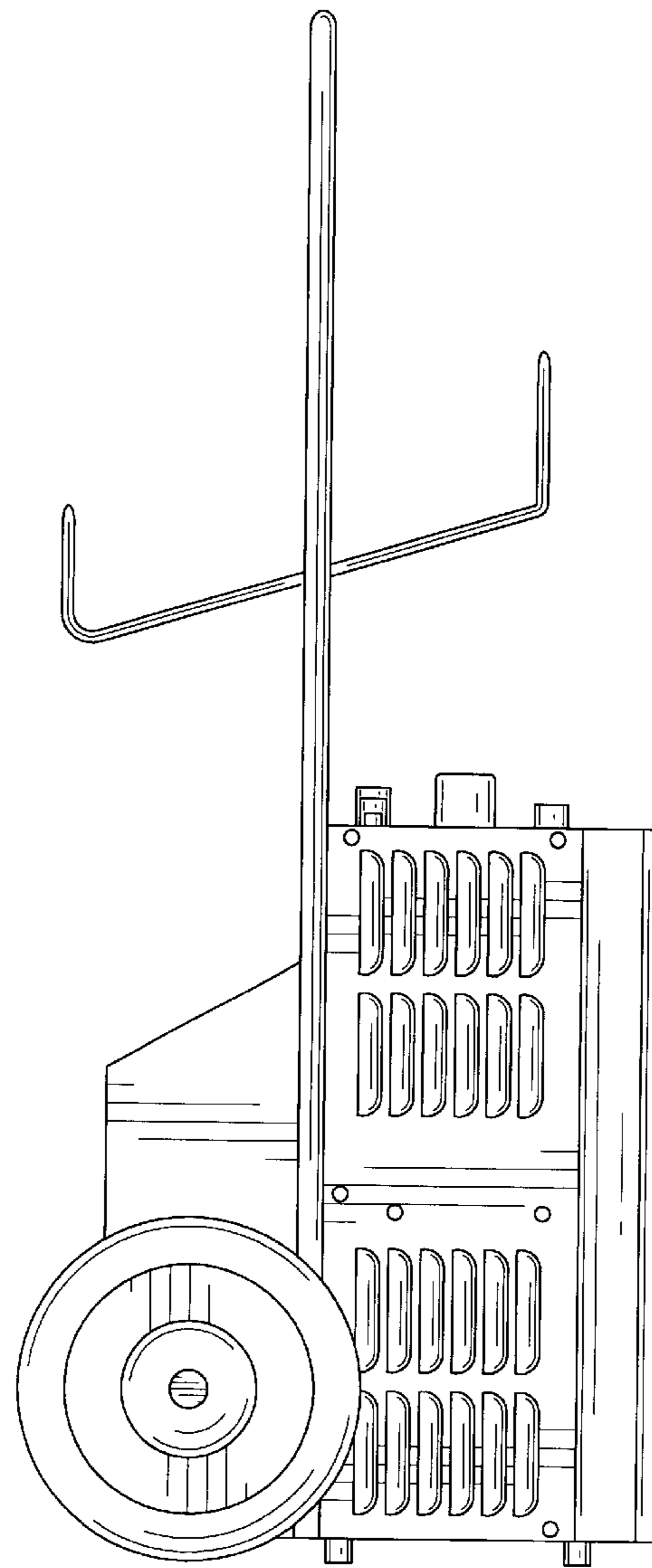


FIG. 4

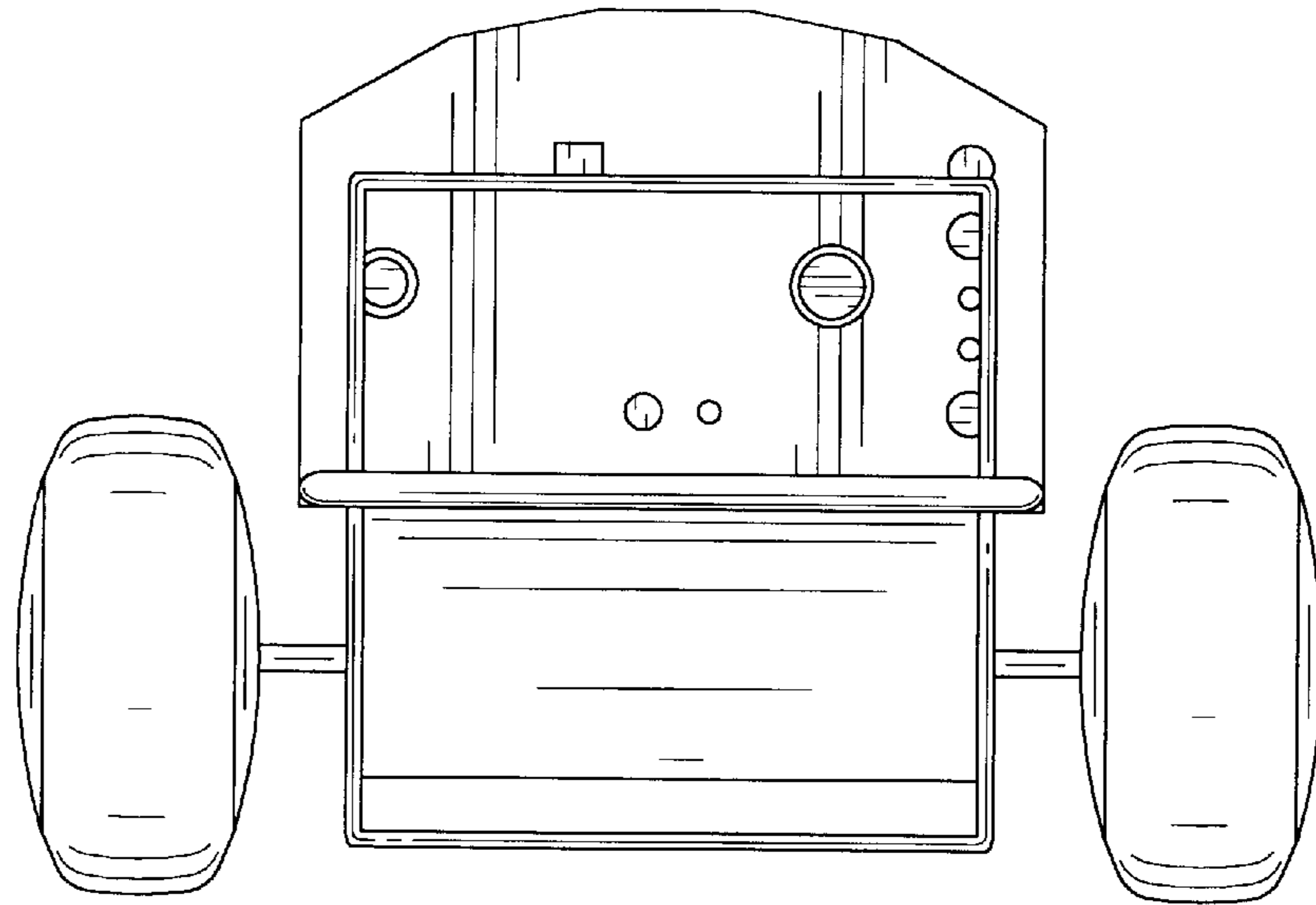


FIG. 5

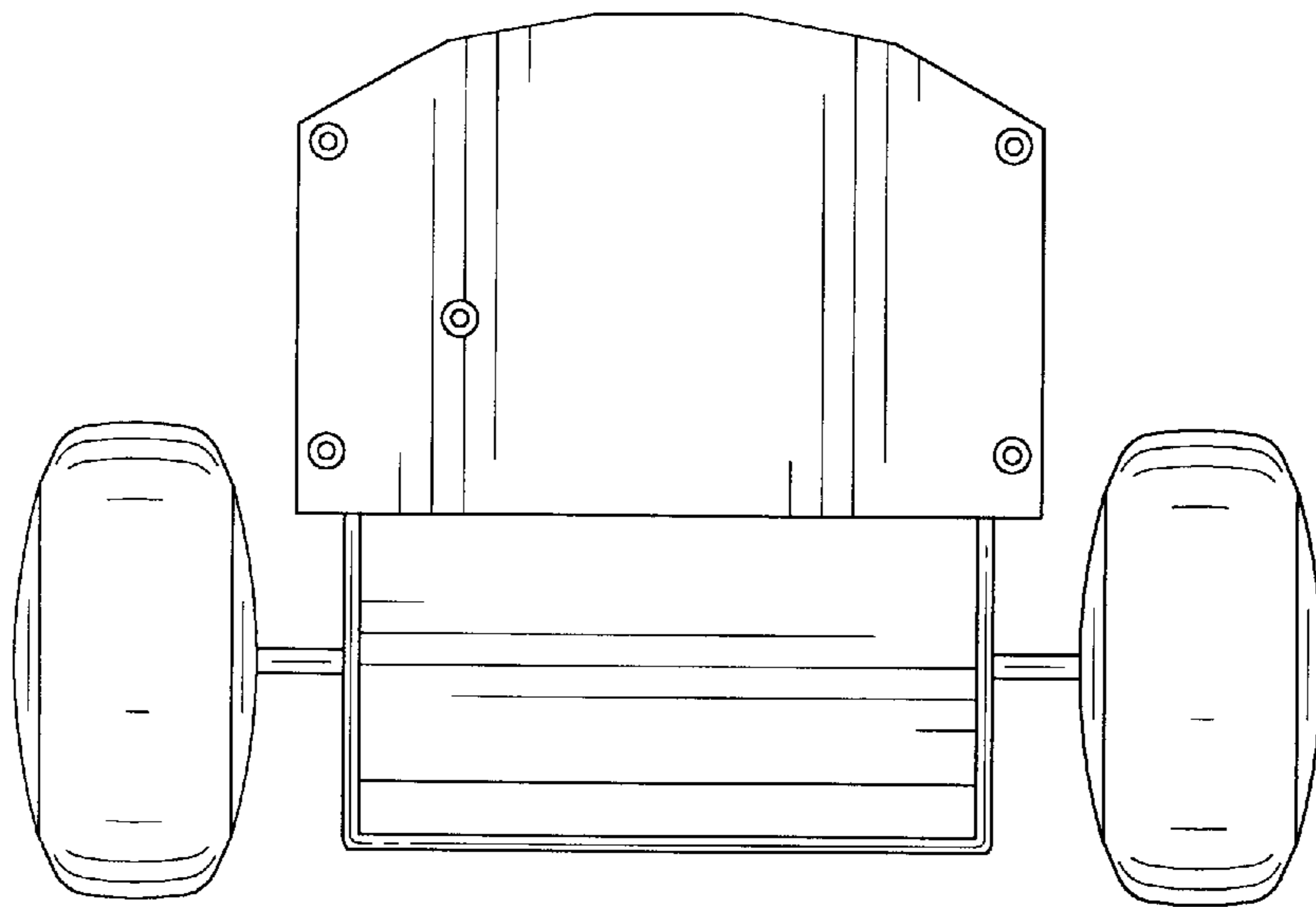


FIG. 6