



US00D545006S

(12) **United States Design Patent**  
**Barszcz et al.**

(10) **Patent No.:** **US D545,006 S**

(45) **Date of Patent:** **\*\* Jun. 19, 2007**

(54) **BIRDFEEDER**

D349,785 S \* 8/1994 Fasino ..... D30/127  
D421,159 S \* 2/2000 Kreusser ..... D30/124

(75) Inventors: **Pete Barszcz**, Silverton, CO (US);  
**Betsy Fields**, Silverton, CO (US);  
**Geraint Krumpe**, Silverton, CO (US);  
**Edmund Shuchter**, Durango, CO (US);  
**James Spencer**, Silverton, CO (US)

\* cited by examiner

*Primary Examiner*—M. H. Tung  
*Assistant Examiner*—Susan Moon Lee  
(74) *Attorney, Agent, or Firm*—Jacobson Holman PLLC

(73) Assignee: **Woodstream Corporation**, Lititz, PA  
(US)

(57) **CLAIM**

The ornamental design for a birdfeeder, as shown and described above.

(\*\*) Term: **14 Years**

(21) Appl. No.: **29/238,444**

(22) Filed: **Sep. 16, 2005**

(51) **LOC (8) Cl.** ..... **30-03**

(52) **U.S. Cl.** ..... **D30/126**

(58) **Field of Classification Search** ..... D30/121,  
D30/124-128, 133; 119/51.01, 52.2-52.4,  
119/57.8-57.9

See application file for complete search history.

**DESCRIPTION**

FIG. 1 is an isometric view of the birdfeeder showing our new design;

FIG. 2 is a reduced front view in elevation thereof, the back view being a mirror image;

FIG. 3 is a reduced left side view in elevation thereof, the right side view being a mirror image;

FIG. 4 is a top plan view thereof; and,

FIG. 5 is a bottom plan view thereof.

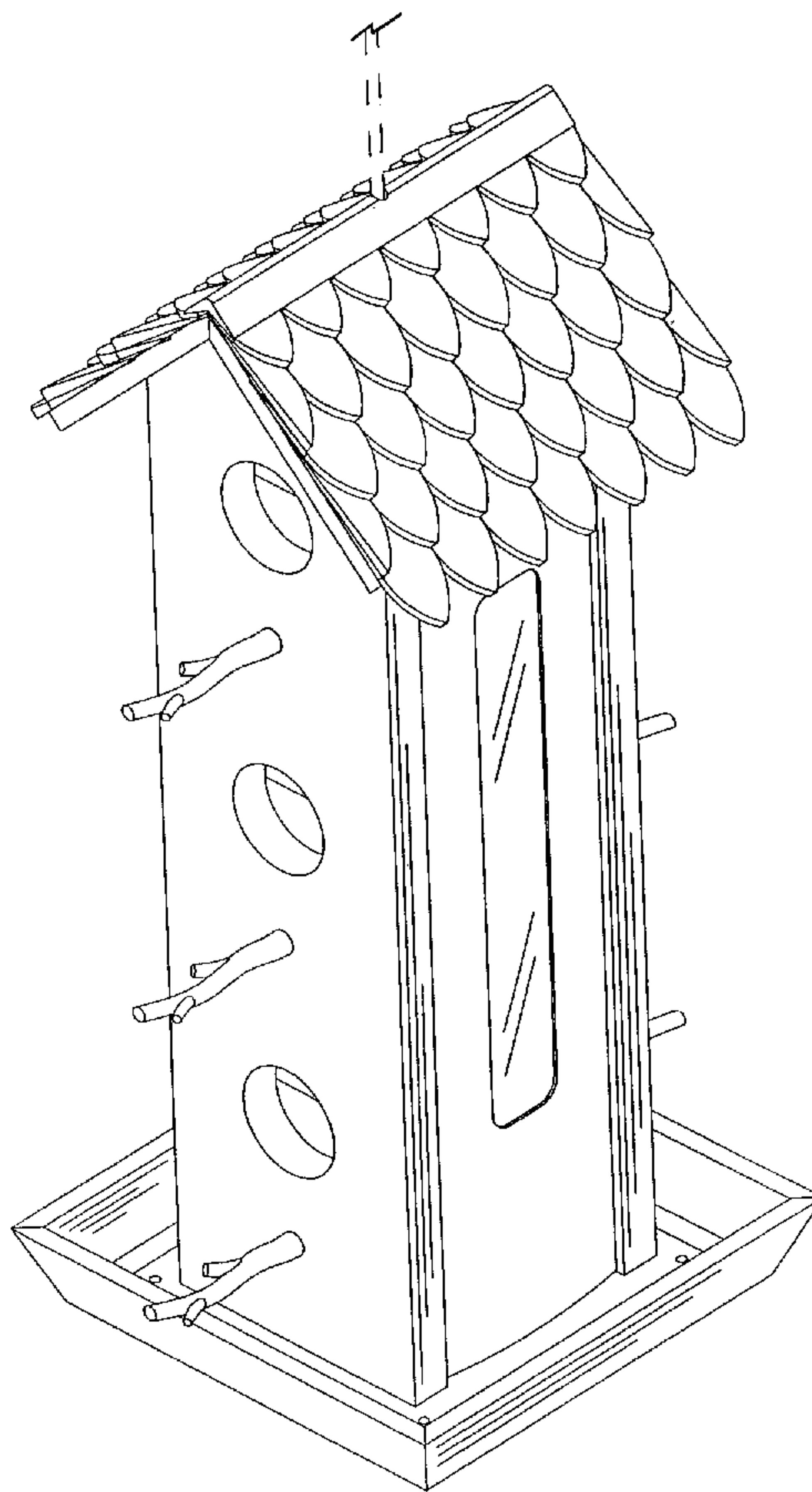
The broken lines shown in FIGS. 1 through 3 are for illustrative purposes only and form no part of the claimed design.

(56) **References Cited**

U.S. PATENT DOCUMENTS

2,392,532 A \* 1/1946 Hyde ..... 119/429  
D297,271 S \* 8/1988 Tucker et al. .... D30/126

**1 Claim, 3 Drawing Sheets**



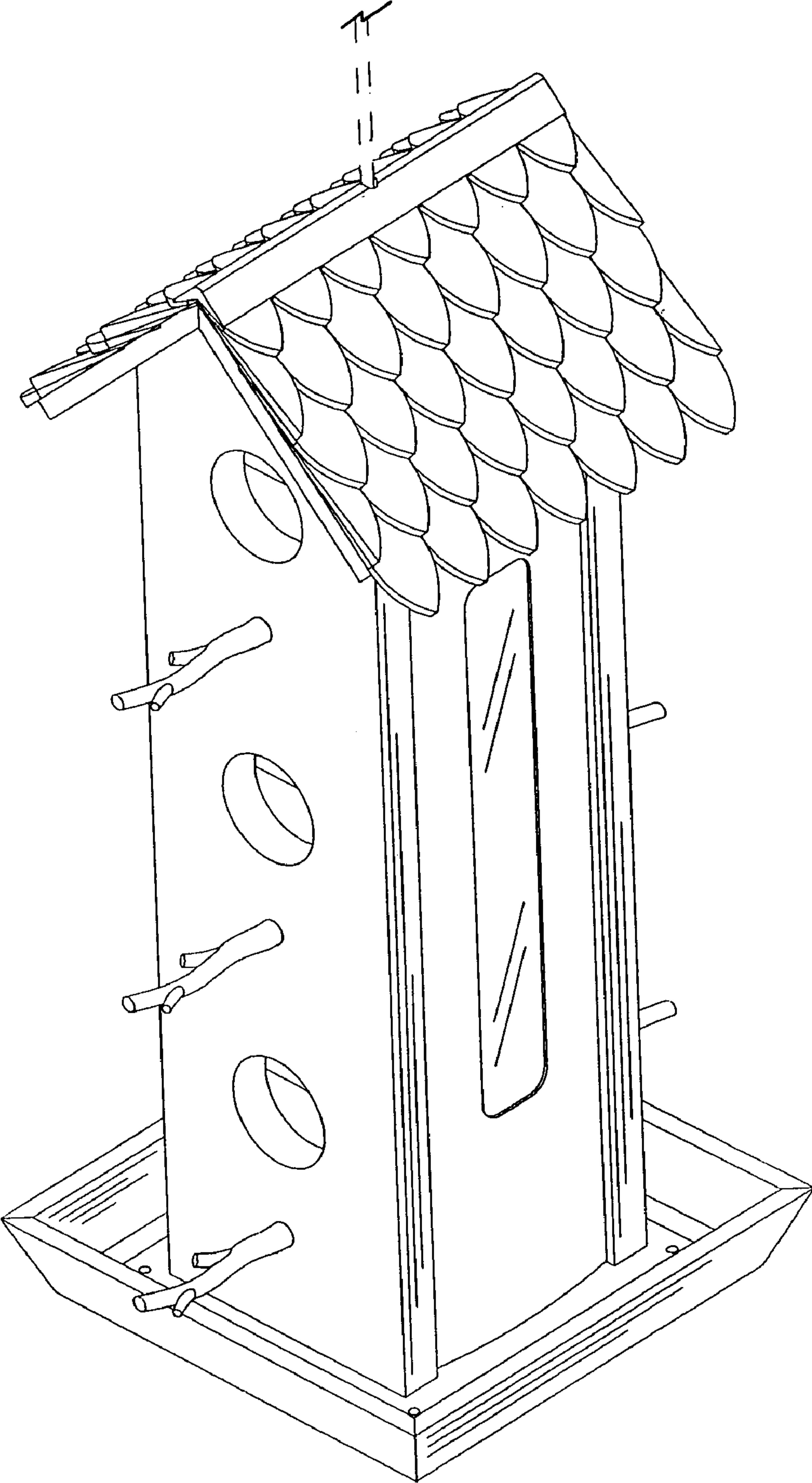


Fig. 1

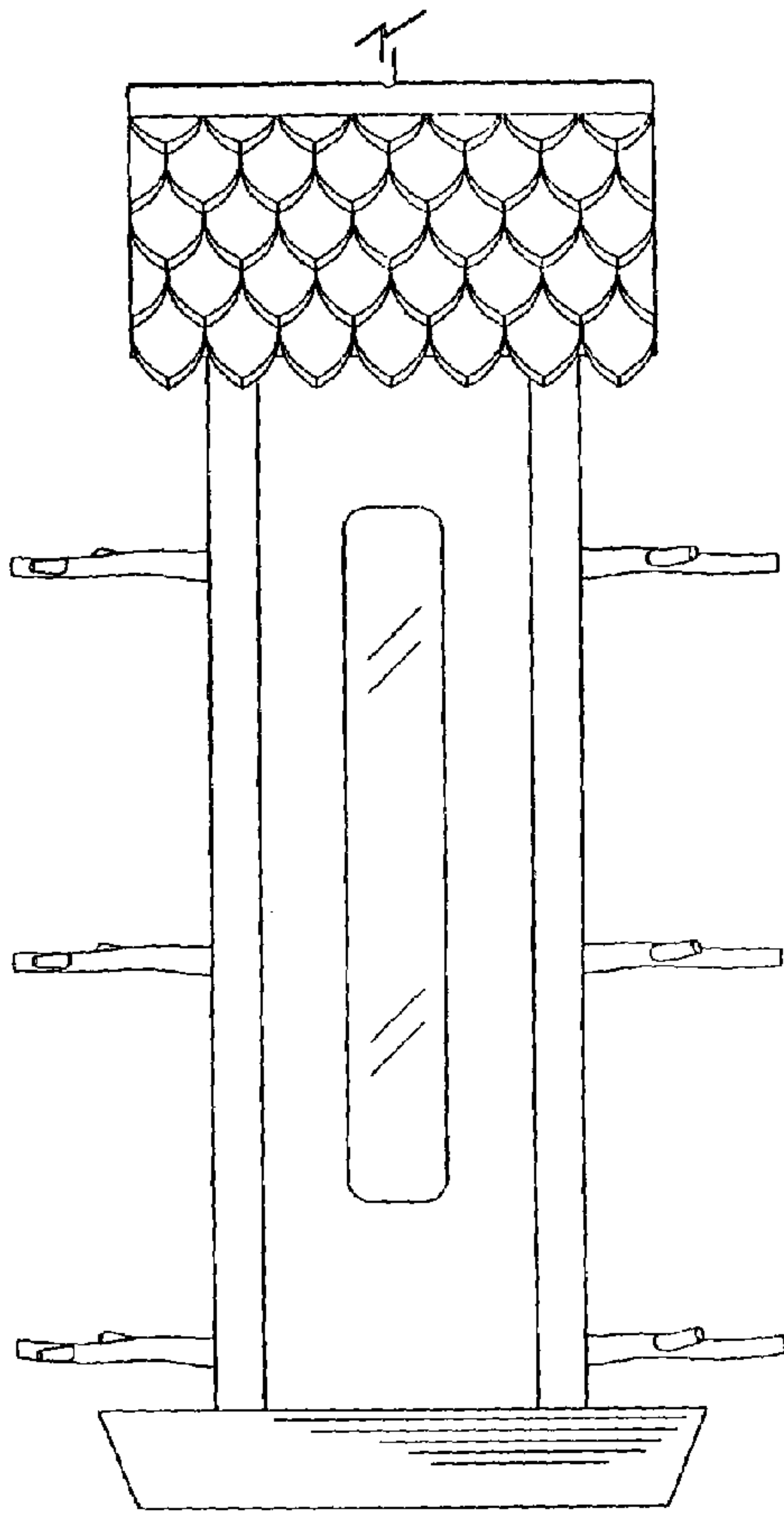


Fig. 2

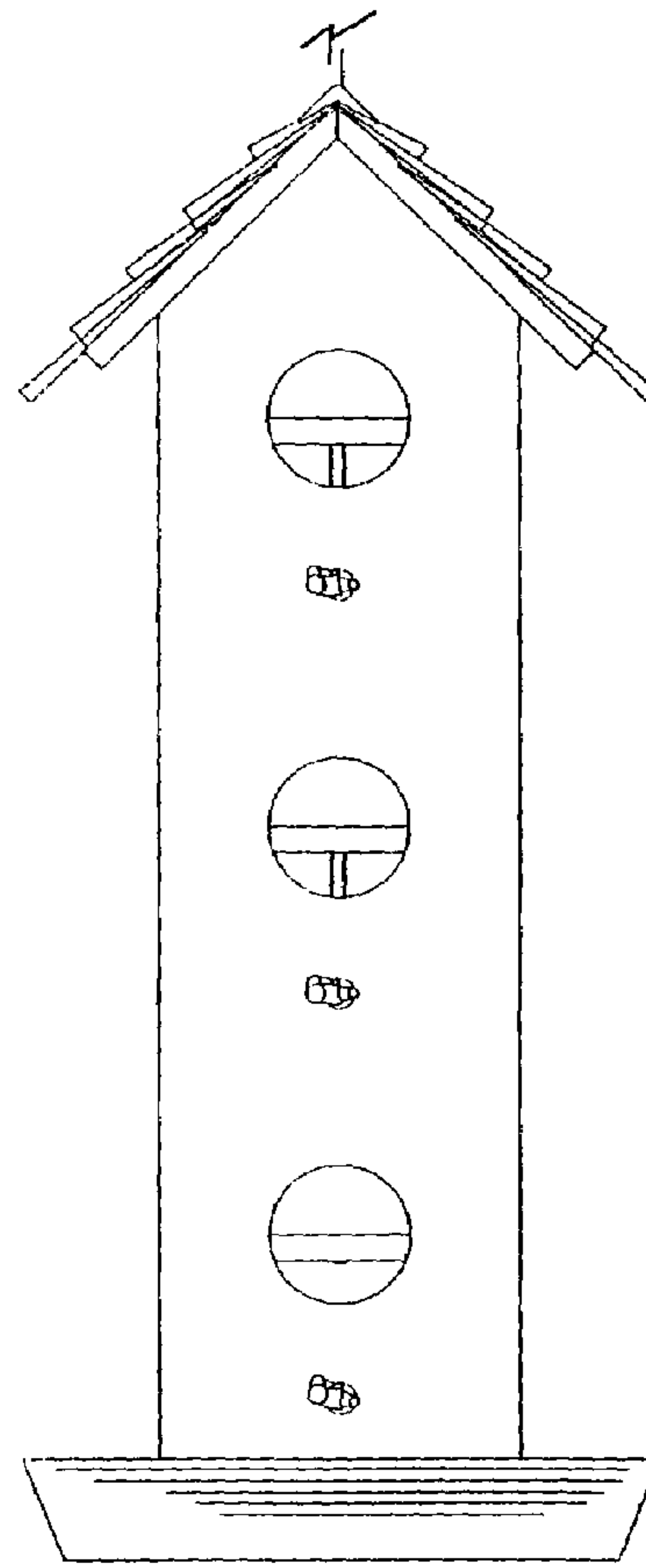


Fig. 3

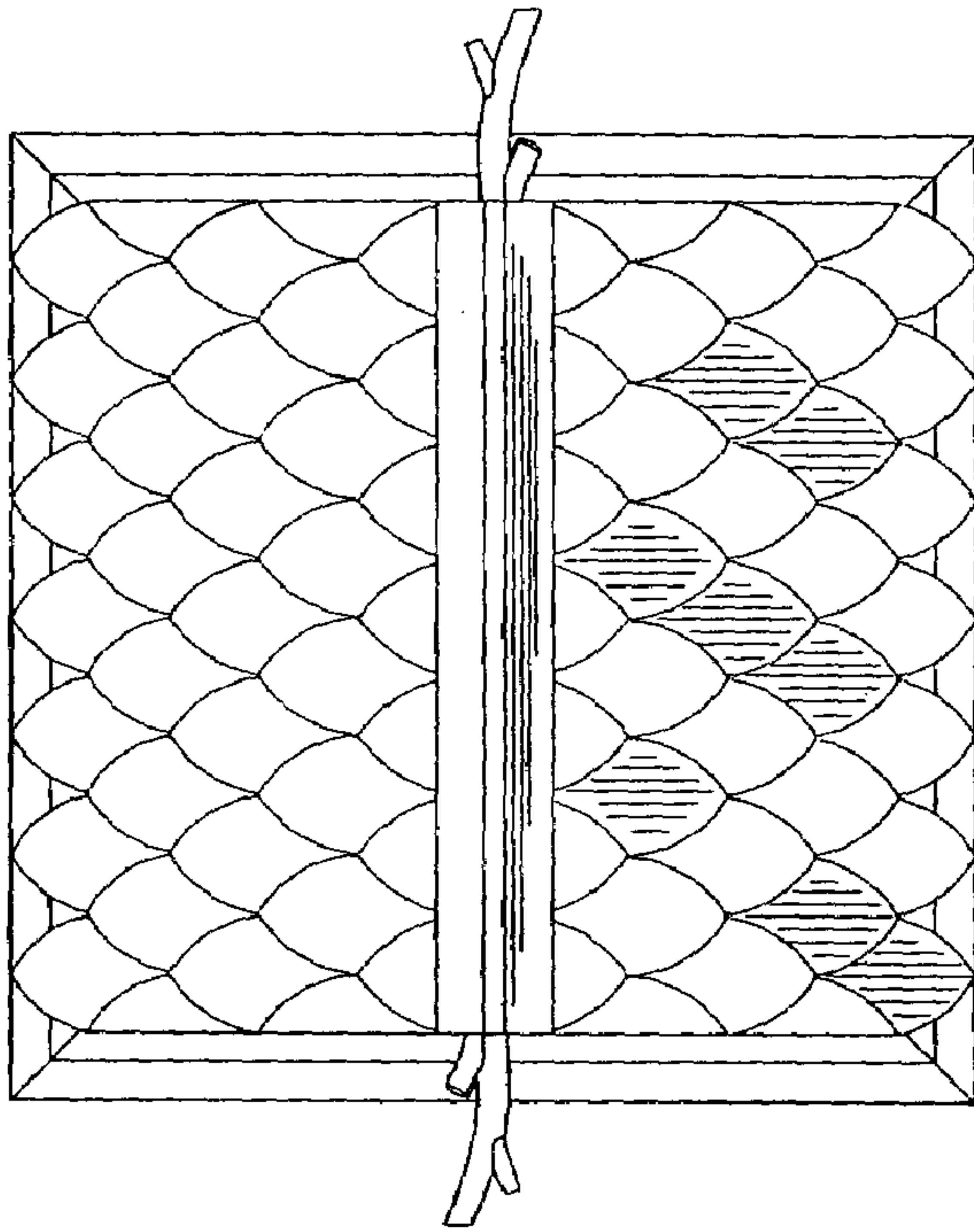


Fig. 4

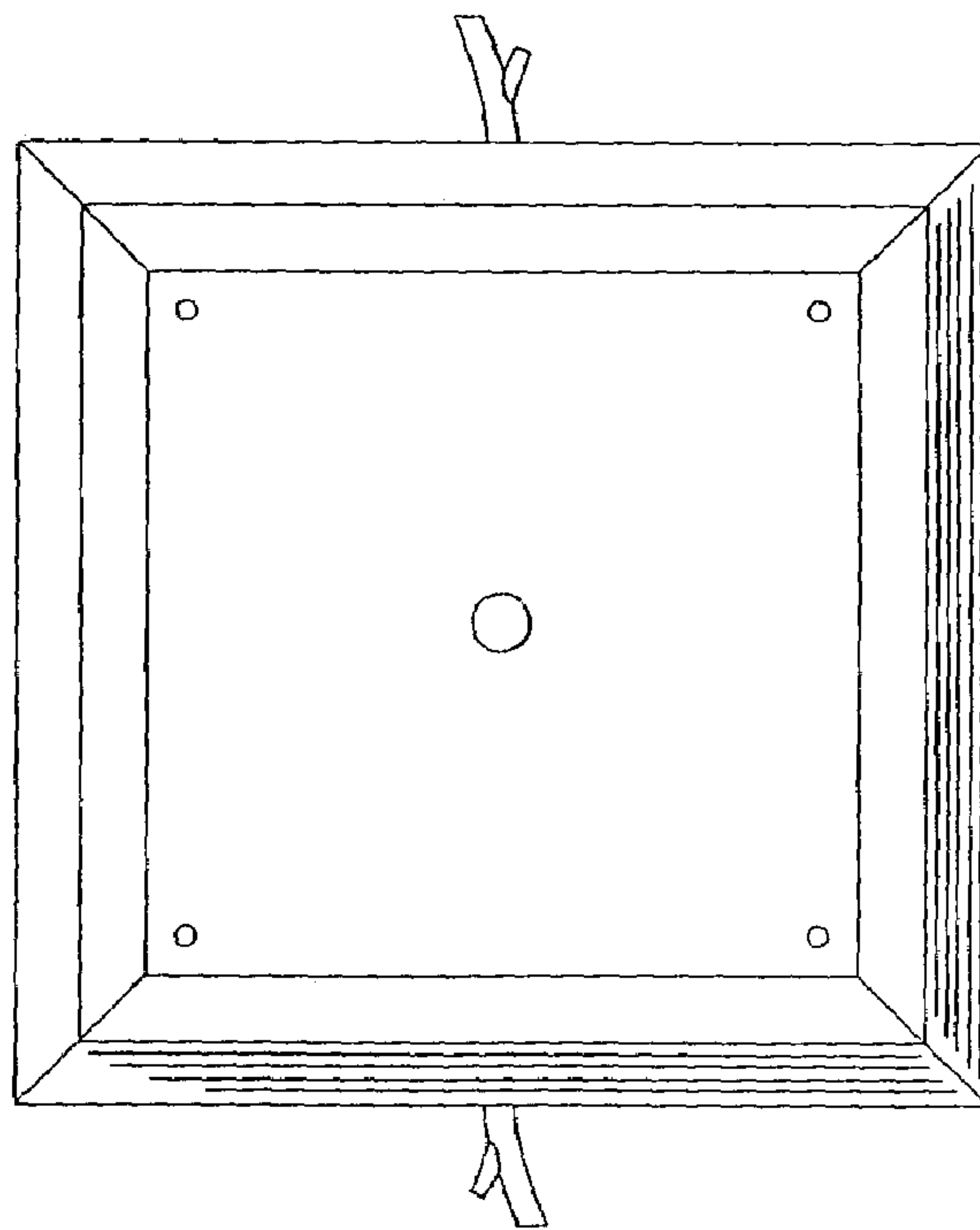


Fig. 5