



US00D545003S

(12) **United States Design Patent**
Heerdt et al.

(10) **Patent No.: US D545,003 S**

(45) **Date of Patent: ** Jun. 19, 2007**

(54) **FIRE EXTINGUISHER BRACKET**

5,362,022 A 11/1994 McLoughlin et al.

(Continued)

(75) Inventors: **Dennis G. Heerdt**, Garner, NC (US);
Y. Christen Sperry, Graham, NC (US)

FOREIGN PATENT DOCUMENTS

(73) Assignee: **Walter Kidde Portable Equipment, Inc.**, Mebane, NC (US)

GB 1 428 319 3/1976
GB 2 205 733 A 12/1988

(**) Term: **14 Years**

Primary Examiner—T. Chase Nelson

(74) *Attorney, Agent, or Firm*—Merchant & Gould P.C.

(21) Appl. No.: **29/215,884**

(57) **CLAIM**

(22) Filed: **Oct. 25, 2004**

The ornamental design for fire extinguisher bracket, as shown and described.

(51) **LOC (8) Cl.** **29-01**

(52) **U.S. Cl.** **D29/130**

(58) **Field of Classification Search** D29/130,
D29/126; D8/349, 354, 373, 395, 396; D6/566;
D23/206; 248/146, 154, 300, 307, 309.1,
248/311.2, 313, 316.1, 316.4

See application file for complete search history.

DESCRIPTION

FIG. 1 is a front perspective view of a fire extinguisher bracket according to principles of the present invention having a strap in the raised position;

FIG. 2 is a front view of the fire extinguisher bracket shown in FIG. 1;

FIG. 3 is a rear view of the fire extinguisher bracket shown in FIG. 1;

FIG. 4 is a top view of the fire extinguisher bracket shown in FIG. 1;

FIG. 5 is a bottom view of the fire extinguisher bracket shown in FIG. 1;

FIG. 6 is a right side view of the fire extinguisher bracket shown in FIG. 1;

FIG. 7 is a left side view of the fire extinguisher bracket shown in FIG. 1;

FIG. 8 is a cross-sectional view of the fire extinguisher bracket taken along line 8-8 of FIG. 4;

FIG. 9 is another cross-sectional view of the fire extinguisher bracket shown in FIG. 8, but with the strap in an alternate lowered position; and,

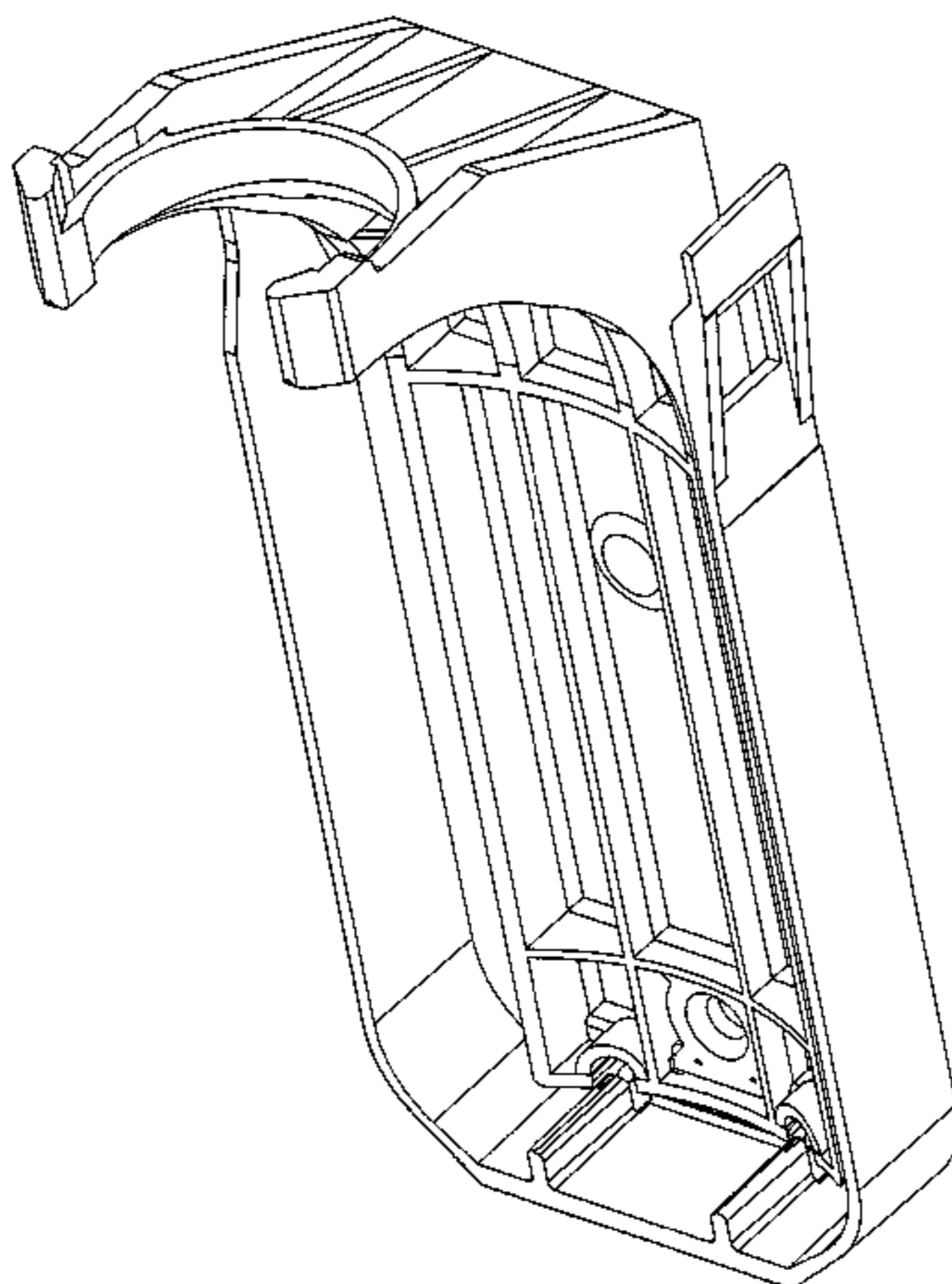
FIG. 10 is a reduced scale rear perspective view of the fire extinguisher bracket shown in FIG. 1, but with the strap shown in the alternate lowered position. The broken line showing of a fire extinguisher in this view is for illustrative purposes only and forms no part of the claimed design.

(56) **References Cited**

U.S. PATENT DOCUMENTS

- 2,431,698 A * 12/1947 Lombard 248/311.2
- 3,224,720 A * 12/1965 Hain 248/313
- 3,565,384 A * 2/1971 Lockwood 248/146
- 3,603,550 A * 9/1971 Byrd 248/313
- D222,527 S * 11/1971 Ziaylek D8/373
- D244,392 S 5/1977 Montambo
- D245,929 S 9/1977 Montambo
- D250,353 S 11/1978 Avant
- D250,776 S 1/1979 Hard
- 4,213,592 A 7/1980 Lingenfelser
- 4,304,383 A 12/1981 Huston
- 4,505,448 A 3/1985 Massie
- 4,586,687 A 5/1986 Ziaylek, Jr.
- 4,905,950 A 3/1990 Turner et al.
- D307,494 S 4/1990 Goodnight
- 5,071,100 A 12/1991 Sweeny
- 5,072,909 A * 12/1991 Huang 248/311.2
- 5,100,007 A 3/1992 Espasandin et al.
- 5,191,679 A * 3/1993 Harper 248/311.2
- D347,735 S * 6/1994 Ziaylek et al. D29/130
- 5,354,029 A 10/1994 Ziaylek, Jr. et al.

1 Claim, 7 Drawing Sheets



US D545,003 S

Page 2

U.S. PATENT DOCUMENTS

D353,185 S	12/1994	Mitchell					
D372,189 S *	7/1996	Andis et al.	D8/373				
5,533,701 A	7/1996	Trank					
D394,381 S *	5/1998	Ziaylek et al.	D8/354				
6,220,557 B1 *	4/2001	Ziaylek et al.	248/316.1				
6,431,516 B1 *	8/2002	Cooner et al.	248/311.2				
6,685,153 B2	2/2004	Foreman					
				6,702,242 B1 *	3/2004	Ziaylek et al.	248/311.2
				D494,049 S *	8/2004	Ziaylek et al.	D8/373
				D494,453 S *	8/2004	Ziaylek et al.	D8/373
				6,883,766 B1 *	4/2005	Ziaylek et al.	248/313
				6,926,243 B1 *	8/2005	Ziaylek et al.	248/307
				2004/0089459 A1	5/2004	Folks	
				2006/0086876 A1 *	4/2006	Heerdt et al.	248/311.2

* cited by examiner

FIG. 1

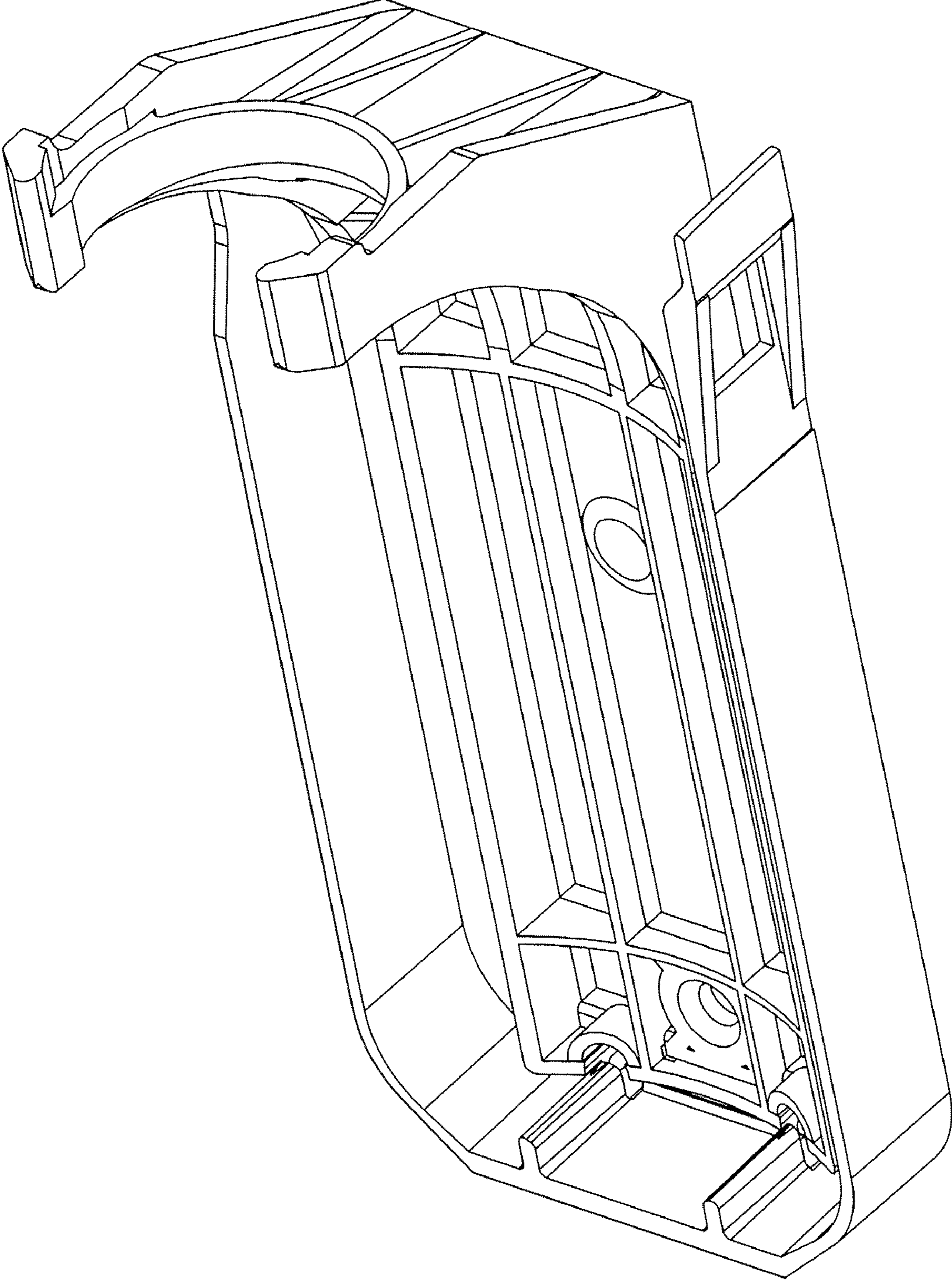


FIG.2

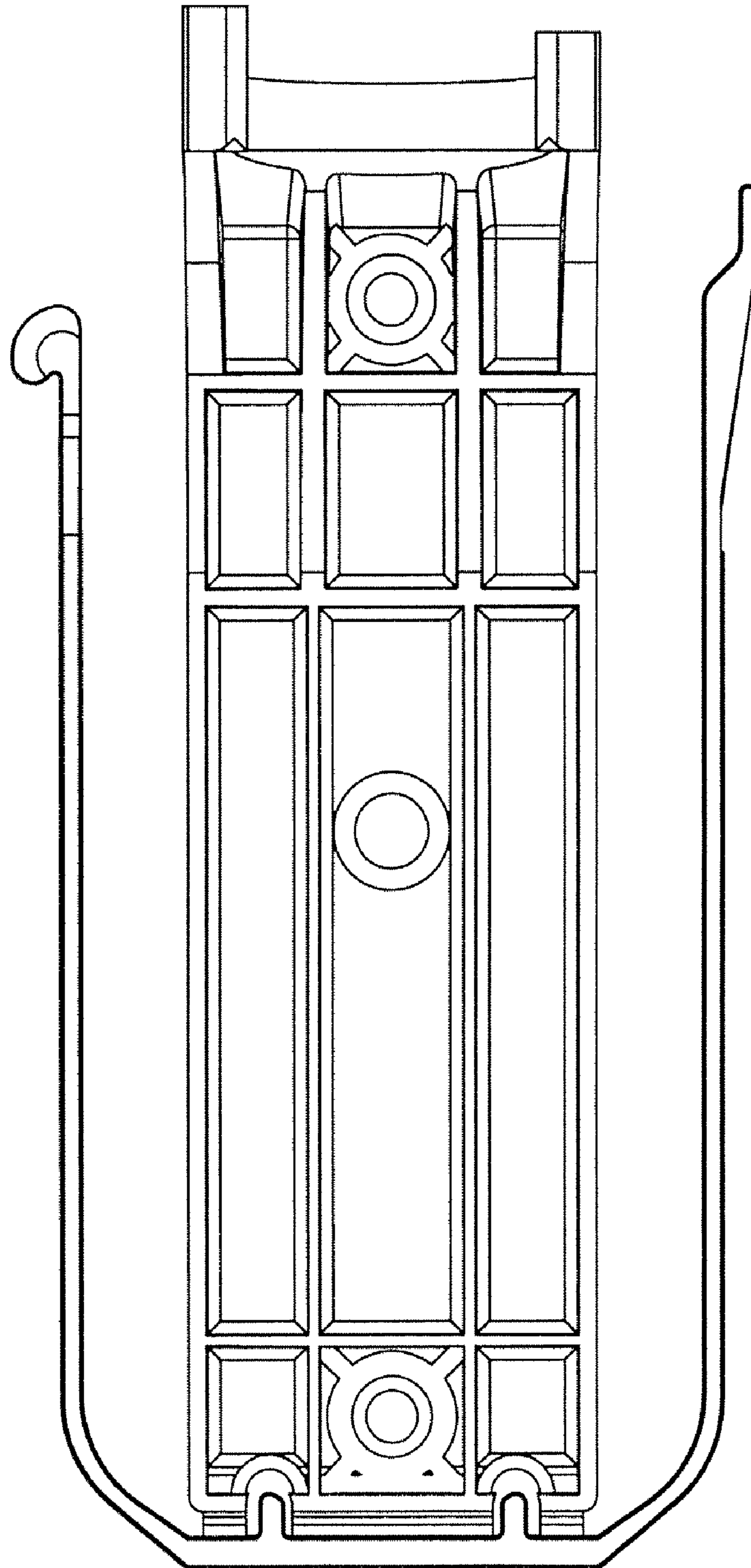


FIG.3

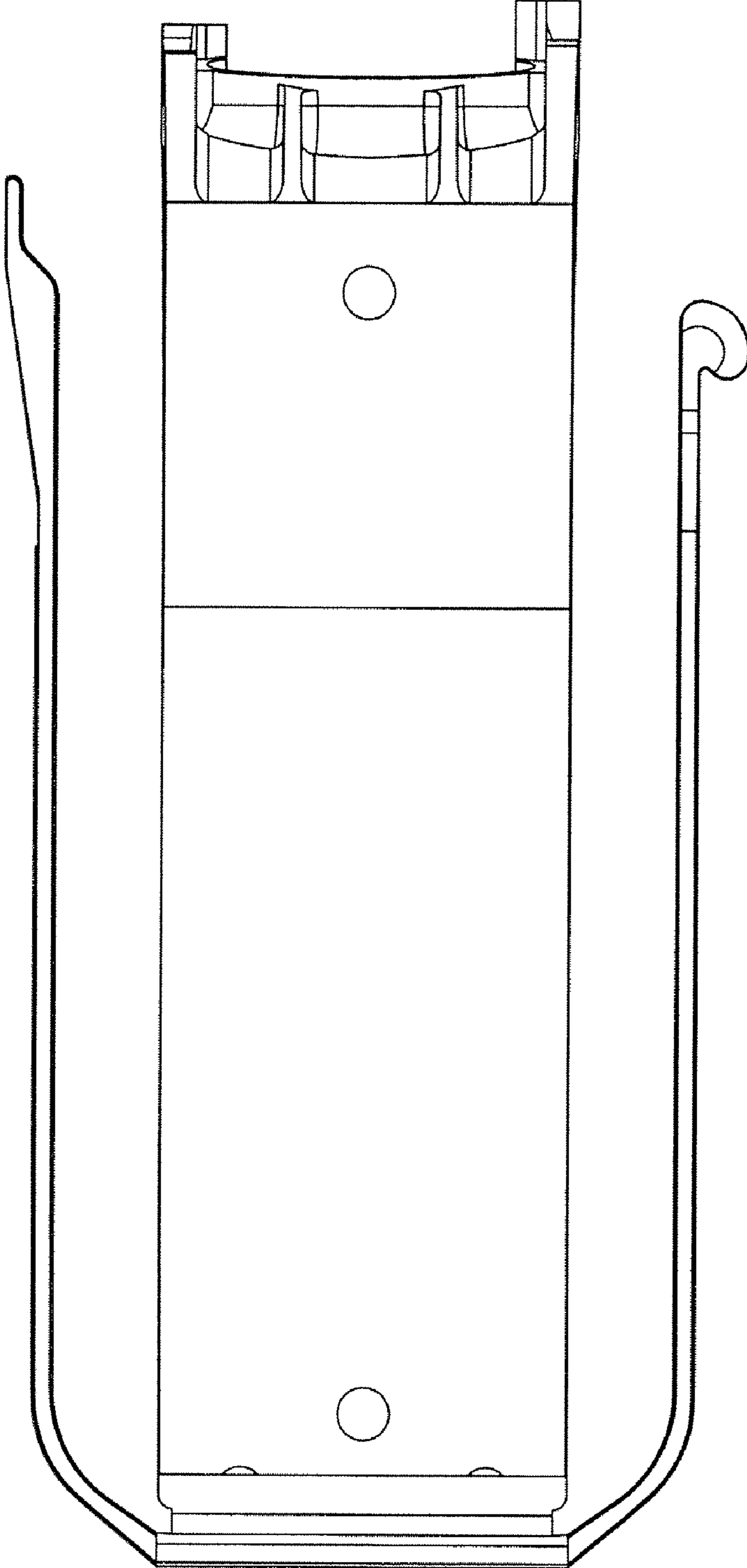


FIG. 4

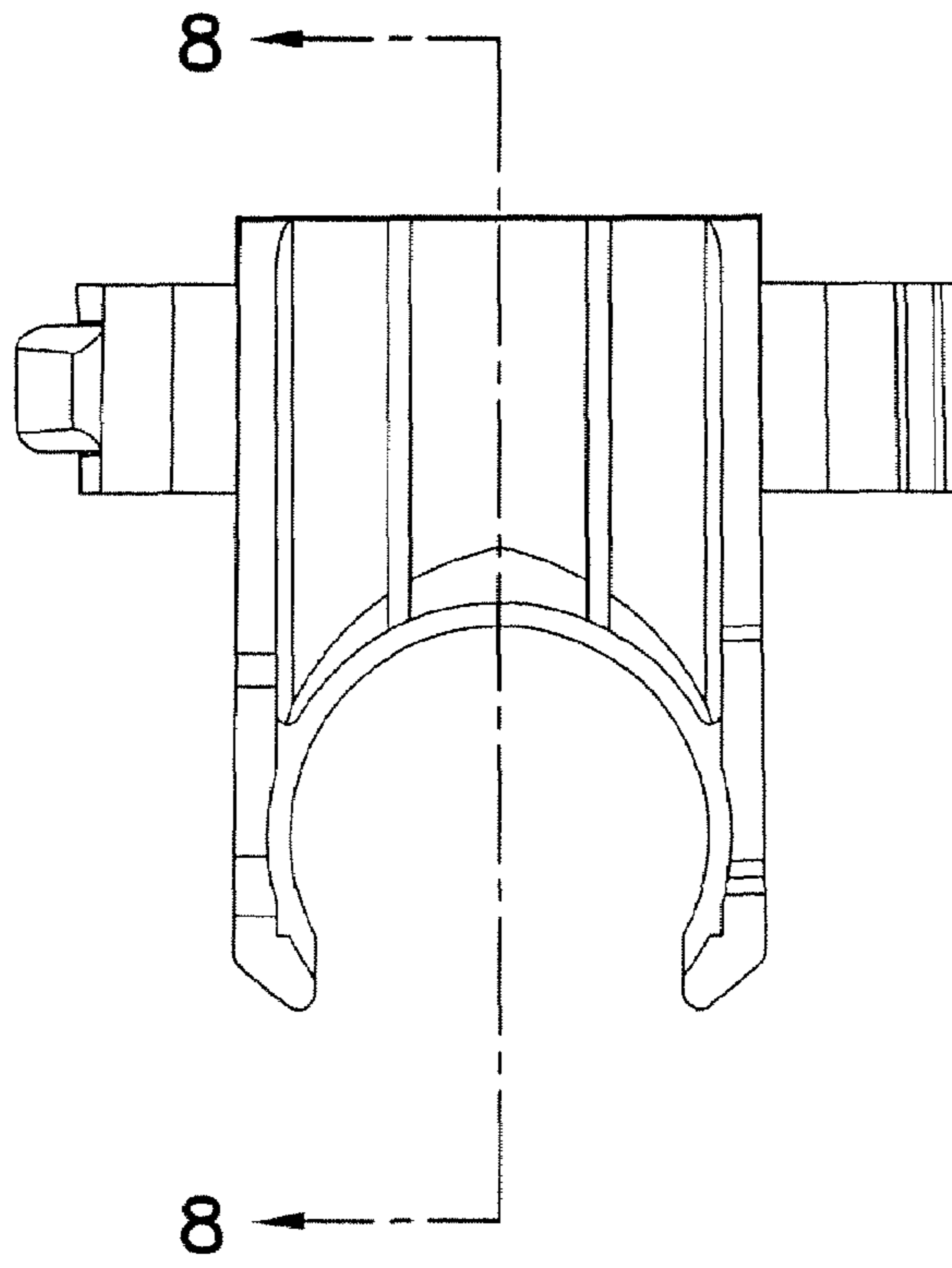


FIG. 5

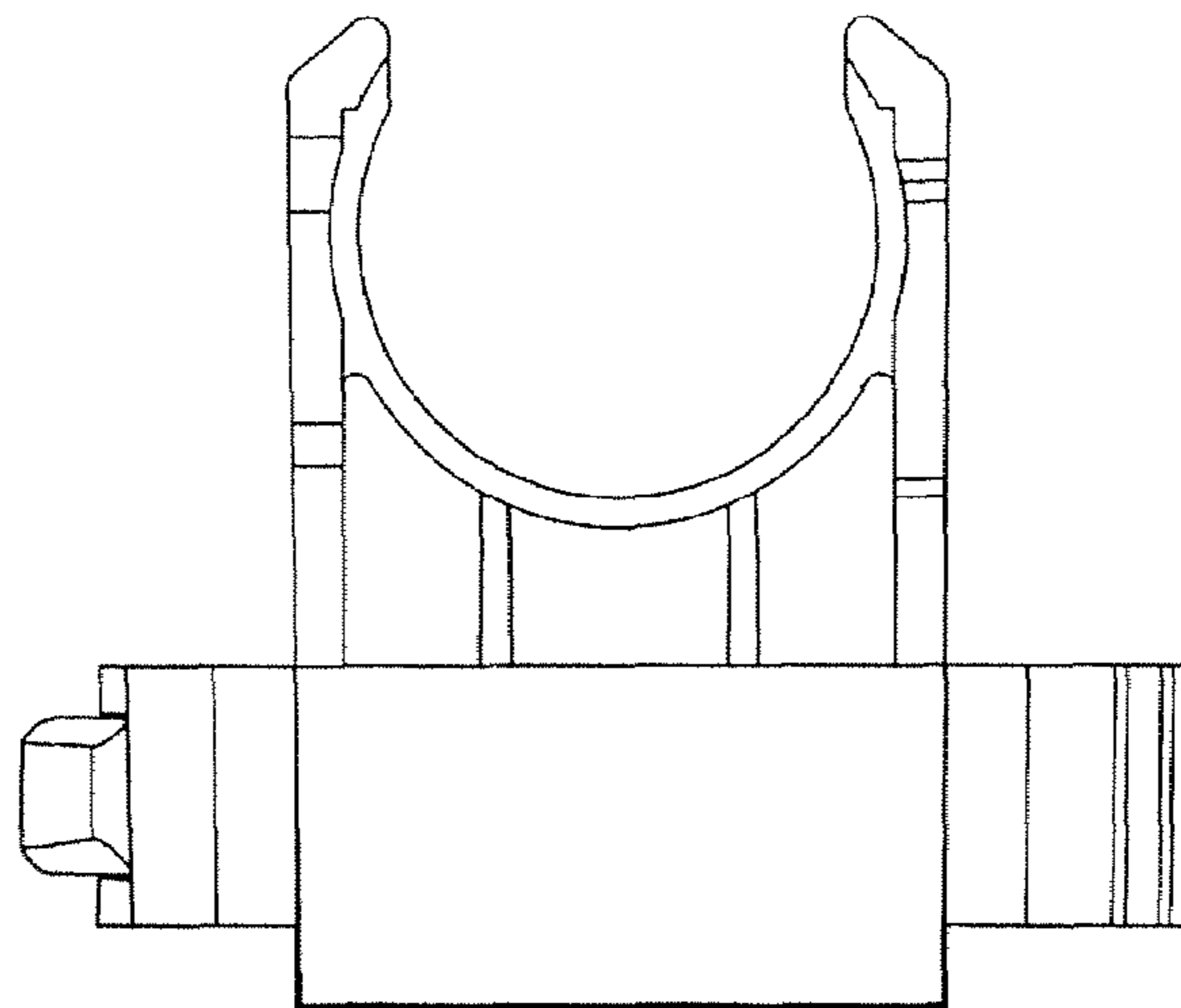


FIG.6

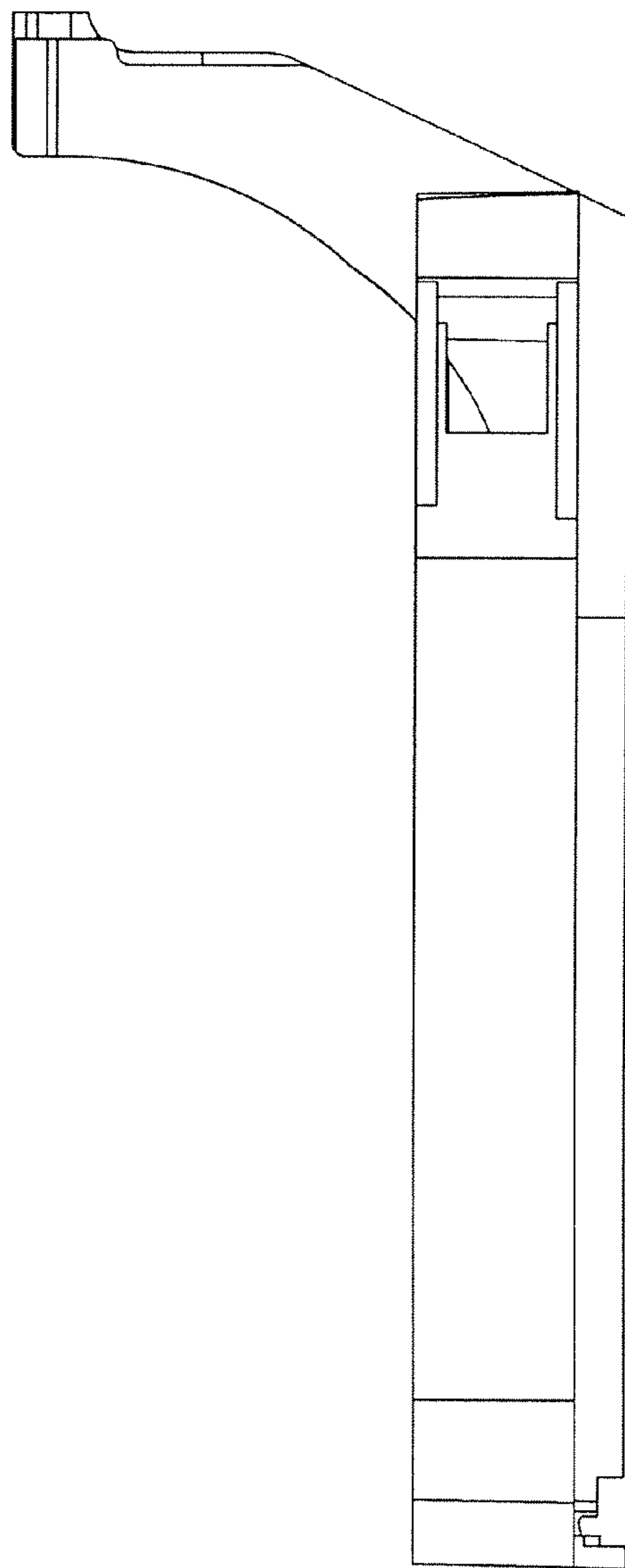


FIG.7

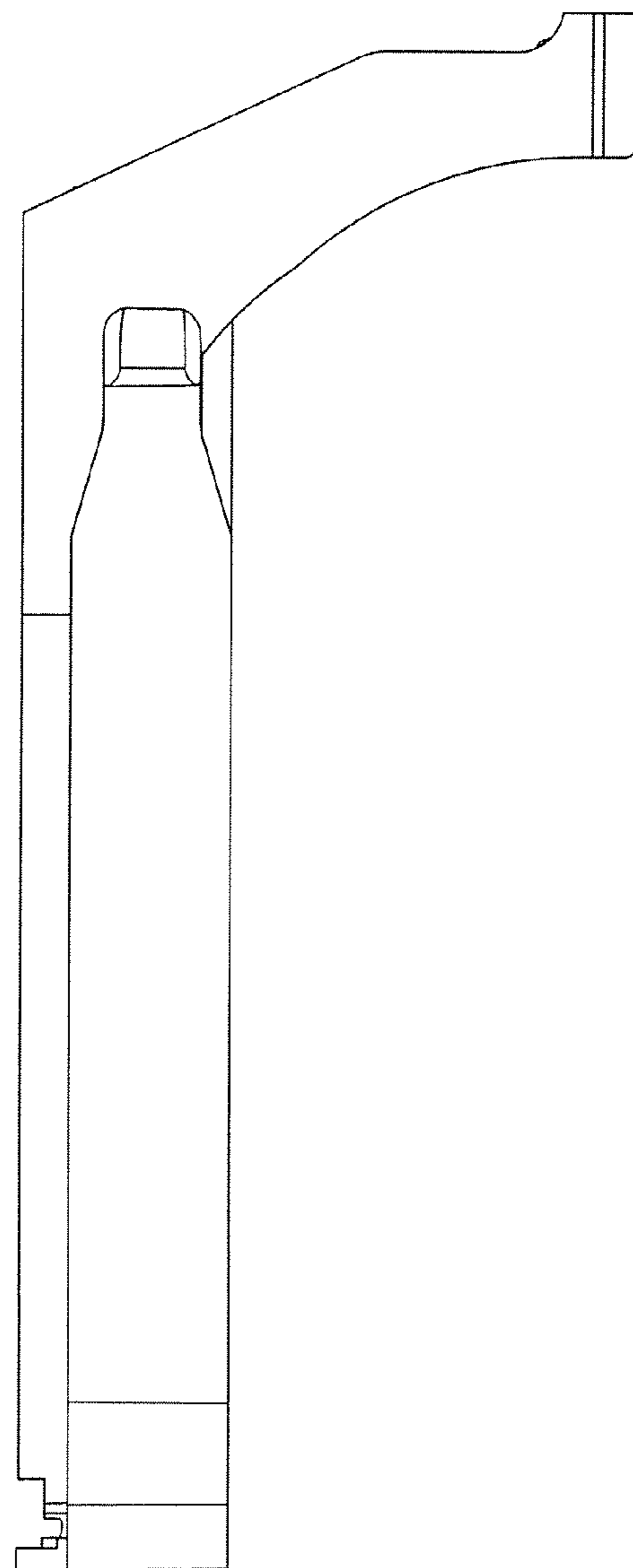


FIG. 8

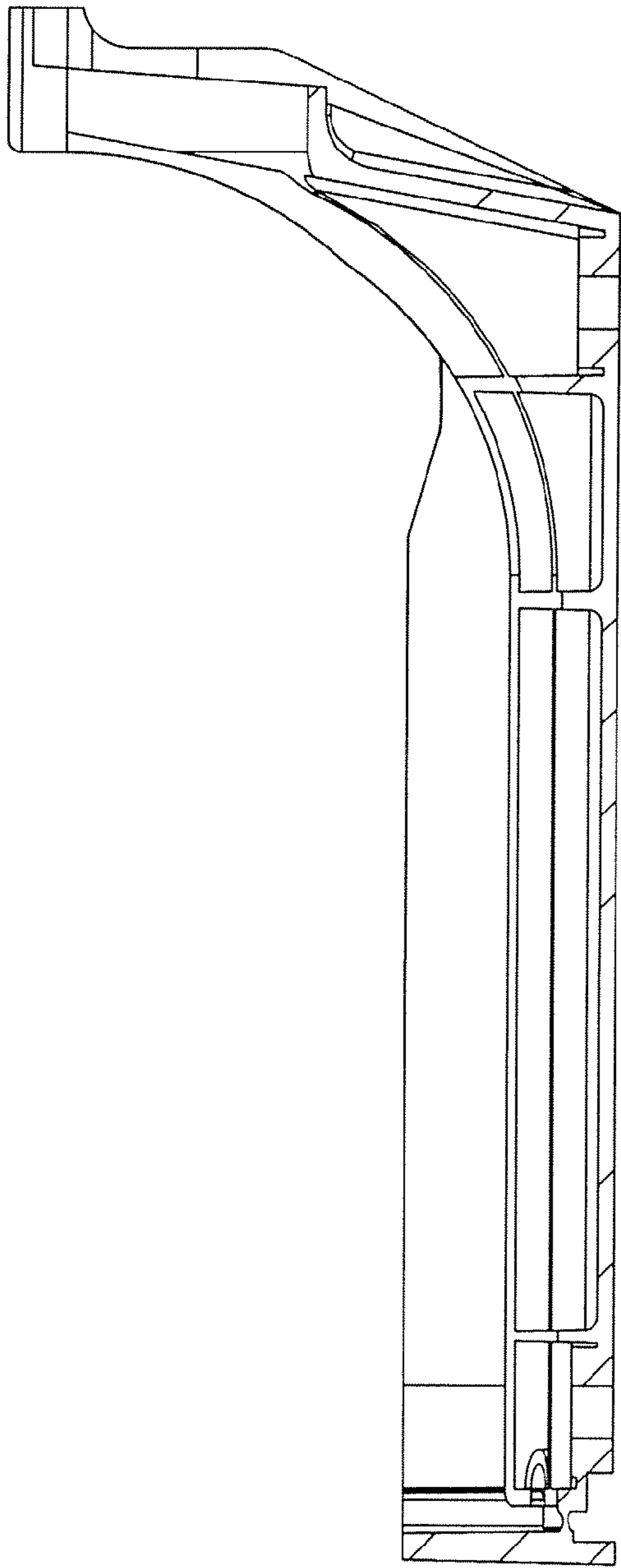


FIG. 9

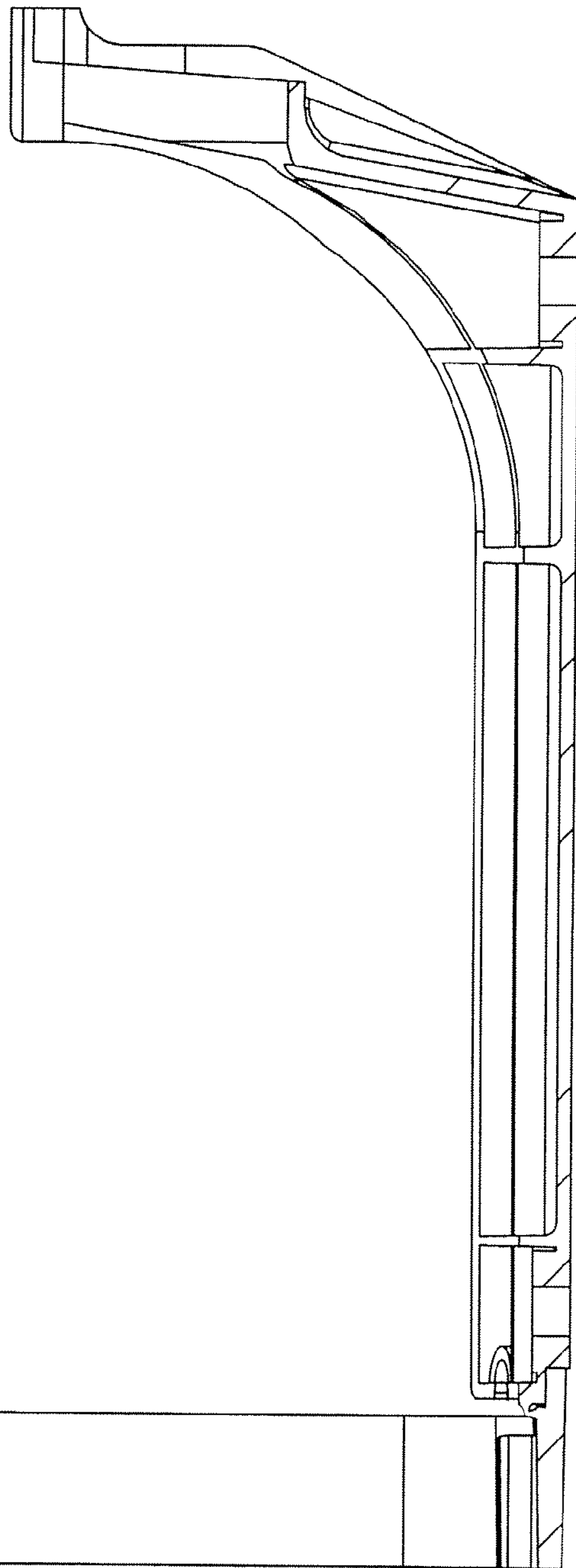


FIG.10

