

US00D545001S

(12) **United States Design Patent**
Le Gette et al.

(10) **Patent No.: US D545,001 S**
(45) **Date of Patent: ** Jun. 19, 2007**

(54) **EAR WARMER HAVING AN EXTERNAL FRAME**

DE 2516709 A1 10/1976
DE 4422767 A1 1/1996

(Continued)

(75) Inventors: **Brian E. Le Gette**, Baltimore, MD (US); **David L. Reeb**, Columbia, MD (US); **Alan S. Tipp**, Ellicott City, MD (US); **Justin Saul Werner**, Millersville, MD (US)

OTHER PUBLICATIONS

U.S. Appl. No. 29/201,219, Le Gette et al.
U.S. Appl. No. 29/201,220, Le Gette et al.
1999–2000 Catalog, “Accessory Goods,” Nitty Company, Ltd., 4 pgs.
Advertisement: The “PODZ” ear warming eye glass retainer, Shred Alert Products of Hood River, Oregon, 5 pgs.
Chicago Tribune article entitled “Winter From Head to Toe Lend and Ear to the Tale of This Intrepid Inventor,” by Sid Moody, Feb. 16, 1988, 4 pgs.
“History of the United States Patent Office—The Patent Office Pony—A History of the Early Patent Office” by Kenneth W. Dobyns, 1994, [Introductory Material–3pgs; Chapter 29 –4pgs.; and Sources and Annotations–40 pgs.].
U.S. Appl. No. 10/335,930, filed Jan. 3, 2003 Le Gette et al.

(73) Assignee: **180s, Inc.**, Baltimore, MD (US)

(**) Term: **14 Years**

(21) Appl. No.: **29/201,175**

(22) Filed: **Mar. 12, 2004**

Related U.S. Application Data

(62) Division of application No. 10/638,476, filed on Aug. 12, 2003.

(51) **LOC (8) Cl.** **29-02**

(52) **U.S. Cl.** **D29/122; D29/112**

(58) **Field of Classification Search** D29/112,
D29/122; 2/209, 174; 128/857, 864, 866;
181/129; 381/72, 370–372; D14/205–206,
D14/223

See application file for complete search history.

Primary Examiner—Ruth McInroy

(74) *Attorney, Agent, or Firm*—Edell, Shapiro & Finnann LLC

(57) **CLAIM**

The ornamental design for an ear warmer having an external frame, as shown and described.

DESCRIPTION

FIG. 1 is a perspective view of an ear warmer having an external frame showing our new design;
FIG. 2 is a front view of the ear warmer of FIG. 1;
FIG. 3 is a rear view of the ear warmer of FIG. 1;
FIG. 4 is a right side view of the ear warmer of FIG. 1;
FIG. 5 is a left side view of the ear warmer of FIG. 1;
FIG. 6 is a top view of the ear warmer of FIG. 1; and
FIG. 7 is a bottom view of the ear warmer of FIG. 1.
The broken lines in the figures merely illustrate the environment for the ear warmer of the present design and therefore form no part of the claimed design.

(56) **References Cited**

U.S. PATENT DOCUMENTS

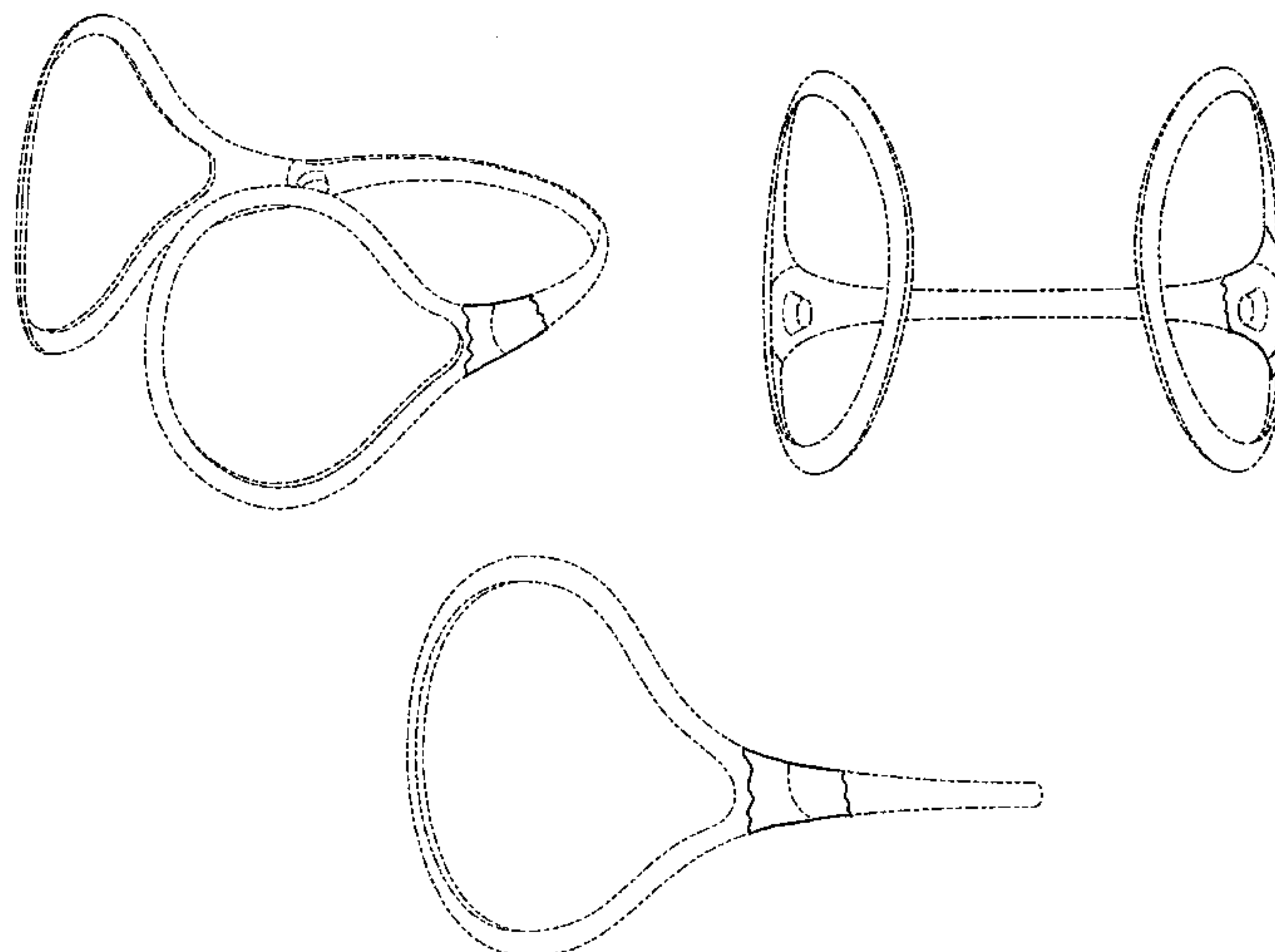
138,894 A	5/1873	Isidor
139,831 A	6/1873	Stone
183,359 A	10/1876	Abbott
188,292 A	3/1877	Greenwood
360,985 A	4/1887	Basch

(Continued)

FOREIGN PATENT DOCUMENTS

CA	2180036	1/1997
CH	294003	1/1954
CN	2291138	9/1998

1 Claim, 5 Drawing Sheets



US D545,001 S

U.S. PATENT DOCUMENTS					
365,061	A	6/1887 Friedman	4,654,898	A	4/1987 Ishikawa
548,738	A	10/1895 Ballard	4,660,229	A	4/1987 Harris
804,731	A	11/1905 Keller	4,662,590	A	5/1987 Hungerford, Jr.
836,087	A	11/1906 Callahan	4,669,129	A	6/1987 Chance
869,741	A	10/1907 Seitzman	4,670,911	A	6/1987 Dunford
932,487	A	8/1909 Melio	4,682,374	A	7/1987 Geiser
953,623	A	3/1910 Keller	4,713,843	A	12/1987 Duncan
1,167,368	A	4/1916 Adams-Randall	4,727,599	A	2/1988 Rappaport et al.
1,179,473	A	4/1916 Taylor	4,747,145	A	5/1988 Wiegel
1,274,842	A	8/1918 Basch	4,776,042	A	10/1988 Hanson et al.
1,326,875	A	12/1919 Miller	4,776,044	A	10/1988 Makins
1,398,958	A	12/1921 Basch	4,783,822	A	11/1988 Toole et al.
1,567,105	A	12/1925 Bohlman	4,791,684	A	12/1988 Schwartz
1,577,183	A	3/1926 Dowiarz	4,796,307	A	1/1989 Vantine
1,628,483	A	5/1927 Wiegand et al.	4,802,245	A	2/1989 Miano
1,988,880	A	1/1935 Strouse	D301,447	S	6/1989 Snyder
2,070,216	A	2/1937 Rosenberg	D301,477	S	6/1989 Storyk
2,216,954	A	10/1940 McDonough	4,858,248	A	8/1989 Goldsmith et al.
2,246,031	A	6/1941 Banitz et al.	4,864,619	A	9/1989 Spates
2,314,782	A	3/1943 Goretsky	4,872,219	A	10/1989 Duncan
2,333,392	A	11/1943 Rosenzweig	4,907,266	A	3/1990 Chen
2,378,398	A	6/1945 Fiedler	4,918,757	A	4/1990 Janssen et al.
2,405,326	A	8/1946 Ploraky	4,982,451	A	1/1991 Graham
2,420,245	A	5/1947 Hurst	5,003,589	A	3/1991 Chen
2,437,049	A	3/1948 Salisbury et al.	5,033,094	A	7/1991 Hung
2,532,852	A	12/1950 Oaks	5,038,412	A	8/1991 Cionni
2,582,907	A	1/1952 Kaufman	5,046,192	A	9/1991 Ryder
2,586,644	A	2/1952 Gilbert	5,052,194	A	10/1991 Jarus
2,615,169	A	* 10/1952 Maxant 2/209	5,086,789	A	2/1992 Tichy
2,651,046	A	9/1953 Berg	5,117,464	A	5/1992 Jones et al.
2,671,221	A	3/1954 Triplett	5,117,465	A	5/1992 MacDonald
2,717,930	A	9/1955 Hintz	5,164,987	A	11/1992 Raven
2,776,436	A	1/1957 Berg	5,201,856	A	4/1993 Edwards
2,858,544	A	11/1958 Roth	5,257,420	A	11/1993 Byrne, Jr.
2,899,683	A	8/1959 Wadsworth et al.	5,257,420	A	11/1993 Byrne, Jr.
2,946,860	A	7/1960 Jansen et al.	5,303,426	A	4/1994 Jones
3,087,028	A	4/1963 Bonnin	5,327,178	A	7/1994 McManigal
3,104,398	A	9/1963 Palmaer	5,339,467	A	8/1994 Brinkley
3,112,493	A	12/1963 Greenberg	5,357,585	A	10/1994 Kumar
3,119,119	A	1/1964 Millinger et al.	5,509,146	A	4/1996 Bryerton, Sr.
3,156,923	A	11/1964 Timm	5,528,774	A	6/1996 Sanders
3,249,949	A	5/1966 Rosenberg et al.	5,545,859	A	8/1996 Ullrich
3,308,480	A	3/1967 Elder	5,551,089	A	9/1996 Whidden
3,311,713	A	3/1967 Knuebel	5,551,090	A	9/1996 Thompson
3,440,663	A	4/1969 Beguin	D375,825	S	* 11/1996 Whidden D2/866
3,447,160	A	6/1969 Teder	5,617,589	A	4/1997 Lacore et al.
3,509,580	A	5/1970 Rubenstein et al.	5,625,903	A	5/1997 Schultz et al.
3,721,993	A	3/1973 Lonnstedt	5,673,438	A	10/1997 Lambert
3,728,741	A	4/1973 Lepor	5,691,515	A	11/1997 Landis
3,787,899	A	1/1974 Kawagna	D390,564	S	2/1998 Savona
3,841,325	A	10/1974 Pickard	5,718,001	A	2/1998 Wright
3,944,018	A	3/1976 Satory	5,724,119	A	3/1998 Leight
4,065,176	A	12/1977 Fontana	5,749,099	A	5/1998 Voorhees
4,277,847	A	7/1981 Florio	5,793,878	A	8/1998 Chang
4,349,081	A	9/1982 Pepple	5,821,468	A	10/1998 Urella et al.
4,391,000	A	7/1983 Lonnstedt	5,835,609	A	* 11/1998 LeGette et al. 381/385
4,404,434	A	9/1983 Pelt et al.	5,860,166	A	1/1999 Ritts
4,409,442	A	10/1983 Kamimura	5,887,286	A	3/1999 Waldron
4,445,005	A	4/1984 Furuhashi	5,898,945	A	5/1999 Weiser
4,455,457	A	6/1984 Akira	5,943,703	A	8/1999 Avila, Jr.
4,463,223	A	7/1984 Yamanoi et al.	5,953,434	A	9/1999 Boyden
4,471,496	A	9/1984 Gardner, Jr. et al.	6,016,574	A	1/2000 Chen
4,486,903	A	12/1984 Krystal	6,029,282	A	2/2000 Buschman
4,499,593	A	2/1985 Antle	6,055,672	A	5/2000 Natvig
4,516,274	A	5/1985 Buckland	6,065,157	A	5/2000 Felman
4,542,803	A	9/1985 Houng	6,104,824	A	8/2000 Ito
4,546,215	A	10/1985 Ferraro	6,148,446	A	11/2000 Leight
4,571,746	A	2/1986 Görike	6,332,223	B1	12/2001 Le Gette et al.
4,615,185	A	10/1986 Bollinger	6,377,697	B1	4/2002 Cheng
4,633,530	A	1/1987 Satterfield	6,499,146	B2	* 12/2002 Bavetta et al. 2/209
			6,502,247	B2	1/2003 Le Gette et al.
			6,502,248	B2	1/2003 LeGette et al.

US D545,001 S

Page 3

D473,539 S	4/2003	O'Leary	JP	53-143627	11/1978
6,580,800 B1	6/2003	Yamasaki et al.	JP	57-11884	1/1982
6,735,784 B2 *	5/2004	Isom et al. 2/209	JP	57-205216	12/1982
6,744,901 B2	6/2004	Ito et al.	JP	58-15618	1/1983
2003/0088905 A1	5/2003	Bavetta et al.	JP	58-138484	9/1983
2003/0097706 A1	5/2003	La Gette et al.	JP	59-129815	8/1984
2004/0005071 A1	1/2004	Sidkin et al.	JP	60-29141	2/1985
2004/0187192 A1	9/2004	Isom et al.	JP	60-244188 A	12/1985
2005/0034216 A1	2/2005	La Gette et al.	JP	62-21016	2/1987
2005/0034217 A1	2/2005	Healy et al.	JP	63-20232	6/1988
2005/0034218 A1	2/2005	La Gette et al.	JP	1-125319	8/1989
2005/0036643 A1	2/2005	La Gette et al.	JP	63-21972	8/1989
2005/0241047 A1	11/2005	Dean et al.	JP	6-41720	6/1994
2005/0246815 A1	11/2005	Le Gette et al.	JP	6-351090 A	12/1994
			JP	10-079994	3/1998
			JP	10-85251	4/1998
			JP	11-229223	8/1999
			JP	10257581	8/2000
			JP	2002-11036 A	1/2002
			KR	20-0226271	6/2001
			KR	20-0314976	6/2003
			KR	30-0336877	11/2003
			WO	92/17079	10/1992
			WO	94/09734	5/1994
			WO	97/48296	12/1997
			WO	98/07062	2/1998
			WO	98/31314	7/1998
			WO	01/76402 A1	10/2001
			WO	02/083044	10/2002
			WO	03/086124	10/2003
FOREIGN PATENT DOCUMENTS					
DE	29800973 U1	4/1998			
DE	2812652 U1	3/1999			
DE	29812652 A1	3/1999			
EP	074364 B1	4/1996			
EP	0745364 A2	4/1996			
FR	1 353 524	1/1964			
FR	2538204 A1	12/1982			
FR	2 532 838 A1	3/1984			
FR	2 536 251 A	5/1984			
FR	2 536 253 A	5/1984			
GB	1327614	8/1973			
GB	2062478 A	5/1981			
GB	2320885 A	7/1998			
GB	2339642 A	2/2000			
JP	47-19024	11/1972			
JP	48-15626	9/1973			

* cited by examiner

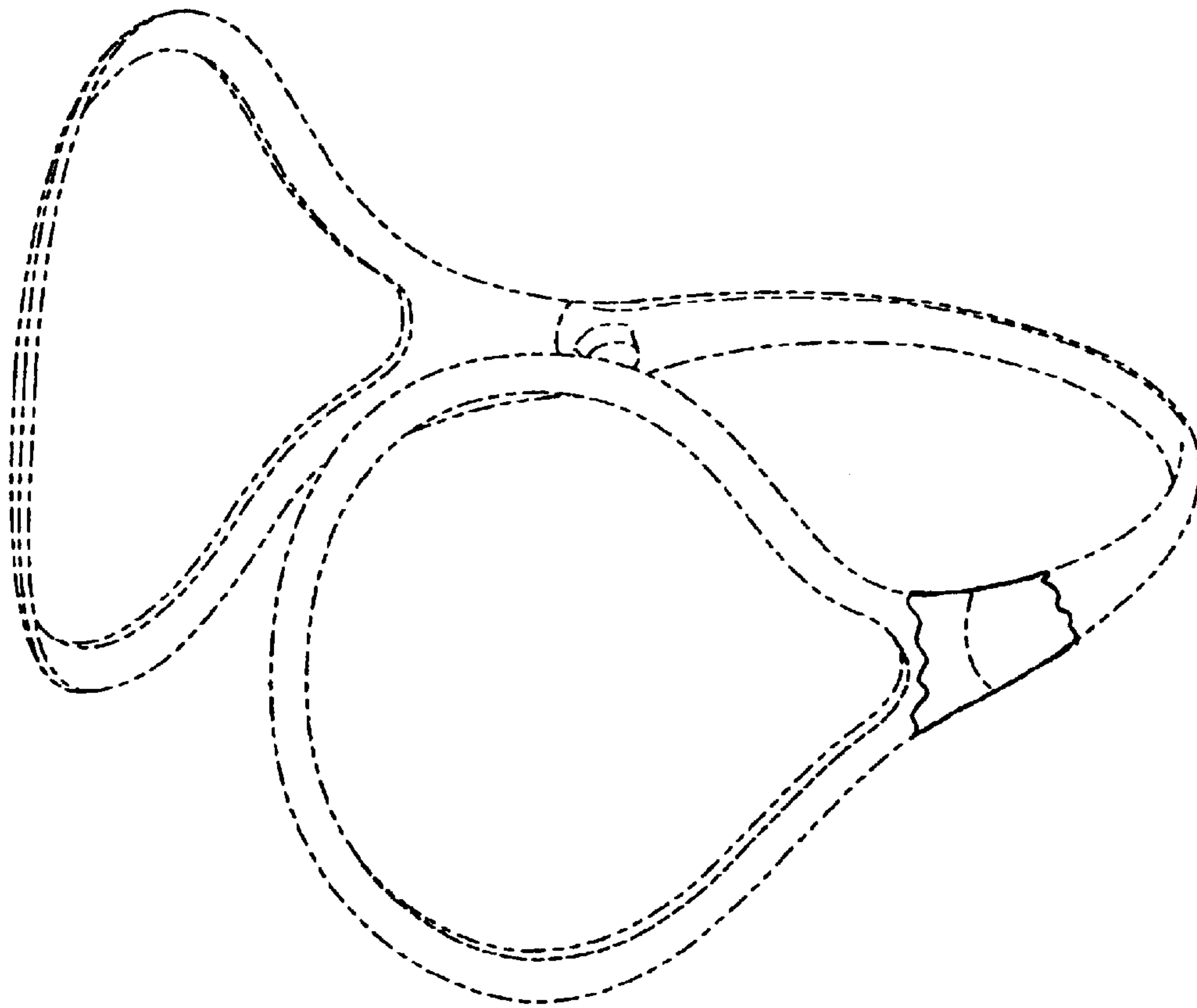


FIG. 1

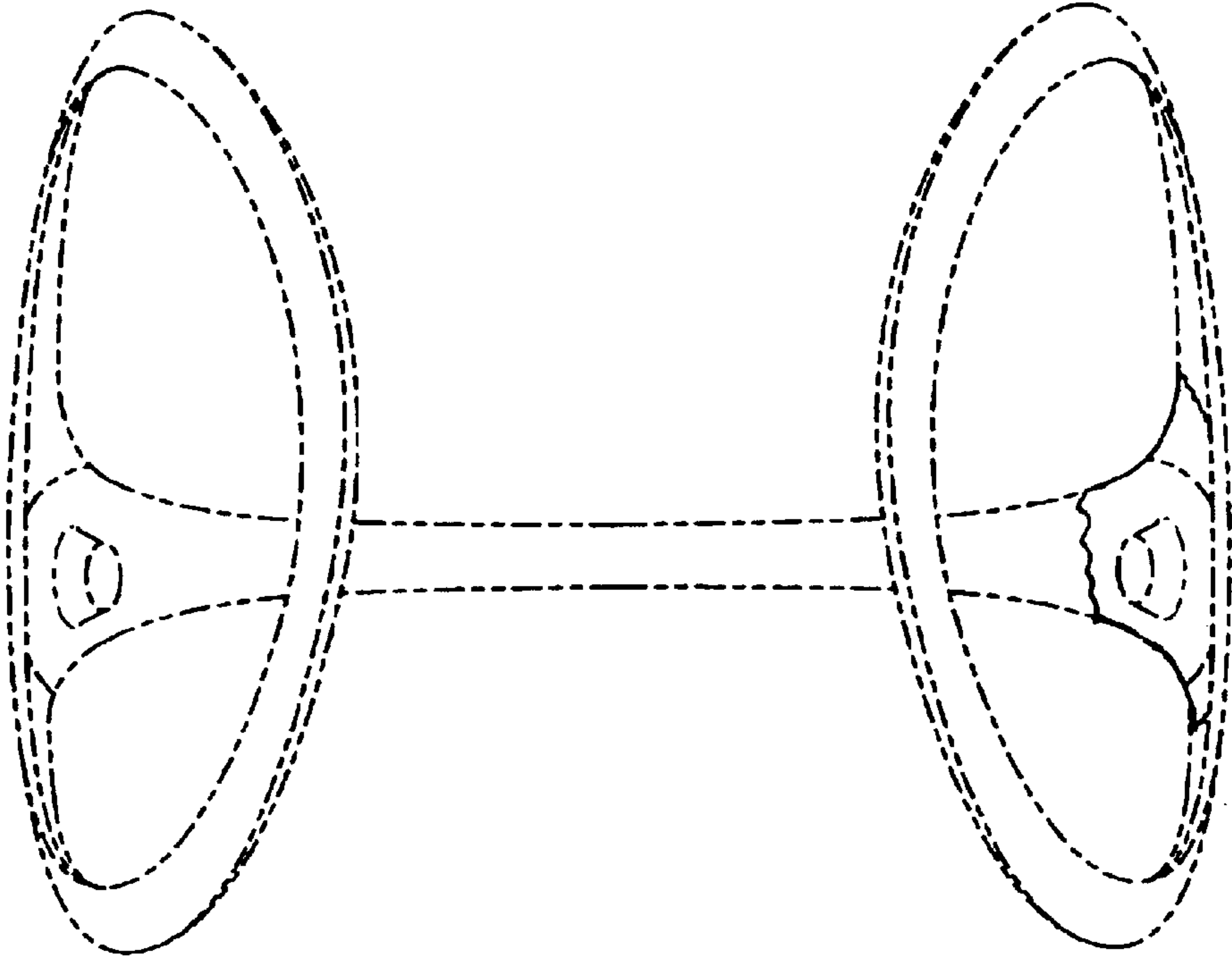


FIG. 2

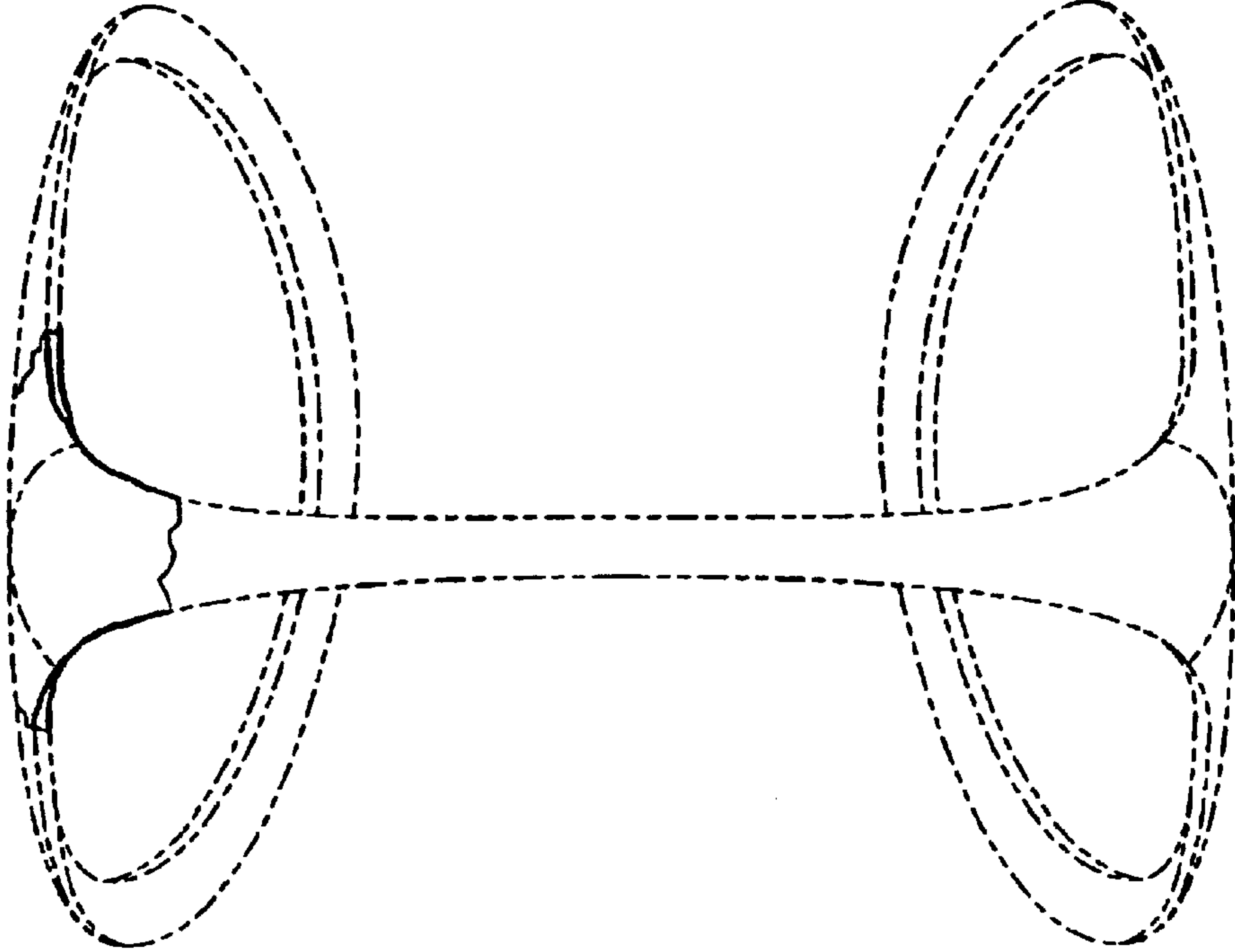


FIG. 3

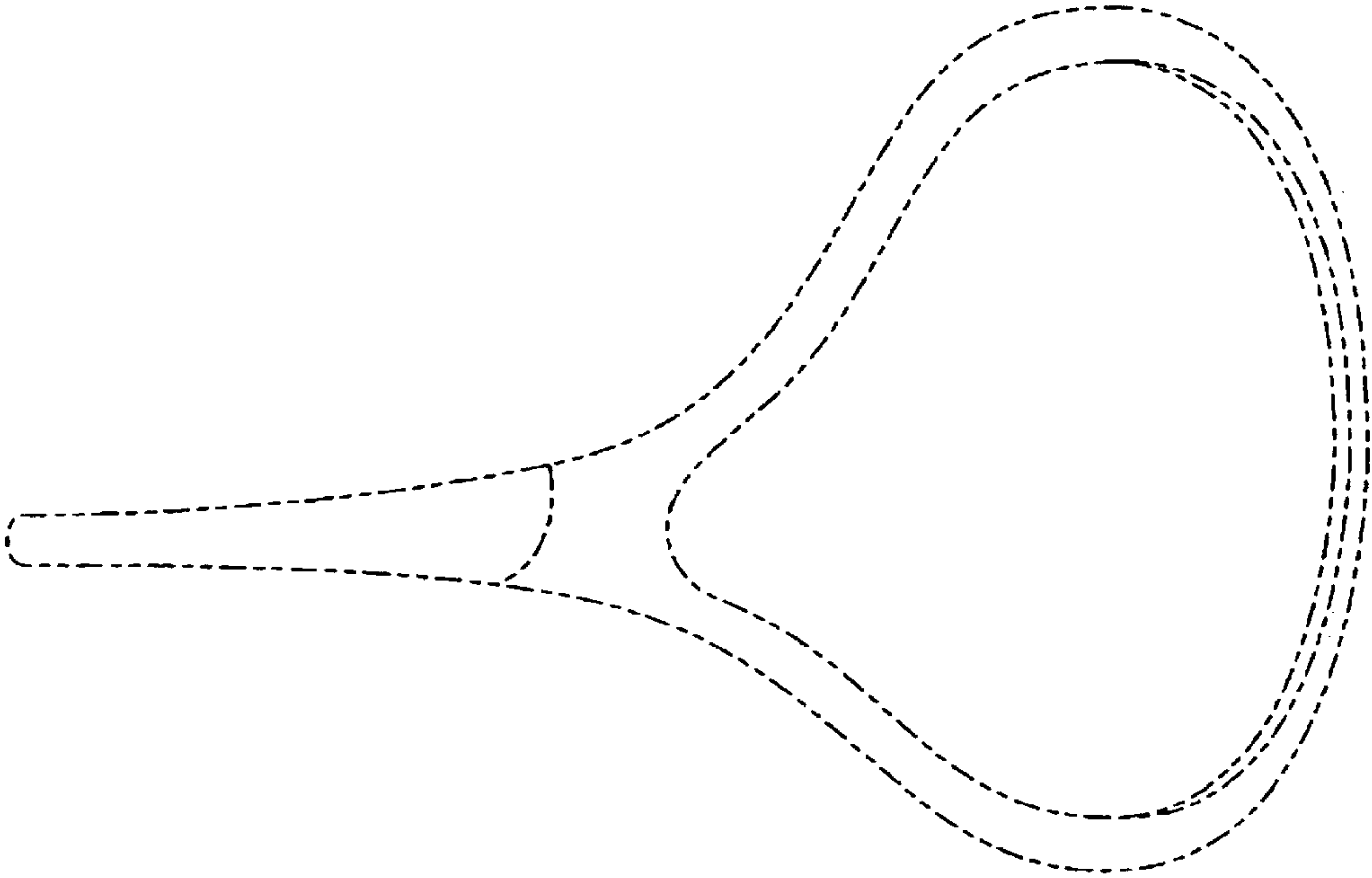


FIG. 4

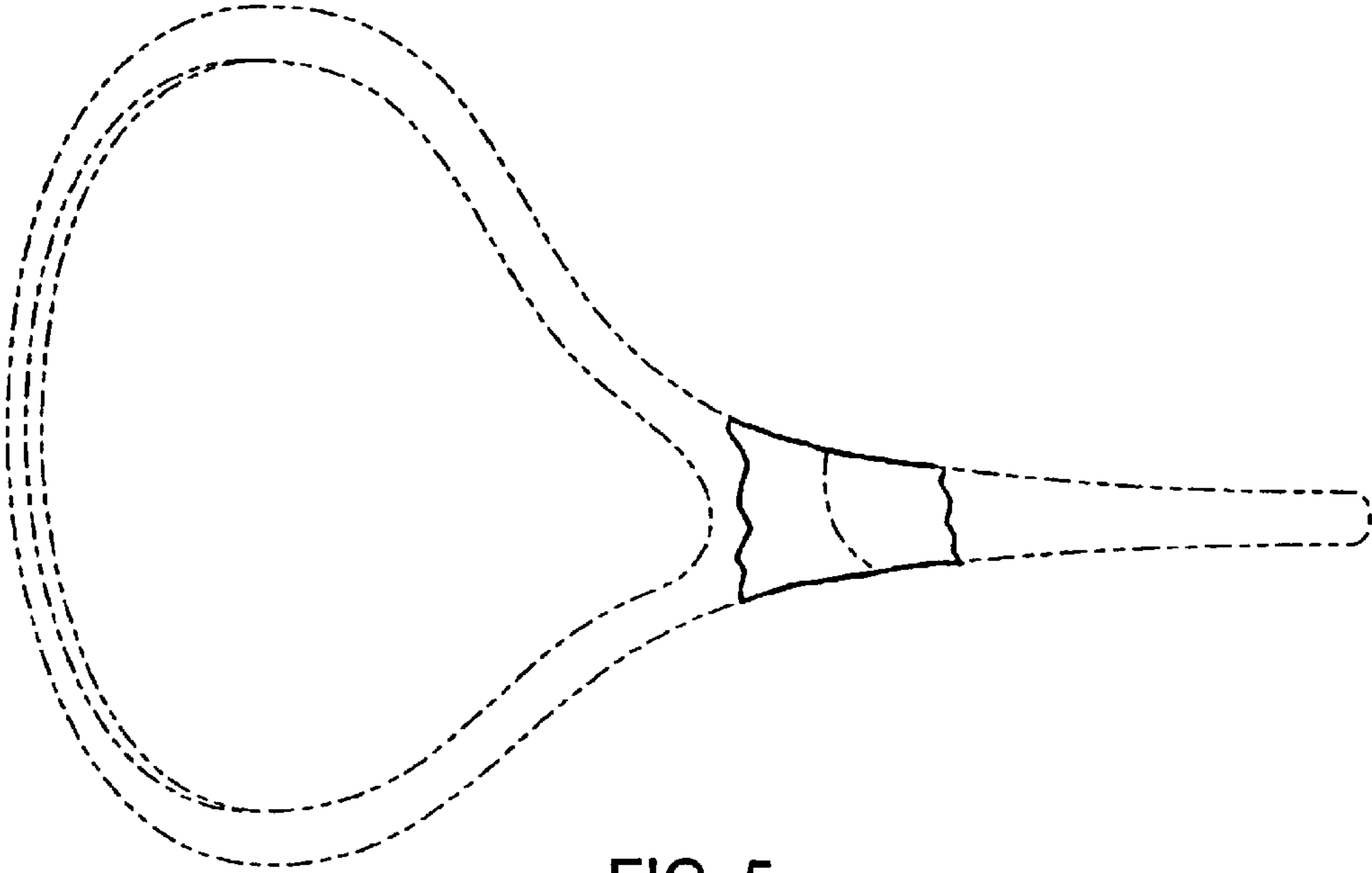


FIG. 5

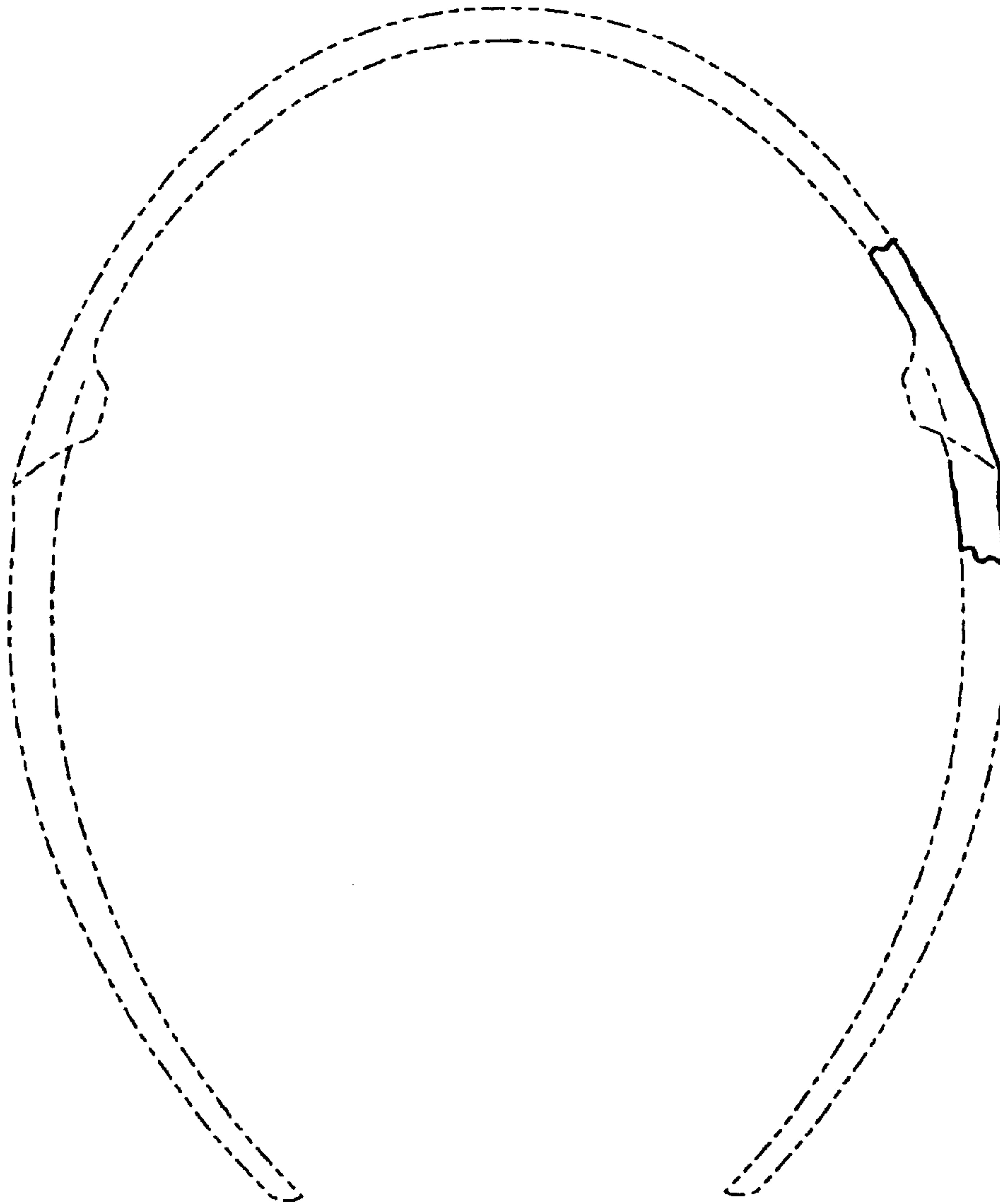


FIG. 6

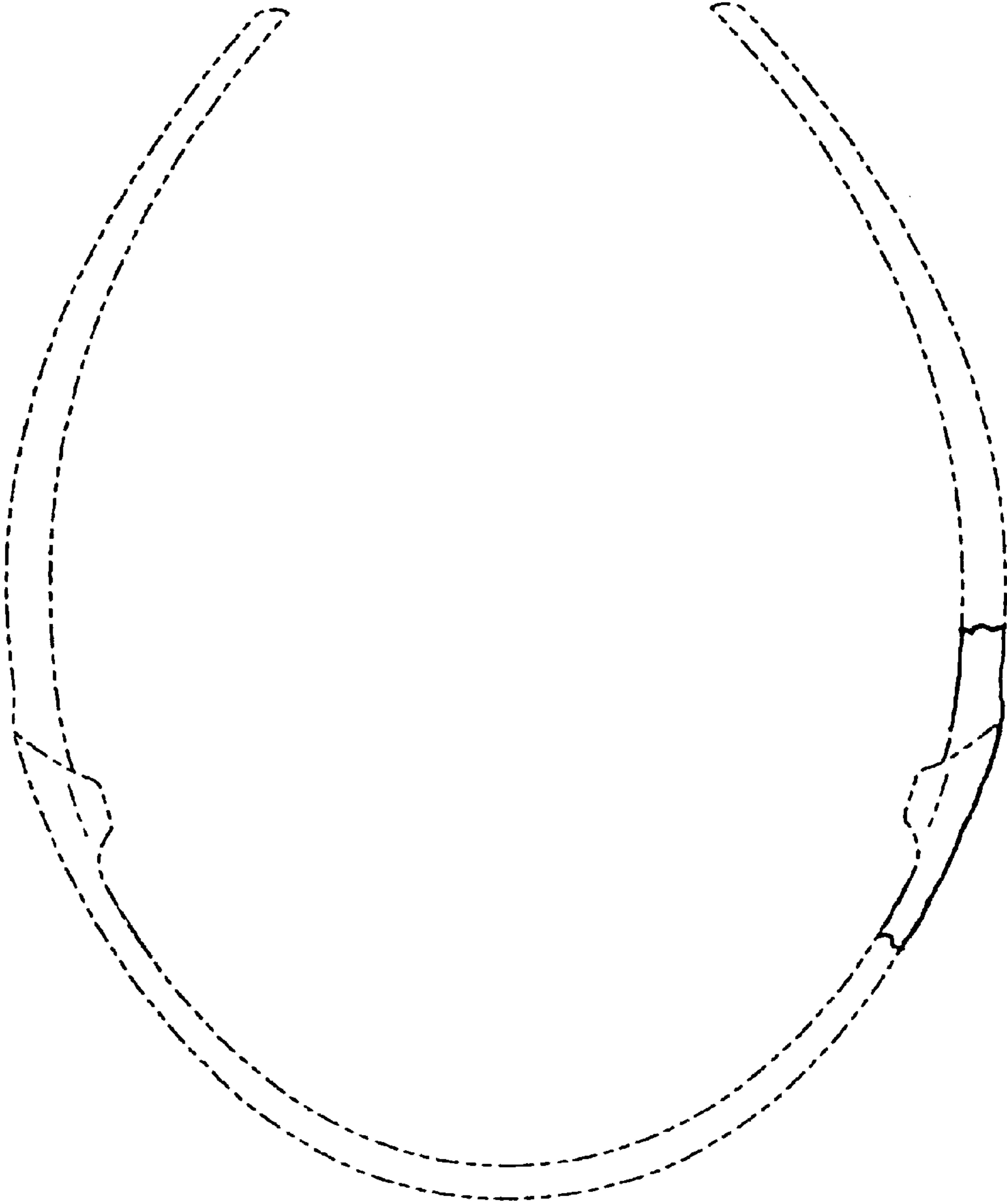


FIG. 7