



US00D544996S

(12) **United States Design Patent**  
**Graves et al.**

(10) **Patent No.:** **US D544,996 S**  
(45) **Date of Patent:** **\*\* Jun. 19, 2007**

(54) **STAR-SHAPED SHADE FOR A LIGHTING FIXTURE**

**DESCRIPTION**

(75) Inventors: **Michael Graves**, Princeton, NJ (US);  
**Donald Strum**, Princeton, NJ (US);  
**William J. Harrington**, Princeton, NJ (US)

(73) Assignee: **Hubbell Incorporated**, Orange, CT (US)

(\*\*) Term: **14 Years**

(21) Appl. No.: **29/217,350**

(22) Filed: **Nov. 17, 2004**

(51) **LOC (8) Cl.** ..... **26-99**

(52) **U.S. Cl.** ..... **D26/130**

(58) **Field of Classification Search** ..... D26/72,  
D26/87, 81, 109, 118, 80, 75, 130, 108, 113,  
D26/85, 86, 134, 133, 131, 135, 132, 129,  
D26/128; 248/344; 362/345; D23/377

See application file for complete search history.

(56) **References Cited**

**U.S. PATENT DOCUMENTS**

D8,972 S 2/1876 Ford  
D20,853 S \* 6/1891 Kirchberger ..... D26/134

(Continued)

*Primary Examiner*—Freda S. Nunn

*Assistant Examiner*—Kevin K. Rudzinski

(74) *Attorney, Agent, or Firm*—Marcus R. Mickney; Mark S. Bicks; Alfred N. Goodman

(57) **CLAIM**

The ornamental design for a star-shaped shade for a lighting fixture, as shown and described.

FIG. 1 is a perspective view of a star-shaped shade for a lighting fixture adapted to be mounted on a support surface in accordance with a first embodiment of the present invention;

FIG. 2 is a front elevational view of the star-shaped shade for a lighting fixture illustrated in FIG. 1;

FIG. 3 is a side elevational view of the star-shaped shade for a lighting fixture illustrated in FIGS. 1 and 2;

FIG. 4 is a top plan view of the star-shaped shade for a lighting fixture illustrated in FIGS. 1–3;

FIG. 5 is a perspective view of a star-shaped shade for a lighting fixture adapted to be mounted on a support surface in accordance with a second embodiment of the present invention;

FIG. 6 is a front elevational view of the star-shaped shade for a lighting fixture illustrated in FIG. 5;

FIG. 7 is a side elevational view of the star-shaped shade for a lighting fixture illustrated in FIGS. 5 and 6;

FIG. 8 is a top plan view of the star-shaped shade for a lighting fixture illustrated in FIGS. 5–7;

FIG. 9 is a perspective view of a star-shaped shade for a lighting fixture adapted to be mounted to a support surface in accordance with a third embodiment of the present invention;

FIG. 10 is a front elevational view of the star-shaped shade for a lighting fixture illustrated in FIG. 9;

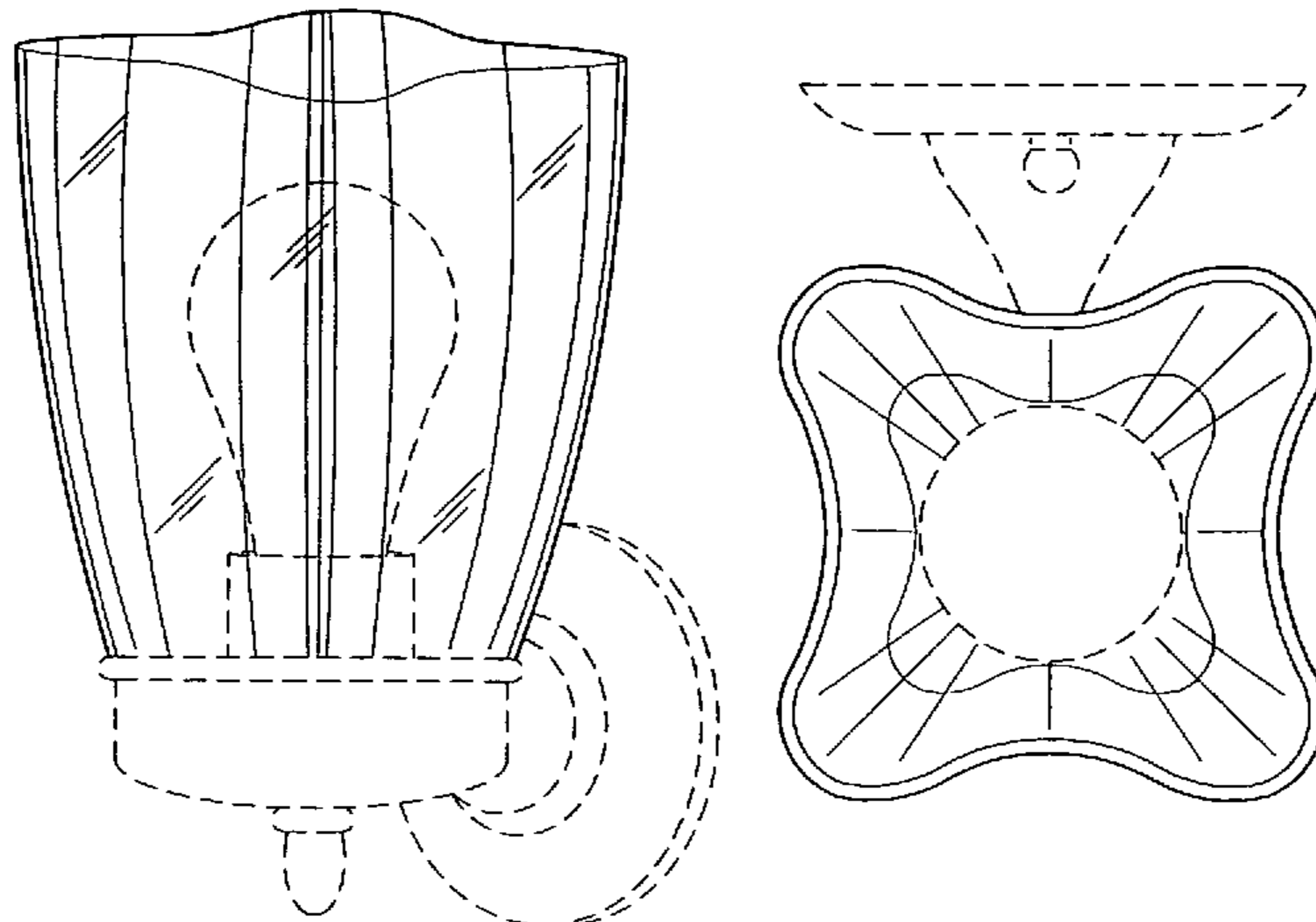
FIG. 11 is a side elevational view of the star-shaped shade for a lighting fixture illustrated in FIGS. 9 and 10;

FIG. 12 is a top plan view of the star-shaped shade for a lighting fixture illustrated in FIGS. 9–11; and,

FIG. 13 is another top plan view of a star-shaped shade for a lighting fixture adapted to be mounted to a support surface in accordance with the third embodiment.

The broken lines are shown for illustrative purposes only and form no part of the claimed design. The orientation of the star-shaped shade for a lighting fixture also forms no part of the claimed design.

**1 Claim, 7 Drawing Sheets**



# US D544,996 S

Page 2

## U.S. PATENT DOCUMENTS

D41,724 S *	8/1911	Booth	.....	D26/134	D367,725 S	3/1996	Segill	
D42,403 S *	4/1912	Strong	.....	D26/133	D374,844 S *	10/1996	Weder et al.	..... D11/164
1,024,369 A	4/1912	Sechrist			D376,004 S *	11/1996	Tsuji	..... D23/377
D42,866 S *	8/1912	Young	.....	D26/133	D387,701 S *	12/1997	Shieh	..... D11/154
D46,004 S *	6/1914	Mygatt	.....	D26/133	D401,006 S	11/1998	Edwards	
D46,816 S *	1/1915	Haley	.....	D26/133	D402,502 S *	12/1998	Liaw	..... D7/402
D50,504 S	3/1917	Barrows			D413,547 S *	9/1999	Wagner	..... D11/164
1,728,547 A	9/1929	Herweg			D416,616 S *	11/1999	LaSpina	..... D23/377
D86,945 S	2/1932	Watkin			D428,511 S	7/2000	Hsieh	
D96,920 S *	9/1935	Laxer	.....	D26/130	D463,604 S *	9/2002	Phillips	..... D26/87
D96,922 S *	9/1935	Laxer	.....	D26/130	D464,462 S *	10/2002	Shieh	..... D26/132
D98,886 S *	3/1936	Petzold	.....	D26/105	D464,758 S	10/2002	Lee	
2,153,395 A	4/1939	Sadacca			D465,595 S	11/2002	Hoernig	
3,014,124 A	12/1961	Yakem			D465,871 S	11/2002	Hoernig	
D244,795 S	6/1977	O'Hara			D473,001 S *	4/2003	Hoernig	..... D26/80
4,241,393 A *	12/1980	Olson	.....	362/348	D478,393 S *	8/2003	Alduby	..... D26/118
D276,659 S *	12/1984	Habro	.....	D26/118	D491,688 S	6/2004	Shyu	
D313,479 S *	1/1991	Goldberg	.....	D26/16				
D365,887 S	1/1996	Pickett						

\* cited by examiner

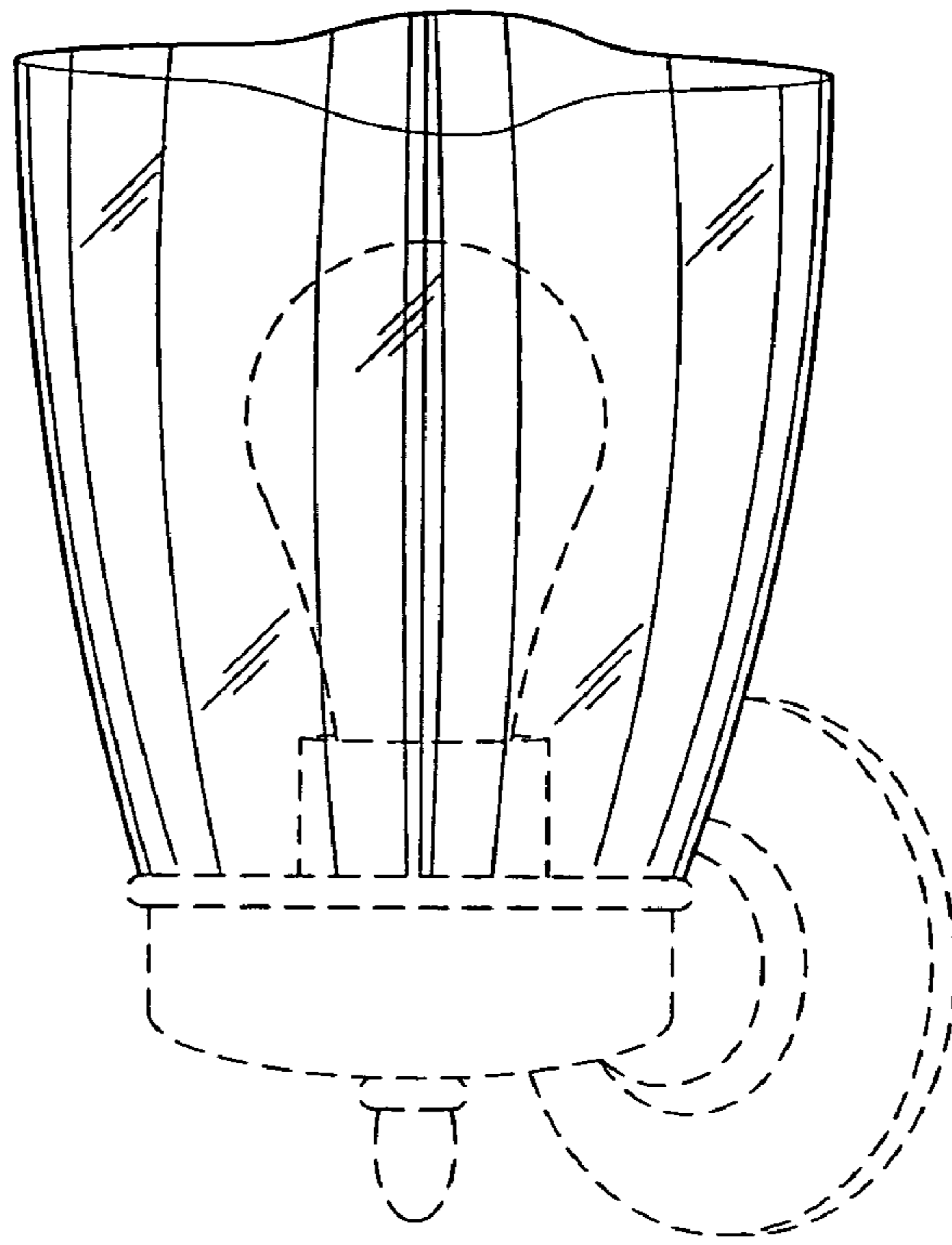


FIG. 1

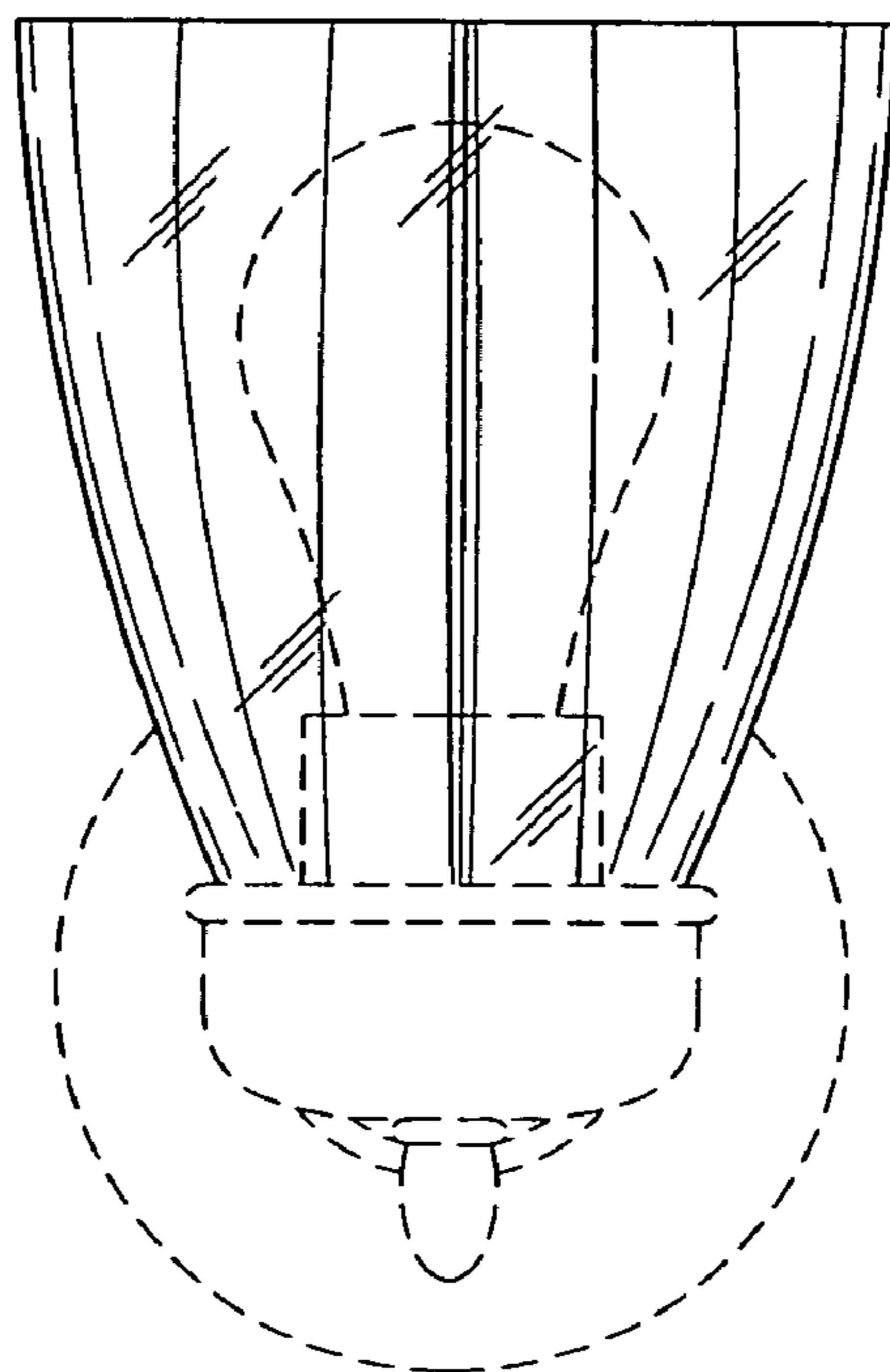


FIG. 2

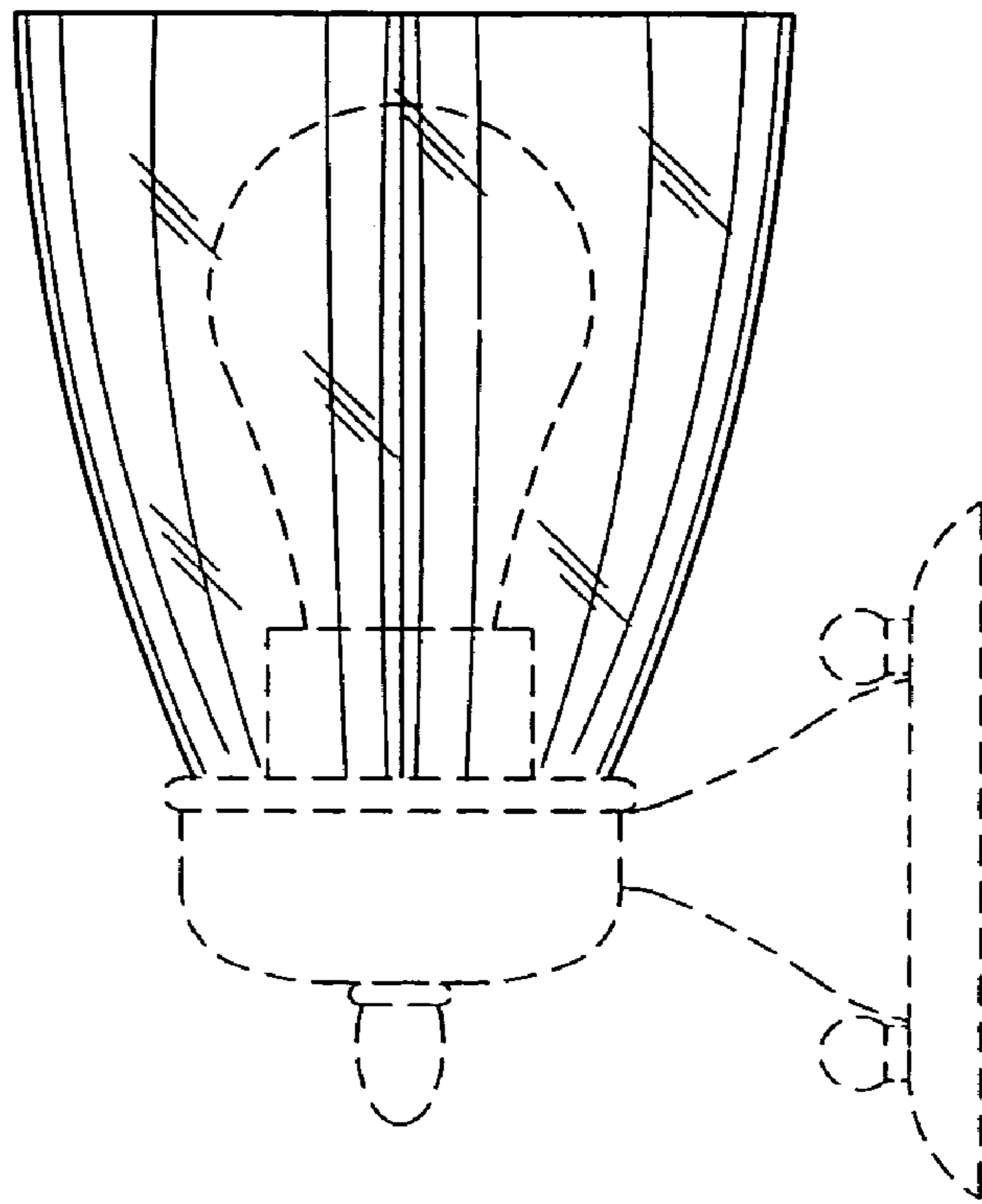


FIG.3

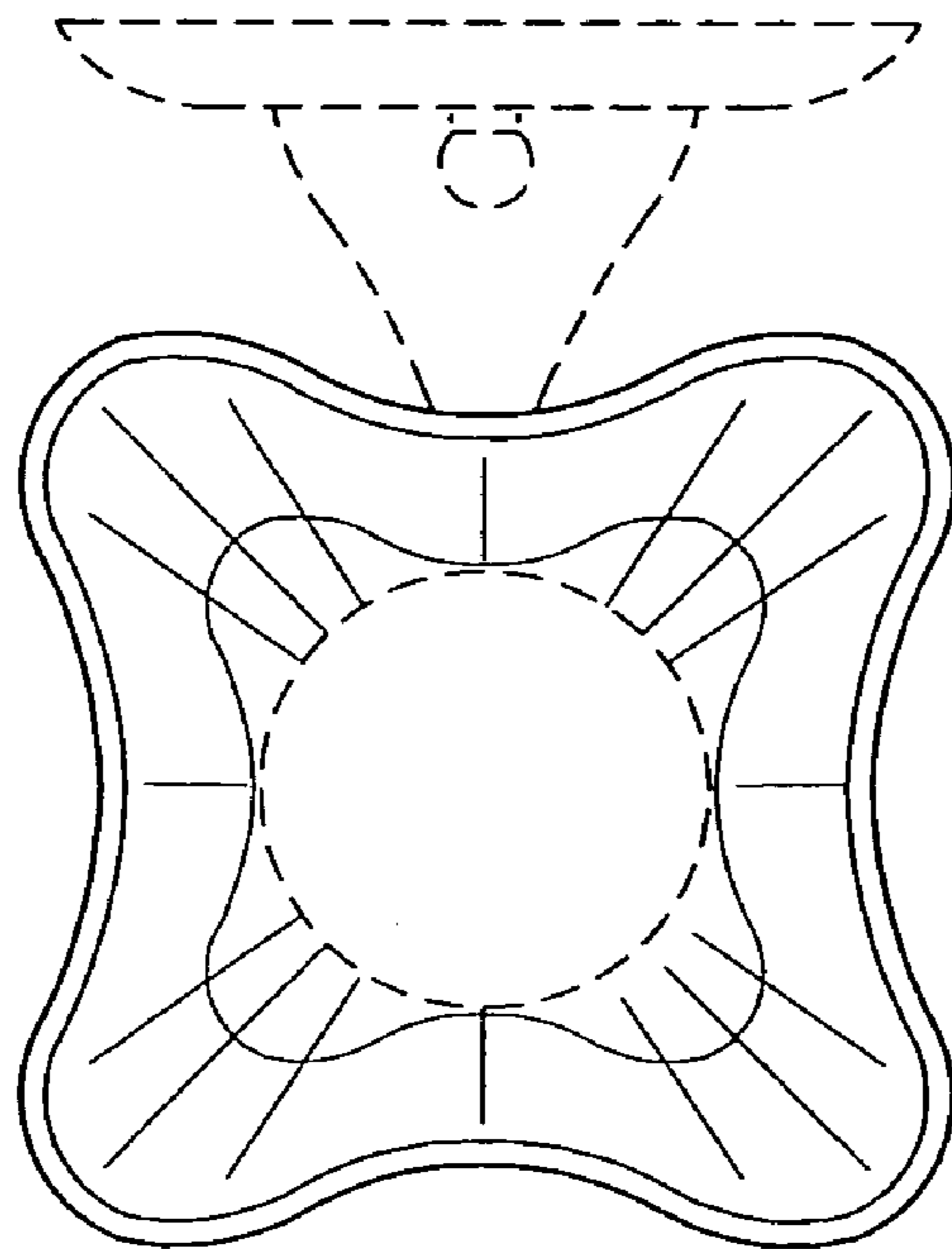


FIG.4

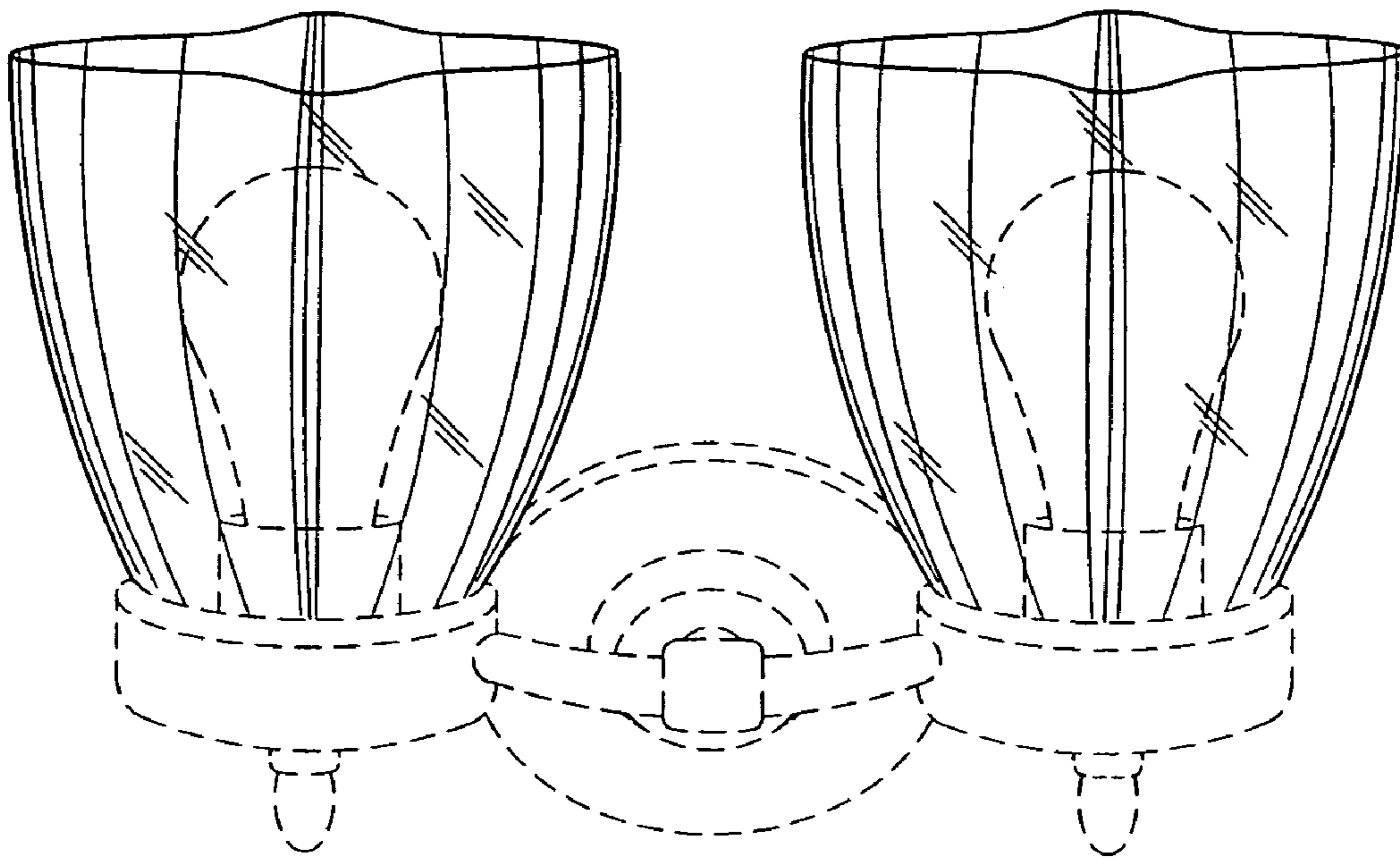


FIG. 5

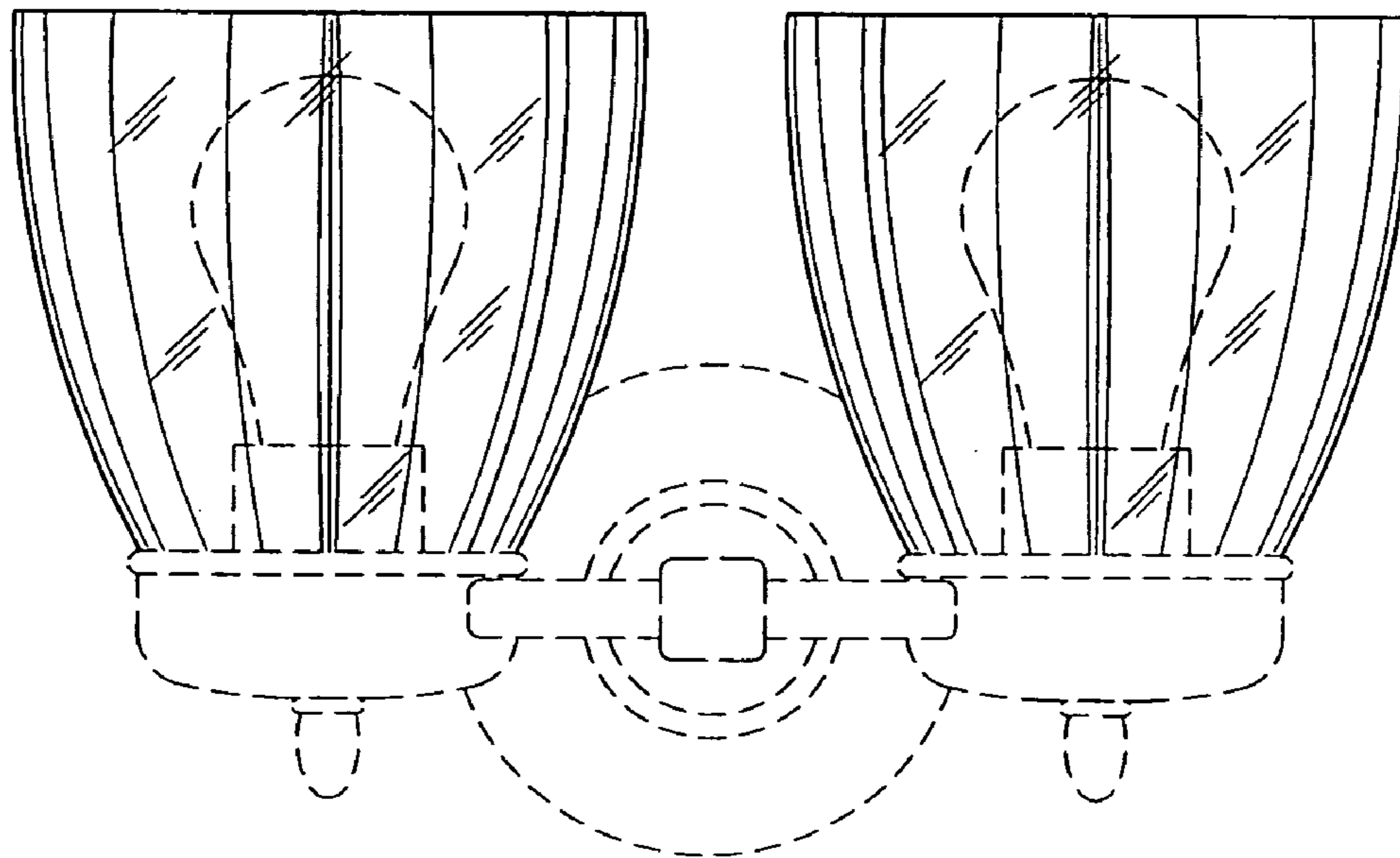


FIG. 6

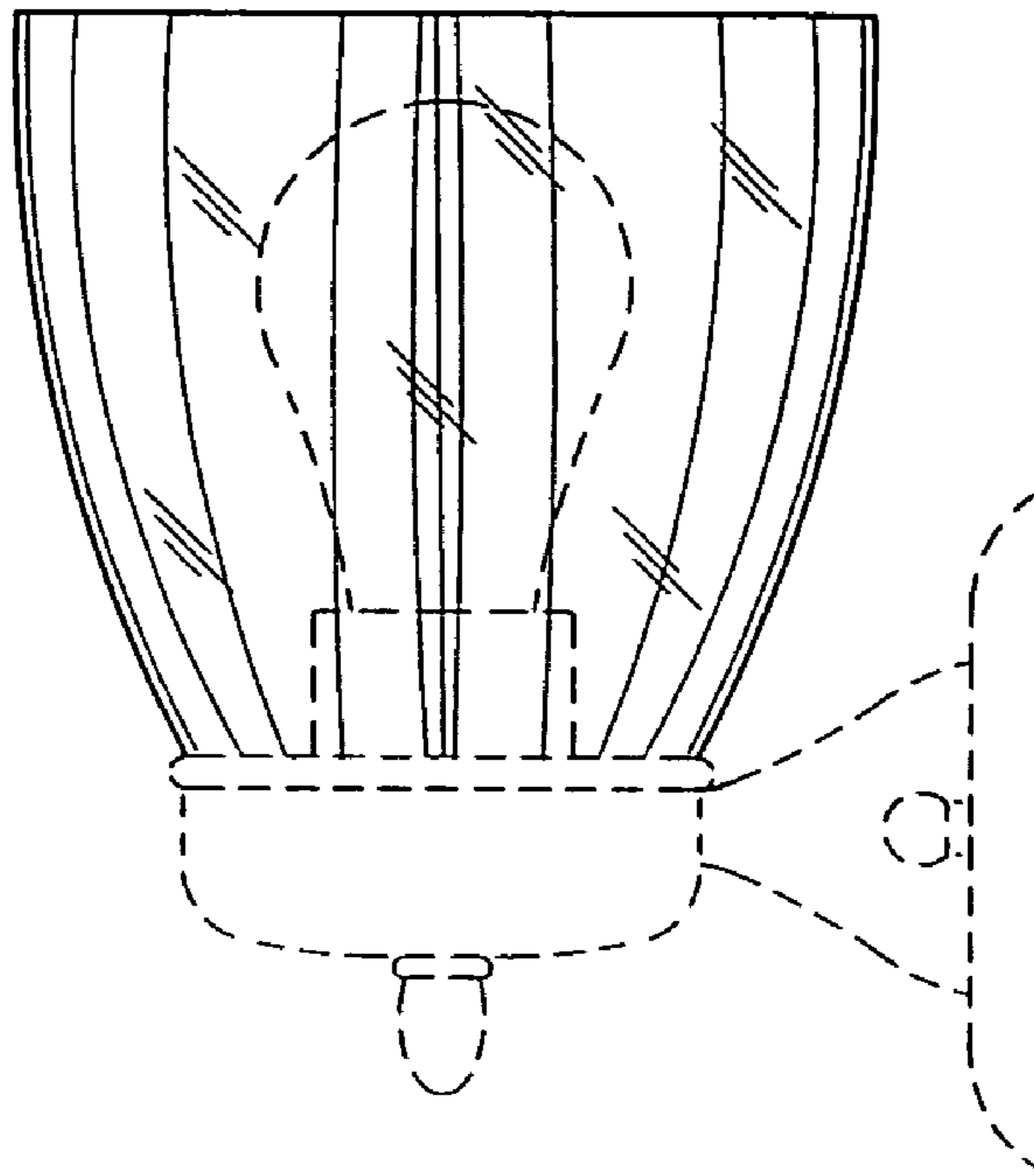


FIG. 7

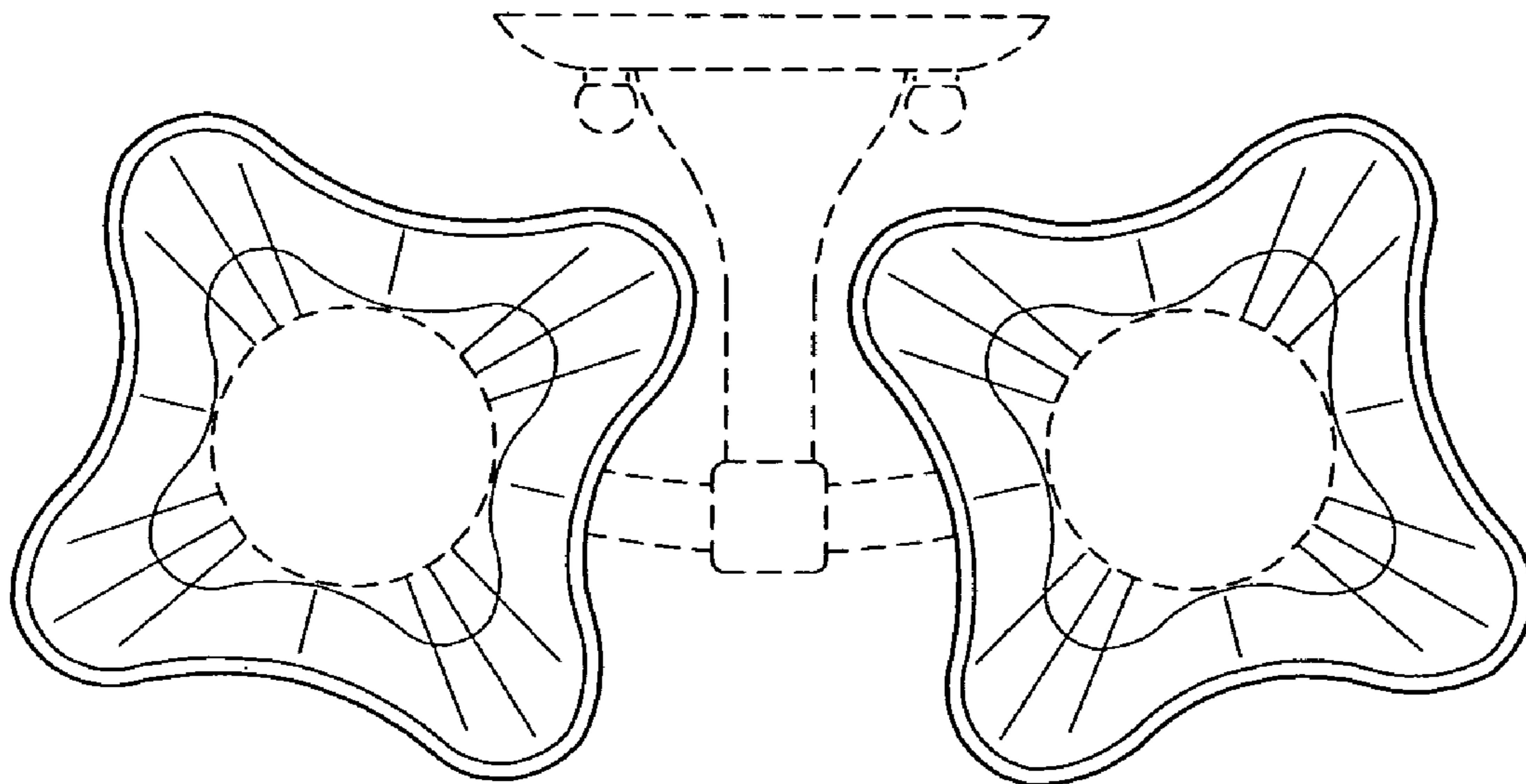


FIG. 8

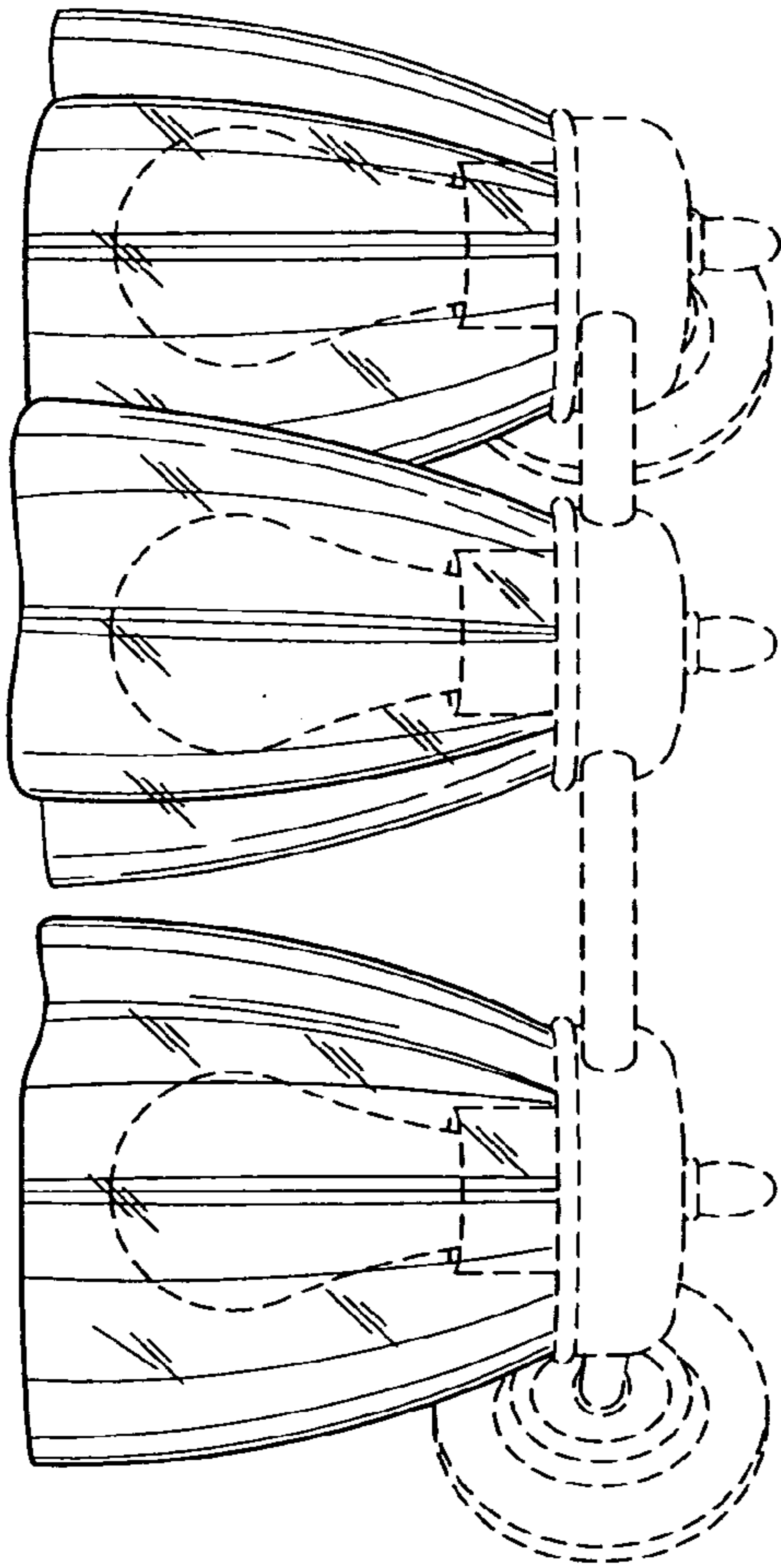


FIG. 9

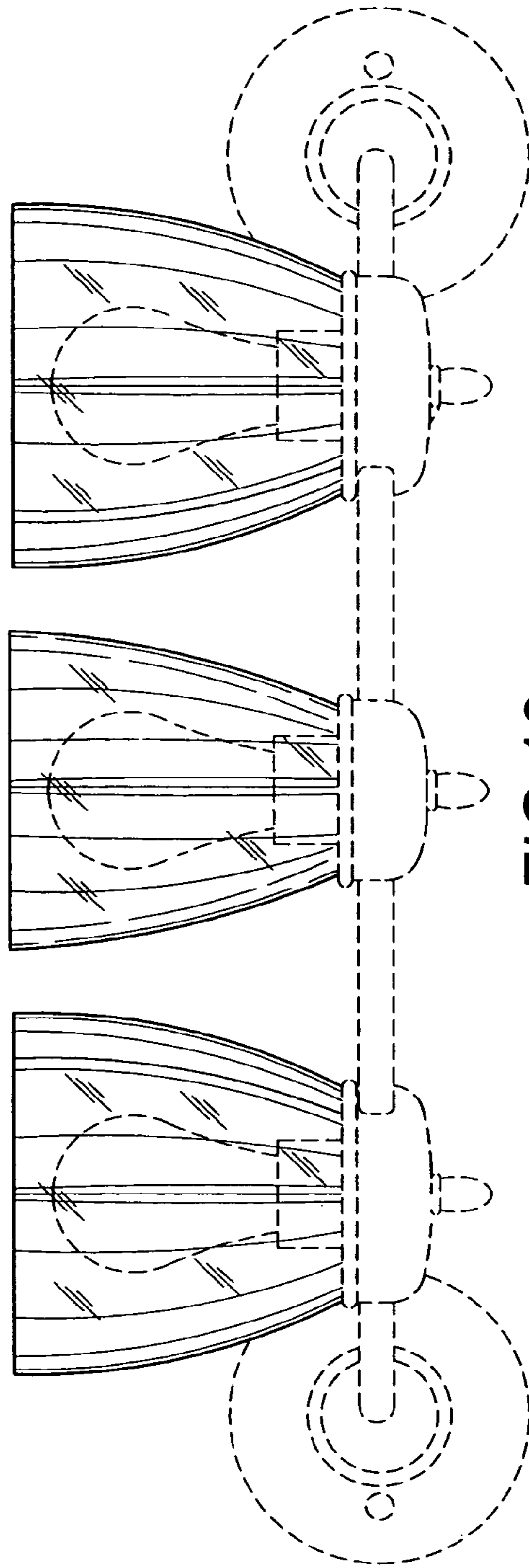


FIG. 10

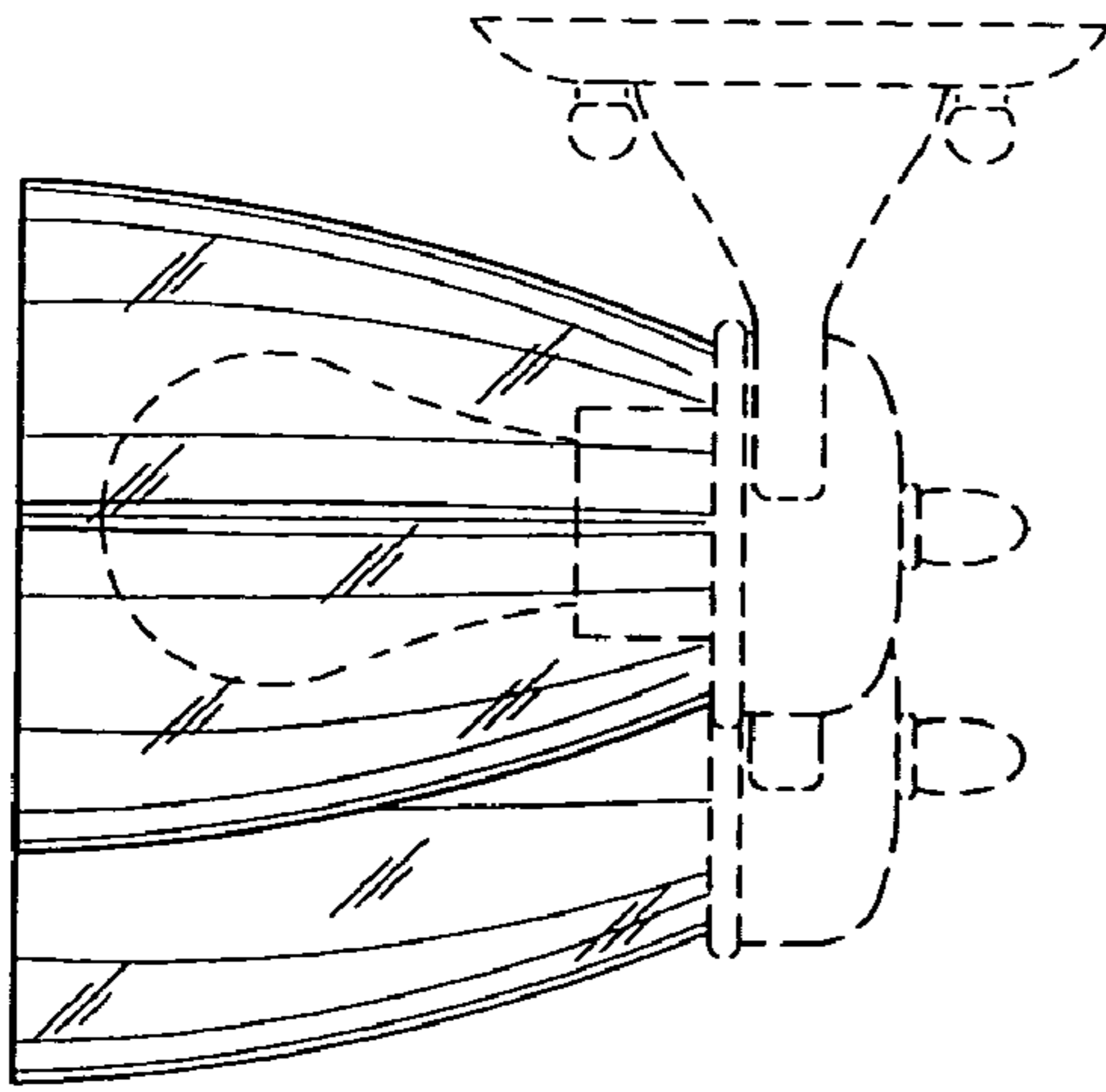


FIG. 11

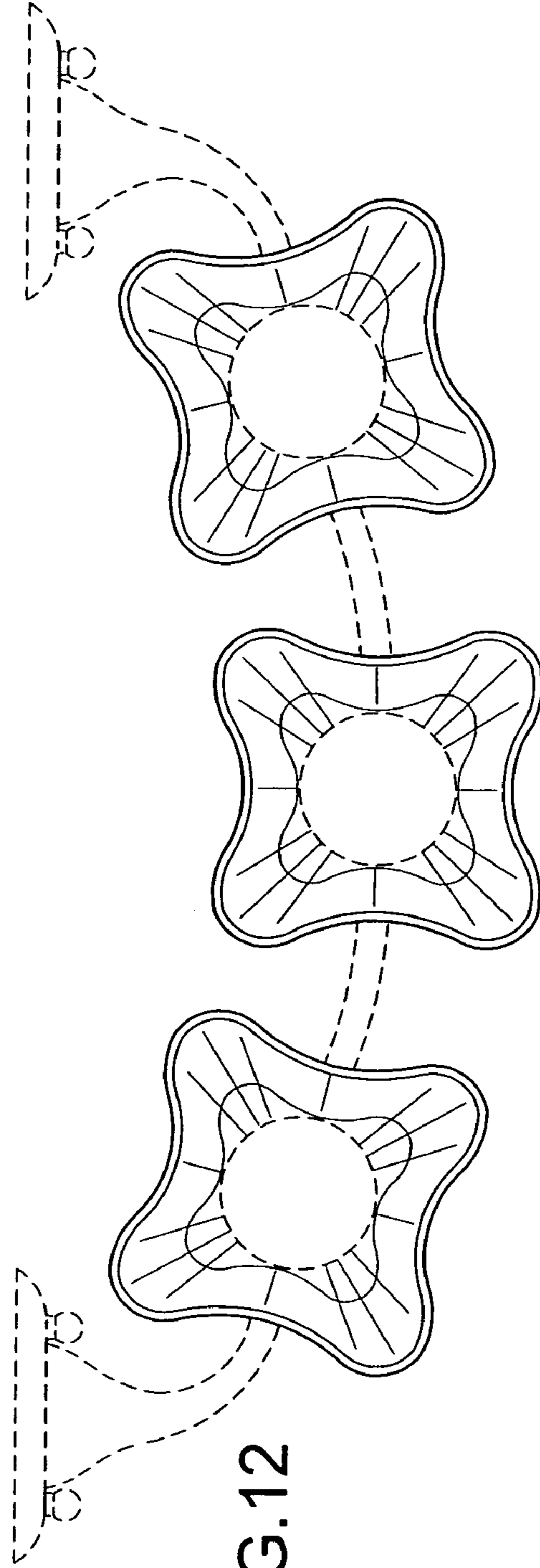


FIG. 12



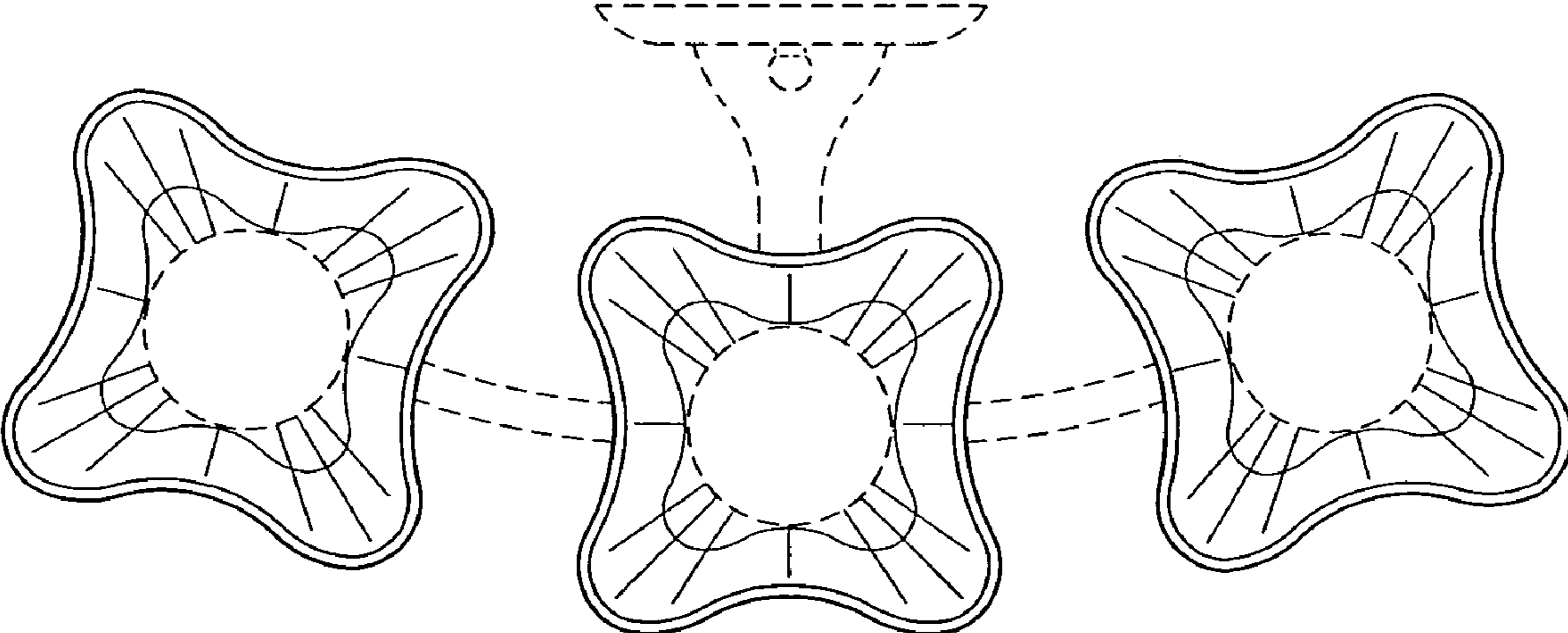


FIG.13