



US00D544995S

(12) **United States Design Patent**
Hargreaves

(10) **Patent No.:** **US D544,995 S**

(45) **Date of Patent:** **** Jun. 19, 2007**

(54) **HORTICULTURE LIGHT REFLECTOR**

(75) Inventor: **Craig Hargreaves**, Vancouver, WA
(US)

(73) Assignee: **IP Holdings, LLC**, Vancouver, WA
(US)

(**) Term: **14 Years**

(21) Appl. No.: **29/234,105**

(22) Filed: **Jul. 14, 2005**

(51) **LOC (8) Cl.** **26-99**

(52) **U.S. Cl.** **D26/118**

(58) **Field of Classification Search** D26/3,
D26/24, 42, 72, 75, 85, 113, 118, 119, 120,
D26/128; 362/219, 257, 260, 294, 317, 362,
362/368, 217

See application file for complete search history.

(56) **References Cited**

U.S. PATENT DOCUMENTS

3,025,391	A *	3/1962	Golko	362/221
3,125,301	A *	3/1964	Stotter	362/217
3,272,978	A *	9/1966	Jackson	362/408
4,078,169	A *	3/1978	Armstrong	362/122
D259,738	S *	6/1981	Boschetti	D24/210
4,669,033	A *	5/1987	Lee	362/217
4,814,954	A *	3/1989	Spitz	362/217
4,933,821	A *	6/1990	Anderson	362/223
D311,597	S *	10/1990	Poot	D26/118
5,195,822	A *	3/1993	Takahashi et al.	362/296
5,440,470	A *	8/1995	Ly	362/341
D383,243	S *	9/1997	Fry et al.	D26/118
D397,481	S *	8/1998	Schafer	D26/85

D400,289	S *	10/1998	Wardenburg et al.	D26/118
6,024,468	A *	2/2000	Kassay et al.	362/260
6,042,250	A *	3/2000	Stragnola	362/297
D428,516	S *	7/2000	Reo et al.	D26/118
6,231,209	B1 *	5/2001	Leibig et al.	362/219
6,908,212	B2 *	6/2005	Schultz	362/217
2002/0141195	A1 *	10/2002	Peter	362/362

* cited by examiner

Primary Examiner—Freda S. Nunn

Assistant Examiner—Kevin K. Rudzinski

(74) *Attorney, Agent, or Firm*—Robert J. Ireland

(57) **CLAIM**

I claim the ornamental design for a horticulture light reflector, as shown and described.

DESCRIPTION

FIG. 1 is a perspective view of the horticulture light reflector, according to the new and unique ornamental design;

FIG. 2 is a left side view of the horticulture light reflector as shown in FIG. 1, further showing the new design;

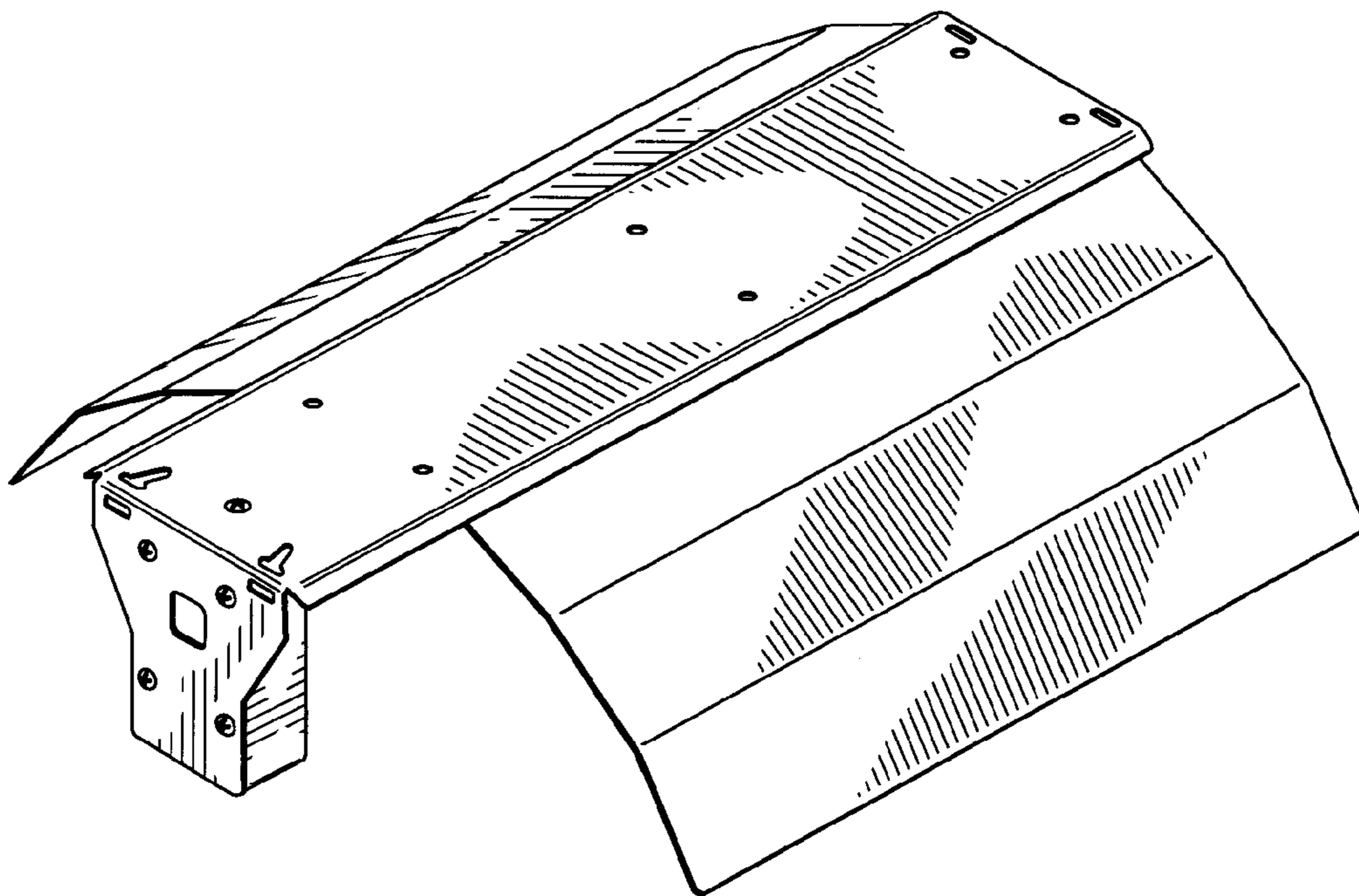
FIG. 3 is a right side view of the horticulture light reflector as shown in FIG. 1, further showing the new design;

FIG. 4 is a front view of the horticulture light reflector as shown in FIG. 1, the back view being a mirror image thereof;

FIG. 5 is a bottom view of the horticulture light reflector as shown in FIG. 1, further showing the new design; and,

FIG. 6 is a top view of the horticulture light reflector as shown in FIG. 1, further showing the new design.

1 Claim, 6 Drawing Sheets



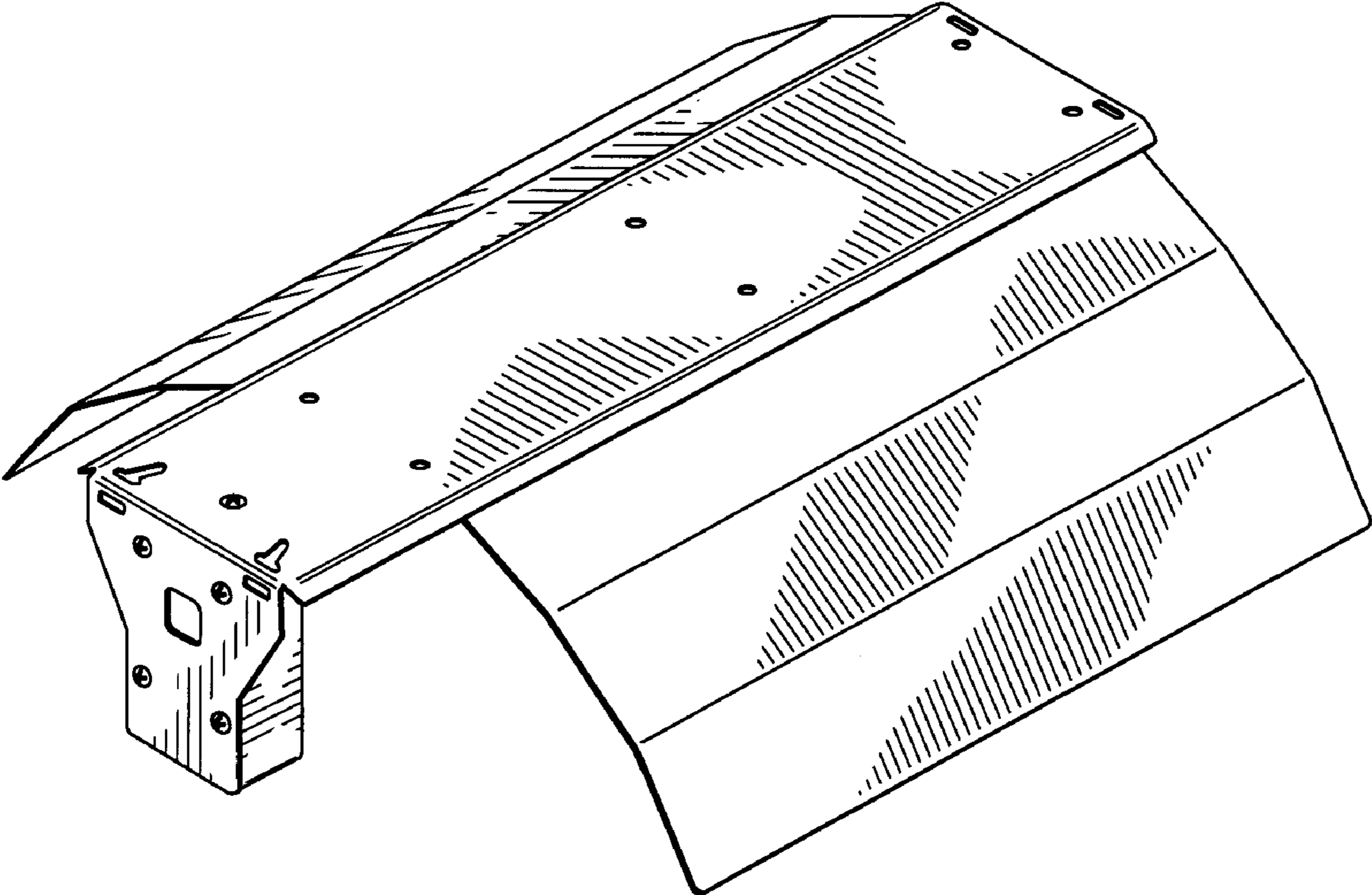


FIG. 1

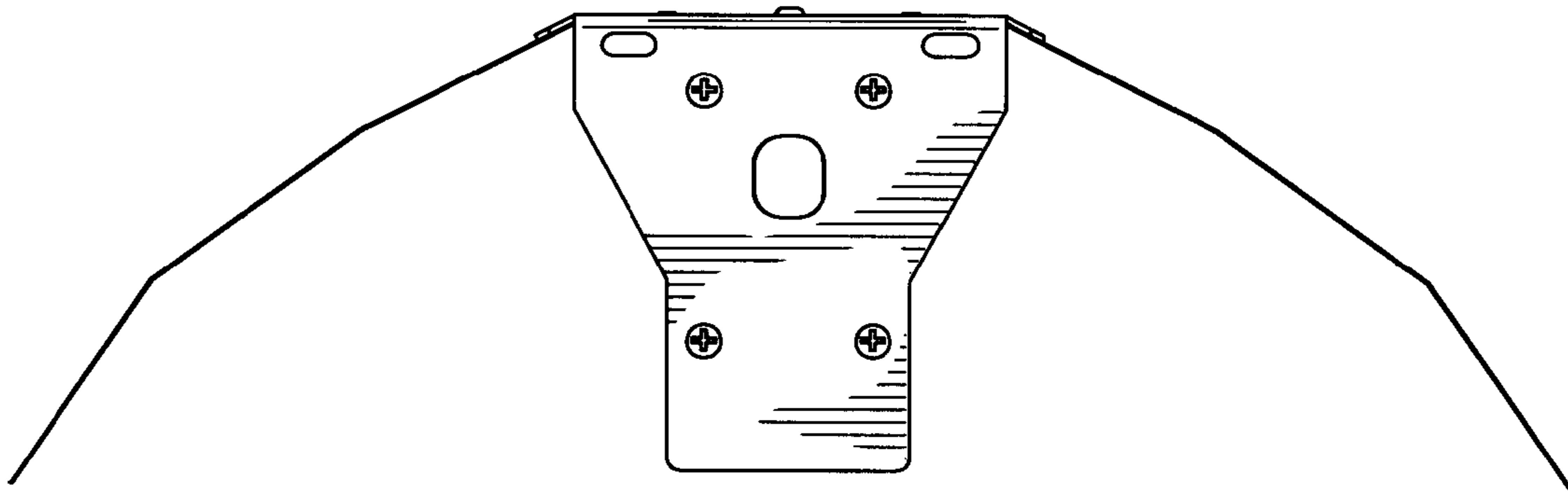


FIG. 2

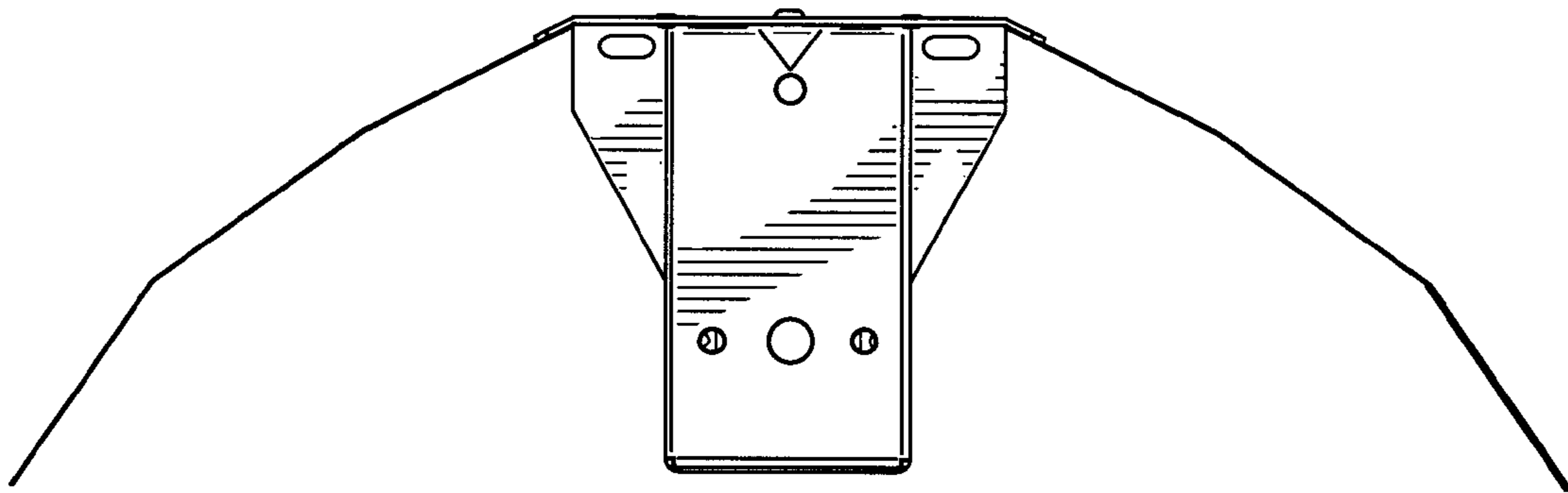


FIG. 3

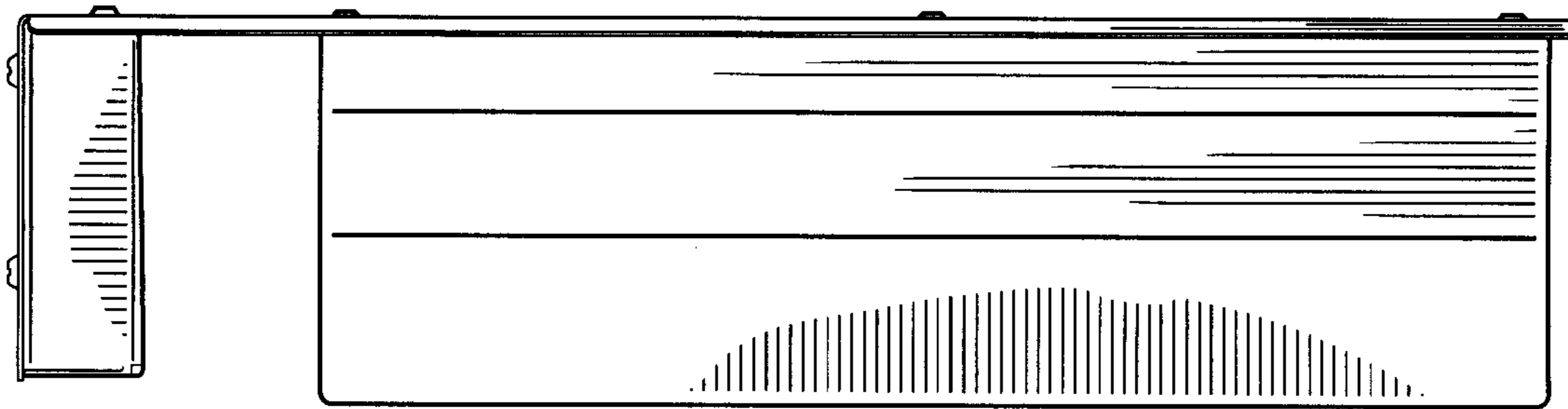


FIG. 4

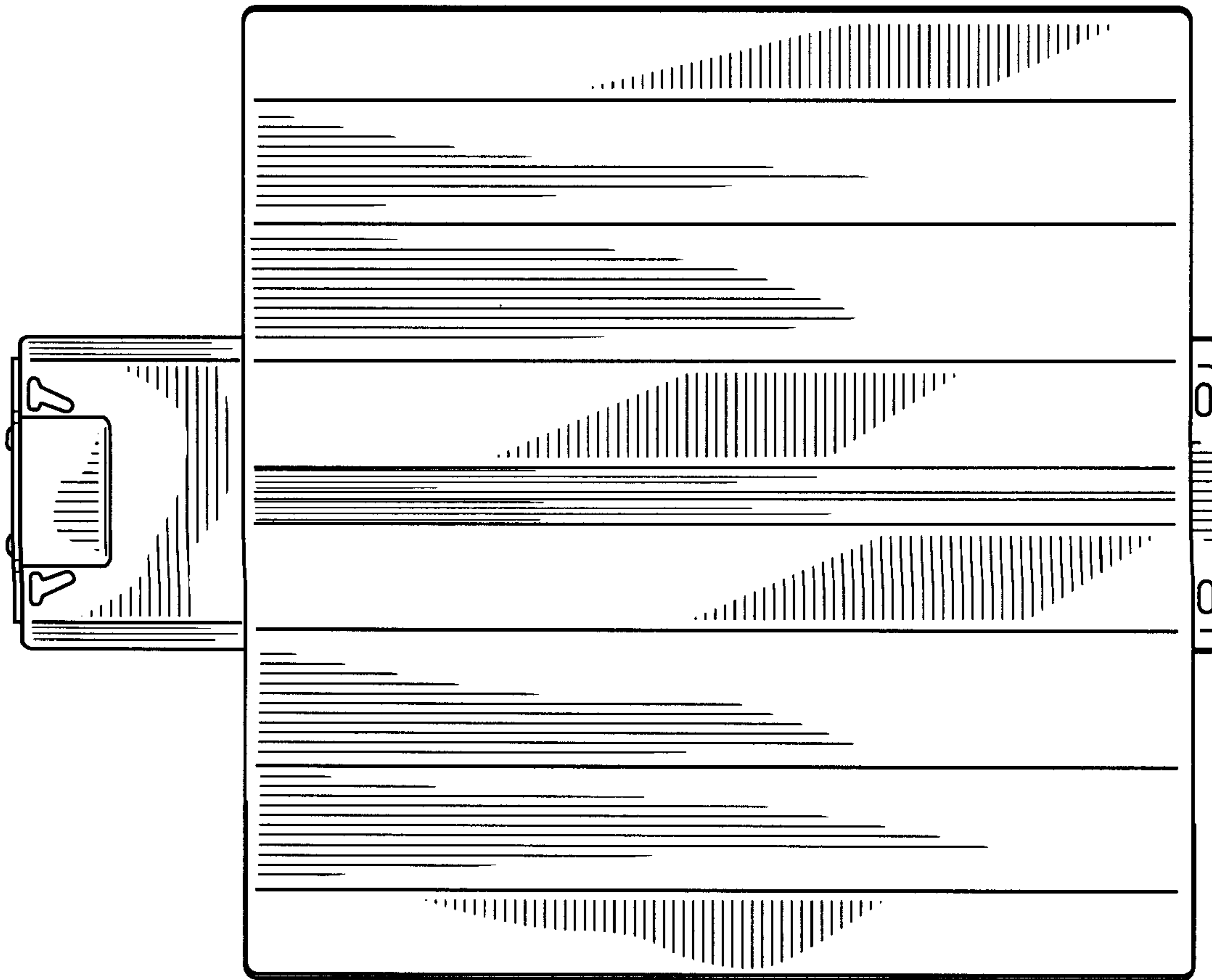


FIG. 5

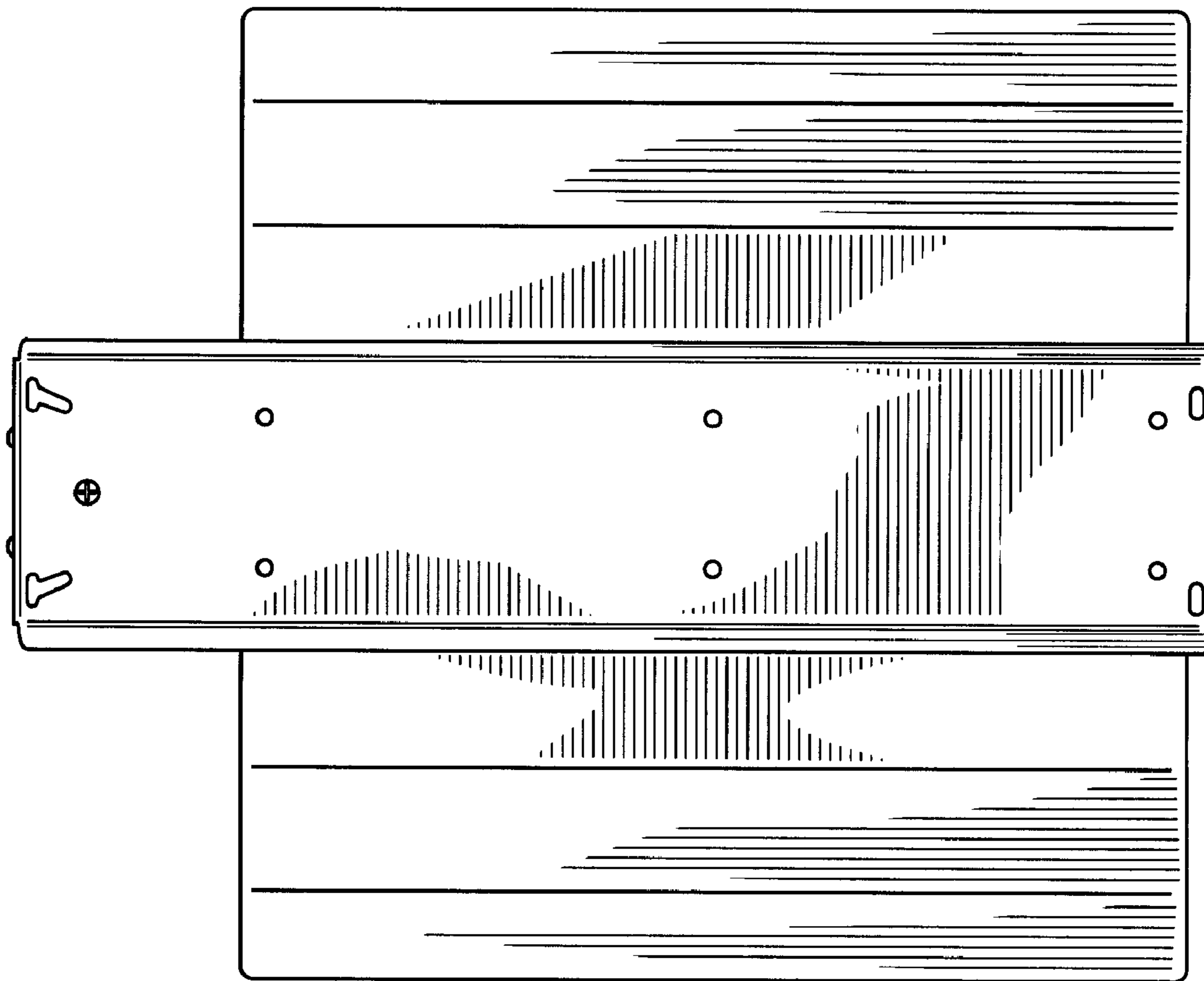


FIG. 6