

US00D544993S

(12) **United States Design Patent**
Mayfield, III et al.

(10) **Patent No.: US D544,993 S**
(45) **Date of Patent: ** Jun. 19, 2007**

(54) **LIGHT FIXTURE HOUSING**

D300,873 S * 4/1989 Thompson et al. D26/74

(75) Inventors: **John T. Mayfield, III**, Loganville, GA (US); **Kevin Leadford**, Evergreen, CO (US); **Stephen H. Lydecker**, Snellville, GA (US)

(Continued)

(73) Assignee: **Acuity Brands, Inc.**, Atlanta, GA (US)

OTHER PUBLICATIONS

Lithonia Lighting, an Acuity Brands Company, Product Selection Guide, 8th ed. p. 14-93, 112-115.

(**) Term: **14 Years**

(Continued)

(21) Appl. No.: **29/215,570**

Primary Examiner—Freda S. Nunn
Assistant Examiner—Kevin K. Rudzinski
(74) *Attorney, Agent, or Firm*—Needle & Rosenberg, P.C.

(22) Filed: **Oct. 21, 2004**

(57) **CLAIM**

(51) **LOC (8) Cl.** **26-99**

The ornamental design for a light fixture housing, as shown and described.

(52) **U.S. Cl.** **D26/118**

(58) **Field of Classification Search** D26/118,
D26/76, 75, 152, 138, 77, 121, 74, 142, 128,
D26/113, 119, 120, 122; 362/223, 263, 225,
362/339, 404, 219, 217, 364, 291, 328, 257,
362/260, 317, 326, 330, 341

DESCRIPTION

See application file for complete search history.

FIG. 1 is a perspective view of a light fixture housing of the present invention;

FIG. 2 is a bottom plan view of the light fixture housing of FIG. 1;

FIG. 3 is a cross-sectional view of the light fixture housing of FIG. 1 taken along line 3-3 in FIG. 2;

FIG. 4 is a cross-sectional view of the light fixture housing of FIG. 1 taken along line 4-4 in FIG. 2;

FIG. 5 is a perspective view of a second embodiment of the light fixture housing of the present invention;

FIG. 6 is a bottom plan view of the light fixture housing of FIG. 5;

FIG. 7 is a cross-sectional view of the light fixture housing of FIG. 5 taken along line 7-7 in FIG. 6; and,

FIG. 8 is a cross-sectional view of the light fixture housing of FIG. 5 taken along line 8-8 in FIG. 6.

The broken lines are shown for illustrative purposes only and form no part of the claimed design.

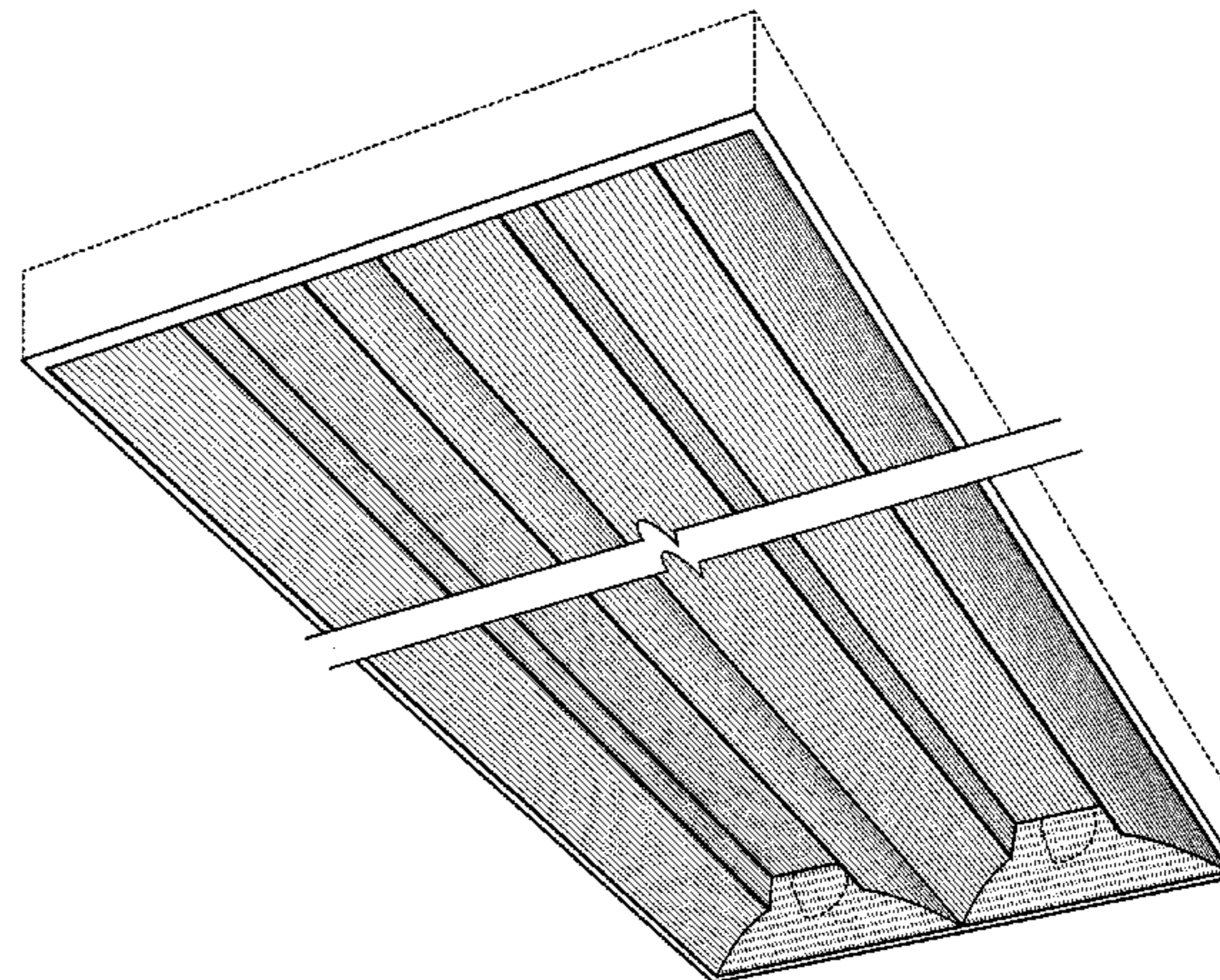
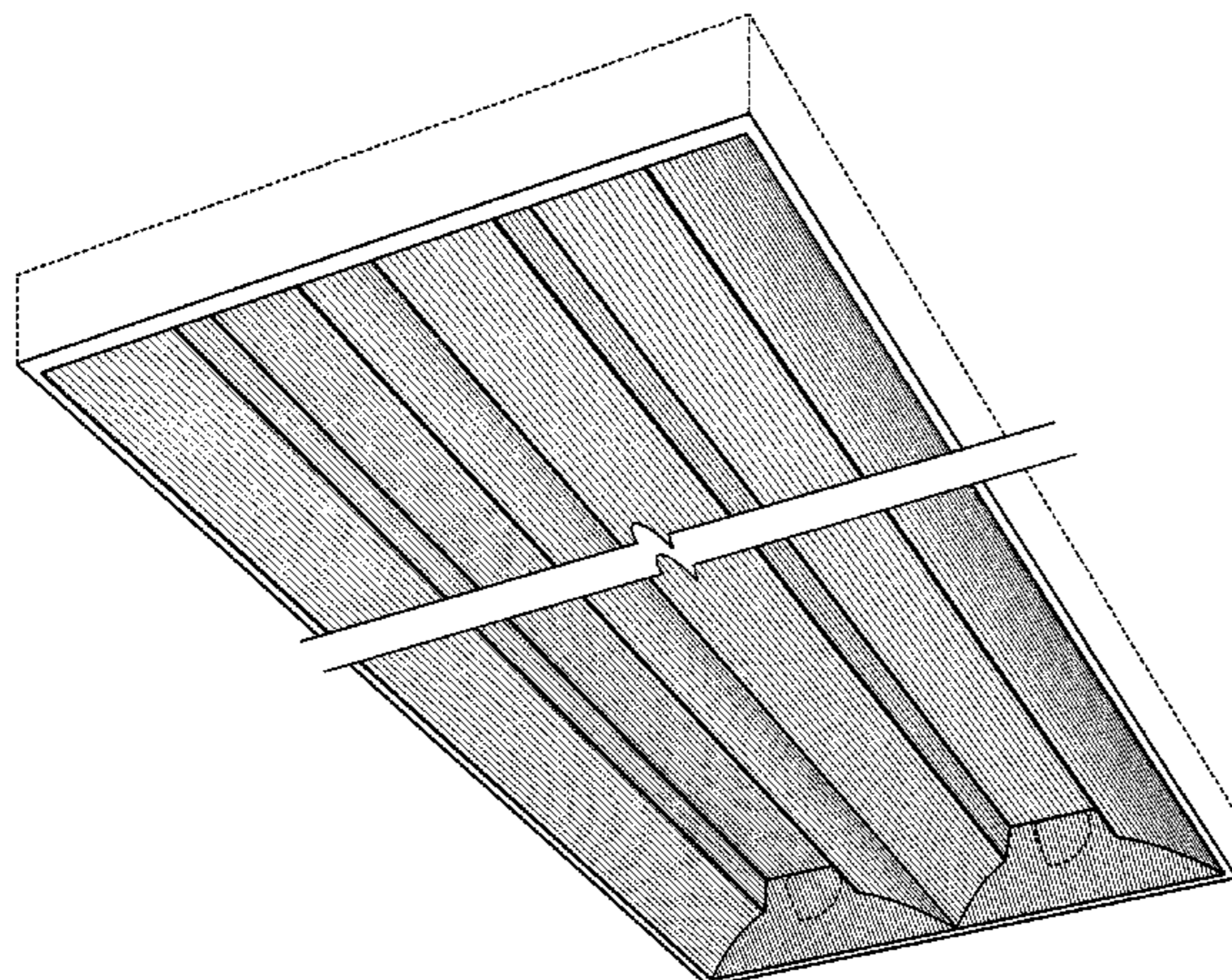
The top of the light fixture is unornamented and forms no part of the design.

(56) **References Cited**

U.S. PATENT DOCUMENTS

| | | | | |
|---------------|---------|-----------------|-------|-----------|
| D85,382 S * | 10/1931 | Guth | | D26/24 |
| 1,888,103 A * | 11/1932 | Guth | | 362/348 |
| D125,001 S * | 2/1941 | Klingsick | | D26/78 |
| D132,296 S * | 5/1942 | Hoeveler | | D26/122 |
| D132,786 S * | 6/1942 | Netting | | D26/78 |
| 2,323,073 A * | 6/1943 | Netting | | 362/225 |
| 2,339,100 A * | 1/1944 | Netting | | 362/219 |
| D156,743 S * | 1/1950 | Kennedy | | D26/59 |
| 2,852,663 A | 9/1958 | Stuffer et al. | | 240/51.11 |
| 3,125,301 A * | 3/1964 | Stotter | | 362/217 |
| 3,265,887 A | 8/1966 | Wince | | |
| 3,270,194 A * | 8/1966 | Lee | | 362/218 |
| 3,838,268 A | 9/1974 | Fabbri | | 240/9 |
| 3,860,903 A * | 1/1975 | Van Steenhoven | | 362/279 |
| 4,499,529 A * | 2/1985 | Figueroa | | 362/283 |
| D284,110 S * | 6/1986 | Mullins | | D26/76 |
| 4,622,624 A * | 11/1986 | McCarthy et al. | | 362/217 |
| 4,698,734 A | 10/1987 | Ngai | | 362/225 |
| 4,799,136 A | 1/1989 | Molnar | | 362/300 |

1 Claim, 8 Drawing Sheets



US D544,993 S

U.S. PATENT DOCUMENTS

5,062,030 A * 10/1991 Figueroa 362/346
 5,192,129 A * 3/1993 Figueroa 362/346
 D348,950 S * 7/1994 Herst et al. D26/85
 D351,481 S * 10/1994 Cole, Jr. D26/76
 5,555,162 A * 9/1996 Shemitz 362/225
 5,570,947 A * 11/1996 Felland 362/148
 5,746,502 A 5/1998 Huang 362/223
 D397,819 S 9/1998 Thorton, Jr. D26/77
 D399,586 S * 10/1998 Ranieri et al. D26/74
 D407,473 S * 3/1999 Wimbock D23/328
 D411,641 S * 6/1999 Ranieri et al. D26/74
 D413,402 S * 8/1999 Ranieri et al. D26/74
 5,971,571 A 10/1999 Rose 362/346
 5,988,829 A 11/1999 Holder 362/217
 5,988,836 A 11/1999 Swarens 362/364
 6,102,550 A 8/2000 Edwards, Jr. 362/221
 D440,341 S 4/2001 Arumugasaamy D26/85
 6,238,065 B1 5/2001 Jones 362/339
 6,280,052 B1 8/2001 White 362/225
 6,419,375 B1 7/2002 Leadford et al. 362/297
 D461,267 S 8/2002 Arumugasaamy D26/85
 6,454,442 B1 9/2002 Changaris 362/297
 6,485,166 B1 11/2002 Fouke 362/340
 D467,676 S 12/2002 Packer et al. D26/72
 D467,677 S 12/2002 Ries et al. D26/88
 6,505,953 B1 1/2003 Dahlen 362/217
 6,505,959 B2 1/2003 Masaki et al. 362/339
 6,530,681 B2 3/2003 Sieczkowski 362/404
 6,537,649 B1 3/2003 Martin et al. 428/172
 D472,665 S 4/2003 Herst et al. D26/113
 D472,666 S 4/2003 Herst et al. D26/113
 D472,667 S 4/2003 Herst et al. D26/113
 D472,668 S 4/2003 Herst et al. D26/113
 D473,007 S 4/2003 Herst et al. D26/113
 D473,335 S 4/2003 Bohard et al. D26/113
 6,540,382 B1 4/2003 Simon 362/339
 D477,891 S 7/2003 Fritze et al. D26/74
 D480,168 S 9/2003 Herst et al. D26/77
 D480,172 S 9/2003 Herst et al. D26/121
 6,612,718 B1 9/2003 Packer et al. 362/267
 6,612,723 B2 9/2003 Futhey et al. 362/339

D480,500 S 10/2003 Herst et al. D26/121
 D480,501 S 10/2003 Herst et al. D26/121
 D480,502 S 10/2003 Herst et al. D26/121
 D480,503 S 10/2003 Herst et al. D26/121
 D480,530 S 10/2003 Herst et al. 121/77
 D480,830 S 10/2003 Sieczkowski D26/118
 D481,488 S 10/2003 Herst et al. D26/121
 D481,489 S 10/2003 Cline et al. D26/128
 6,637,912 B2 10/2003 Arumugasaamy et al. .. 362/327
 D481,820 S 11/2003 Watt D26/77
 6,652,118 B2 11/2003 Shemitz et al. 362/225
 D483,510 S 12/2003 Fritze et al. D26/75
 6,655,819 B2 12/2003 Loga et al. 362/263
 D485,932 S 1/2004 Crane D26/76
 D487,527 S 3/2004 Sieczkowski D26/76
 6,709,131 B1 3/2004 Herst et al. 362/223
 6,726,345 B2 4/2004 Arumugasaamy et al. .. 362/327
 D496,121 S * 9/2004 Santoro D26/74
 2002/0080615 A1 6/2002 Marshall et al. 362/333

OTHER PUBLICATIONS

Lithonia Lighting, an Acuity Brands Company, Direct/Indirect Lighting, pp. 1-15 (2002).
 Lithonia Lighting, an Acuity Brands Company, Avante Recessed Direct/Indirect Lighting, pp. 1-3 (1997).
 Lithonia Lighting, an Acuity Brands Company, Architectural Fluorescent Recessed Direct/Indirect Lighting, pp. 1-13 (1999).
 Genlyte/Thomas, Lightolier, Alter Soft Lights, pp. 1-67 (2003).
 Cooper Lighting, Metalux, p. 1-8 (1999).
 Columbia Lighting, Stratus, pp. 1-9, (1998).
 Focal Point, Luna, pp. 1-5 (1997).
 Lithonia Lighting, an Acuity Brands Company, Product Selection Guide, 8th Edition, pp. 1-620 (2003).
 Peerless-Lighting, Parallels, pp. 1-2 (2005).
 Lithonia Lighting, an Acuity Brands Company, Avante, Recessed Direct/Indirect Lighting, pp. 1-4 (1996).
 Lithonia Lighting, an Acuity Brands Company, Avante, Direct/Indirect General Lighting System, pp. 1-2 (1995).
 Lightolier, CFI Fluorescent, Alter Soft Lights, 1-8 (1996).
 Alter, pp. 1-6 (1994).

* cited by examiner

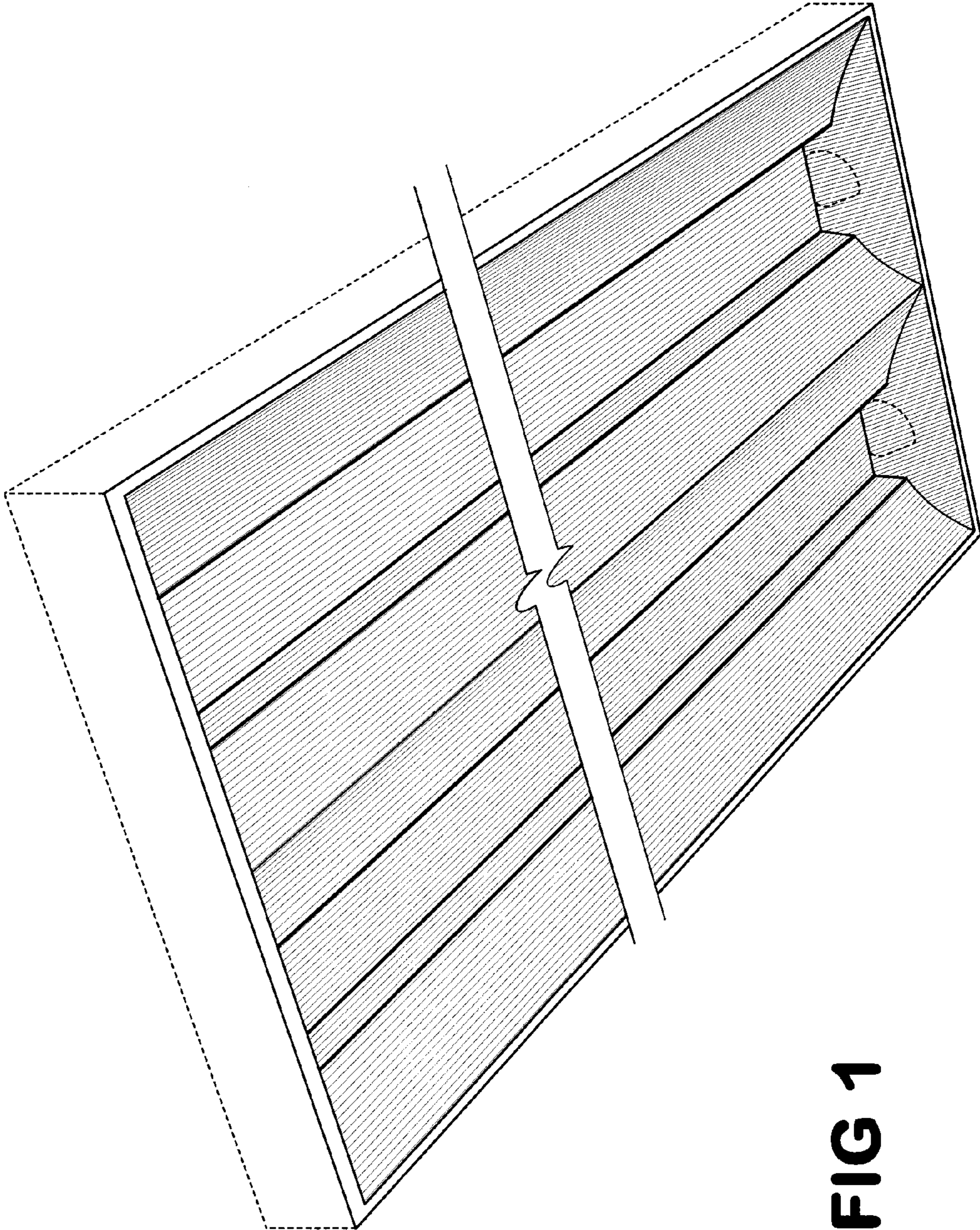


FIG 1

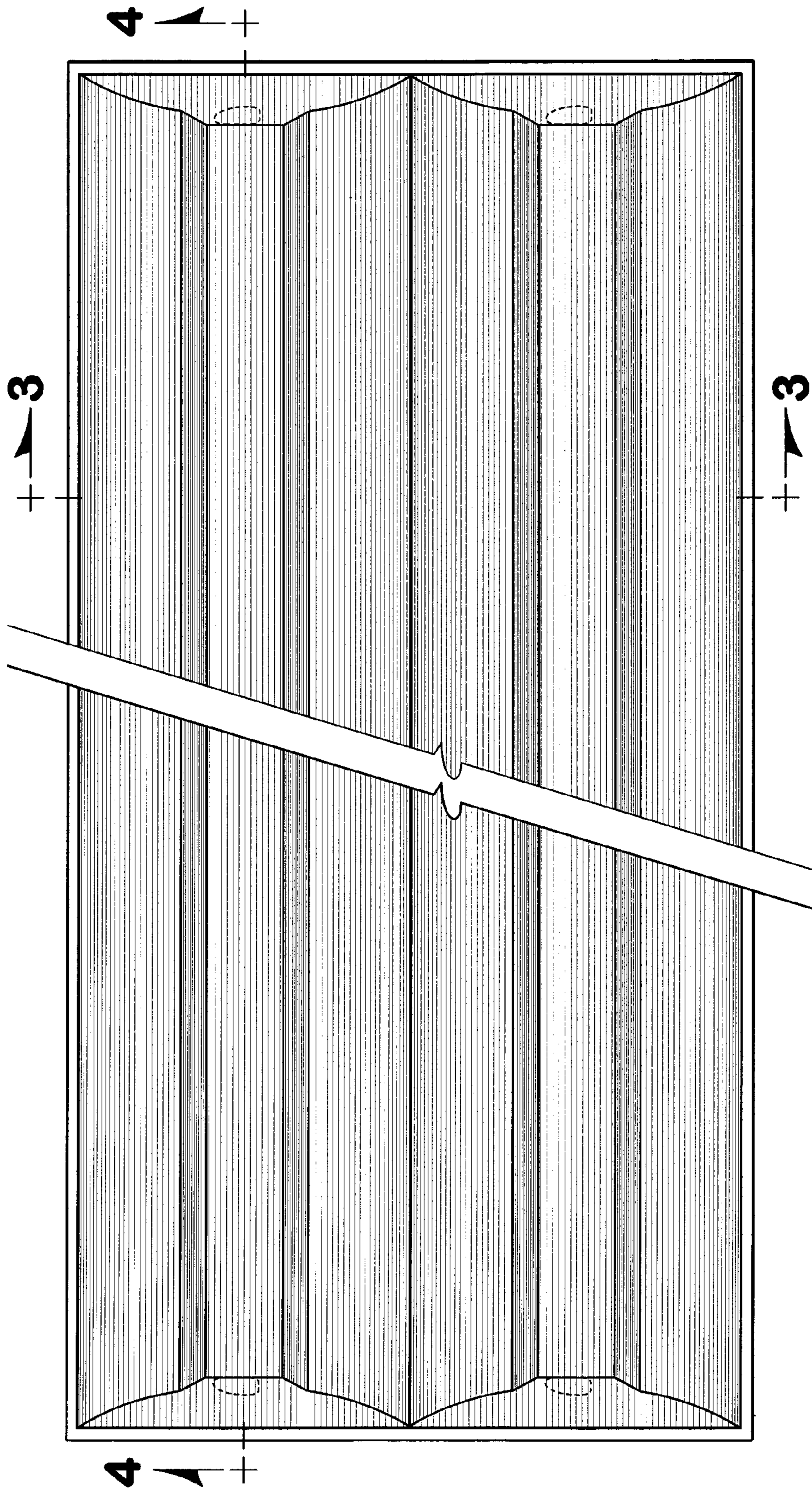


FIG 2

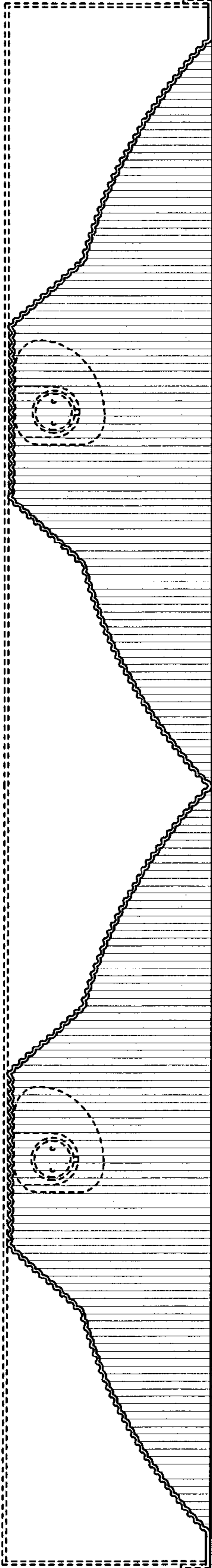


FIG 3

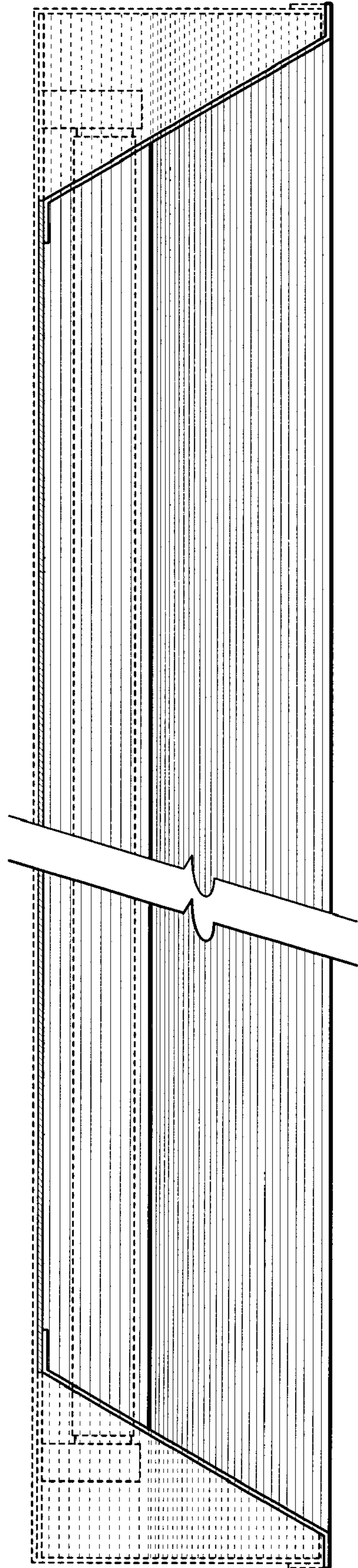


FIG 4

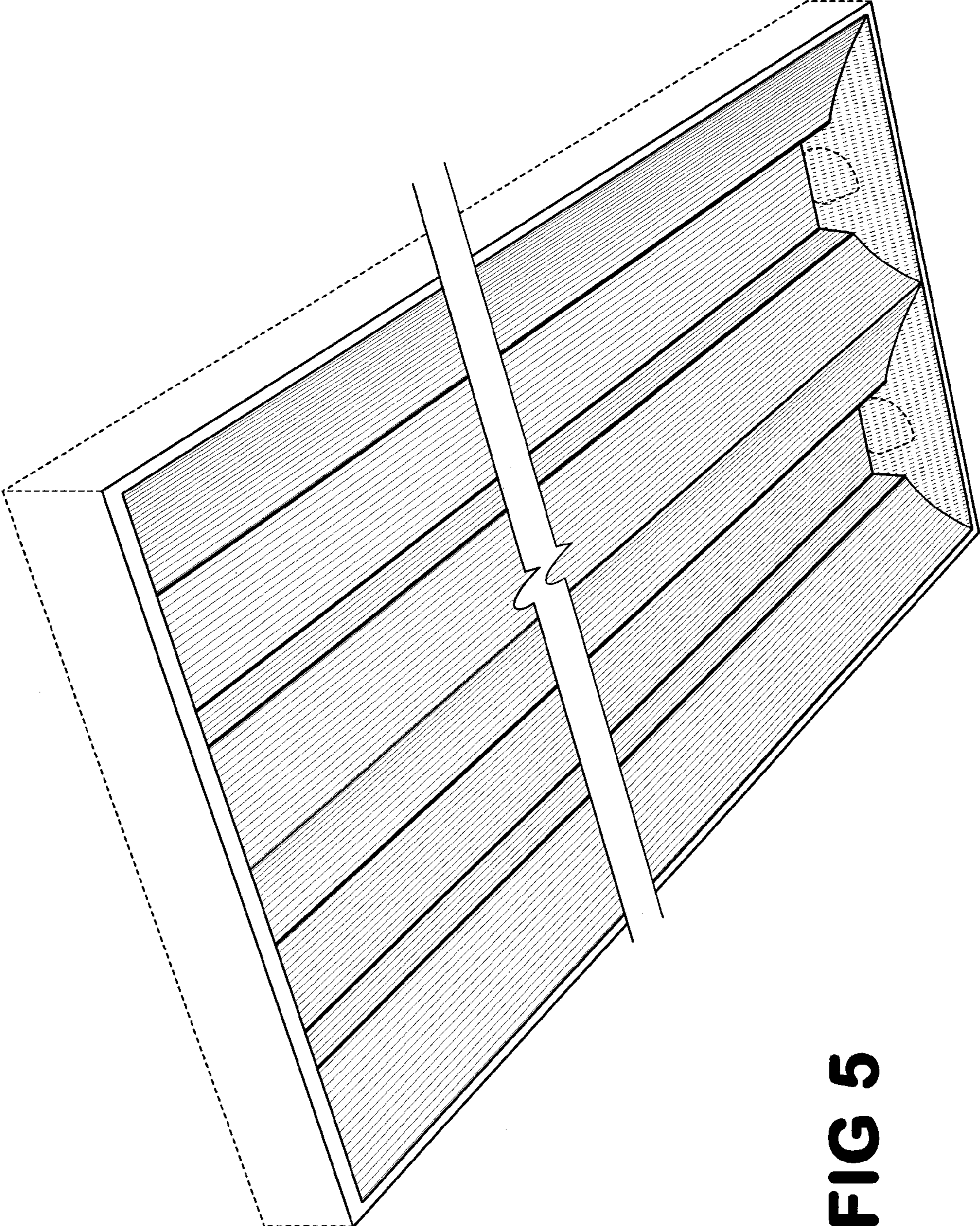


FIG 5

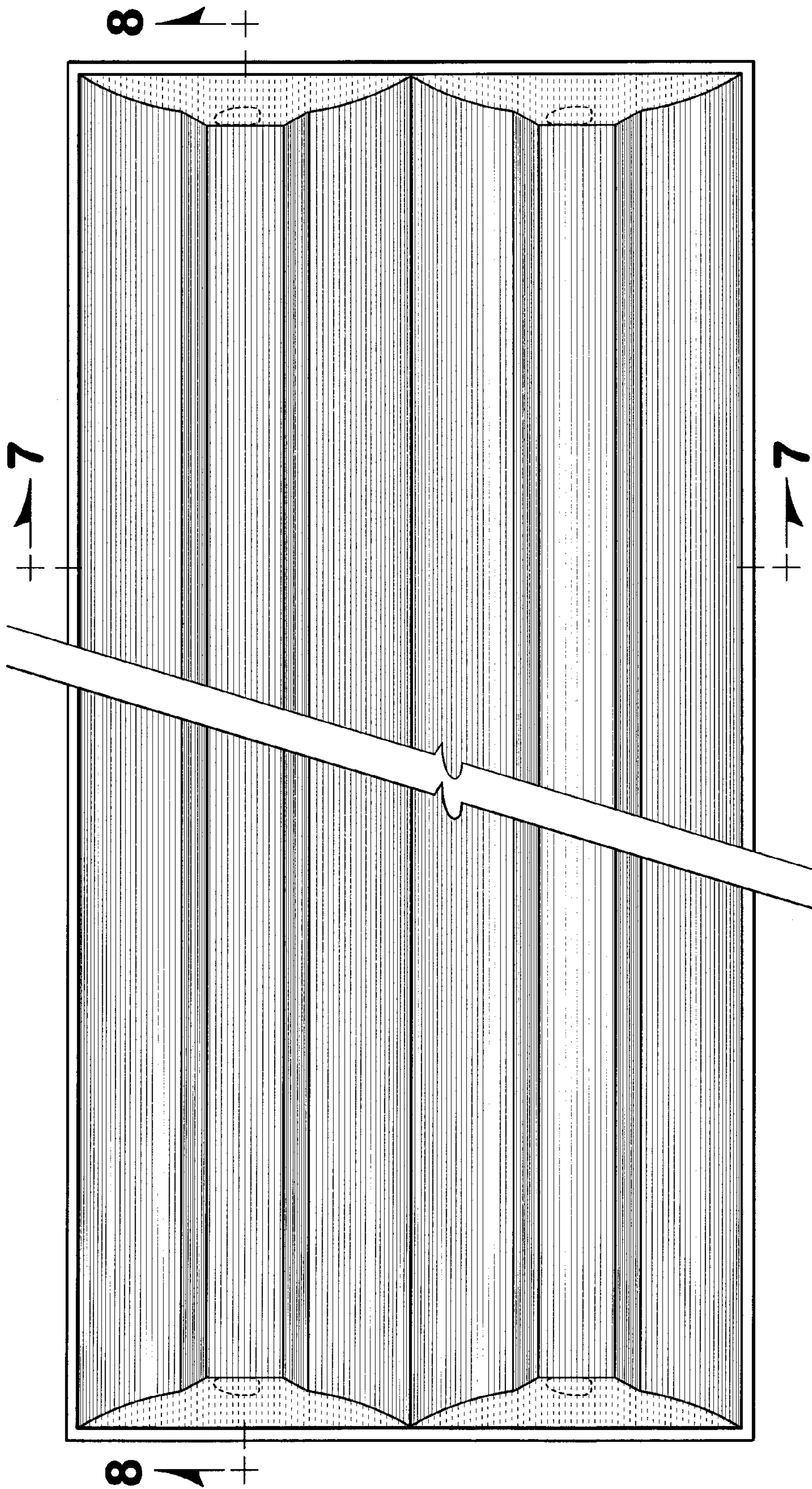


FIG 6

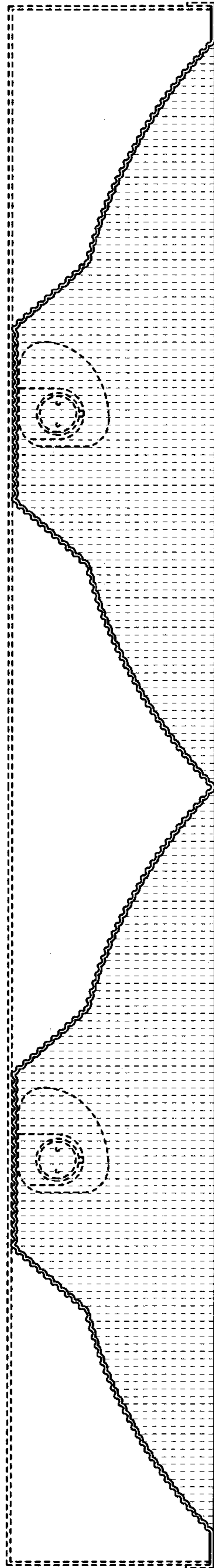


FIG 7

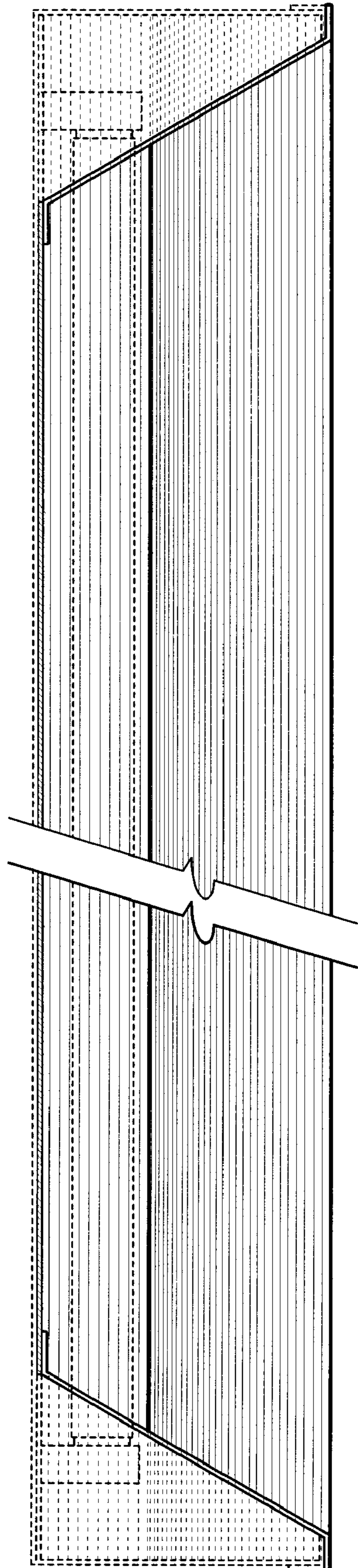


FIG 8