



US00D544992S

(12) **United States Design Patent**  
**Mayfield, III et al.**

(10) **Patent No.:** **US D544,992 S**  
(45) **Date of Patent:** **\*\* Jun. 19, 2007**

(54) **LIGHT FIXTURE**

(75) Inventors: **John T. Mayfield, III**, Loganville, GA (US); **Carl T. Gould**, Boulder, CO (US); **Kevin Leadford**, Evergreen, CO (US); **Stephen H. Lydecker**, Snellville, GA (US)

(73) Assignee: **Acuity Brands, Inc.**, Atlanta, GA (US)

(\*\*) Term: **14 Years**

(21) Appl. No.: **29/215,568**

(22) Filed: **Oct. 21, 2004**

(51) **LOC (8) Cl.** ..... **26-99**

(52) **U.S. Cl.** ..... **D26/118**

(58) **Field of Classification Search** ..... D26/118, D26/76, 75, 152, 138, 77, 121, 74, 142, 128, D26/113, 119, 120, 122; 362/223, 263, 225, 362/339, 404, 219, 217, 364, 291, 328, 257, 362/260, 317, 326, 330, 341

See application file for complete search history.

(56) **References Cited**

**U.S. PATENT DOCUMENTS**

D85,382 S *	10/1931	Guth	.....	D26/24
1,888,103 A *	11/1932	Guth	.....	362/348
D125,001 S *	2/1941	Klingsick	.....	D26/78
D132,296 S *	5/1942	Hoeveler	.....	D26/122
D132,786 S *	6/1942	Netting	.....	D26/78
2,323,073 A *	6/1943	Netting	.....	362/225
2,339,100 A *	1/1944	Netting	.....	362/219
D156,743 S *	1/1950	Kennedy	.....	D26/59
2,852,663 A	9/1958	Stuffer et al.	.....	240/51.11
3,125,301 A *	3/1964	Stotter	.....	362/217
3,265,887 A	8/1966	Wince		
3,270,194 A *	8/1966	Lee	.....	362/218
3,838,268 A	9/1974	Fabbri	.....	240/9
3,860,903 A *	1/1975	Van Steenhoven	.....	362/279
4,499,529 A *	2/1985	Figueroa	.....	362/283
D284,110 S *	6/1986	Mullins	.....	D26/76
4,622,624 A *	11/1986	McCarthy et al.	.....	362/217
4,698,734 A	10/1987	Ngai	.....	362/225

4,799,136 A	1/1989	Molnar	.....	362/300
D300,873 S *	4/1989	Thompson et al.	.....	D26/74
5,062,030 A *	10/1991	Figueroa	.....	362/346
5,192,129 A *	3/1993	Figueroa	.....	362/346
D348,950 S *	7/1994	Herst et al.	.....	D26/85
D351,481 S *	10/1994	Cole, Jr.	.....	D26/76
5,555,162 A *	9/1996	Shemitz	.....	362/225
5,570,947 A *	11/1996	Felland	.....	362/148
5,746,502 A	5/1998	Huang	.....	362/223
D397,819 S	9/1998	Thorton, Jr.	.....	D26/77
D399,586 S *	10/1998	Ranieri et al.	.....	D26/74
D407,473 S *	3/1999	Wimbock	.....	D23/328
D411,641 S *	6/1999	Ranieri et al.	.....	D26/74
D413,402 S *	8/1999	Ranieri et al.	.....	D26/74
5,971,571 A	10/1999	Rose	.....	362/346

(Continued)

**OTHER PUBLICATIONS**

Peerless-Lighting, Parallels, pp. 1-2 (2005).

(Continued)

*Primary Examiner*—Freda S. Nunn

*Assistant Examiner*—Kevin K. Rudzinski

(74) *Attorney, Agent, or Firm*—Needle & Rosenberg, P.C.

(57) **CLAIM**

The ornamental design for a light fixture, as shown and described.

**DESCRIPTION**

FIG. 1 is a perspective view of a light fixture of the present invention;

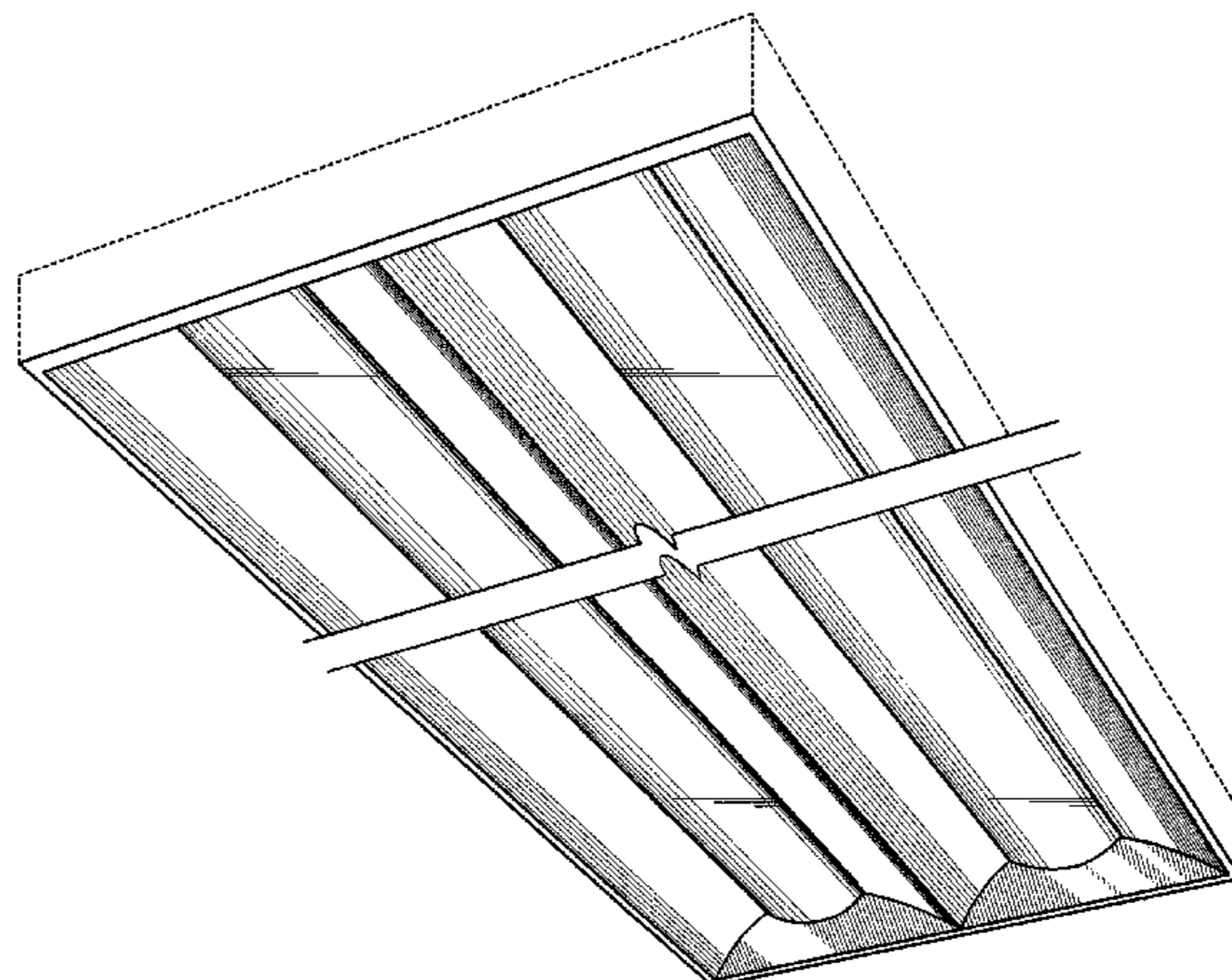
FIG. 2 is a bottom plan view of the light fixture of FIG. 1;

FIG. 3 is a cross-sectional view of the light fixture of FIG. 1 taken along line 3-3 in FIG. 2; and,

FIG. 4 is a cross-sectional view of the light fixture of FIG. 1 taken along line 4-4 in FIG. 2.

The broken lines are shown for illustrative purposes only and form no part of the claimed design. The top of the light fixture is unornamented and forms no part of the design.

**1 Claim, 4 Drawing Sheets**



U.S. PATENT DOCUMENTS

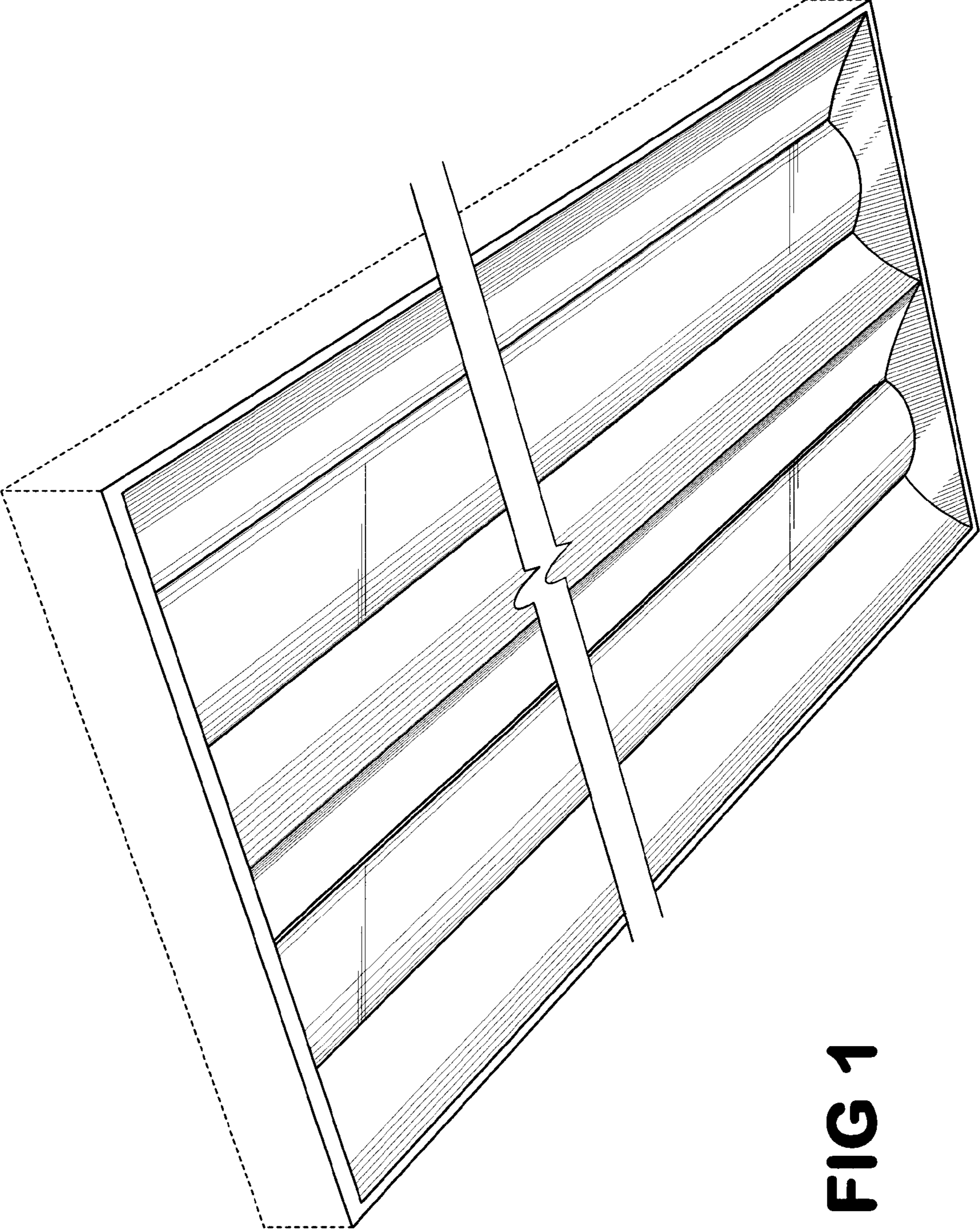
5,988,829 A 11/1999 Holder ..... 362/217  
 5,988,836 A 11/1999 Swarens ..... 362/364  
 6,102,550 A 8/2000 Edwards, Jr. .... 362/221  
 D440,341 S 4/2001 Arumugasaamy ..... D26/85  
 6,238,065 B1 5/2001 Jones ..... 362/339  
 6,280,052 B1 8/2001 White ..... 362/225  
 6,419,375 B1 7/2002 Leadford et al. .... 362/297  
 D461,267 S 8/2002 Arumugasaamy ..... D26/85  
 6,454,442 B1 9/2002 Changaris ..... 362/297  
 6,485,166 B1 11/2002 Fouke ..... 362/340  
 D467,676 S 12/2002 Packer et al. .... D26/72  
 D467,677 S 12/2002 Ries et al. .... D26/88  
 6,505,953 B1 1/2003 Dahlen ..... 362/217  
 6,505,959 B2 1/2003 Masaki et al. .... 362/339  
 6,530,681 B2 3/2003 Sieczkowski ..... 362/404  
 6,537,649 B1 3/2003 Martin et al. .... 428/172  
 D472,665 S 4/2003 Herst et al. .... D26/113  
 D472,666 S 4/2003 Herst et al. .... D26/113  
 D472,667 S 4/2003 Herst et al. .... D26/113  
 D472,668 S 4/2003 Herst et al. .... D26/113  
 D473,007 S 4/2003 Herst et al. .... D26/113  
 D473,335 S 4/2003 Bohard et al. .... D26/113  
 6,540,382 B1 4/2003 Simon ..... 362/339  
 D477,891 S 7/2003 Fritze et al. .... D26/74  
 D480,168 S 9/2003 Herst et al. .... D26/77  
 D480,172 S 9/2003 Herst et al. .... D26/121  
 6,612,718 B1 9/2003 Packer et al. .... 362/267  
 6,612,723 B2 9/2003 Futhy et al. .... 362/339  
 D480,500 S 10/2003 Herst et al. .... D26/121  
 D480,501 S 10/2003 Herst et al. .... D26/121  
 D480,502 S 10/2003 Herst et al. .... D26/121  
 D480,503 S 10/2003 Herst et al. .... D26/121  
 D480,530 S 10/2003 Herst et al. .... 121/77  
 D480,830 S 10/2003 Sieczkowski ..... D26/118  
 D481,488 S 10/2003 Herst et al. .... D26/121

D481,489 S 10/2003 Cline et al. .... D26/128  
 6,637,912 B2 10/2003 Arumugasaamy et al. .. 362/327  
 D481,820 S 11/2003 Watt ..... D26/77  
 6,652,118 B2 11/2003 Shemitz et al. .... 362/225  
 D483,510 S 12/2003 Fritze et al. .... D26/75  
 6,655,819 B2 12/2003 Loga et al. .... 362/263  
 D485,932 S 1/2004 Crane ..... D26/76  
 D487,527 S 3/2004 Sieczkowski ..... D26/76  
 6,709,131 B1 3/2004 Herst et al. .... 362/223  
 6,726,345 B2 4/2004 Arumugasaamy et al. .. 362/327  
 D496,121 S \* 9/2004 Santoro ..... D26/74  
 2002/0080615 A1 6/2002 Marshall et al. .... 362/333

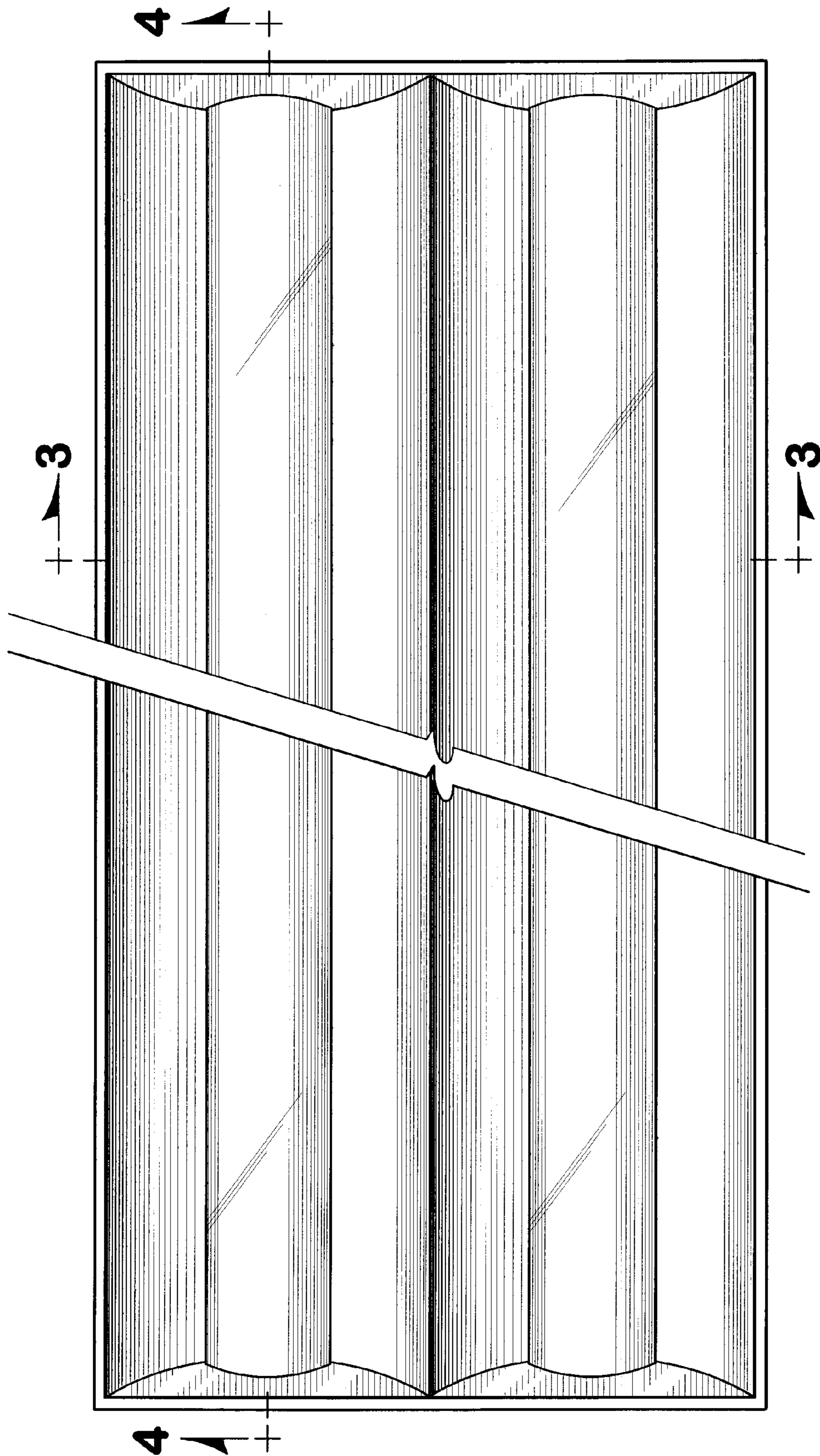
OTHER PUBLICATIONS

Lithonia Lighting, an Acuity Brands Company, Avante, Recessed Direct/Indirect Lighting, pp. 1-4 (1996).  
 Lithonia Lighting, an Acuity Brands Company, Avante, Direct/Indirect General Lighting System, pp. 1-2 (1995).  
 Lightolier, CFI Fluorescent, Alter Soft Lights, 1-8 (1996).  
 Alter, pp. 1-6 (1994).  
 Lithonia Lighting, an Acuity Brands Company, Product Selection Guide, 8<sup>th</sup> Edition, pp. 1-620 (2003).  
 Lithonia Lighting, an Acuity Brands Company, Avante Recessed Direct/Indirect Lighting, pp. 1-3 (1997).  
 Lithonia Lighting, an Acuity Brands Company, Architectural Fluorescent Recessed Direct/Indirect Lighting, pp. 1-13 (1999).  
 Genlyte/Thomas, Lightolier, Alter Soft Lights, pp. 1-67 (2003).  
 Cooper Lighting, Metalux, p. 1-8 (1999).  
 Columbia Lighting, Stratus, pp. 1-9, (1998).  
 Focal Point, Luna, pp. 1-5 (1997).  
 Lithonia Lighting, an Acuity Brands Company, Direct/Indirect Lighting, pp. 1-15 (2002).  
 Lithonia Lighting, an Acuity Brands Company, Product Selection Guide, 8<sup>th</sup> ed. p. 14-93, 112-115.

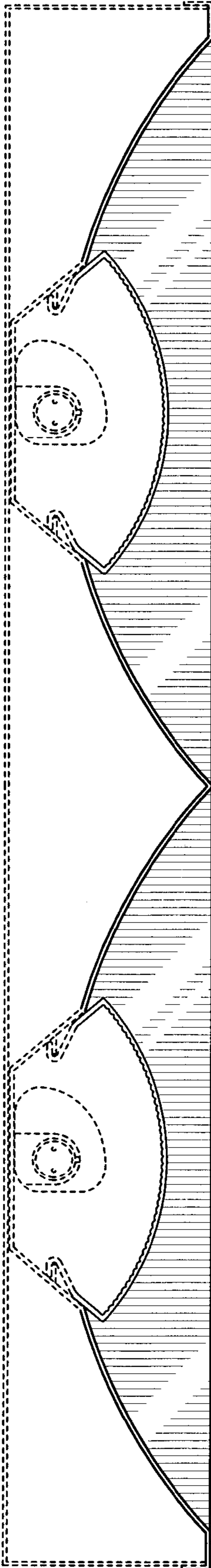
\* cited by examiner



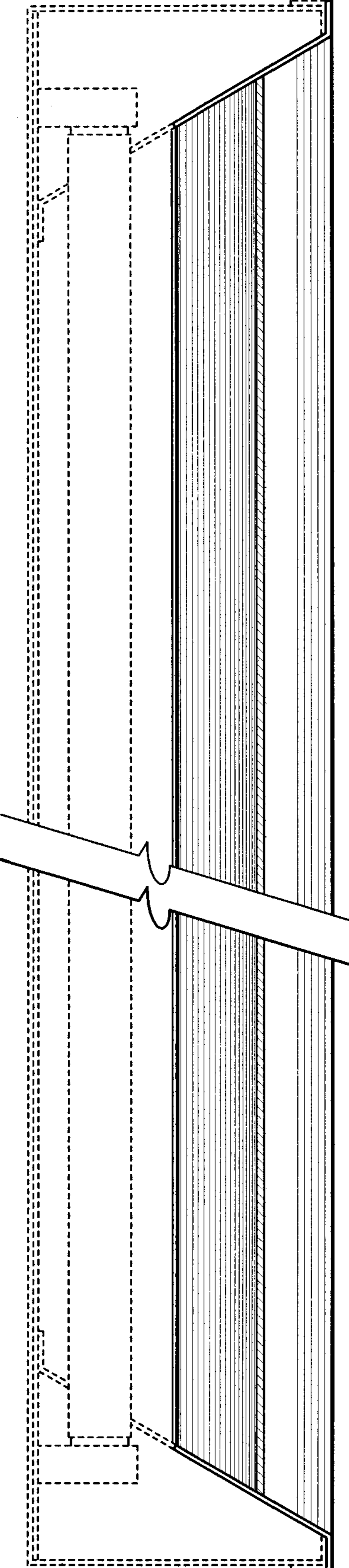
**FIG 1**



**FIG 2**



**FIG 3**



**FIG 4**