



US00D544987S

(12) **United States Design Patent**
Hargreaves

(10) **Patent No.:** **US D544,987 S**

(45) **Date of Patent:** **** Jun. 19, 2007**

(54) **HORTICULTURE LIGHT FIXTURE**

2002/0141195 A1 * 10/2002 Wardenburg 362/362

(75) Inventor: **Craig Hargreaves**, Vancouver, WA
(US)

OTHER PUBLICATIONS

New Wave T5 Output Fluorescent Grow Light 4ft 4 Lamp
from Bustan Urban Gardening Essentials. Found online at
bustan.ca.com on Dec. 16, 2006.*

(73) Assignee: **IP Holdings, LLC**, Vancouver, WA
(US)

* cited by examiner

(**) Term: **14 Years**

Primary Examiner—Clare E Heflin

(21) Appl. No.: **29/235,626**

(74) *Attorney, Agent, or Firm*—Robert J. Ireland

(22) Filed: **Aug. 5, 2005**

(57) **CLAIM**

(51) **LOC (8) Cl.** **26-03**

The ornamental design for a horticulture light fixture, as
shown and described.

(52) **U.S. Cl.** **D26/88**; D26/91

(58) **Field of Classification Search** D26/75–78,
D26/73, 118; 362/1, 2, 147, 217, 218, 219,
362/221–224, 294, 345, 373, 614, 805, 806,
362/807

DESCRIPTION

See application file for complete search history.

FIG. 1 is a perspective view of the embodiment of the fixture
for horticulture lighting, according to the new and unique
ornamental design;

(56) **References Cited**

U.S. PATENT DOCUMENTS

D123,768 S	*	12/1940	Scribner	D26/78
D213,391 S	*	2/1969	Bruno	D26/86
D259,738 S	*	6/1981	Boschetti	D24/210
D266,578 S	*	10/1982	Moshier	D23/328
D311,597 S	*	10/1990	Poot	D26/118
5,199,784 A	*	4/1993	Hempleman	362/294
5,440,470 A	*	8/1995	Ly	362/341
D400,289 S	*	10/1998	Wardenburg et al.	D26/118
6,024,468 A	*	2/2000	Kassay et al.	362/260
D428,516 S	*	7/2000	Reo et al.	D26/118
6,595,662 B2	*	7/2003	Wardenburg	362/362
6,908,212 B2	*	6/2005	Schultz	362/217

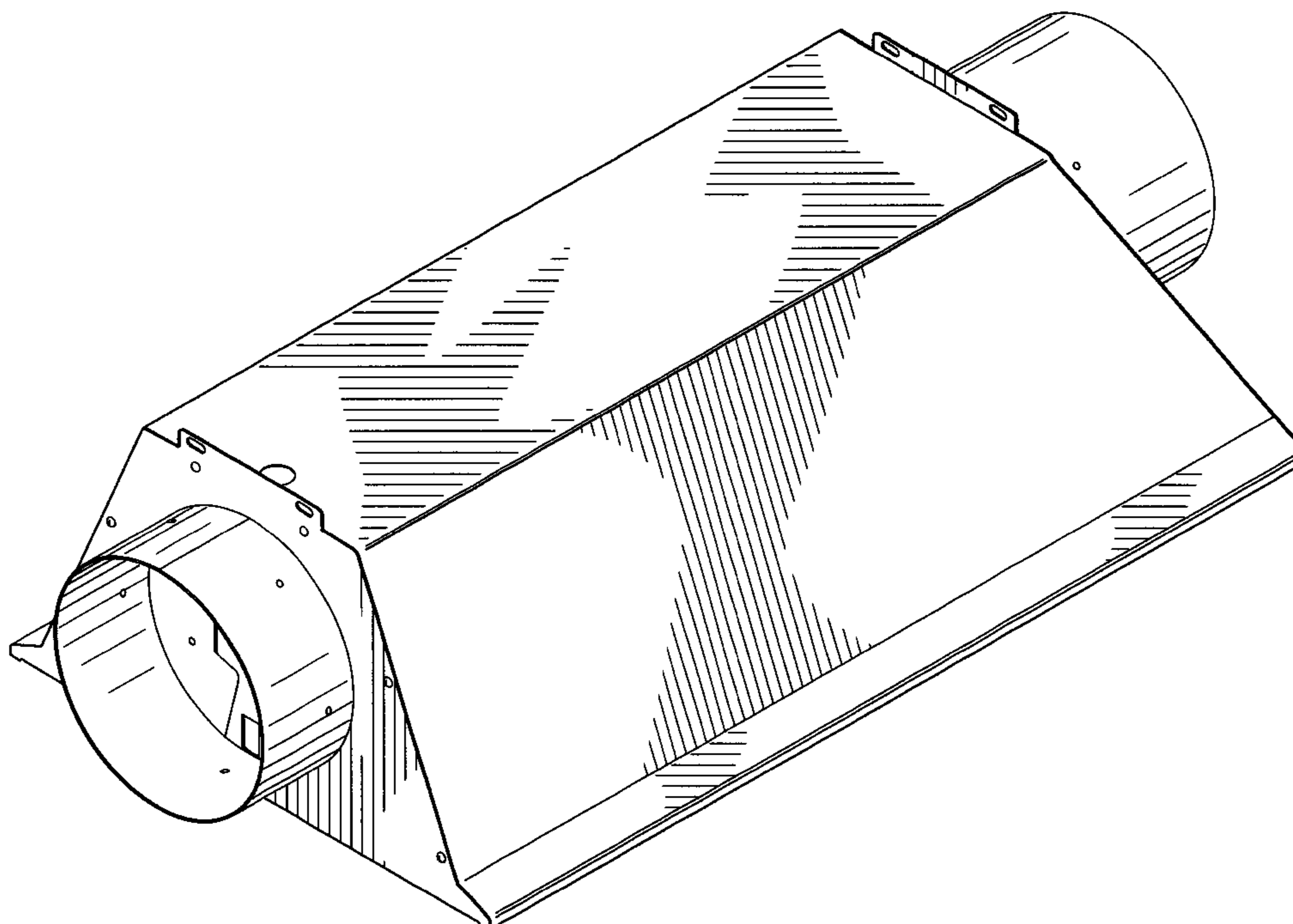
FIG. 2 is a left side view of the fixture for horticulture
lighting as shown in FIG. 1, further showing the new design;
FIG. 3 is a right side view of the fixture for horticulture
lighting as shown in FIG. 1 further showing the new design;
FIG. 4 is a back view of the fixture for horticulture lighting
as shown in FIG. 1;

FIG. 5 is a front view of the fixture for horticulture lighting
as shown in FIG. 1;

FIG. 6 is a bottom view of the fixture for horticulture
lighting as shown in FIG. 1 further showing the new design;
and,

FIG. 7 is a top view of the fixture for horticulture lighting as
shown in FIG. 1 further showing the new design.

1 Claim, 7 Drawing Sheets



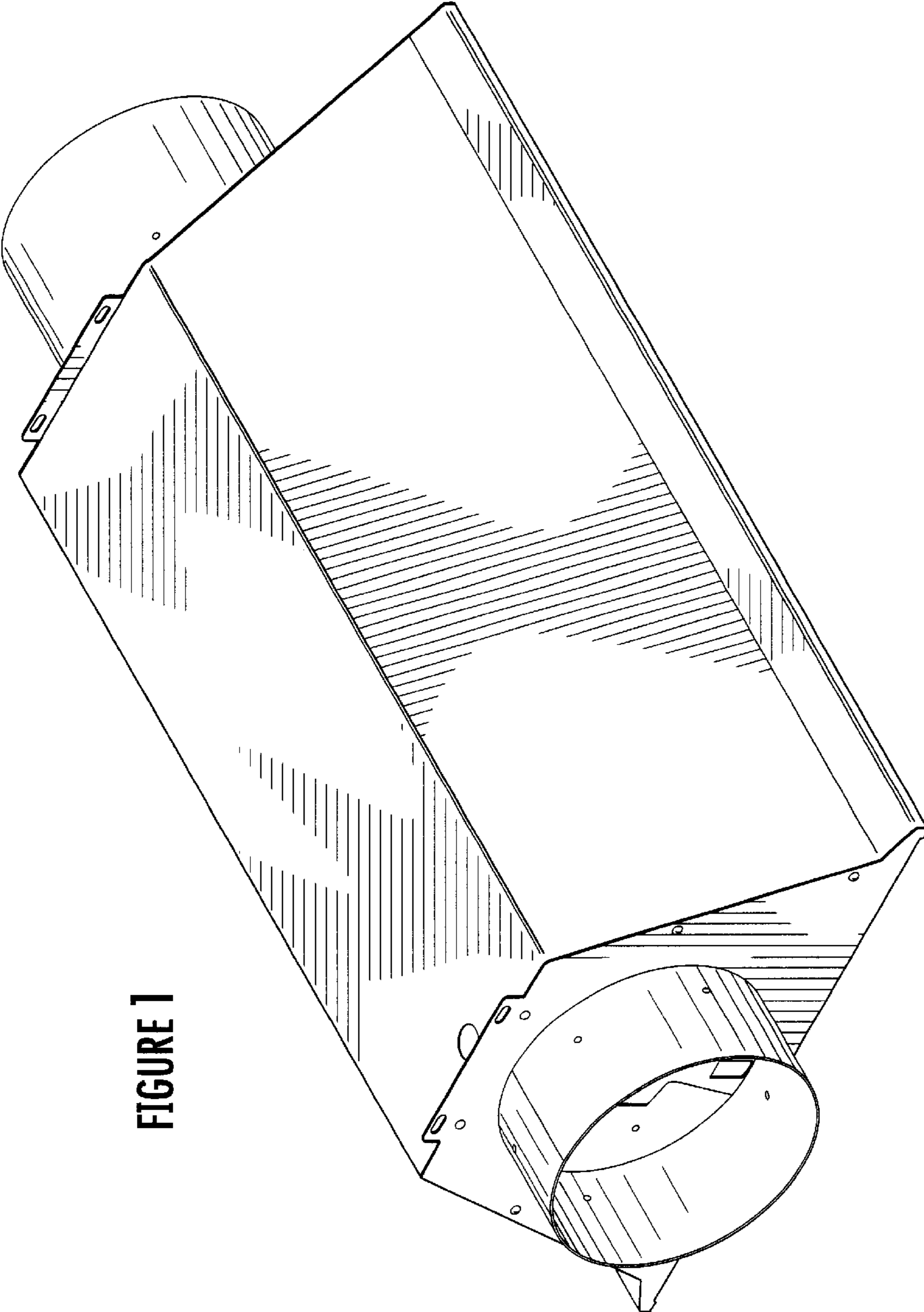


FIGURE 1

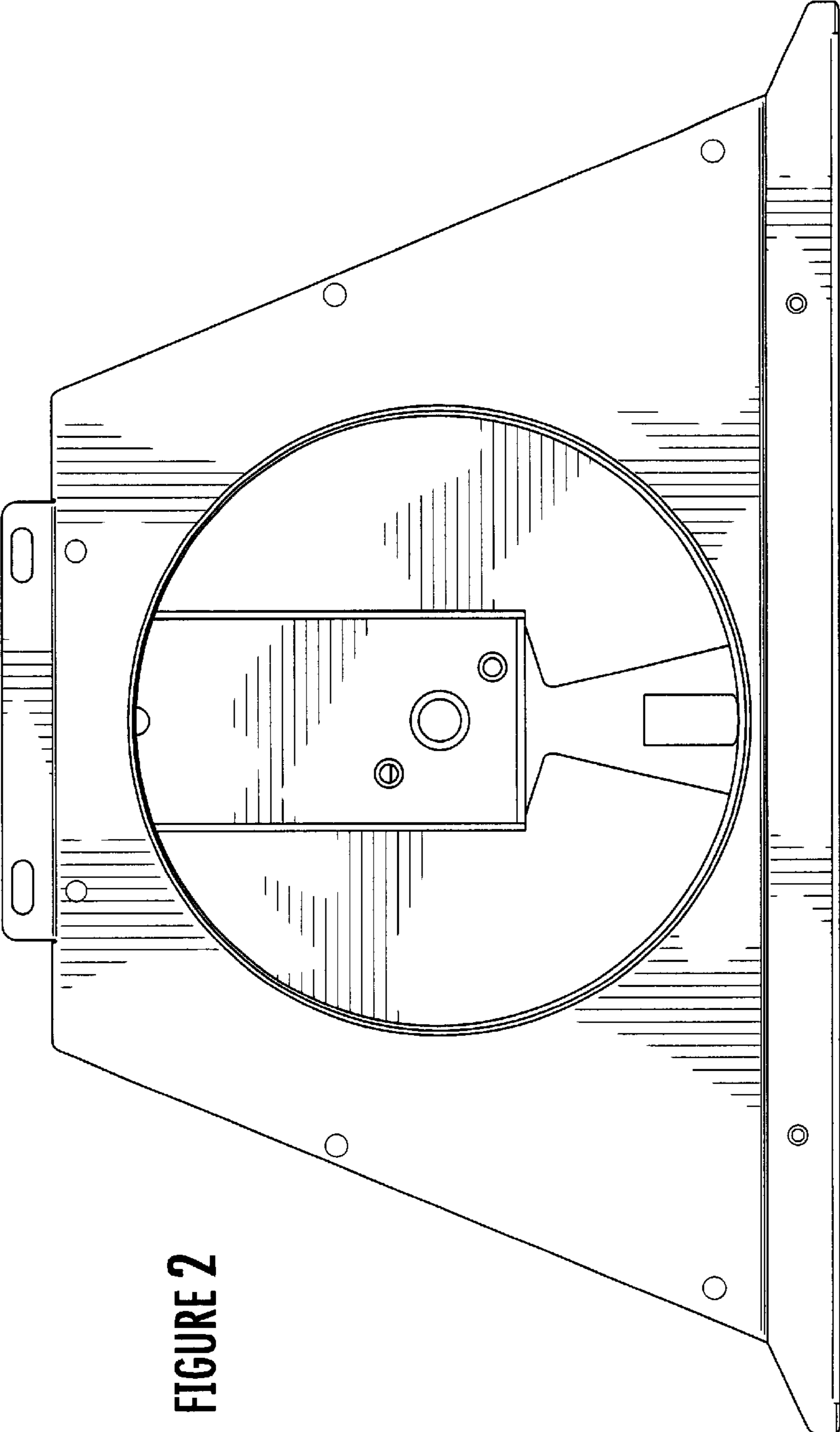


FIGURE 2

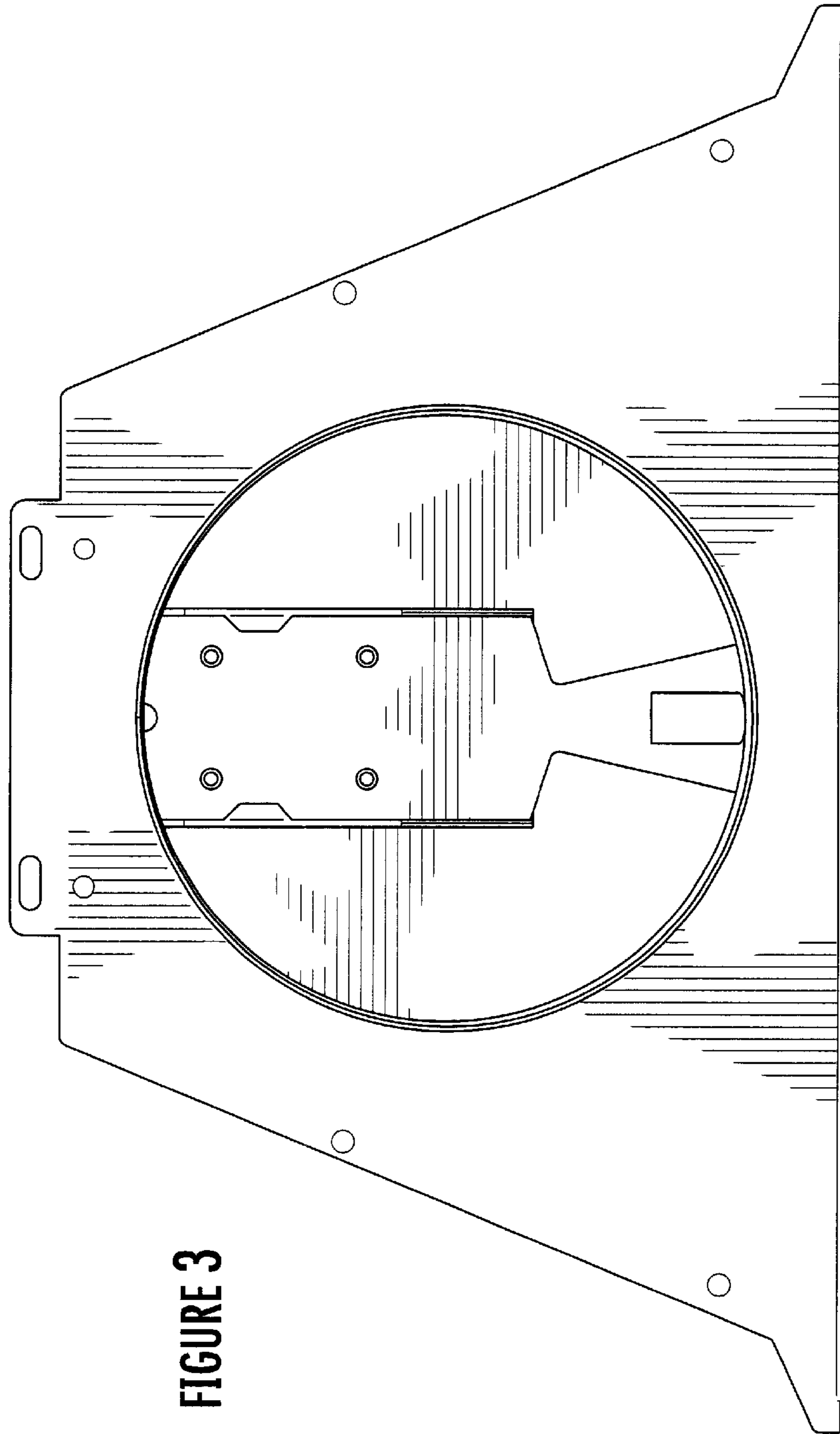


FIGURE 3

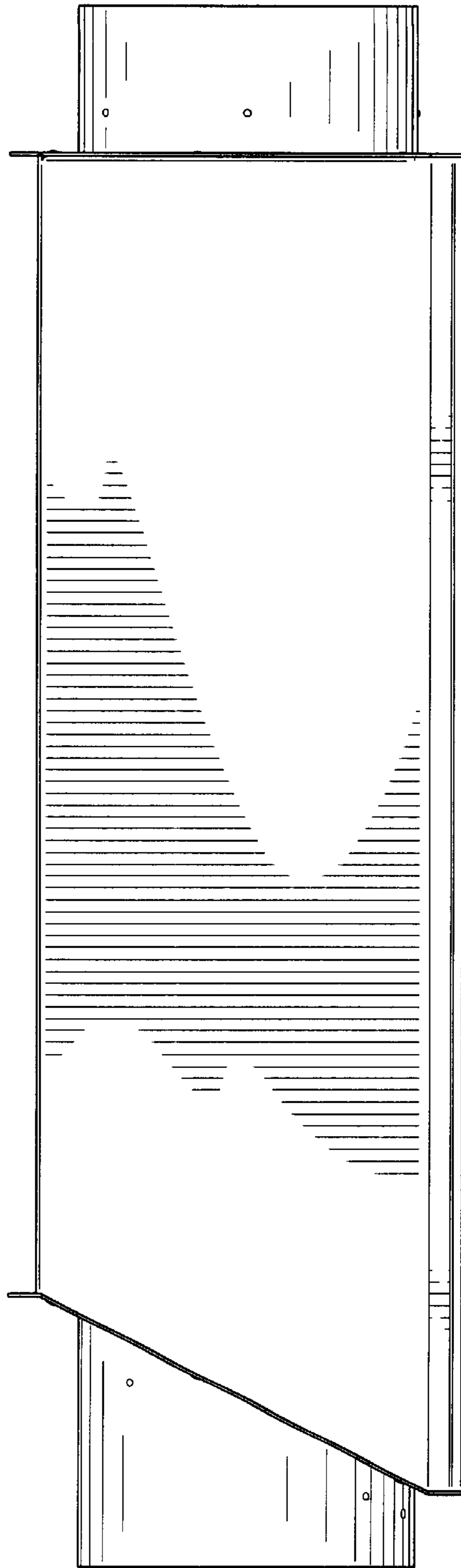


FIGURE 4

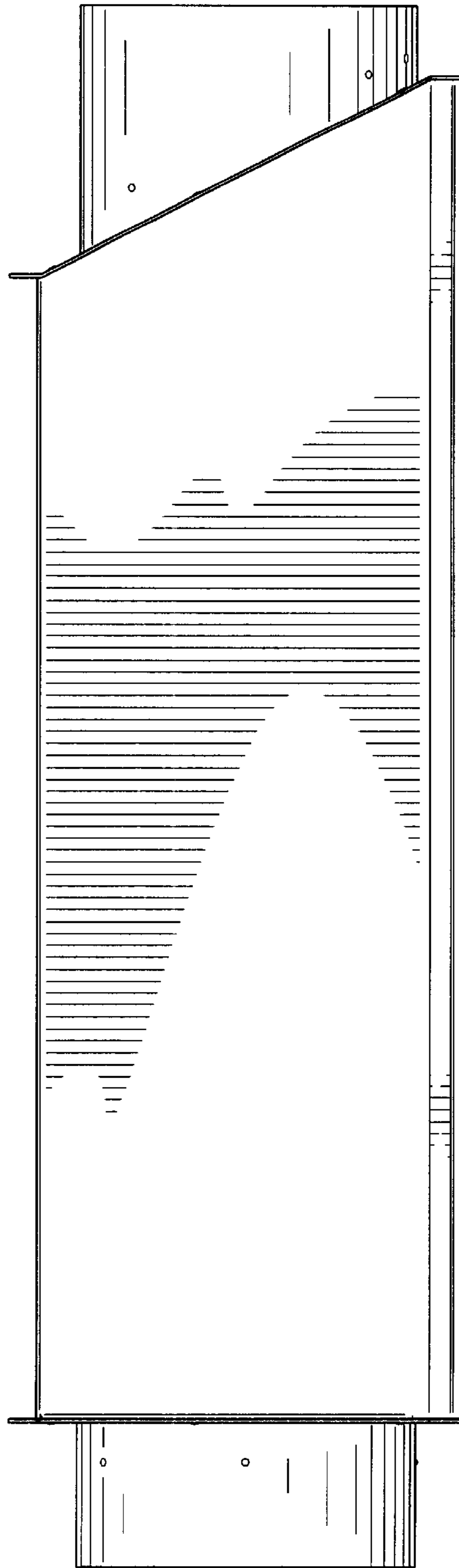


FIGURE 5

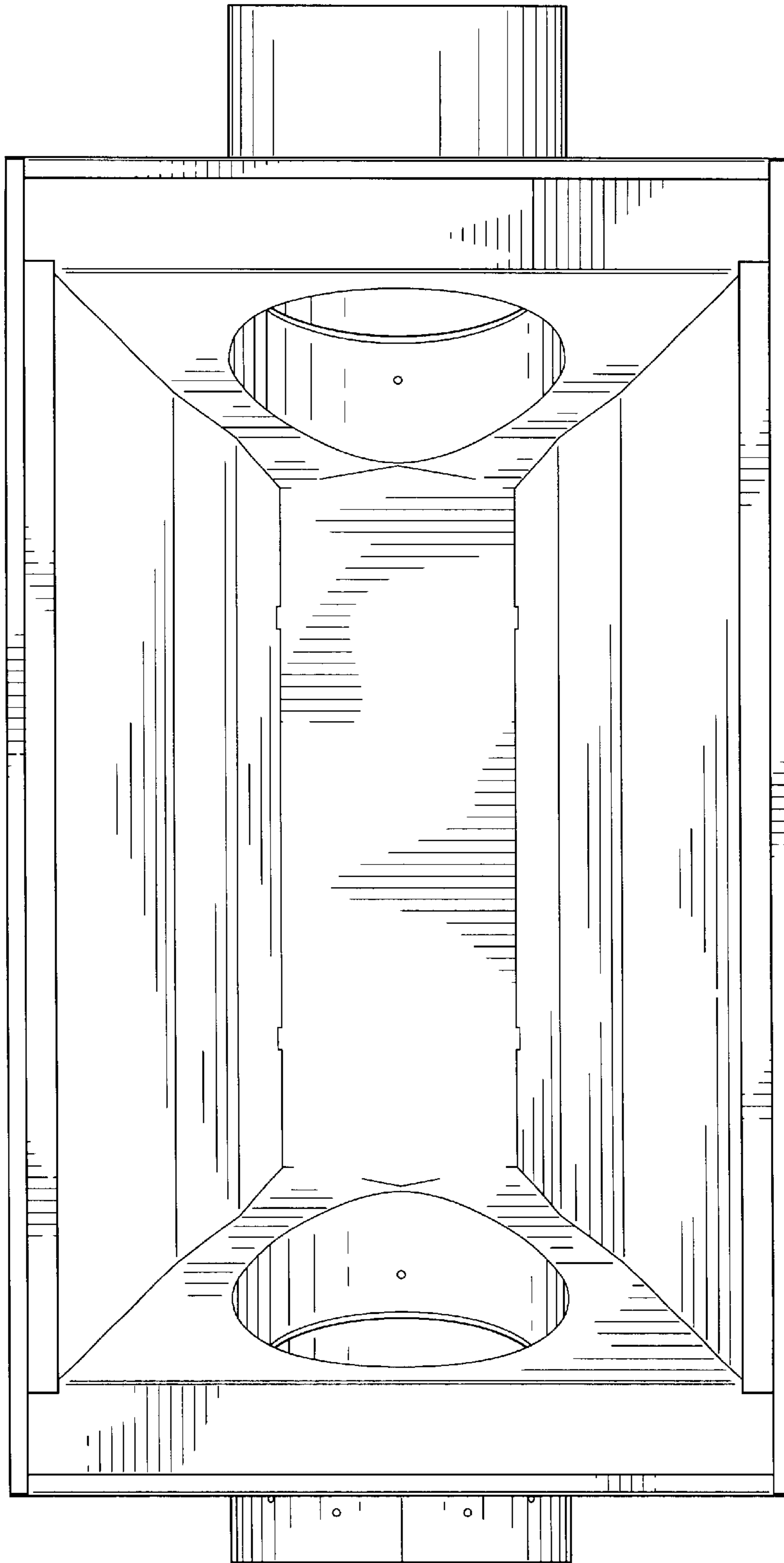


FIGURE 6

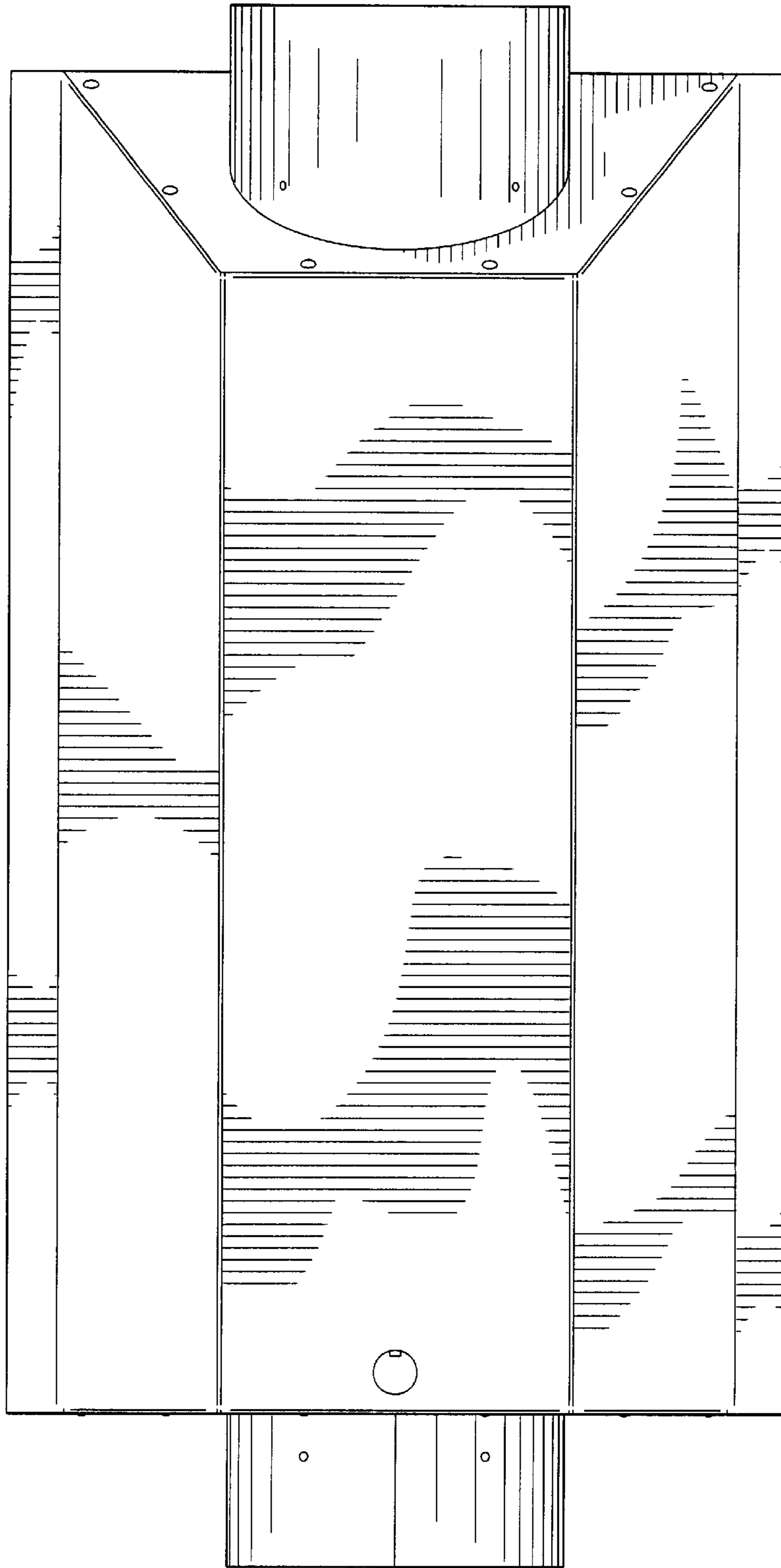


FIGURE 7