



US00D544985S

(12) **United States Design Patent**  
**Hargreaves**

(10) **Patent No.:** **US D544,985 S**  
(45) **Date of Patent:** **\*\* Jun. 19, 2007**

(54) **EIGHT LAMP CAPACITY LOW PROFILE LIGHT FIXTURE**

6,908,212 B2 6/2005 Schultz  
2002/0141195 A1 10/2002 Wardenburg

(75) Inventor: **Craig Hargreaves**, Vancouver, WA  
(US)

(73) Assignee: **IP Holdings, LLC**, Vancouver, WA  
(US)

(\*\*) Term: **14 Years**

(21) Appl. No.: **29/257,771**

(22) Filed: **Apr. 11, 2006**

(51) **LOC (8) Cl.** ..... **26-03**

(52) **U.S. Cl.** ..... **D26/78; D26/76**

(58) **Field of Classification Search** ..... D26/75-78,  
D26/73, 118; 362/1, 2, 147, 217, 218, 219,  
362/221-224, 294, 345, 373, 614, 805, 806,  
362/807

See application file for complete search history.

(56) **References Cited**

**U.S. PATENT DOCUMENTS**

D187,337 S	*	3/1960	Arnold	.....	D26/76
D259,738 S		6/1981	Boschetti		
D311,597 S		10/1990	Poot		
5,195,822 A		3/1993	Takahashi et al.		
5,440,470 A		8/1995	Ly		
D400,289 S		10/1998	Wardenburg et al.		
6,024,468 A		2/2000	Kassay et al.		
D428,516 S		7/2000	Reo et al.		
D430,688 S	*	9/2000	Plunk	.....	D26/76
D465,869 S	*	11/2002	Bodell	.....	D26/78
6,595,662 B2		7/2003	Wardenburg		

**OTHER PUBLICATIONS**

New Wave T5 High Output Fluorescent Grow Light 4ft 4 Lamp, from Bustan Urban Gardening Essentials. Found online at bustan.ca.com on Dec. 16, 2006.\*

\* cited by examiner

*Primary Examiner*—Clare E Heflin

(74) *Attorney, Agent, or Firm*—Robert J. Ireland

(57) **CLAIM**

The ornamental design for the eight lamp capacity low profile light fixture, as shown and described.

**DESCRIPTION**

FIG. 1 is a perspective view of the embodiment of the eight lamp capacity low profile light fixture, according to the new and unique ornamental design;

FIG. 2 is a left side view of the eight lamp capacity low profile light fixture as shown in FIG. 1, further showing the new design, the right side is a mirror image thereof;

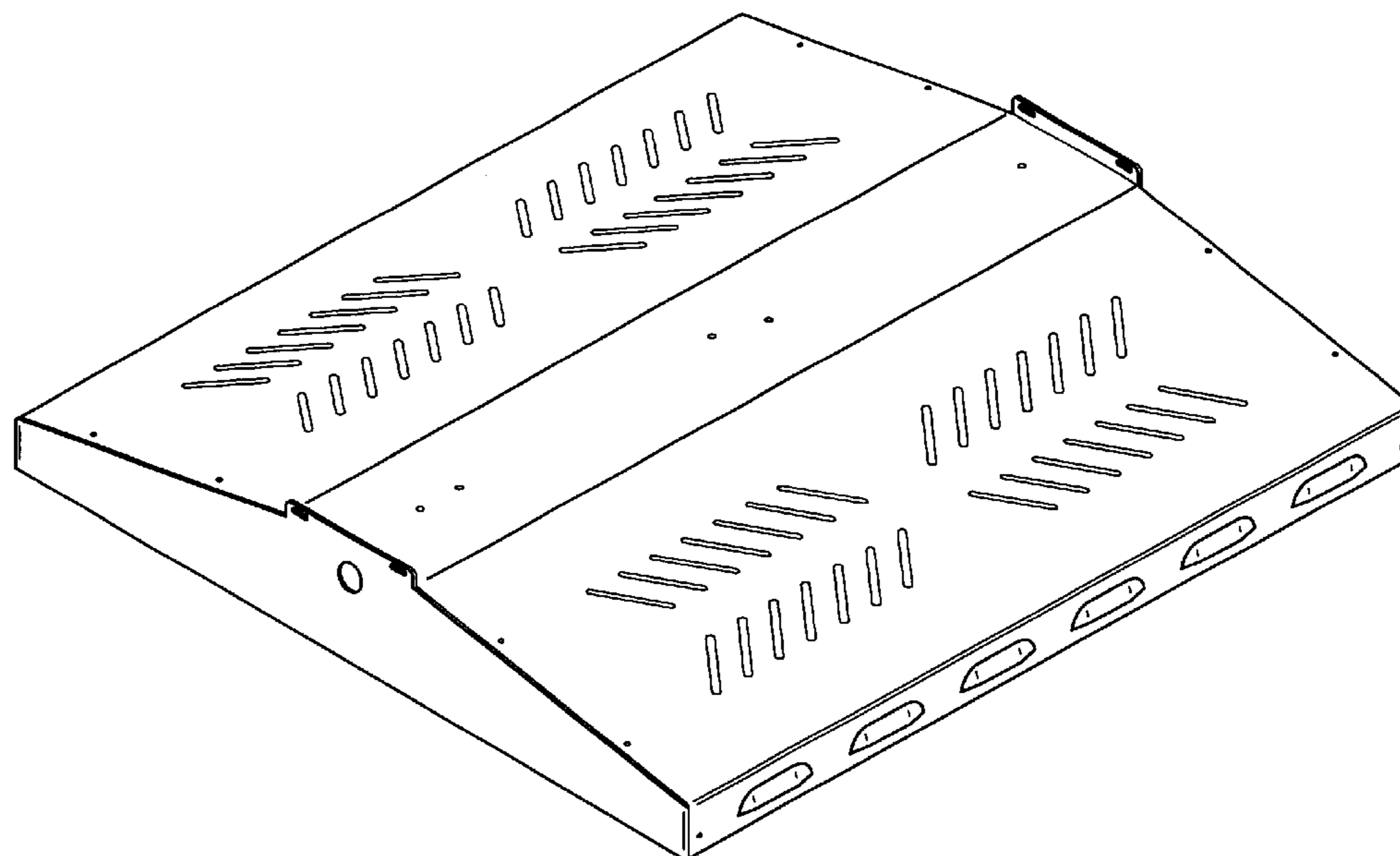
FIG. 3 is a back side view of the eight lamp capacity low profile light fixture as shown in FIG. 1 further showing the new design;

FIG. 4 is a front side view of the eight lamp capacity low profile light fixture, as shown in FIG. 1;

FIG. 5 is a top view of the eight lamp capacity low profile light fixture as shown in FIG. 1; and,

FIG. 6 is a bottom view of the eight lamp capacity low profile light fixture as shown in FIG. 1 further showing the new and unique ornamental design.

**1 Claim, 6 Drawing Sheets**



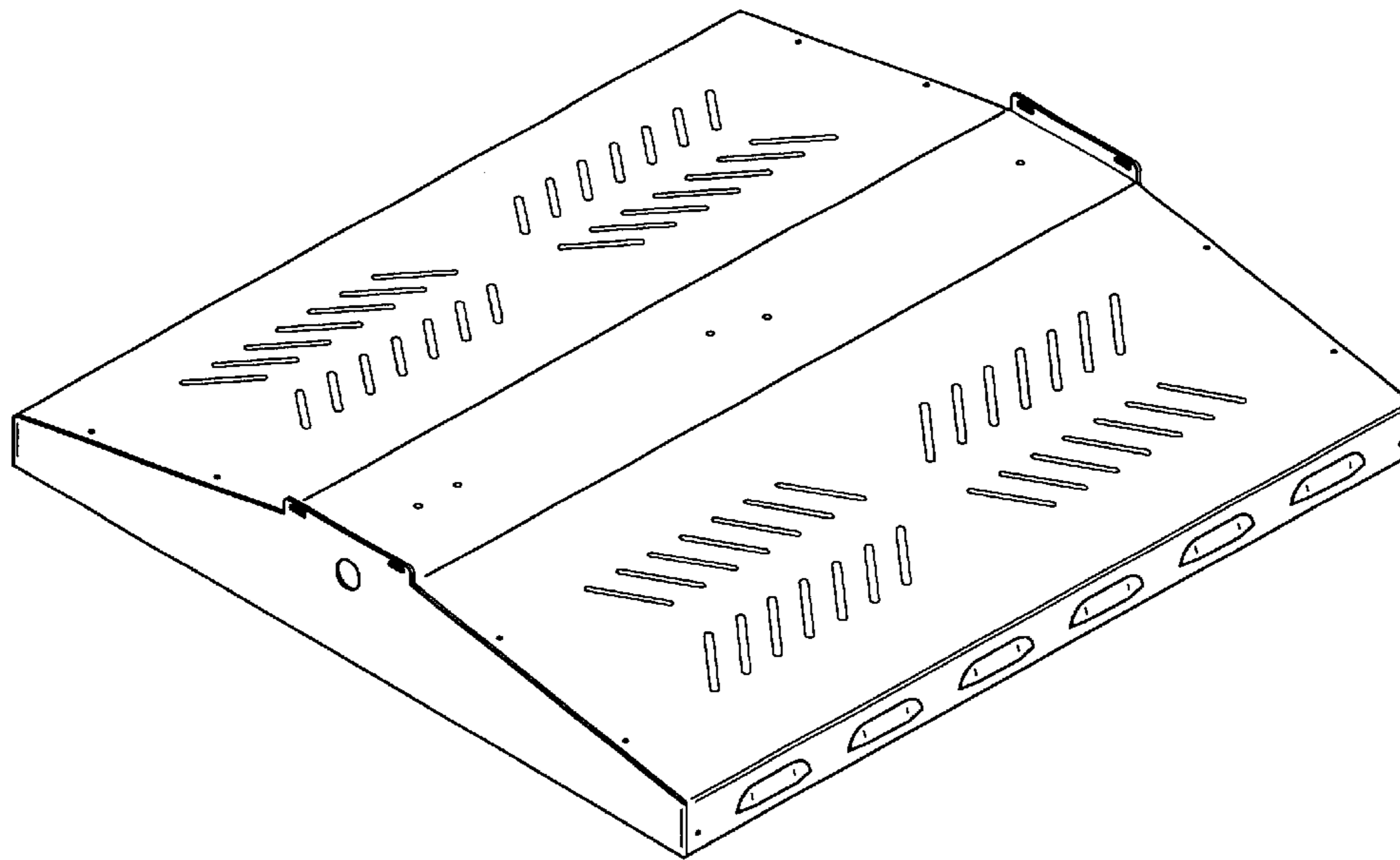


FIG. 1

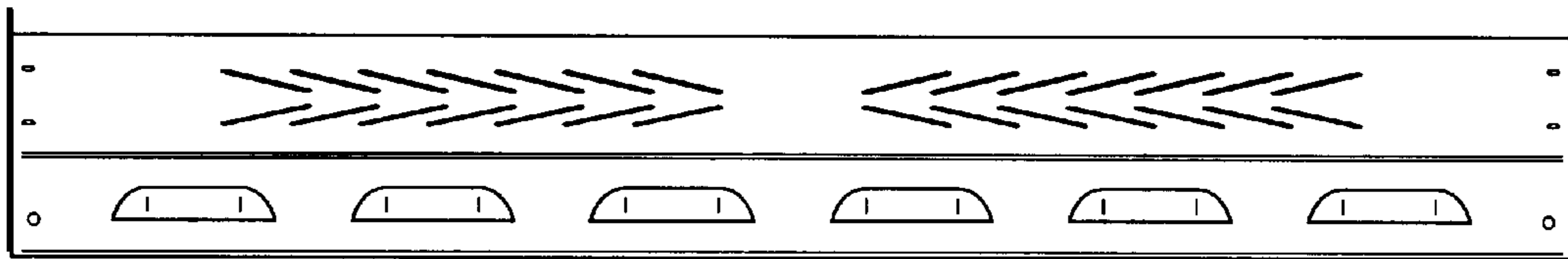


FIG. 2

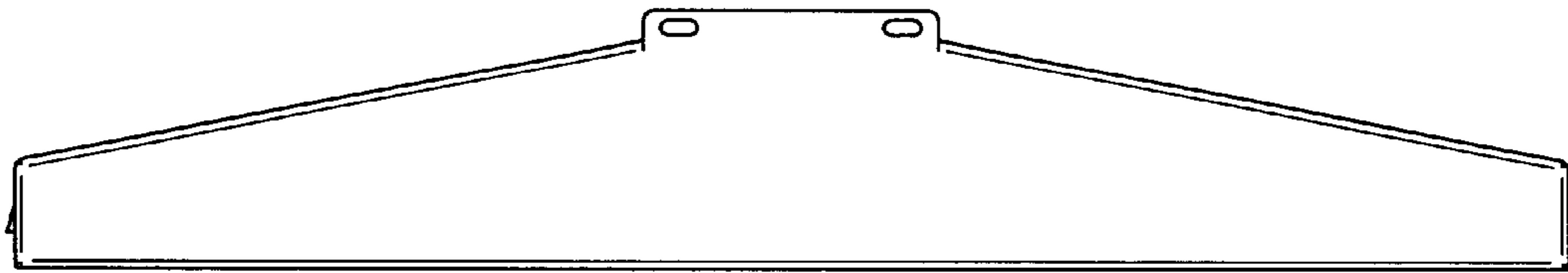


FIG. 3

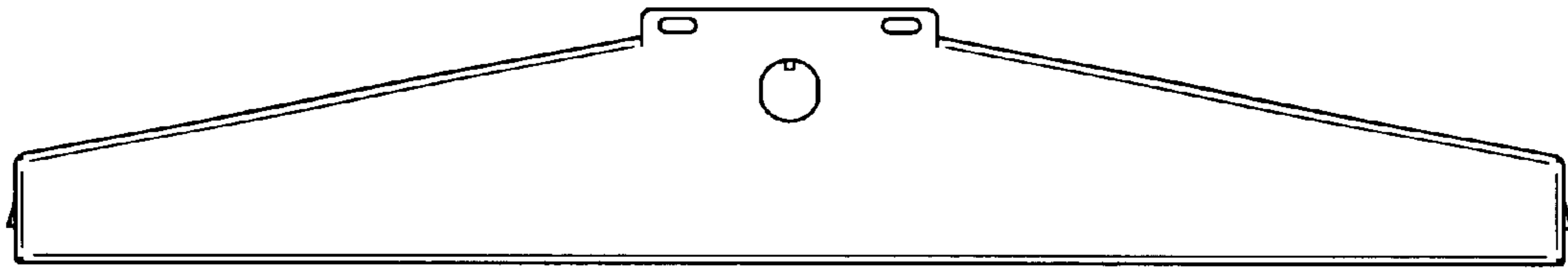


FIG. 4

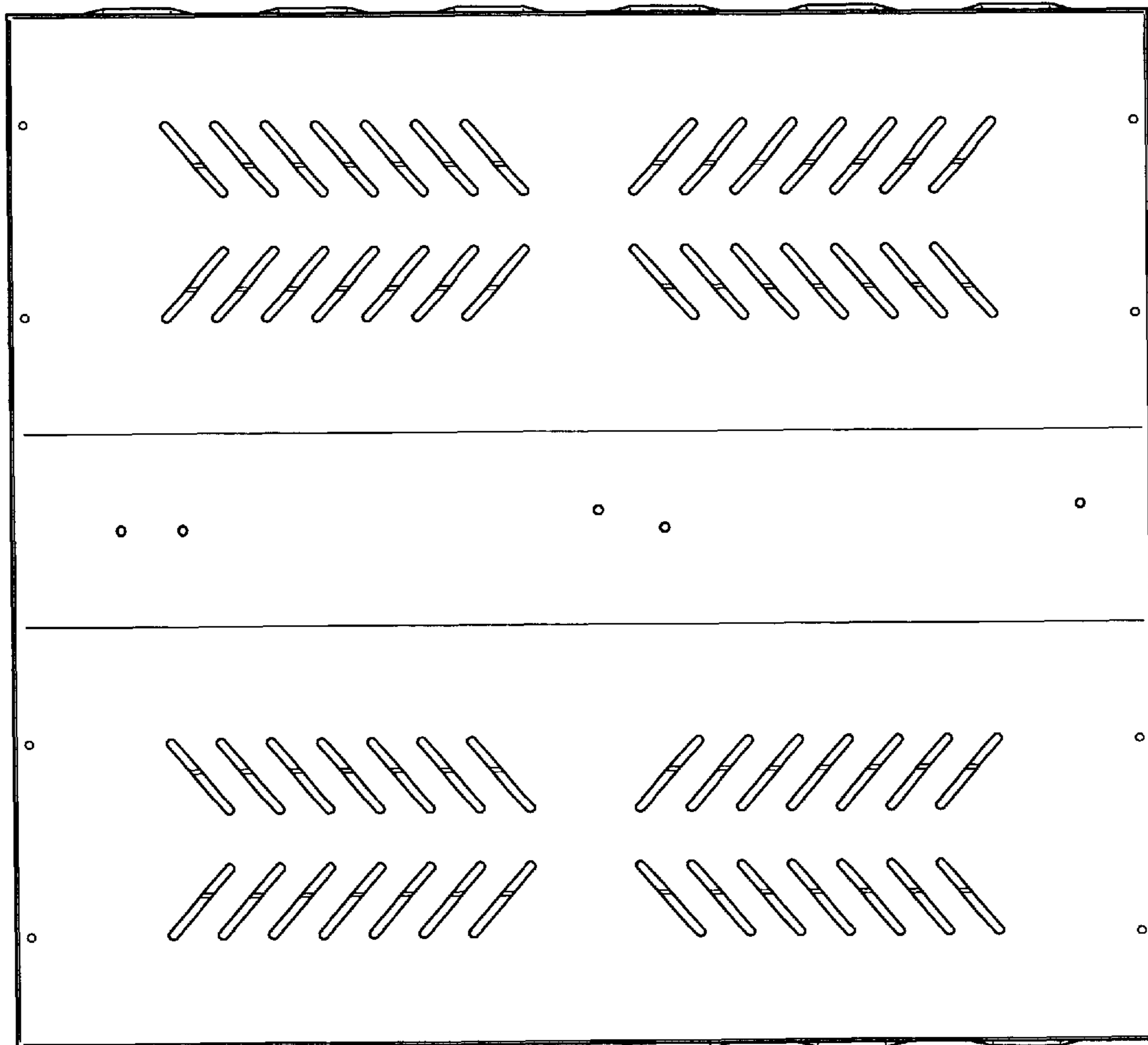


FIG. 5

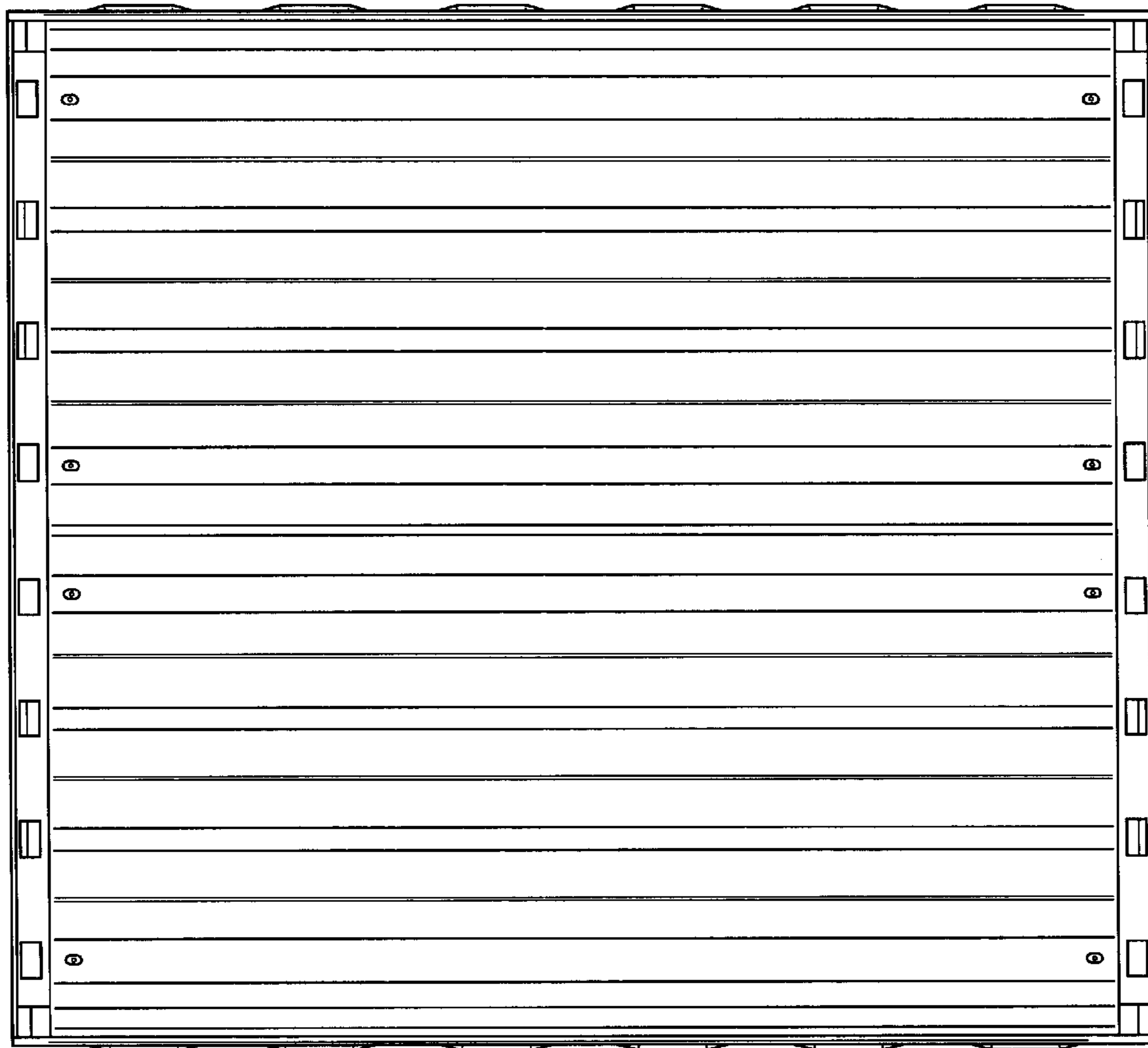


FIG. 6