

US00D544984S

(12) **United States Design Patent**  
**Hargreaves**

(10) **Patent No.:** **US D544,984 S**  
(45) **Date of Patent:** **\*\* Jun. 19, 2007**

(54) **AIR-COOLED METALLIC TUBULAR  
HORTICULTURE LIGHT FIXTURE**

6,267,483 B1 7/2001 Hembery  
D447,272 S \* 8/2001 Smith ..... D26/118  
D456,938 S \* 5/2002 Wardenburg ..... D26/118  
6,595,662 B2 7/2003 Wardenburg

(75) Inventor: **Craig Hargreaves**, Vancouver, WA  
(US)

\* cited by examiner

(73) Assignee: **IP Holdings, LLC**, Vancouver, WA  
(US)

*Primary Examiner*—Clare E Heflin  
(74) *Attorney, Agent, or Firm*—Robert J. Ireland

(\*\*) Term: **14 Years**

(57) **CLAIM**

(21) Appl. No.: **29/258,056**

The ornamental design for a air-cooled metallic tubular horticulture light fixture, as shown and described.

(22) Filed: **Apr. 17, 2006**

**DESCRIPTION**

(51) **LOC (8) Cl.** ..... **26-03**

(52) **U.S. Cl.** ..... **D26/76; D26/78**

(58) **Field of Classification Search** ..... D26/75–78,  
D26/73, 118; 362/1, 2, 147, 217, 218, 219,  
362/221–224, 294, 345, 373, 614, 805, 806,  
362/807

See application file for complete search history.

FIG. 1 is a top perspective view of the air-cooled metallic tubular horticulture light fixture, according to the new and unique ornamental design;

FIG. 2 is a right end view of the air-cooled metallic tubular horticulture light fixture as shown in FIG. 1, further showing the new design;

FIG. 3 is a front side view of the air-cooled metallic tubular horticulture light fixture as shown in FIG. 1, the back side being a mirror image thereof, further showing the new design;

FIG. 4 is a top side view of the air-cooled metallic tubular horticulture light fixture, as shown in FIG. 1;

FIG. 5 is a bottom side view of the air-cooled metallic tubular horticulture light fixture, as shown in FIG. 1;

FIG. 6 is a left end view of the air-cooled metallic tubular horticulture light fixture as shown in FIG. 1, further showing the new design; and,

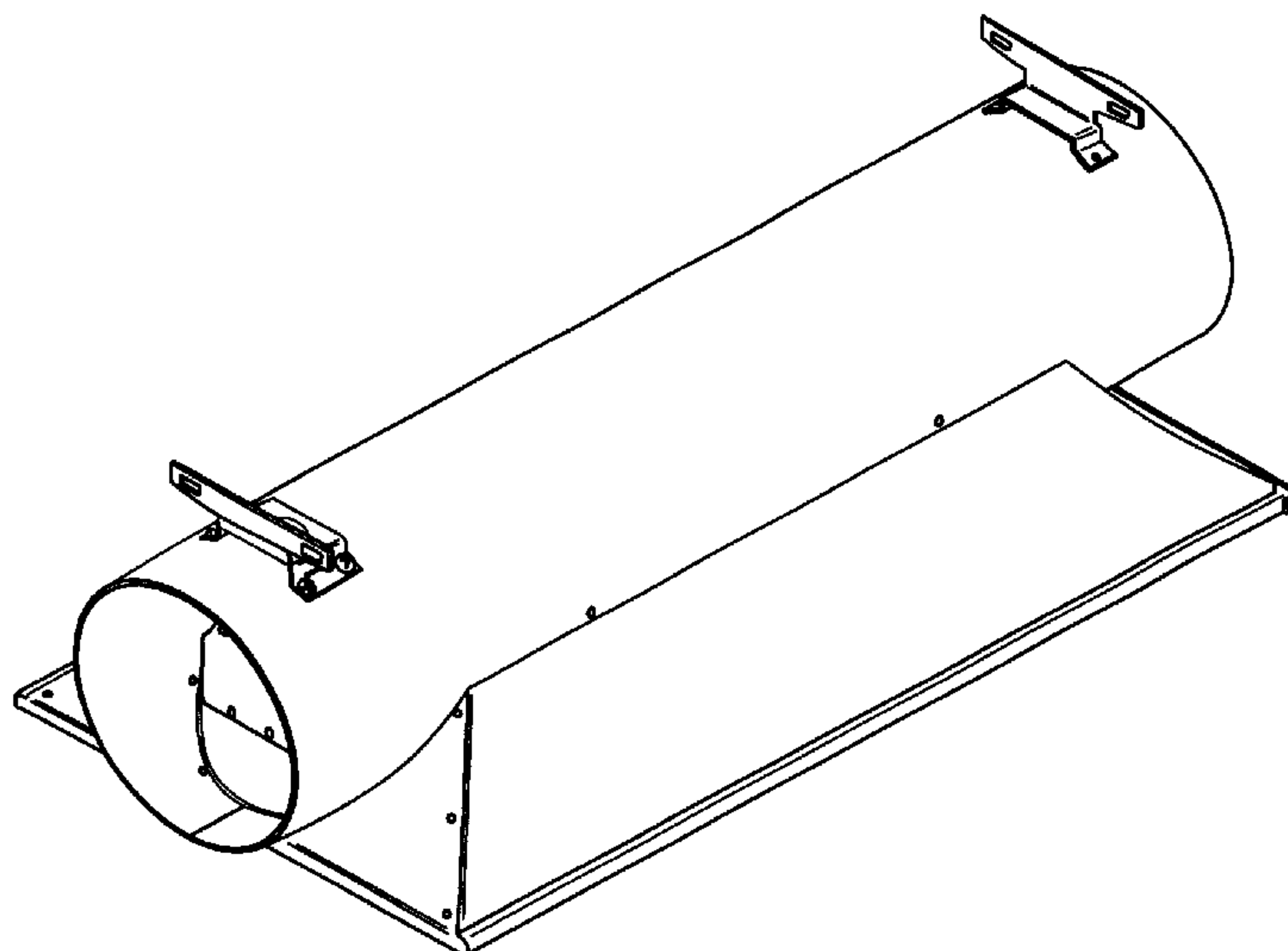
FIG. 7 is a bottom perspective view of the air-cooled metallic tubular horticulture light fixture with a lamp installed, according to the new and unique ornamental design.

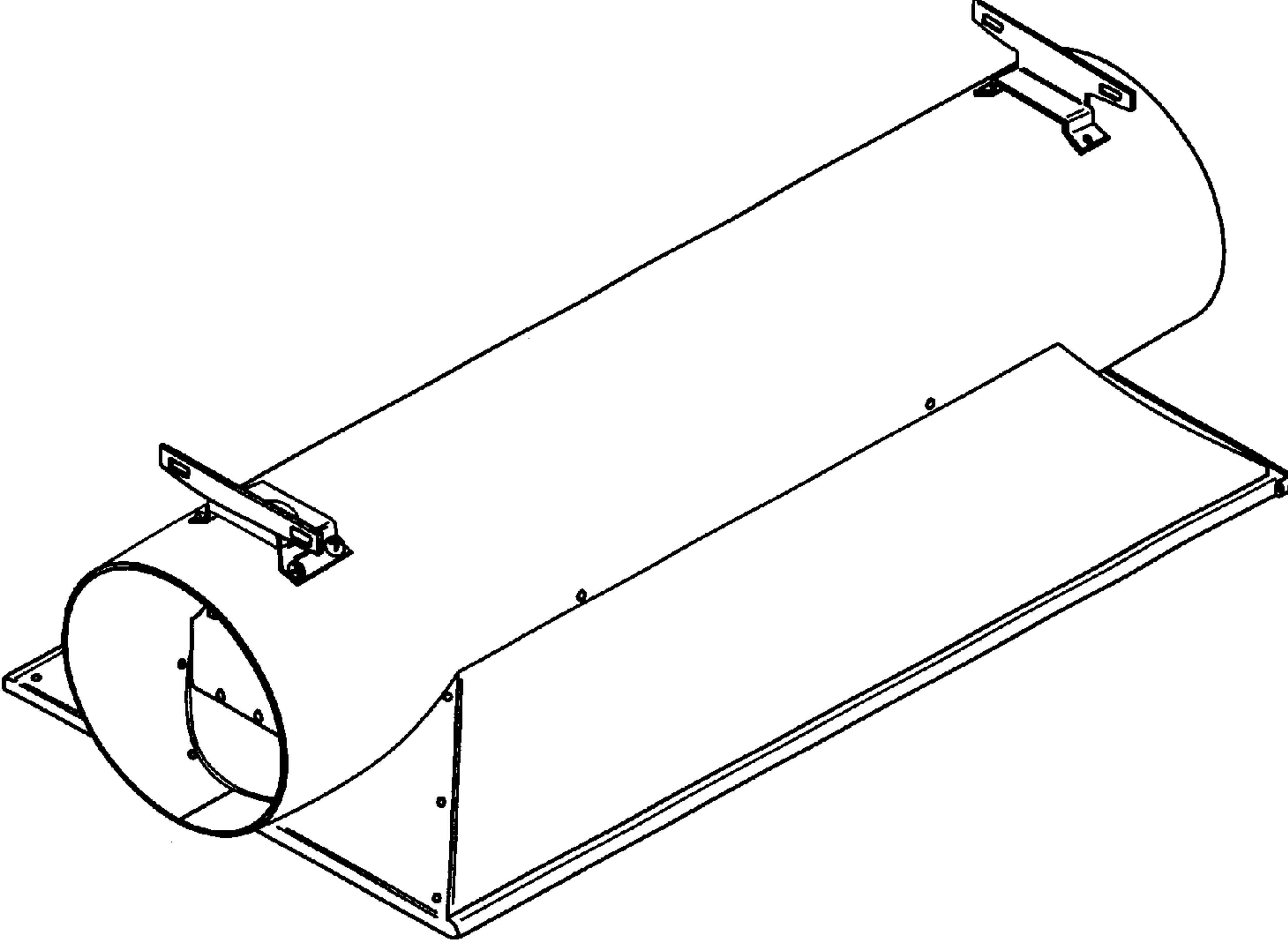
(56) **References Cited**

**U.S. PATENT DOCUMENTS**

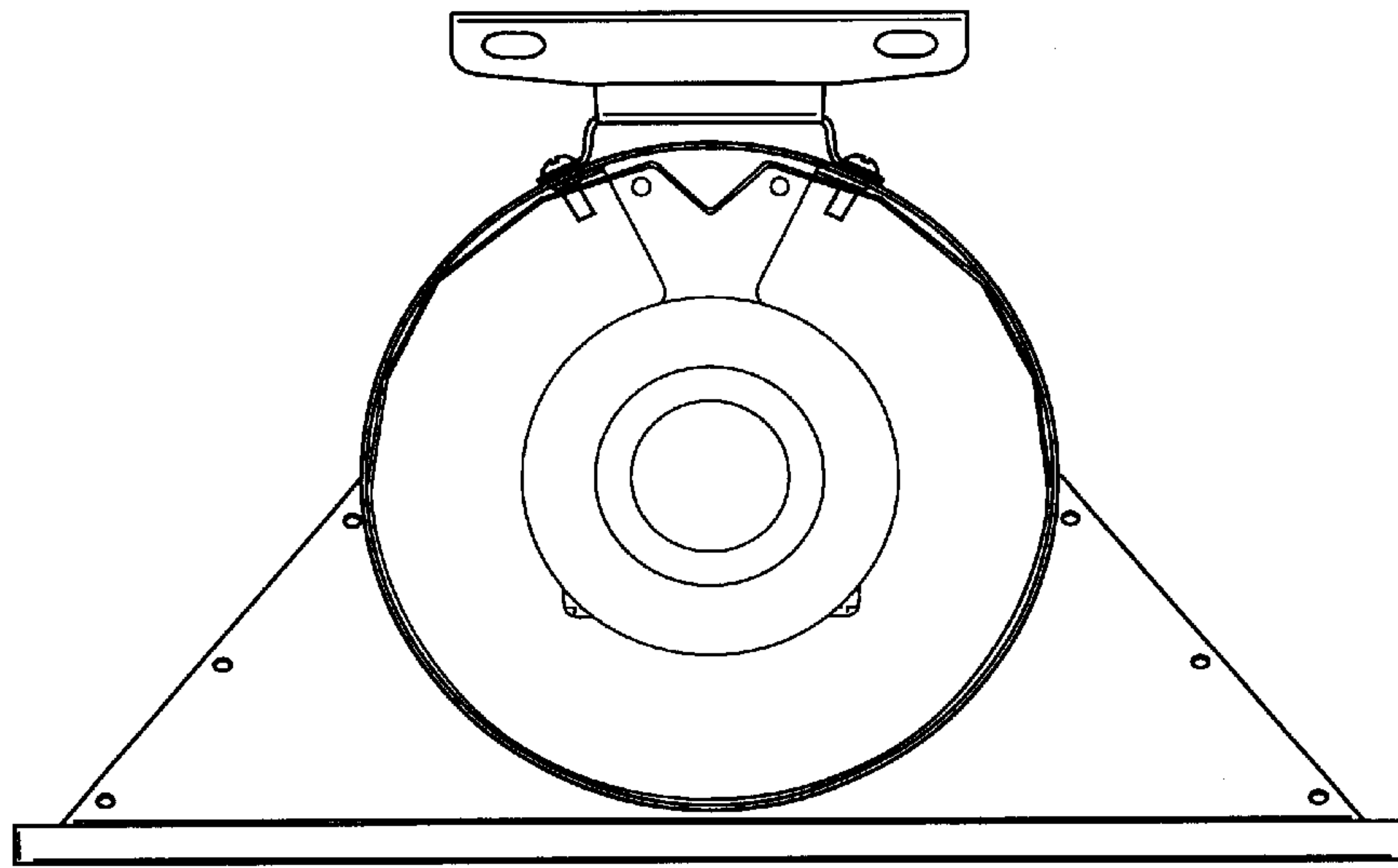
D123,768 S	*	12/1940	Scribner	.....	D26/78
D213,391 S	*	2/1969	Bruno	.....	D26/86
4,037,096 A		7/1977	Brendgord et al.		
D266,578 S	*	10/1982	Moshier	.....	D26/76
5,199,784 A	*	4/1993	Hempleman	.....	362/294
D376,437 S	*	12/1996	Karlo et al.	.....	D26/28
5,621,267 A		4/1997	Shaffner et al.		
5,702,179 A		12/1997	Sidwell		
D399,328 S	*	10/1998	Compton	.....	D26/72
D400,289 S		10/1998	Wardenburg et al.		
D415,304 S	*	10/1999	Brown	.....	D26/87
D418,626 S	*	1/2000	Herst et al.	.....	D26/118
6,247,830 B1		6/2001	Winnett et al.		
D445,943 S	*	7/2001	Littman	.....	D26/87

**1 Claim, 7 Drawing Sheets**





**FIG. 1**



**FIG. 2**

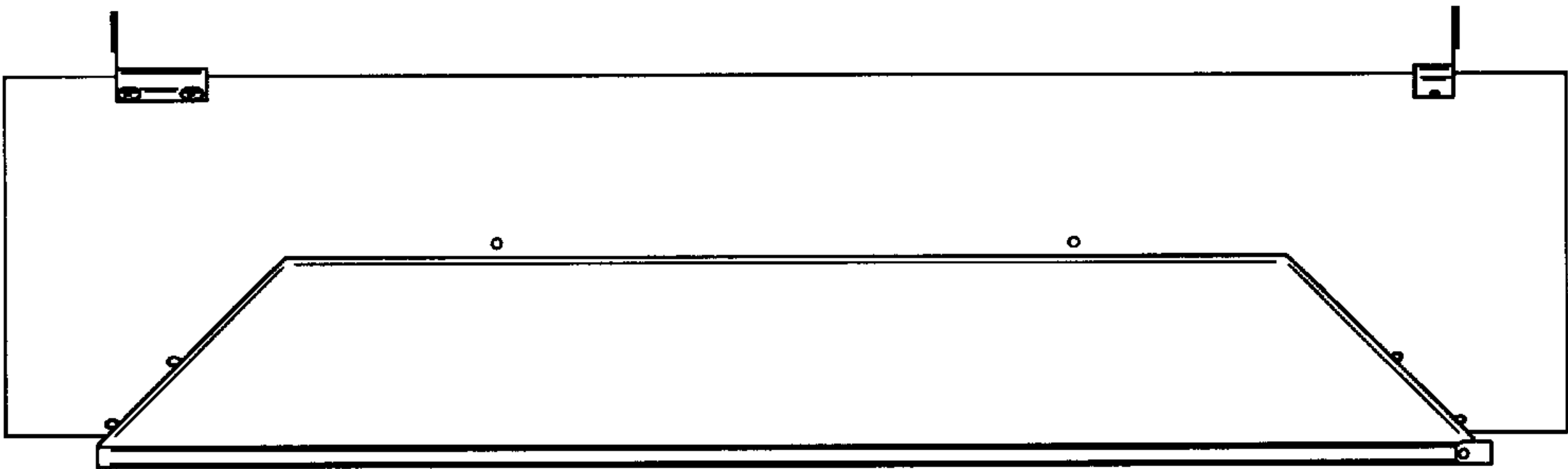


FIG. 3

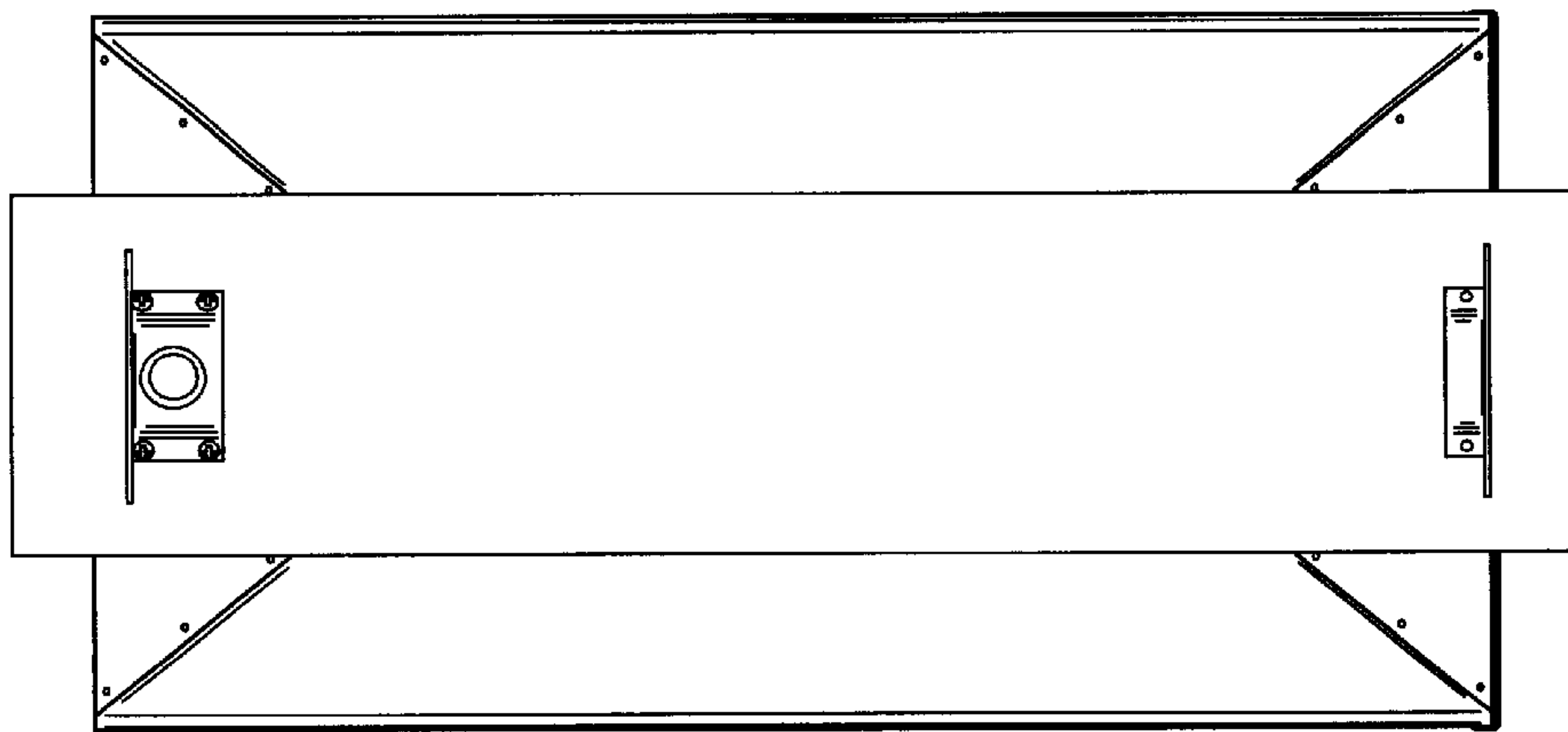
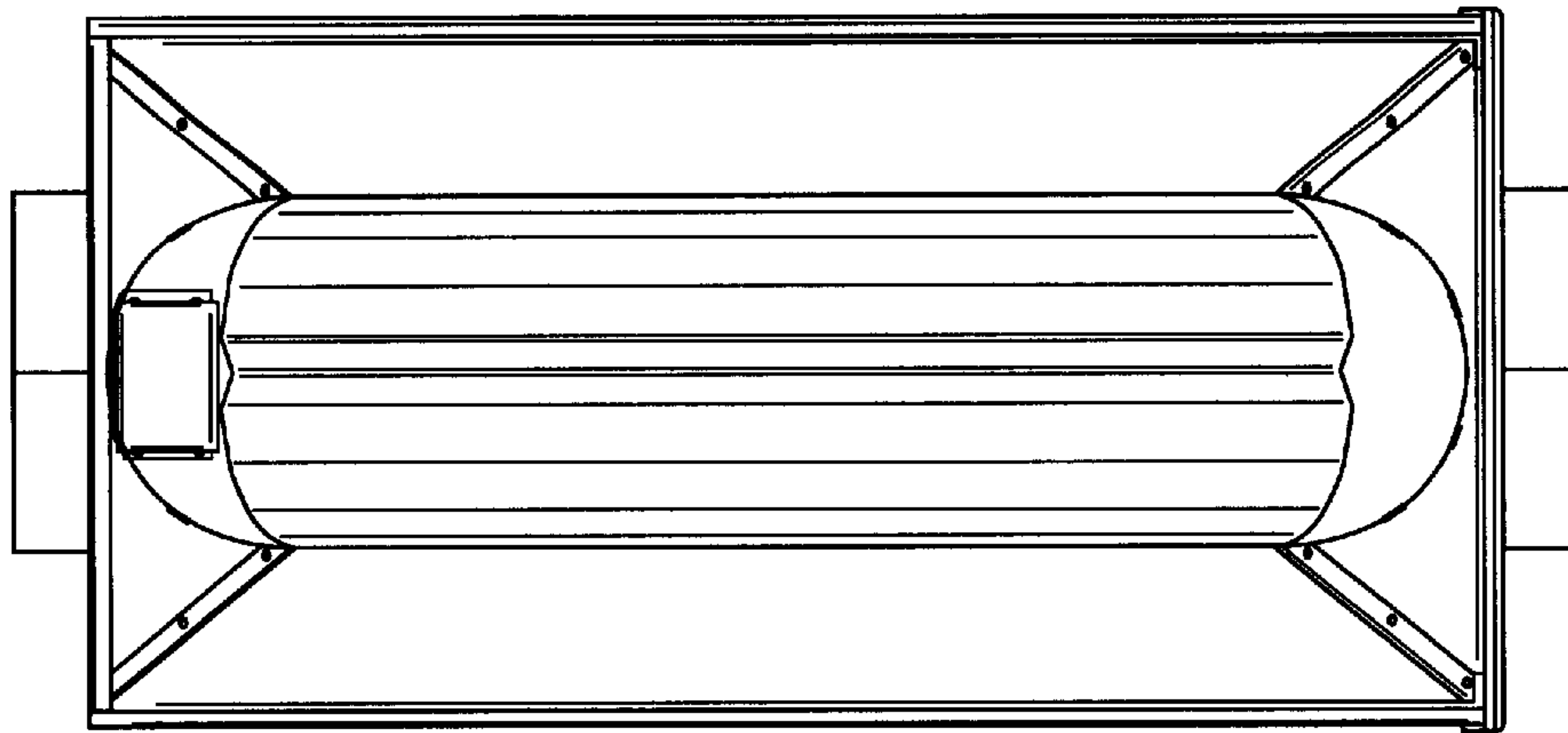
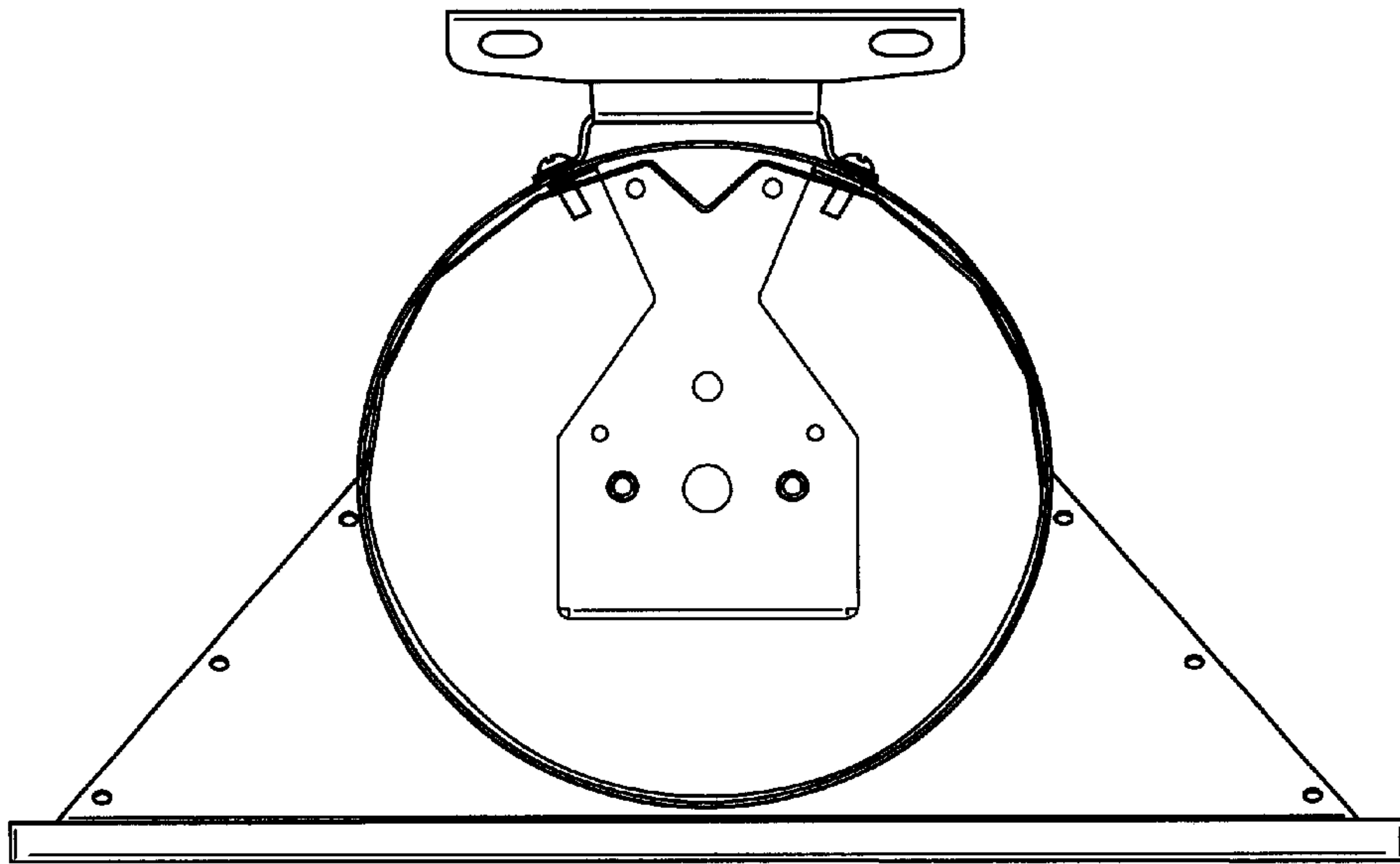


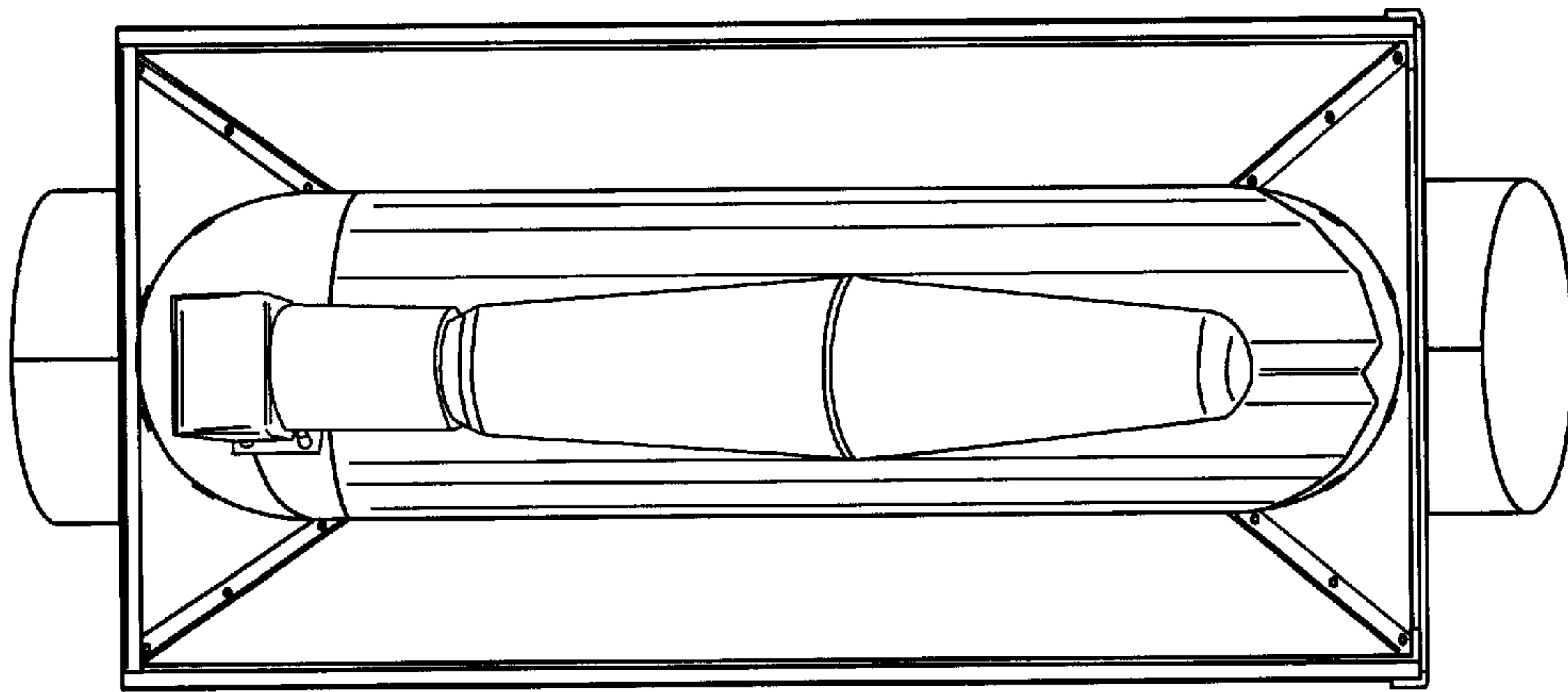
FIG. 4



**FIG. 5**



**FIG. 6**



**FIG. 7**