

US00D544979S

(12) **United States Design Patent** (10) **Patent No.:** **US D544,979 S**
Hartmann, Jr. et al. (45) **Date of Patent:** **** Jun. 19, 2007**

(54) **LIGHT FIXTURE**

(75) Inventors: **Richard Hartmann, Jr.**, Holland, MI (US); **Richard J. Camarota**, Holland, MI (US)

(73) Assignee: **ITC Incorporated**, Holland, MI (US)

(**) Term: **14 Years**

(21) Appl. No.: **29/266,599**

(22) Filed: **Sep. 25, 2006**

Related U.S. Application Data

(63) Continuation of application No. 11/176,470, filed on Jul. 7, 2005.

(51) **LOC (8) Cl.** **26-05**

(52) **U.S. Cl.** **D26/74**

(58) **Field of Classification Search** D26/72,
D26/74-79, 131, 67; 362/217-225
See application file for complete search history.

(56) **References Cited**

U.S. PATENT DOCUMENTS

- 2,744,191 A 5/1956 Renaud et al.
- D213,464 S * 3/1969 Meyer D26/89
- D298,469 S * 11/1988 Melrose D26/131
- 5,477,442 A * 12/1995 Self 362/368
- 5,568,008 A 10/1996 Narita
- 5,803,595 A * 9/1998 Verspaget et al. 362/374
- D445,526 S * 7/2001 Wang D26/76
- 6,431,723 B1 8/2002 Schubert et al.
- 6,454,439 B1 9/2002 Camarota
- D464,164 S * 10/2002 Thompson D26/89
- 6,502,975 B1 1/2003 Branstetter
- 6,586,672 B2 * 7/2003 Kobus et al. 174/50
- D488,251 S * 4/2004 Benghozi D26/118
- D488,583 S * 4/2004 Benghozi D26/118
- D490,183 S * 5/2004 Benensohn D26/89

- D493,246 S * 7/2004 Benensohn D26/89
- D516,235 S * 2/2006 Rashidi D26/74
- 2003/0063470 A1 4/2003 Grajetzky et al.
- 2005/0265016 A1 12/2005 Rappaport

FOREIGN PATENT DOCUMENTS

DE 2929190 A 1/1981

OTHER PUBLICATIONS

<http://itc-marine.com/overhead.html> dated Jan. 9, 2003 shows a "Décor TM Premium Recessed Light" with retaining springs—3 pages.

* cited by examiner

Primary Examiner—Louis S. Zarfes

Assistant Examiner—Susan E Krakower

(74) *Attorney, Agent, or Firm*—Flynn, Thiel, Boutell & Tanis, P.C.

(57) **CLAIM**

An ornamental design for a light fixture, as shown and described.

DESCRIPTION

FIG. 1 is a top perspective view of a light fixture of our new design;

FIG. 2 is a top plan view thereof;

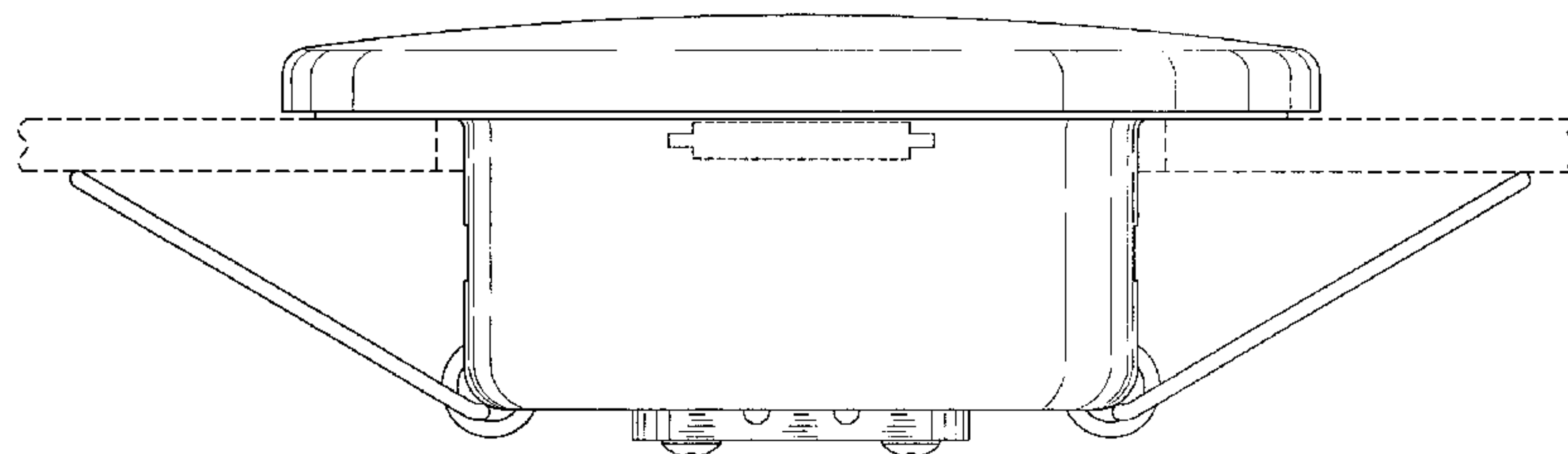
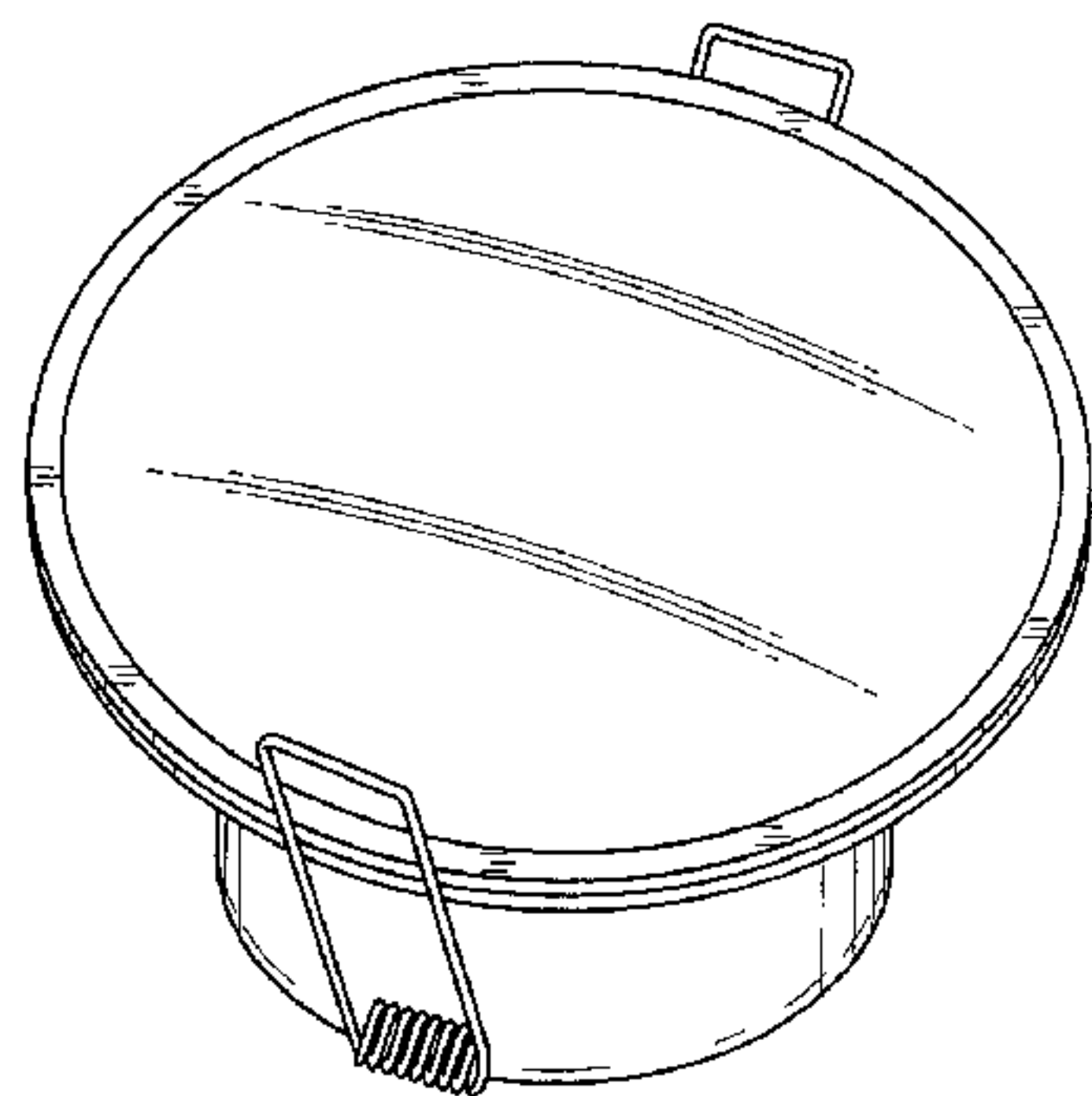
FIG. 3 is a bottom plan view, with the spring assembly open in a position of usage, thereof;

FIG. 4 is a front elevational view, with the spring assembly open in a position of usage, thereof; and,

FIG. 5 is a right side elevational view, the left side being a mirror image, thereof.

The broken line showing is for illustrative purposes only and forms no part of the claimed design.

1 Claim, 5 Drawing Sheets



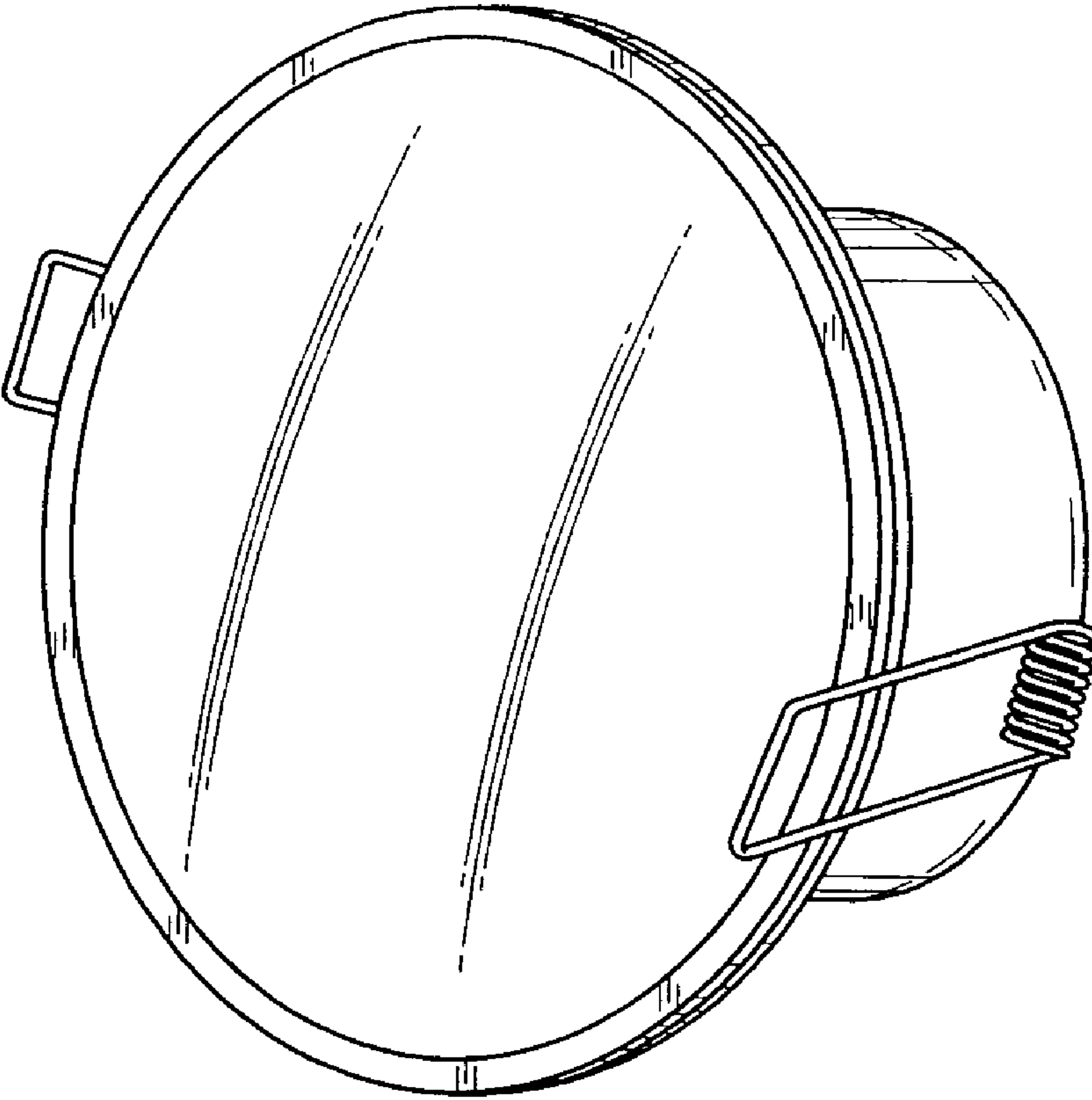


FIG. 1

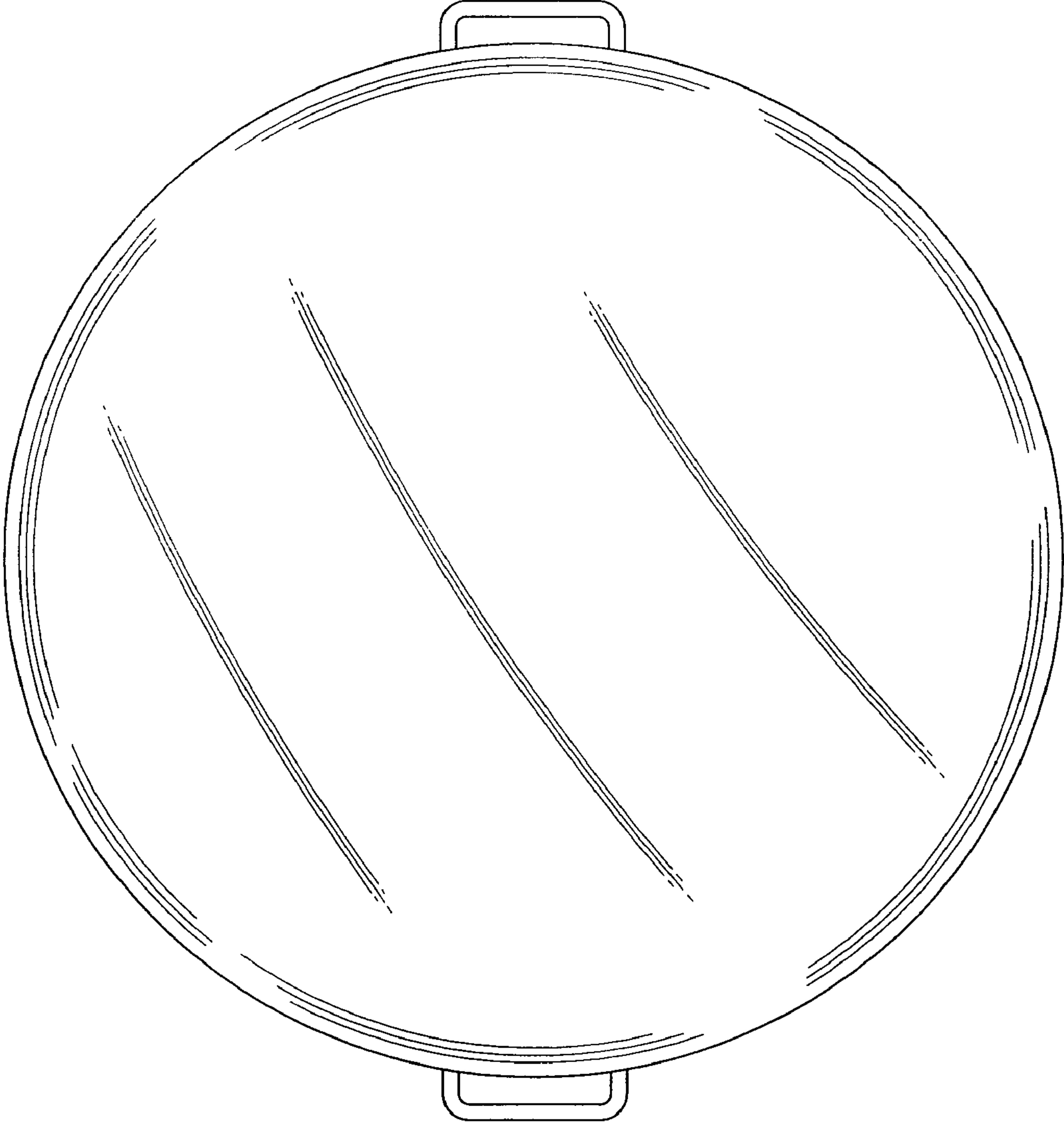


FIG. 2

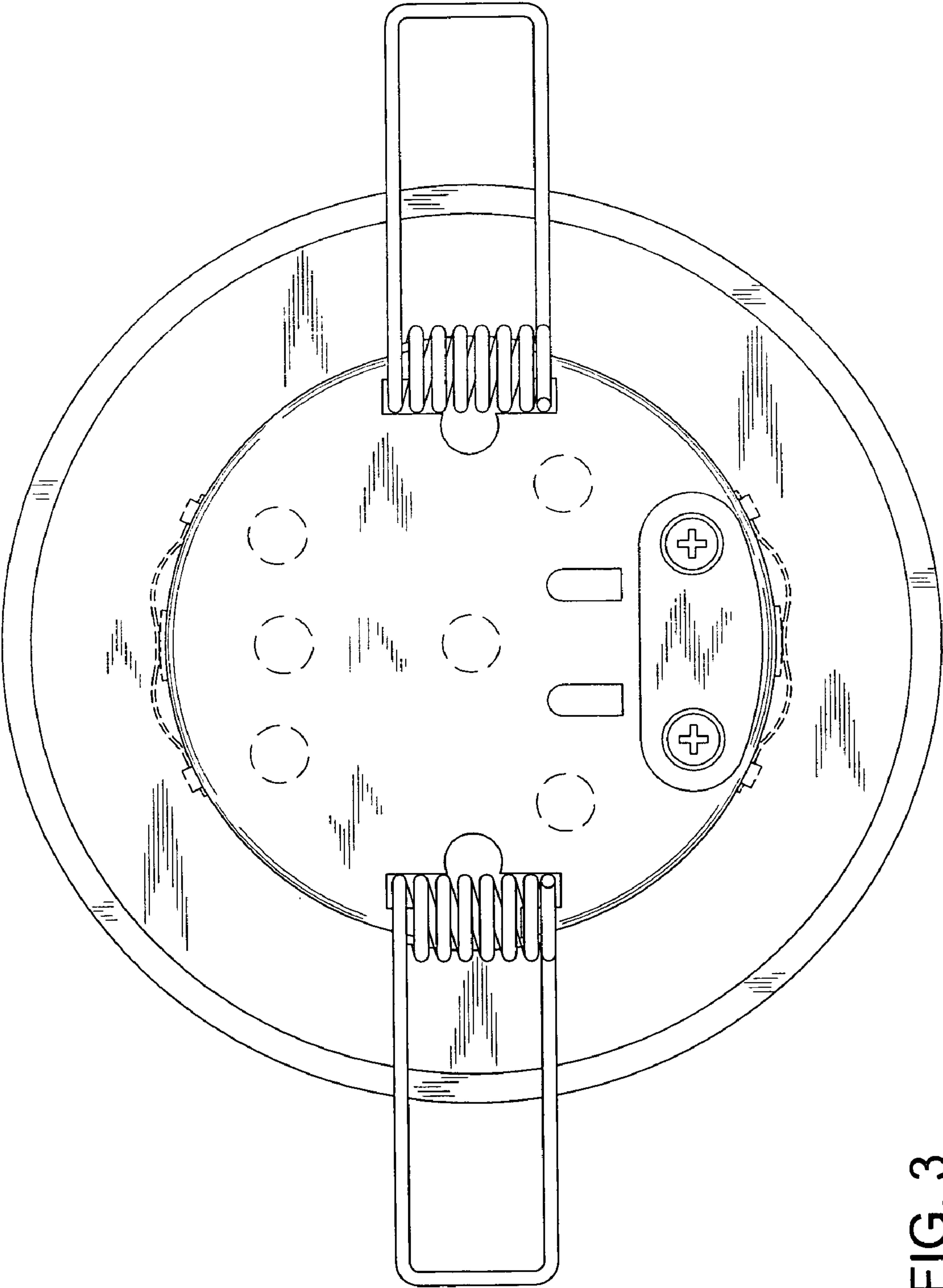


FIG. 3

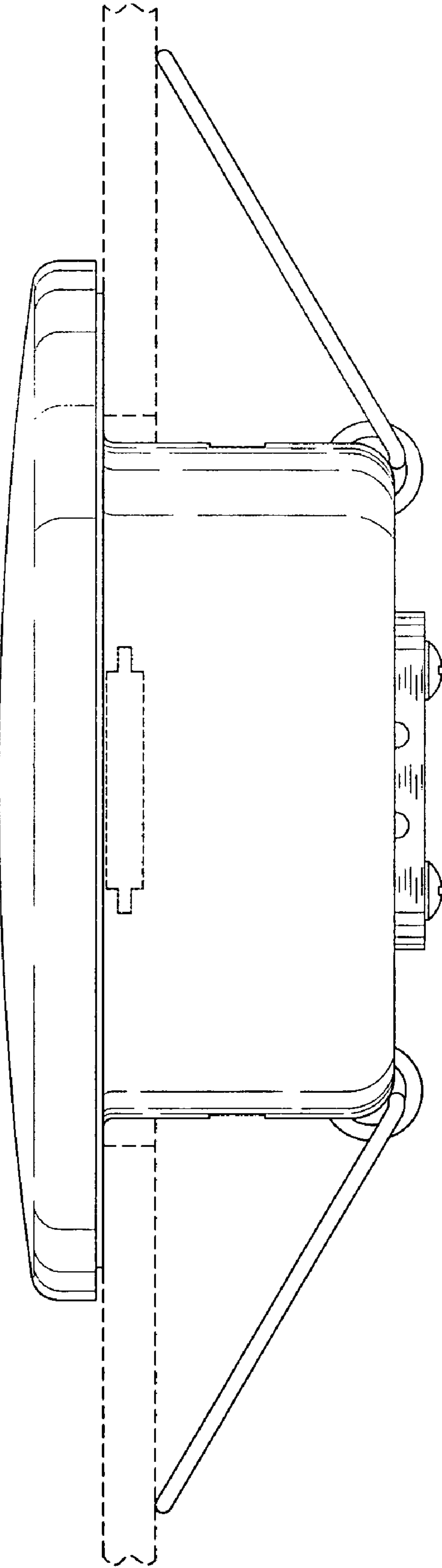


FIG. 4

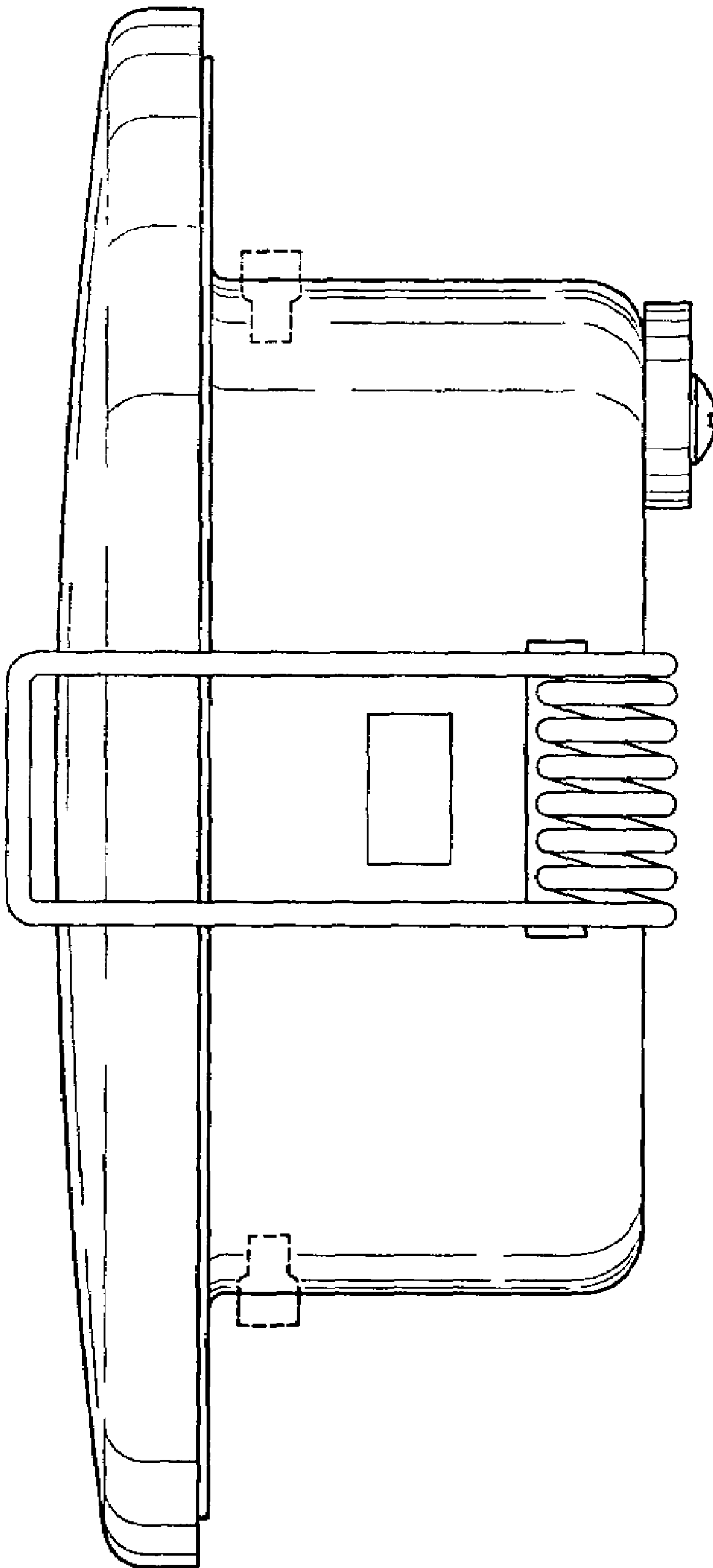


FIG. 5