

US00D544977S

(12) **United States Design Patent**  
**Qi**

(10) **Patent No.:** **US D544,977 S**  
(45) **Date of Patent:** **\*\* Jun. 19, 2007**

(54) **UNDERHOOD WORK LIGHT**

(75) Inventor: **Xiaojian Qi**, Hangzhou (CN)

(73) Assignee: **Hangzhou Guangong Machinery & Electric Co., Ltd.**, Sandun Town, Hangzhou (CN)

(\*\*) Term: **14 Years**

(21) Appl. No.: **29/275,428**

(22) Filed: **Dec. 26, 2006**

(51) **LOC (8) Cl.** ..... **26-05**

(52) **U.S. Cl.** ..... **D26/60; D26/37**

(58) **Field of Classification Search** ..... D26/37, D26/60, 75, 76, 80; D10/111, 114; 362/98, 362/99, 147, 171, 178, 184, 190, 220, 249, 362/240, 376, 396, 486, 581

See application file for complete search history.

(56) **References Cited**

**U.S. PATENT DOCUMENTS**

193,596 A *	7/1877	Card	362/178
2,775,688 A *	12/1956	Golden	362/191
D314,635 S *	2/1991	Berg	D26/60
5,361,195 A *	11/1994	Chen	362/397
5,436,815 A *	7/1995	Grooms et al.	362/216
5,836,679 A *	11/1998	Klamm	362/391
D425,234 S *	5/2000	Marier	D26/78
D490,179 S *	5/2004	Niemann	D26/37
2002/0114155 A1 *	8/2002	Katogi et al.	362/219
2004/0246718 A1 *	12/2004	Fan	362/236
2005/0063179 A1 *	3/2005	Niemann	362/184

\* cited by examiner

*Primary Examiner*—Clare E Heflin

(74) *Attorney, Agent, or Firm*—Global IP Services; Tianhua Gu

(57) **CLAIM**

The ornamental design for an underhood work light, as shown and described.

**DESCRIPTION**

FIG. 1 is a perspective view of an underhood work light showing my new design;

FIG. 2 is a front view thereof;

FIG. 3 is a rear view thereof;

FIG. 4 is a left side view thereof;

FIG. 5 is a right side view thereof;

FIG. 6 is a top plan view thereof;

FIG. 7 is a bottom plan view thereof;

FIG. 8 is a perspective view of the light tube portion of the underhood work light showing my new design with the light seat being removed for illustrative purposes only;

FIG. 9 is a front view thereof;

FIG. 10 is a rear view thereof;

FIG. 11 is a left side view thereof;

FIG. 12 is a right side view thereof;

FIG. 13 is a top plan view thereof;

FIG. 14 is a bottom plan view thereof;

FIG. 15 is a perspective view of the light seat portion of the underhood work light showing my new design with the light tube being removed for illustrative purposes only;

FIG. 16 is a front view thereof;

FIG. 17 is a rear view thereof;

FIG. 18 is a left side view thereof;

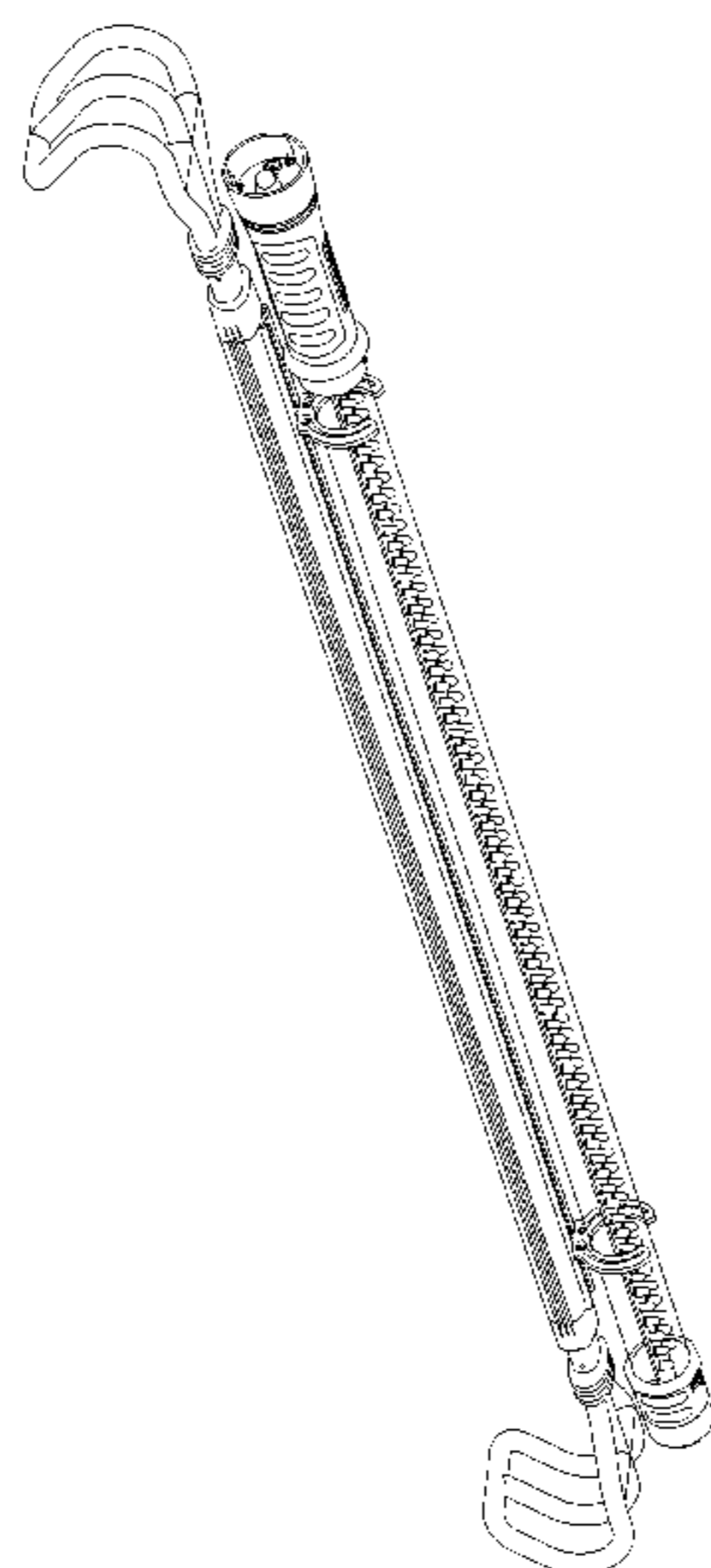
FIG. 19 is a right side view thereof;

FIG. 20 is a top plan view thereof; and,

FIG. 21 is a bottom plan view thereof.

The underhood work light is assembled by a light tube and a light seat.

**1 Claim, 12 Drawing Sheets**



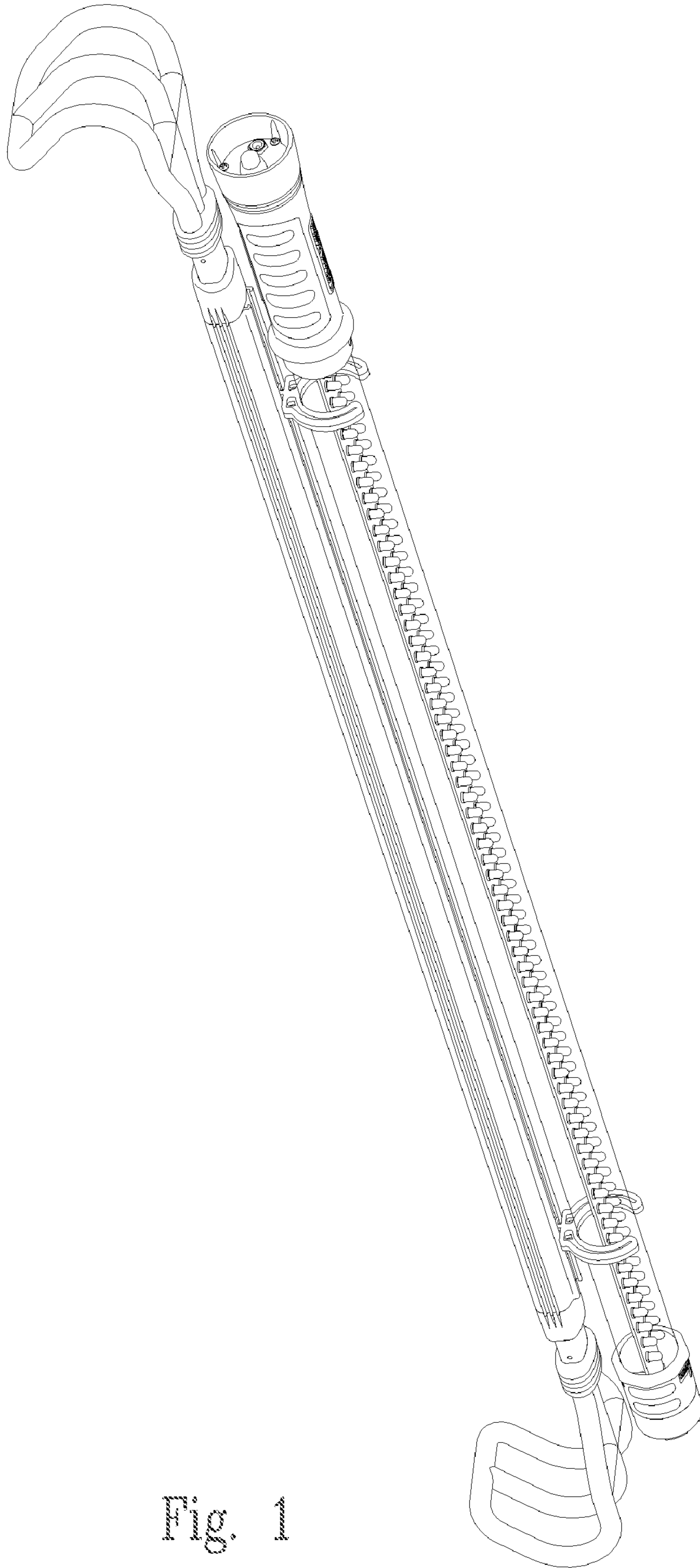


Fig. 1

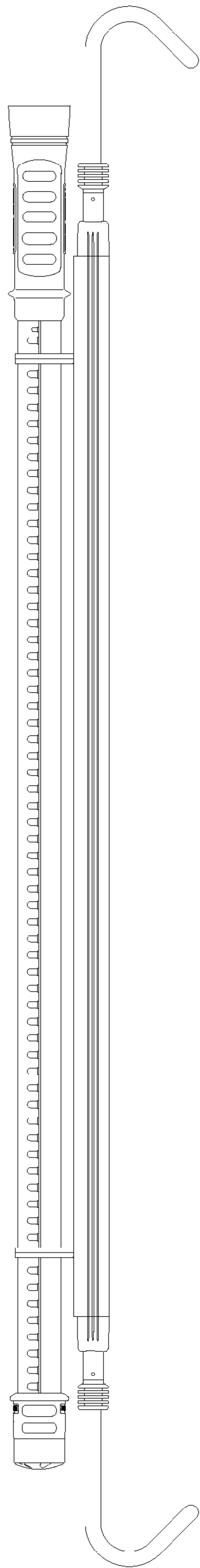


Fig. 2

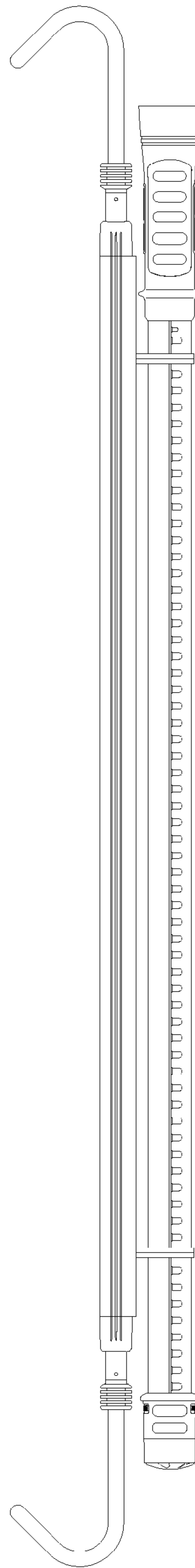


Fig. 3

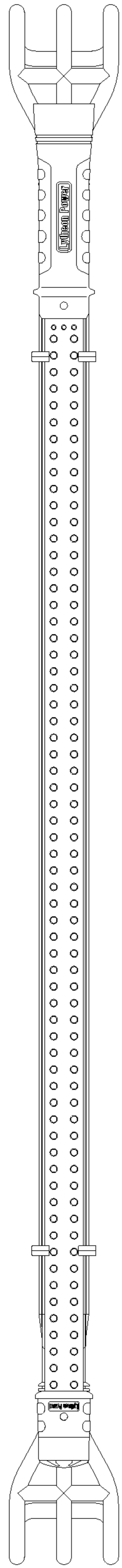


Fig. 4

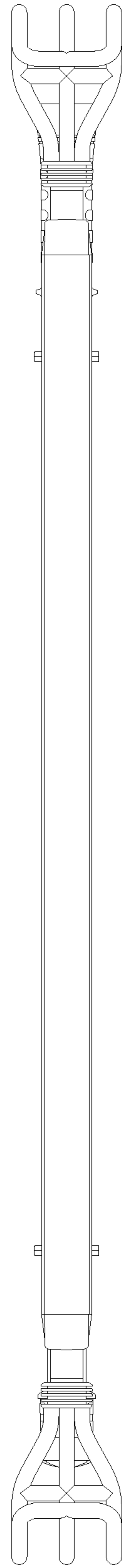


Fig. 5

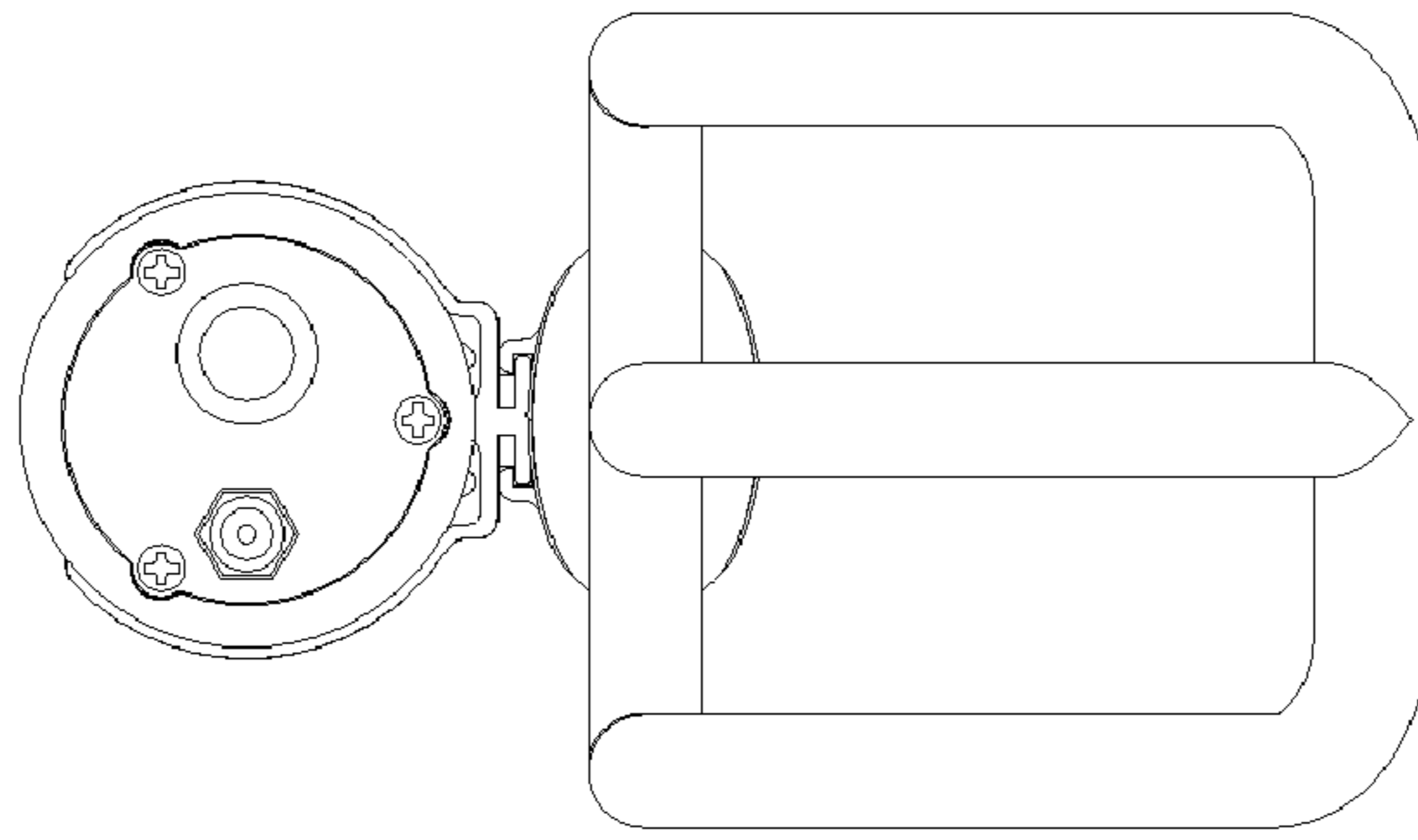


Fig. 6

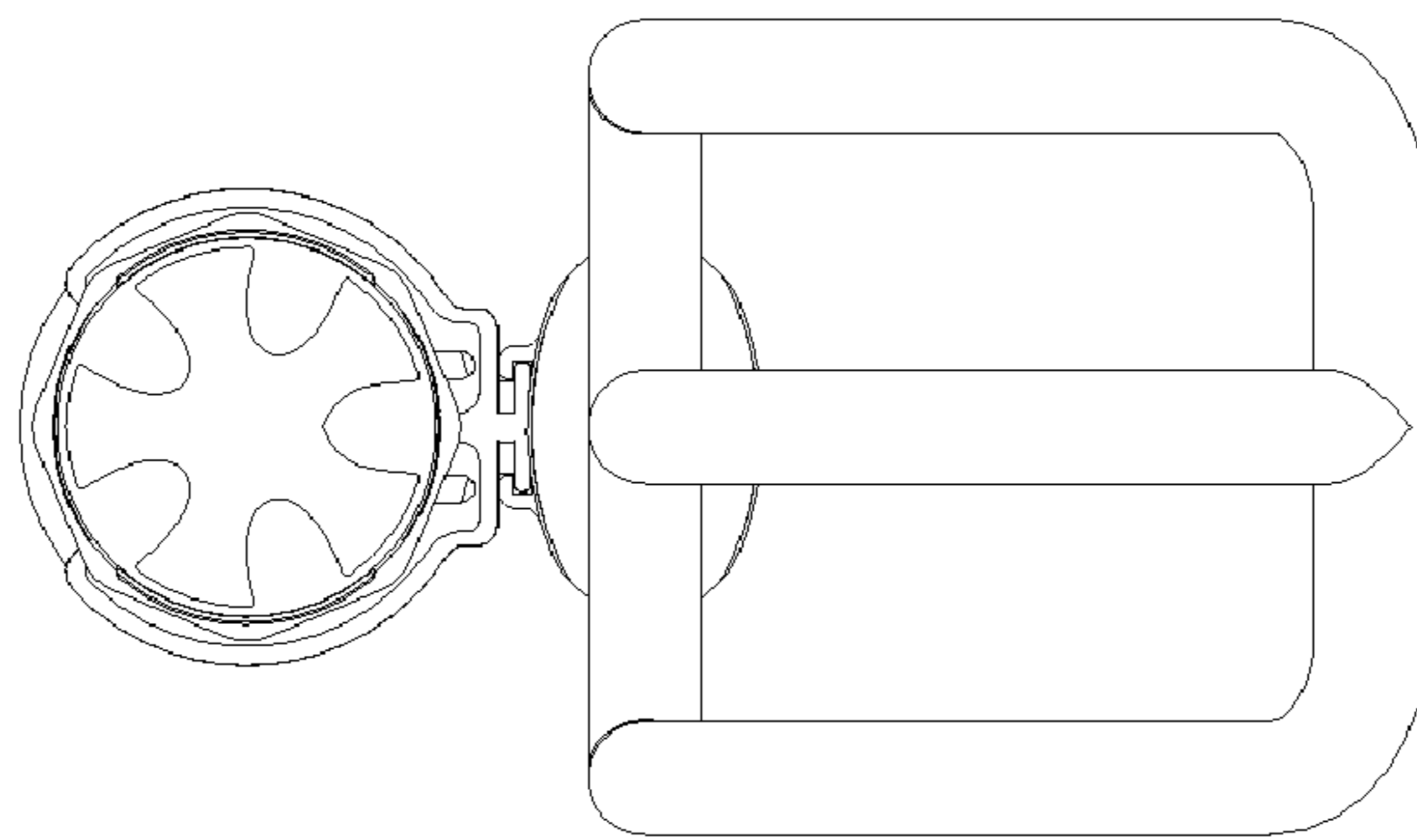


Fig. 7

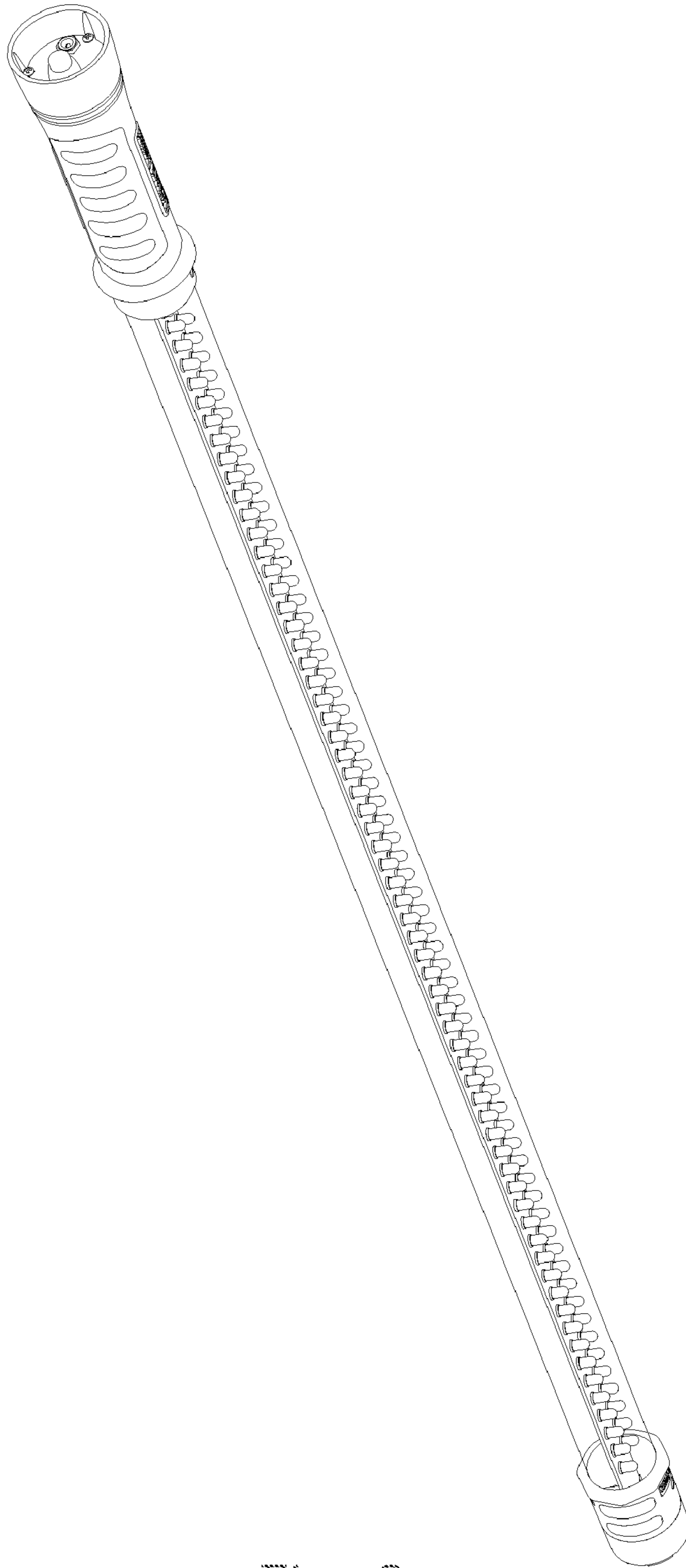


Fig. 8

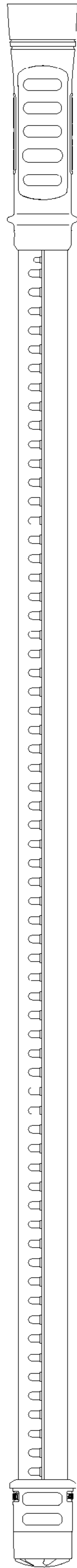


Fig. 9

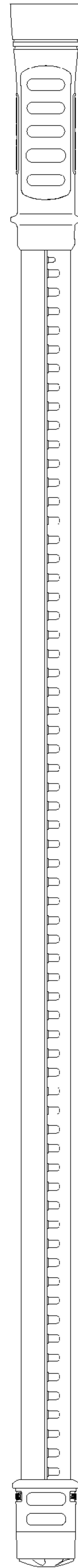


Fig. 10

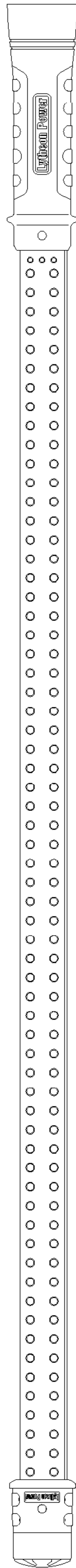


Fig. 11

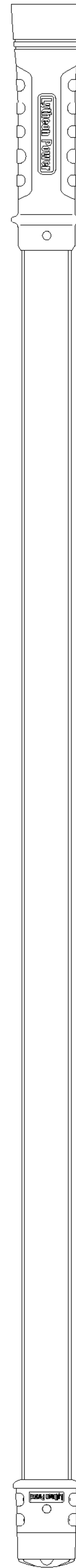
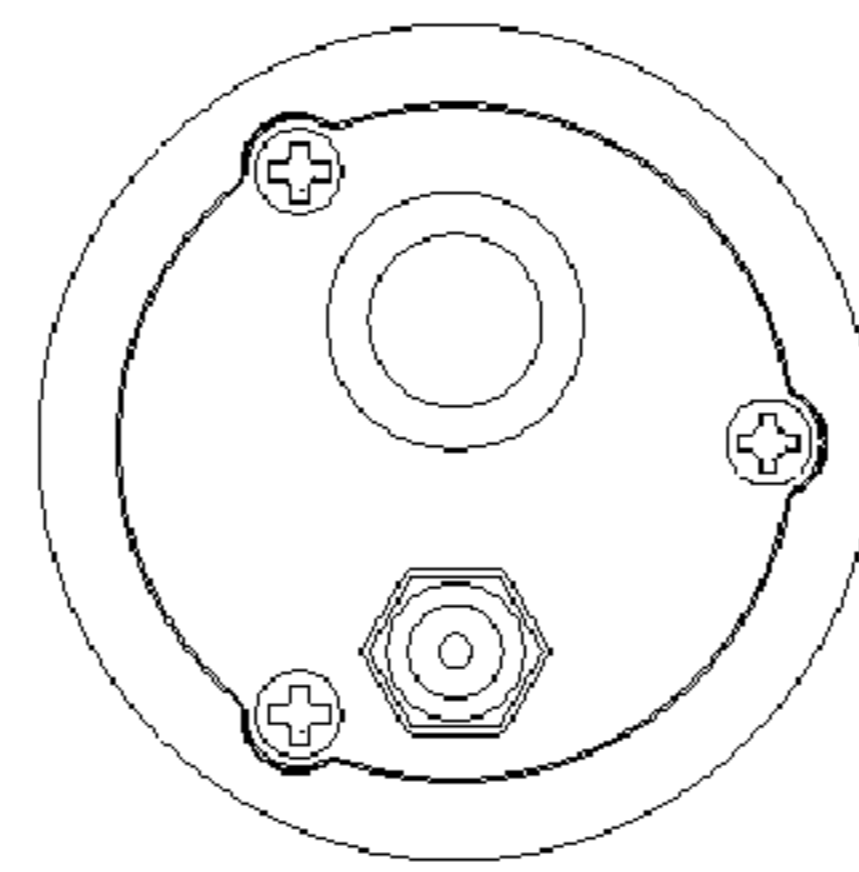
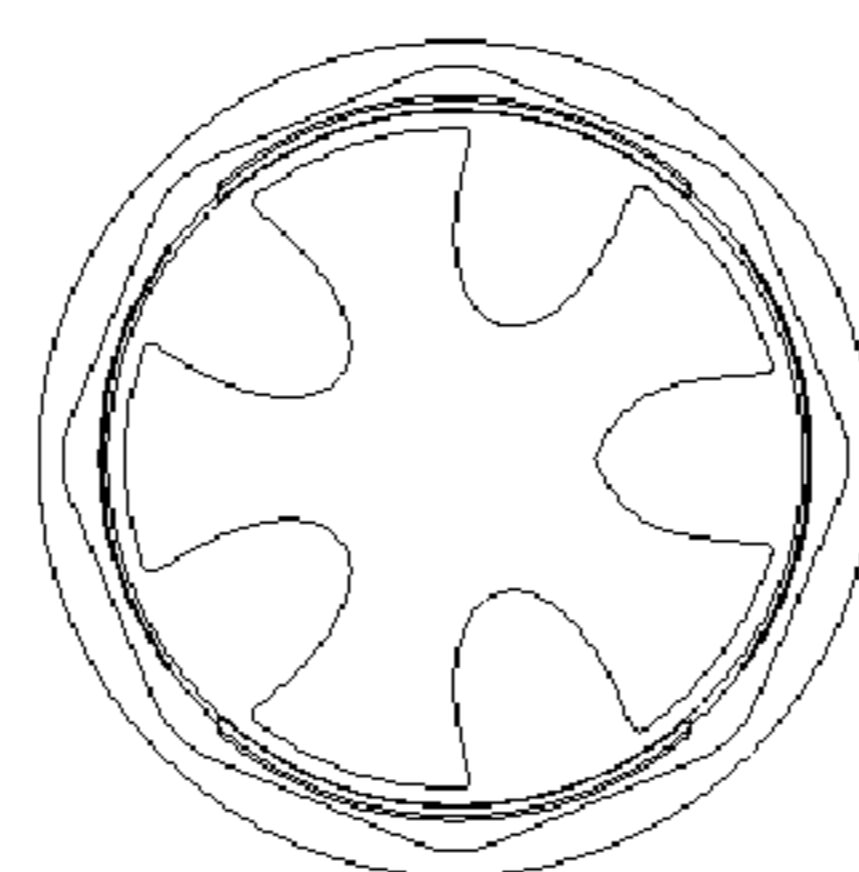


Fig. 12





*Fig. 13*



*Fig. 14*

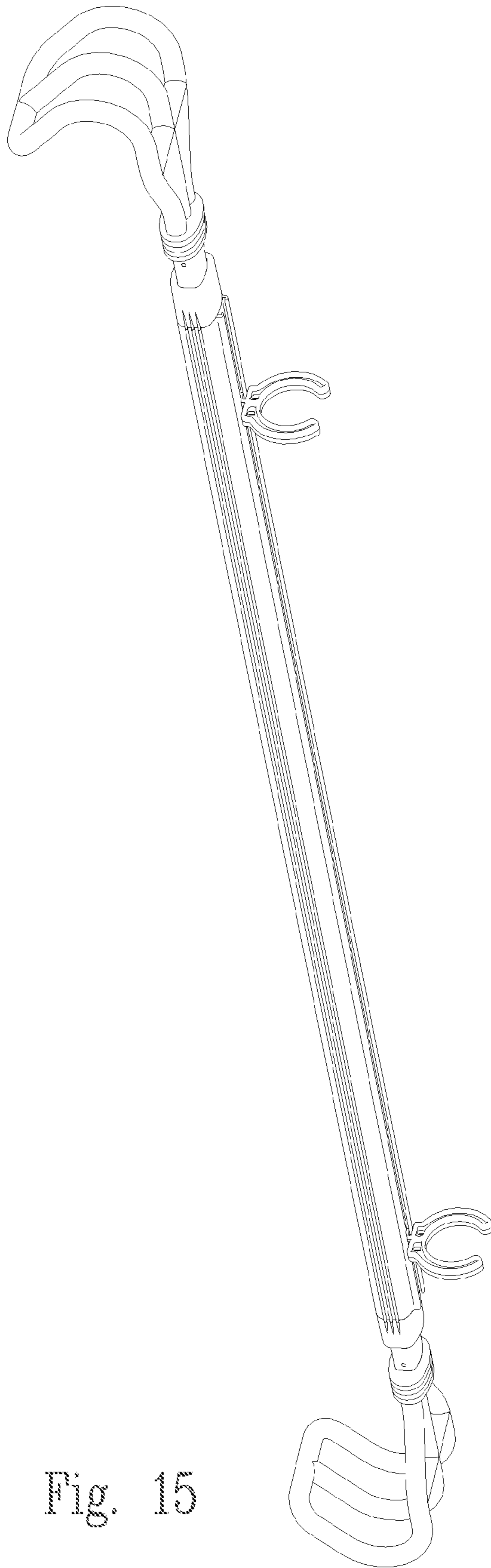


Fig. 15

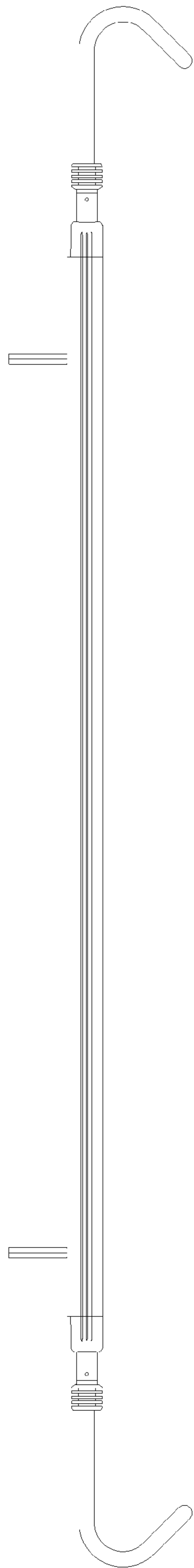


Fig. 16

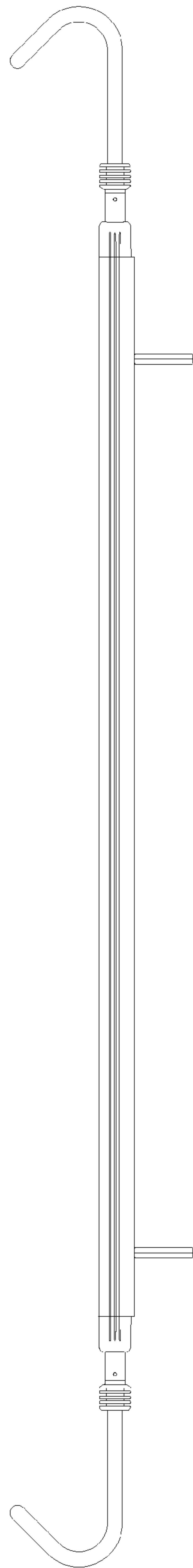


Fig. 17

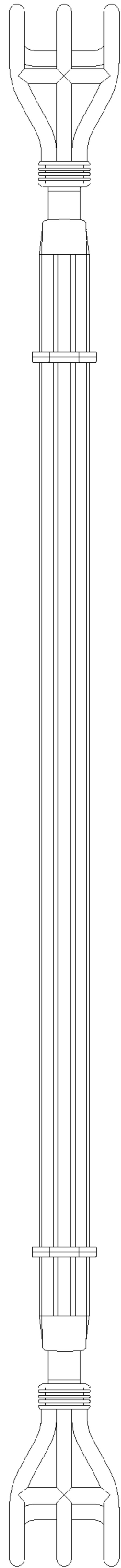


Fig. 18

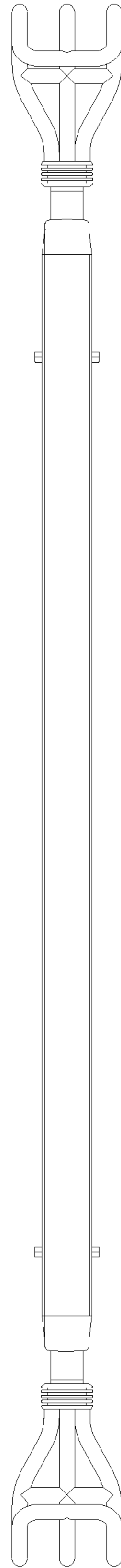


Fig. 19

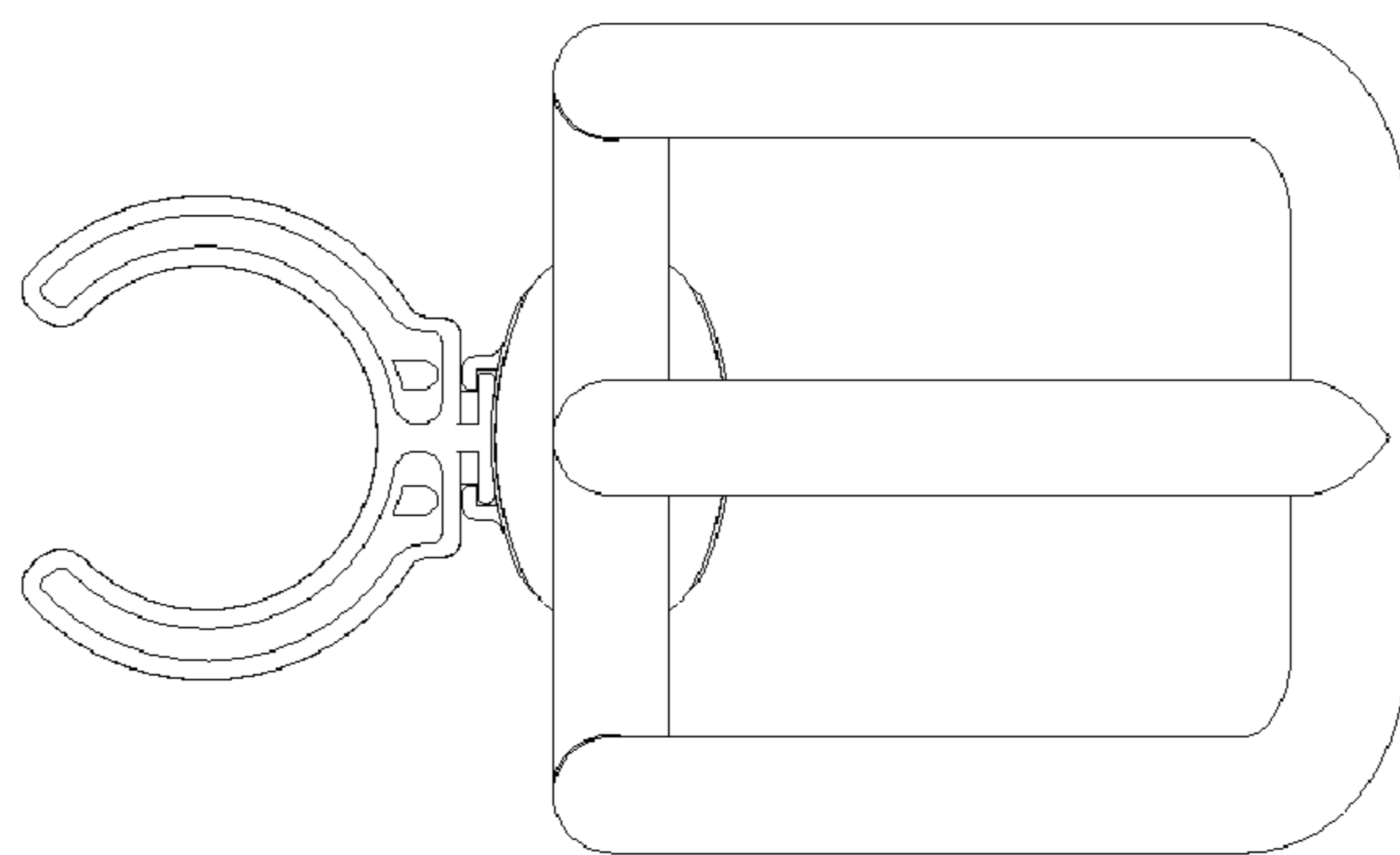


Fig. 20

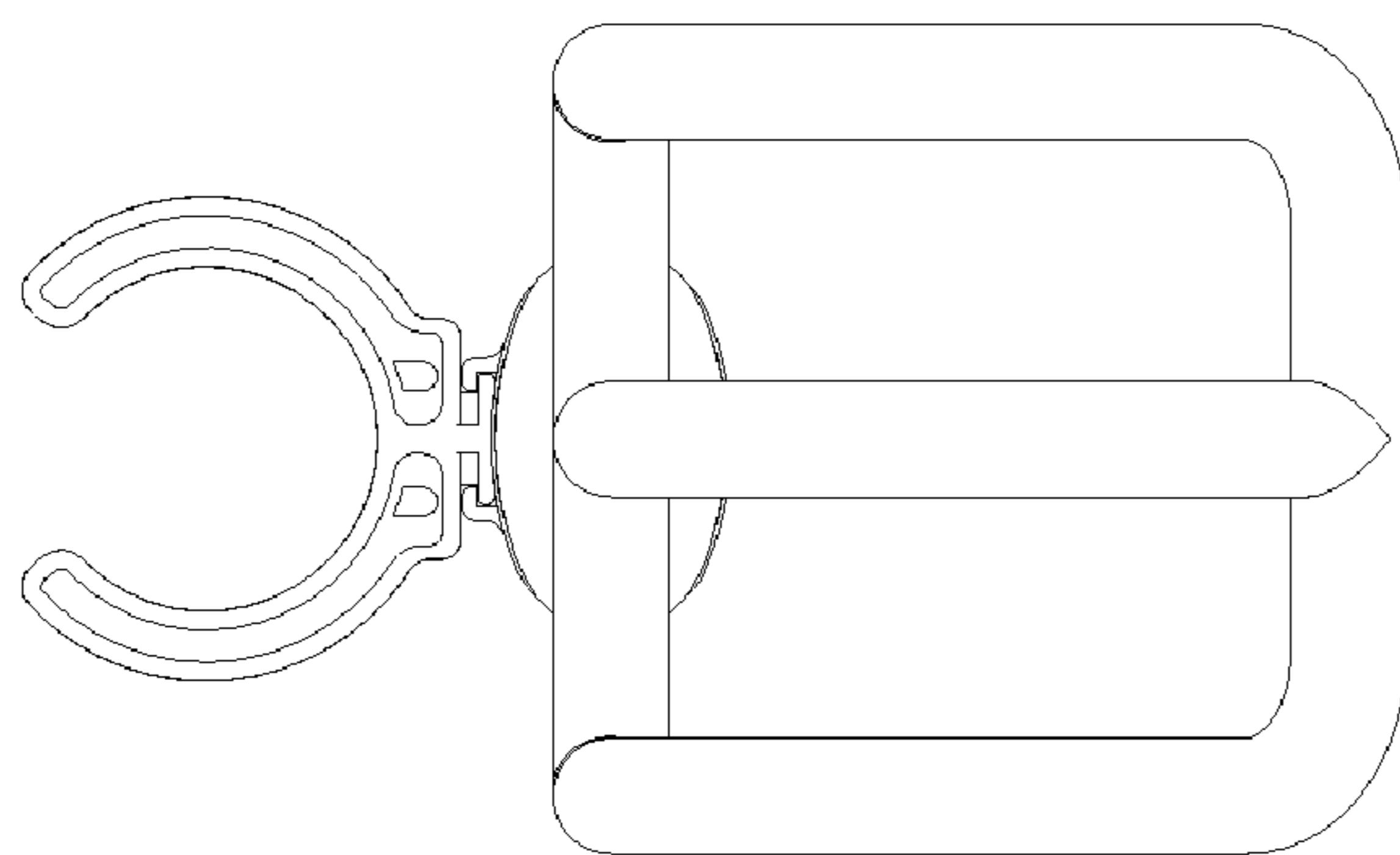


Fig. 21