

US00D544976S

(12) **United States Design Patent**  
**Lui**

(10) **Patent No.:** **US D544,976 S**

(45) **Date of Patent:** **\*\* Jun. 19, 2007**

(54) **FLASHLIGHT**

2005/0231941 A1\* 10/2005 Huang ..... 362/208

(75) Inventor: **Wing Kit Lui**, Kowloon (HK)

\* cited by examiner

(73) Assignee: **Eric Beare Associates Ltd.**, Kowloon (HK)

*Primary Examiner*—Ian Simmons

*Assistant Examiner*—Carissa Fitts

(74) *Attorney, Agent, or Firm*—Perkins Coie LLP

(\*\*) Term: **14 Years**

(21) Appl. No.: **29/247,929**

(57) **CLAIM**

(22) Filed: **Jul. 20, 2006**

The ornamental design for a flashlight, as shown in the drawings.

(51) **LOC (8) Cl.** ..... **26-02**

(52) **U.S. Cl.** ..... **D26/46; D26/37**

(58) **Field of Classification Search** ..... D26/37,  
D26/41, 43, 44, 46, 48, 49, 50; 362/157,  
362/158, 200, 208

See application file for complete search history.

**DESCRIPTION**

(56) **References Cited**

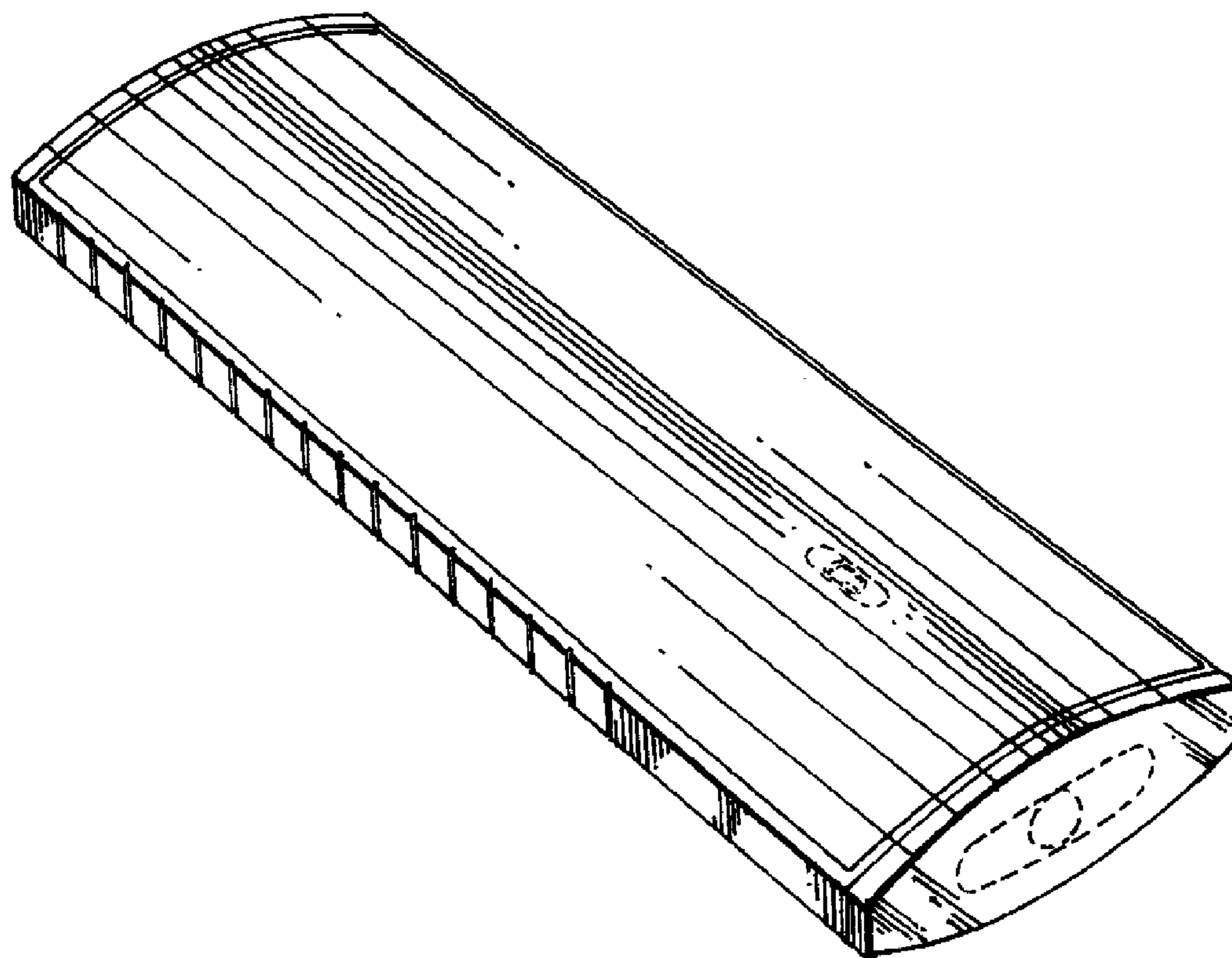
**U.S. PATENT DOCUMENTS**

D239,198 S *	3/1976	Nau	.....	D26/46
D261,052 S *	9/1981	Henkels	.....	D26/46
D277,415 S *	1/1985	Berger	.....	D26/46
D288,724 S *	3/1987	Yakubek	.....	D26/46
D311,067 S *	10/1990	Chabria	.....	D26/46
D336,688 S *	6/1993	Osterhout	.....	D26/46
D343,469 S *	1/1994	Yuen	.....	D26/46
D355,272 S *	2/1995	Chabria	.....	D26/46
D356,174 S *	3/1995	Lo	.....	D26/46
D395,720 S *	6/1998	Galli	.....	D26/37

FIG. 1 is a front, top and right side perspective view.  
 FIG. 2 is a front, bottom and left side perspective view.  
 FIG. 3 is a back, top and right side perspective view.  
 FIG. 4 is a back, bottom and left side perspective view.  
 FIG. 5 is a left side view.  
 FIG. 6 is a top view.  
 FIG. 7 is a right side view.  
 FIG. 8 is a bottom view.  
 FIG. 9 is a front end view; and,  
 FIG. 10 is a back end view.

The broken line showing is for illustrative purposes only and forms no part of the claimed design.

**1 Claim, 3 Drawing Sheets**



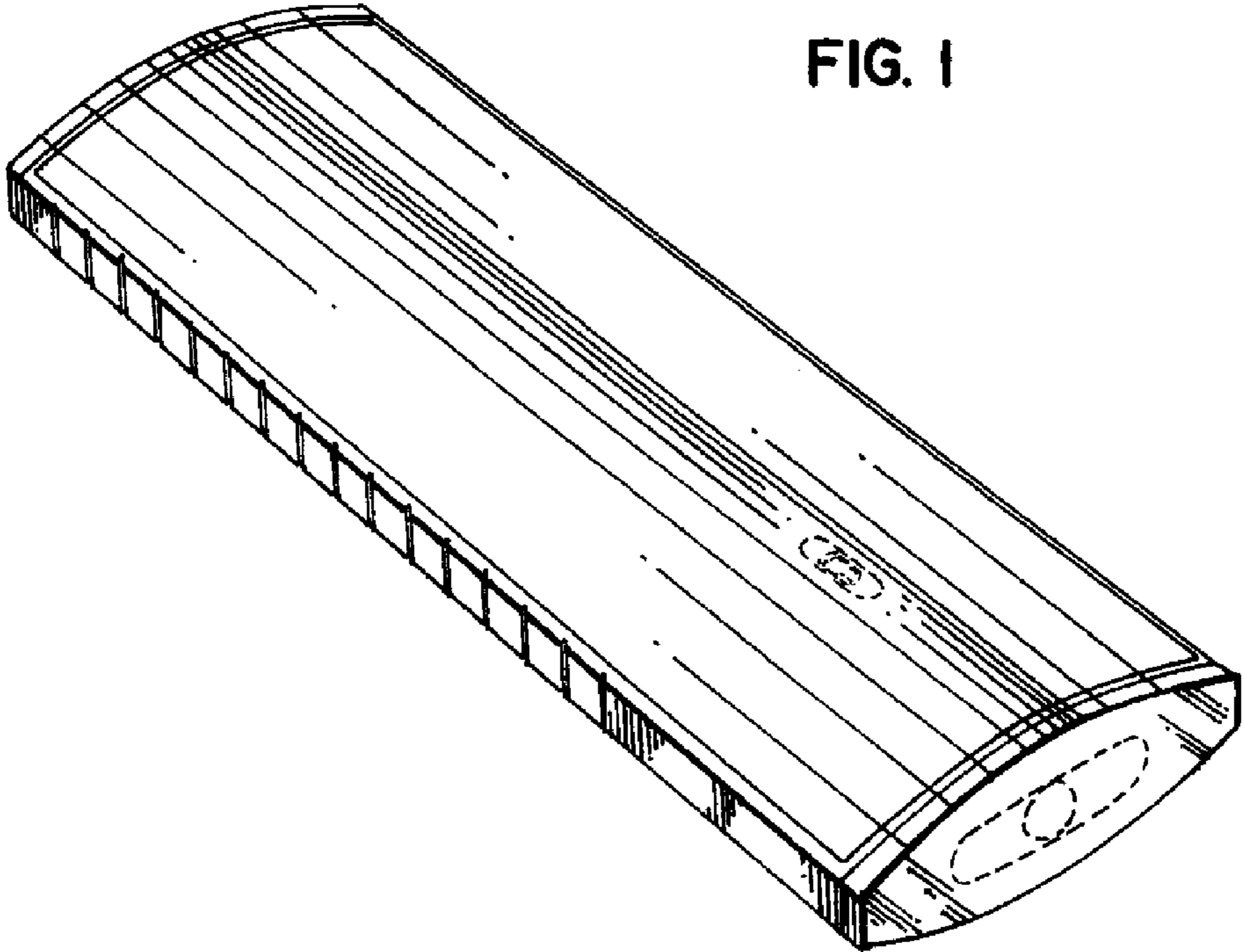


FIG. 1

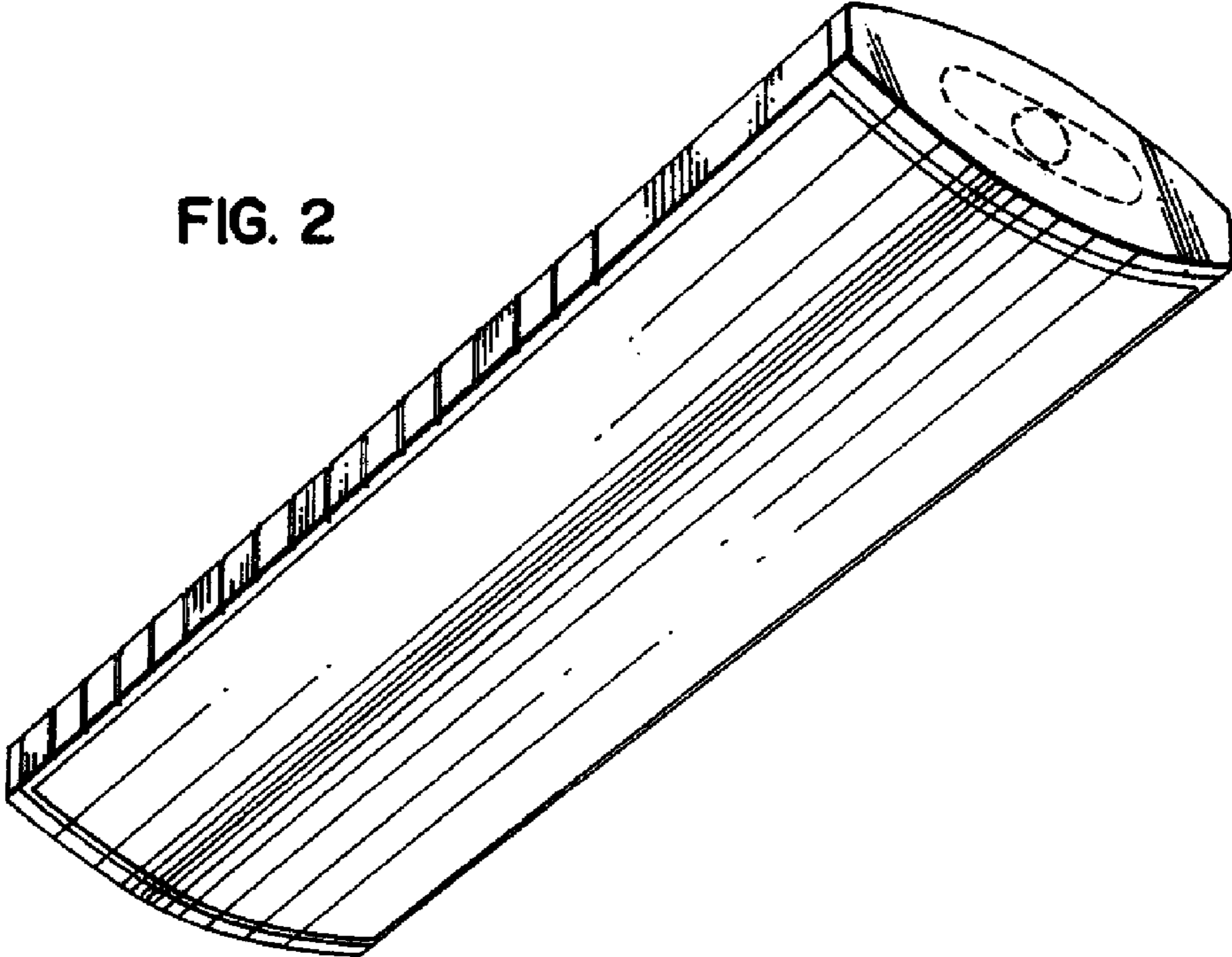
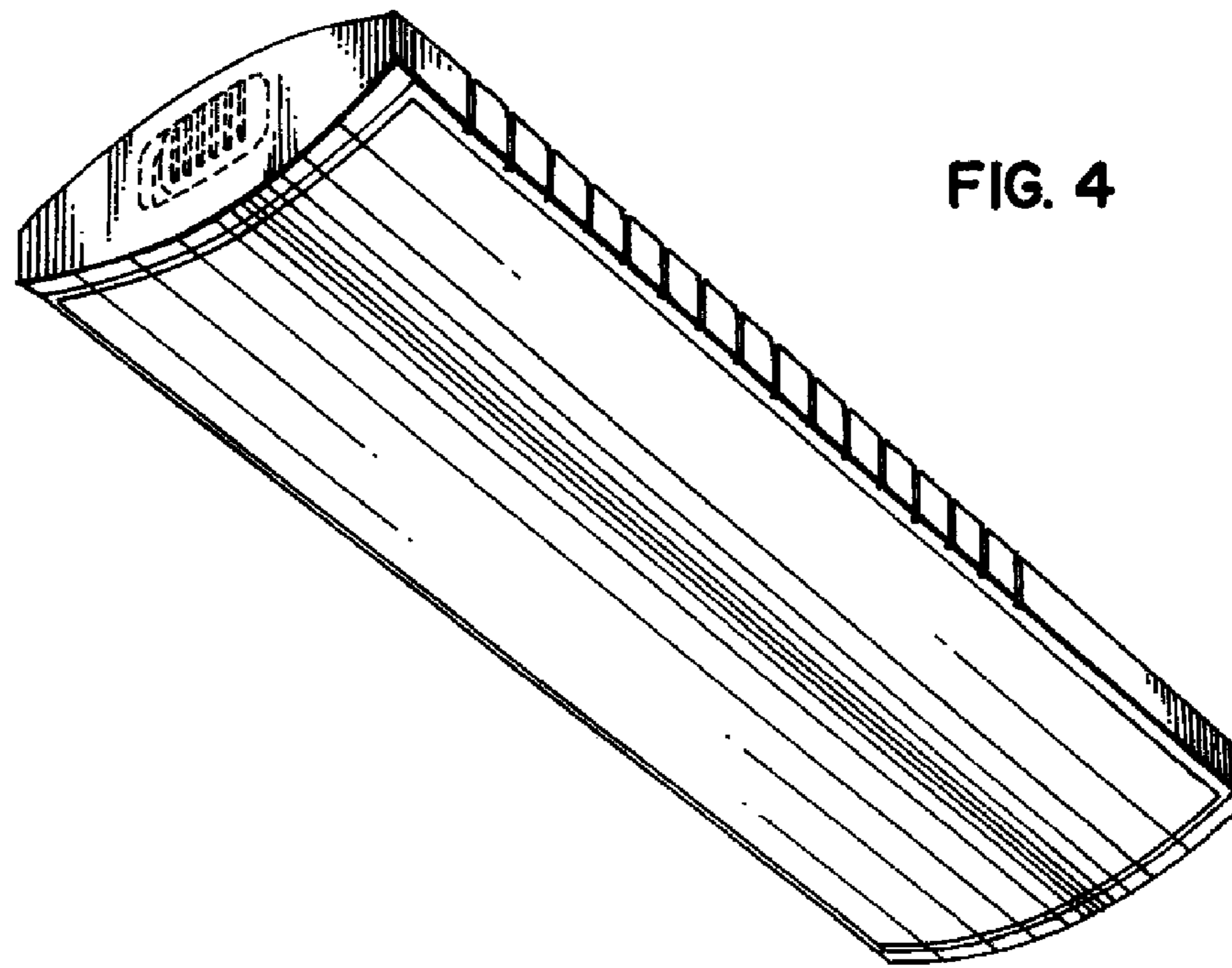
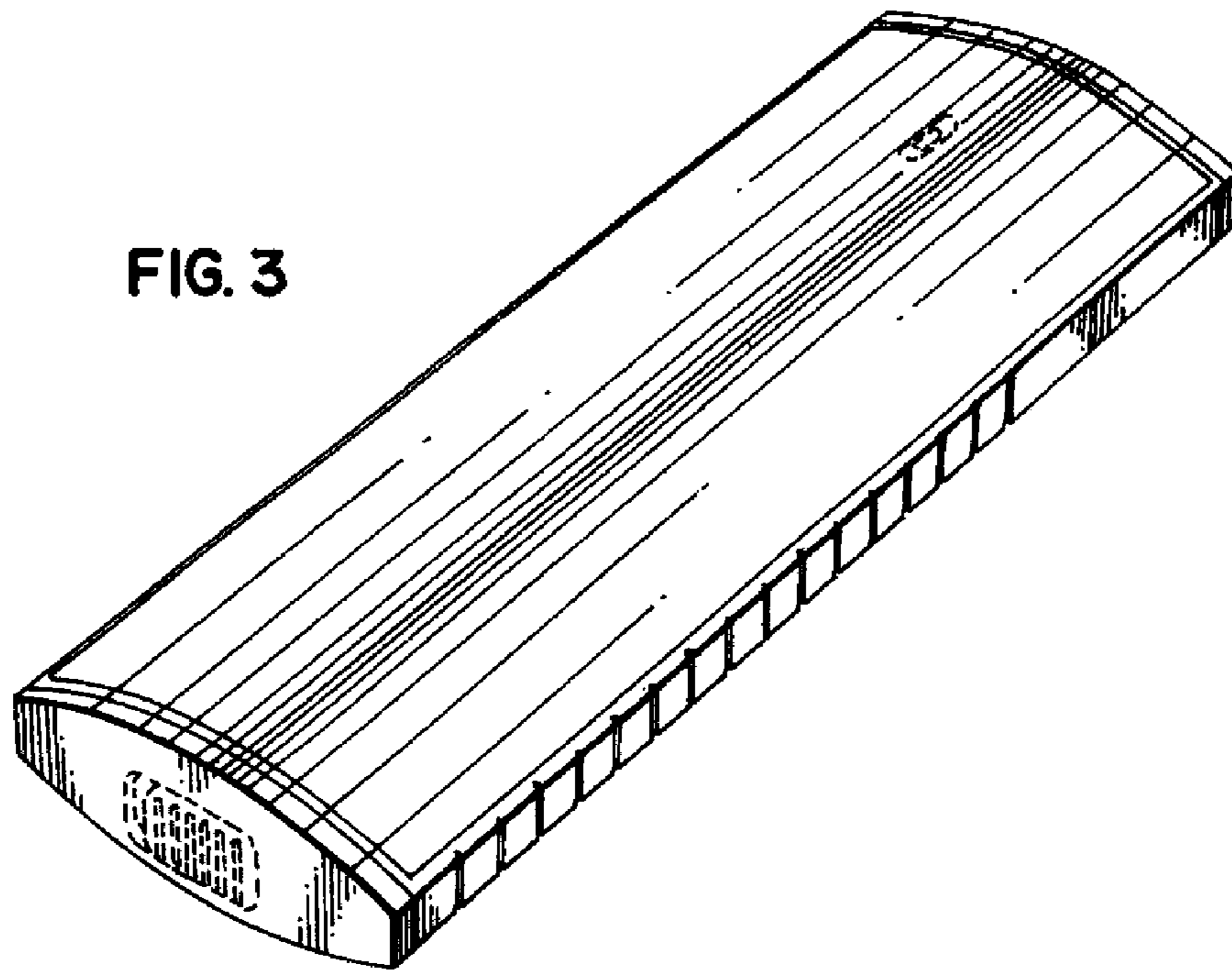


FIG. 2



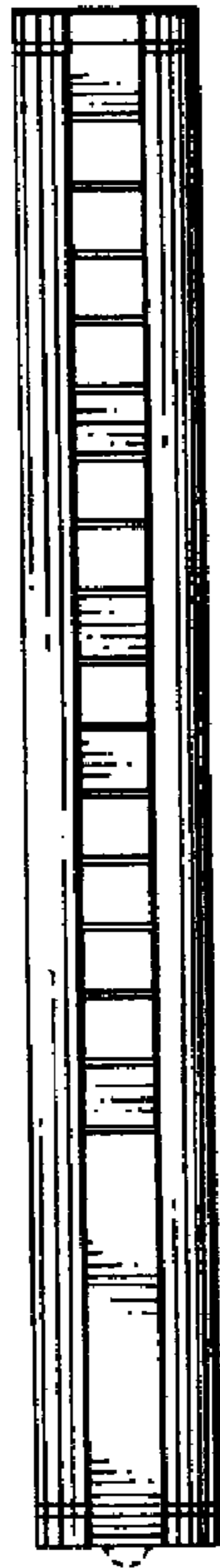


FIG. 5

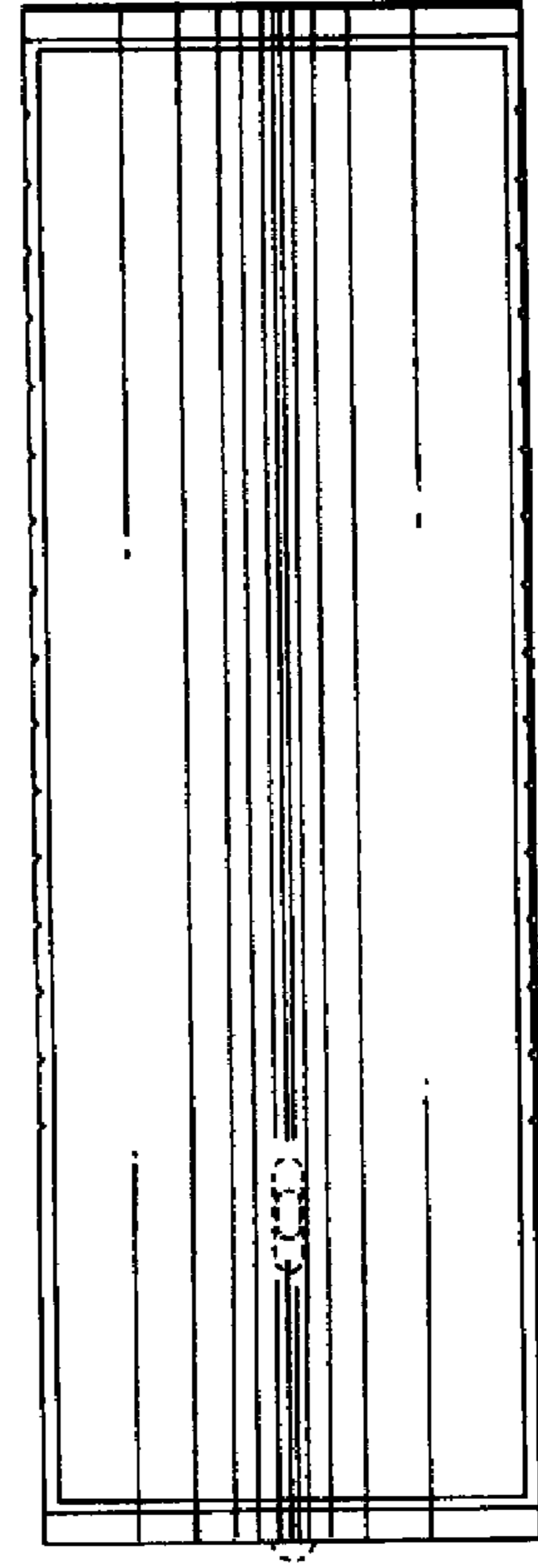


FIG. 6



FIG. 10



FIG. 7

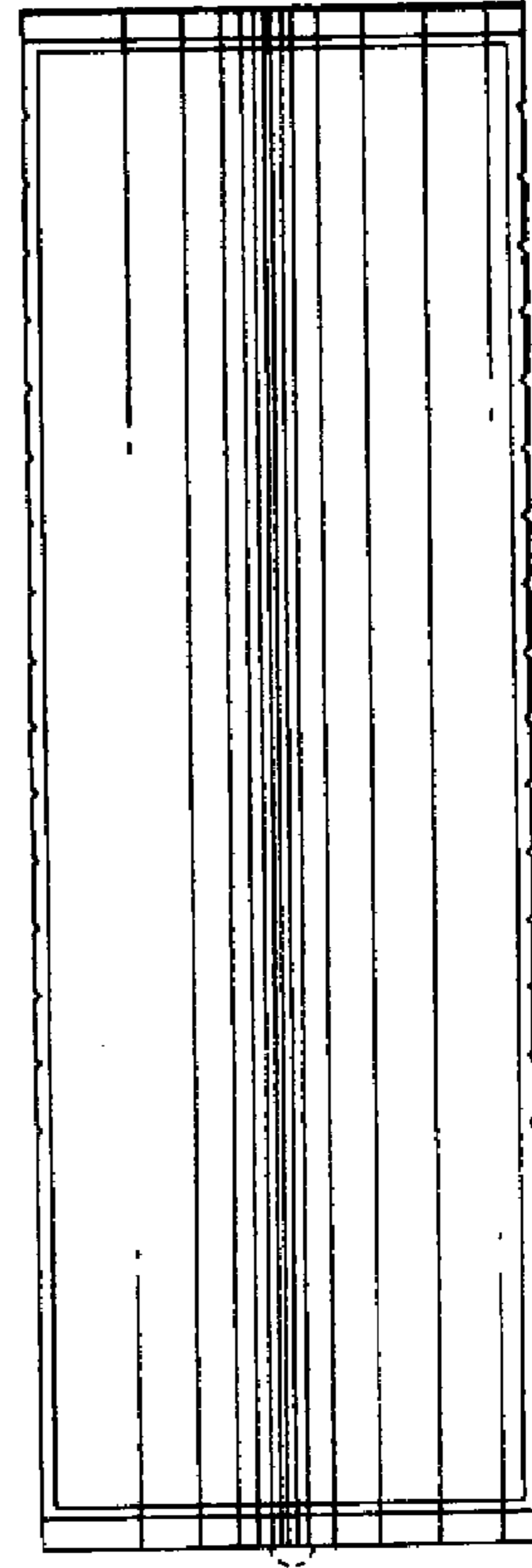


FIG. 8

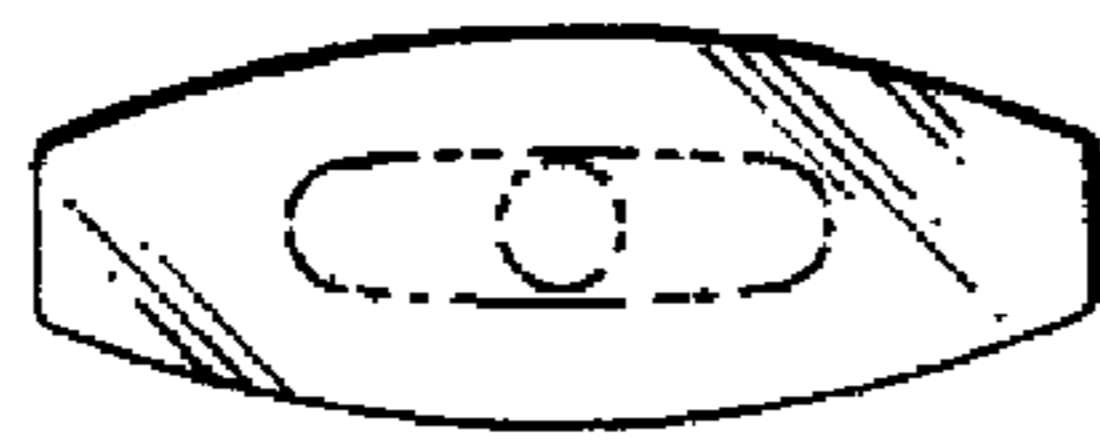


FIG. 9