

US00D544972S

(12) **United States Design Patent**  
**Coushaine**

(10) **Patent No.:** **US D544,972 S**  
(45) **Date of Patent:** **\*\* Jun. 19, 2007**

(54) **PORTABLE LAMP**

(75) Inventor: **Charles M. Coushaine**, Rindge, NH  
(US)

(73) Assignee: **Osram Sylvania, Inc.**, Danvers, MA  
(US)

(\*\*) Term: **14 Years**

(21) Appl. No.: **29/248,424**

(22) Filed: **Aug. 15, 2006**

**Related U.S. Application Data**

(63) Continuation of application No. 29/235,674, filed on  
Aug. 4, 2005.

(51) **LOC (8) Cl.** ..... **26-02**

(52) **U.S. Cl.** ..... **D26/37**

(58) **Field of Classification Search** ..... D26/80,  
D26/93, 36, 40, 65, 74, 104, 128, 24, 51,  
D26/72, 118, 120, 124, 35, 39, 37, 49, 85,  
D26/86, 102, 108, 112, 152; D13/179, 180;  
D10/114, 115, 116; 362/640, 352, 362, 331,  
362/611, 612, 613, 11, 186, 641, 644, 267,  
362/334, 335, 340, 350, 363, 517, 189, 173,  
362/184, 200, 243, 800, 321, 241

See application file for complete search history.

(56) **References Cited**

**U.S. PATENT DOCUMENTS**

- D99,105 S 3/1936 Arenberg
- D104,233 S 4/1937 Arenberg
- D128,125 S 5/1941 Rutledge
- D215,481 S 10/1969 Dawson
- D341,441 S 11/1993 Shapiro
- D341,442 S 11/1993 Shapiro
- D431,307 S 9/2000 Zelina, Jr. et al.
- D443,713 S \* 6/2001 Benensohn ..... D26/72

- D445,927 S \* 7/2001 Shiu ..... D26/37
- D447,586 S \* 9/2001 Shing ..... D26/39
- 6,288,498 B1 9/2001 Cheng
- 6,485,160 B1 \* 11/2002 Sommers et al. .... 362/184
- D475,798 S \* 6/2003 Galli ..... D26/37
- D475,802 S 6/2003 Homann
- D476,105 S 6/2003 Alsobrook
- D482,486 S 11/2003 Demers
- 6,641,283 B1 11/2003 Bohler
- D484,270 S 12/2003 Yiu
- 6,814,464 B2 \* 11/2004 Galli ..... 362/184
- 6,840,654 B2 \* 1/2005 Guerrieri et al. .... 362/241
- D506,560 S \* 6/2005 Oas ..... D26/39
- D523,982 S \* 6/2006 Doong ..... D26/49
- 2006/0176703 A1 8/2006 Cayton et al.
- 2006/0250789 A1 \* 11/2006 Coushaine ..... 362/157

\* cited by examiner

*Primary Examiner*—Ian Simmons

*Assistant Examiner*—Carissa Fitts

(74) *Attorney, Agent, or Firm*—Sterne, Kessler, Goldstein &  
Fox P.L.L.C

(57) **CLAIM**

The ornamental design for a portable lamp, as shown and  
described.

**DESCRIPTION**

FIG. 1 is a perspective view of a portable lamp showing a  
new design;

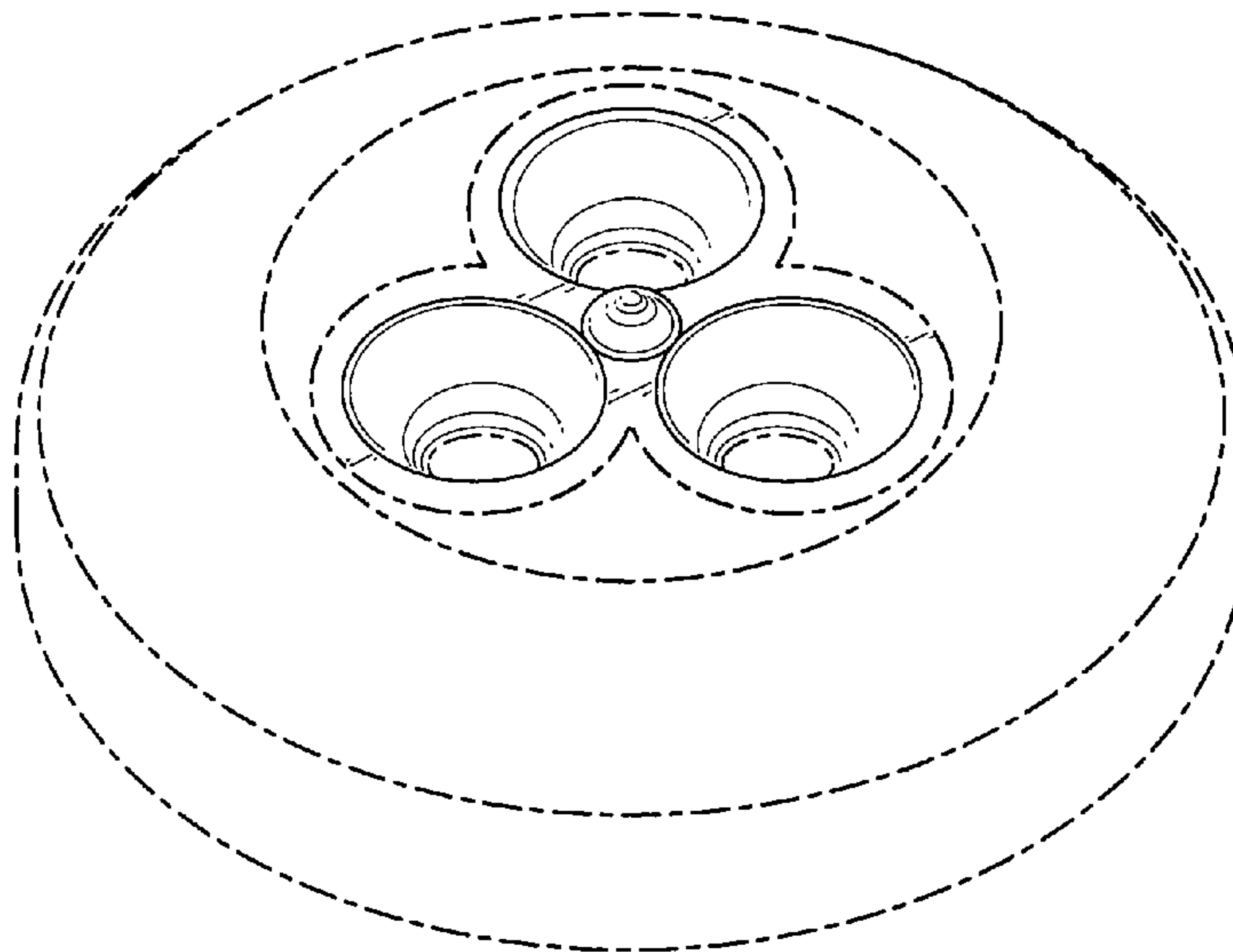
FIG. 2 is a top view thereof;

FIG. 3 is a perspective view of a another embodiment of the  
present invention; and,

FIG. 4 is a top view thereof.

The broken line showing is included for the purpose of  
illustrating only and forms no part of the claimed design.

**1 Claim, 4 Drawing Sheets**



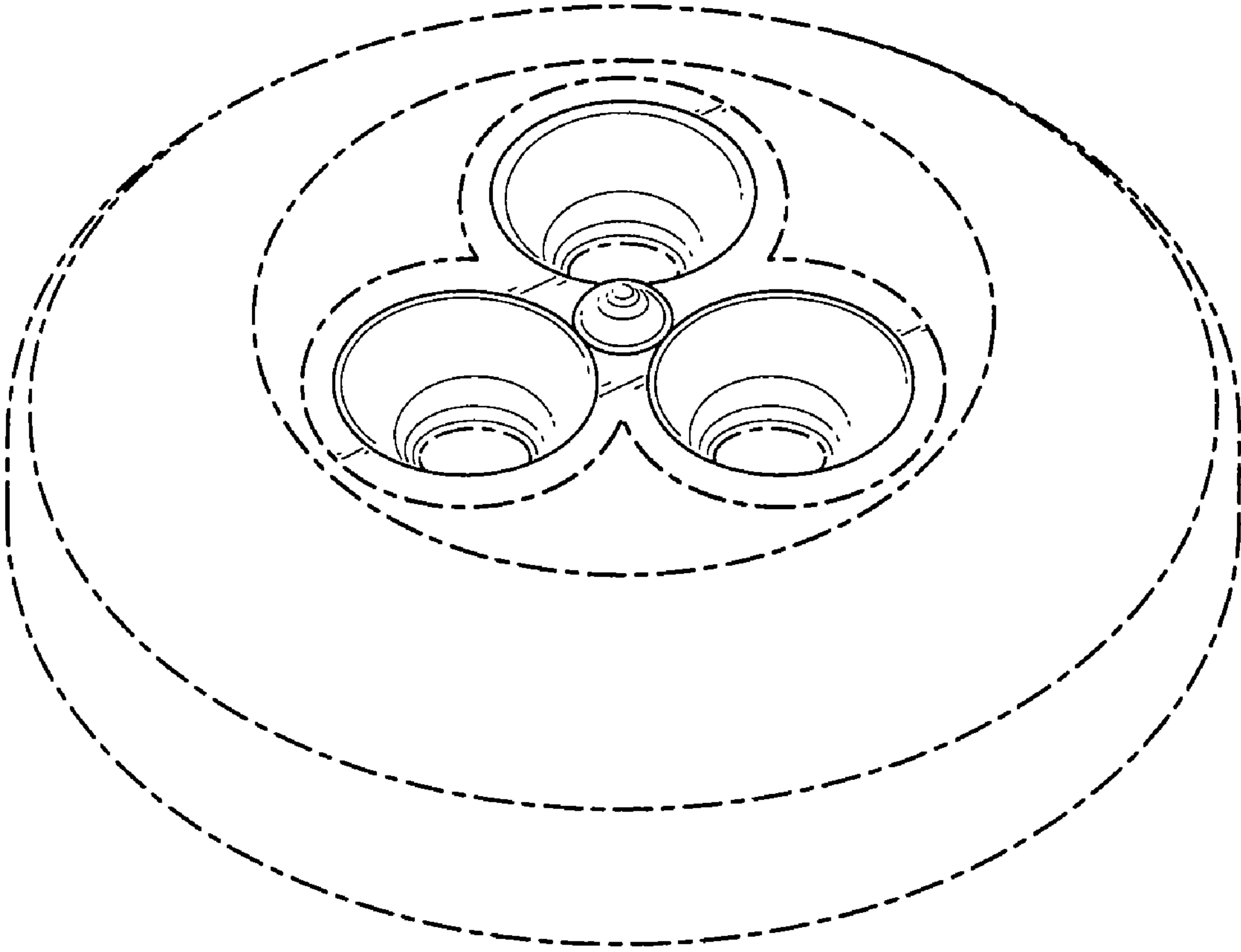


FIG. 1

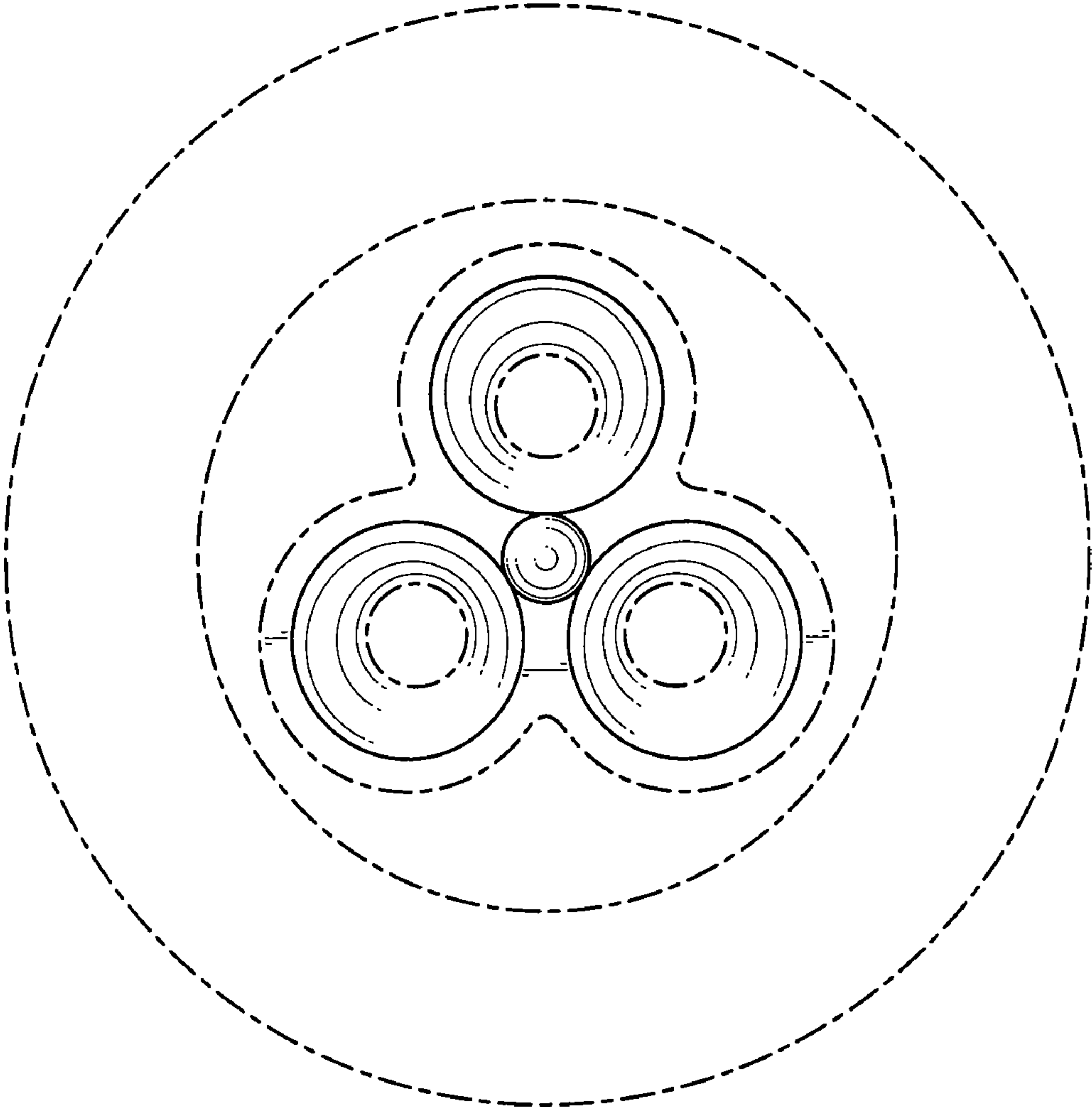


FIG. 2

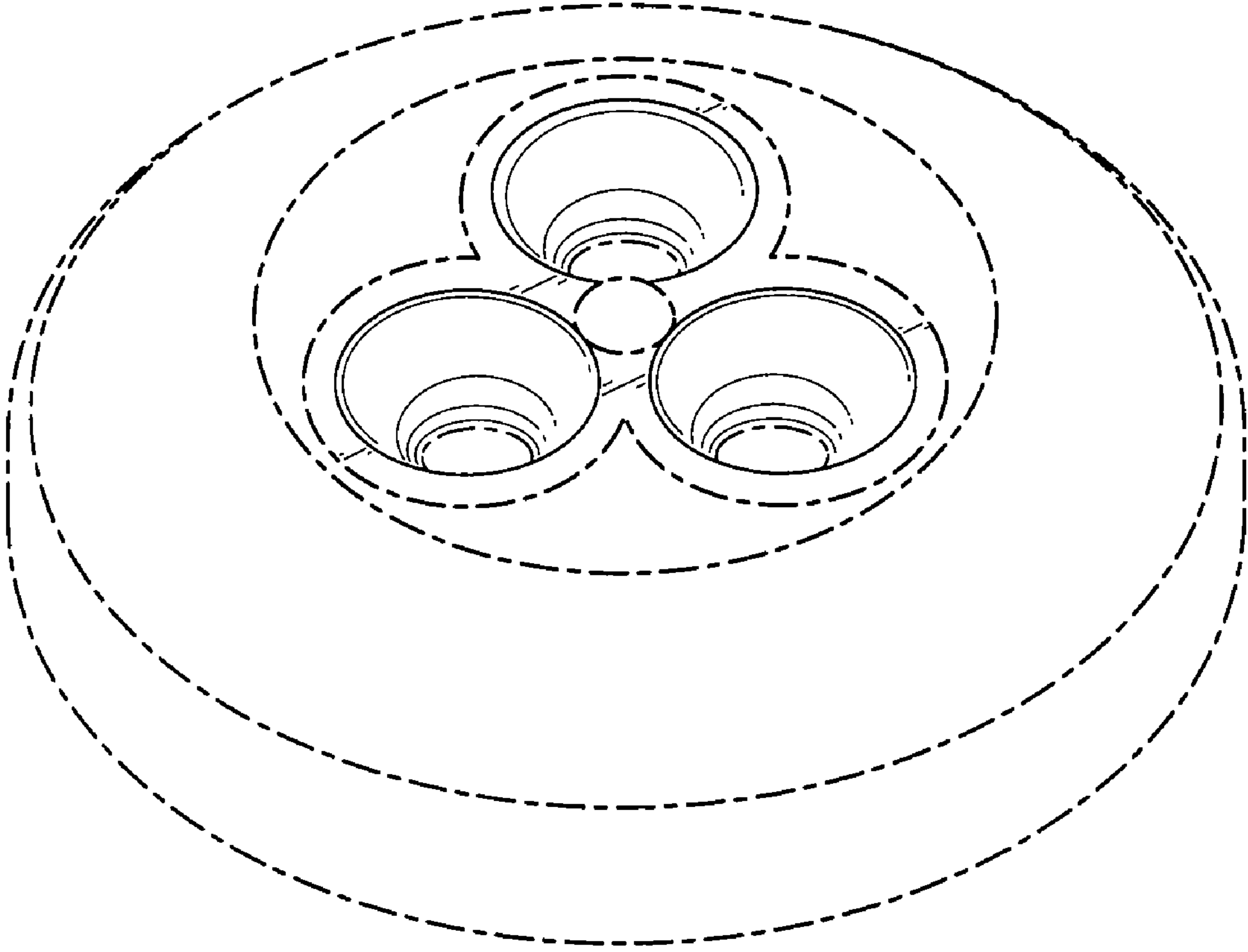


FIG. 3

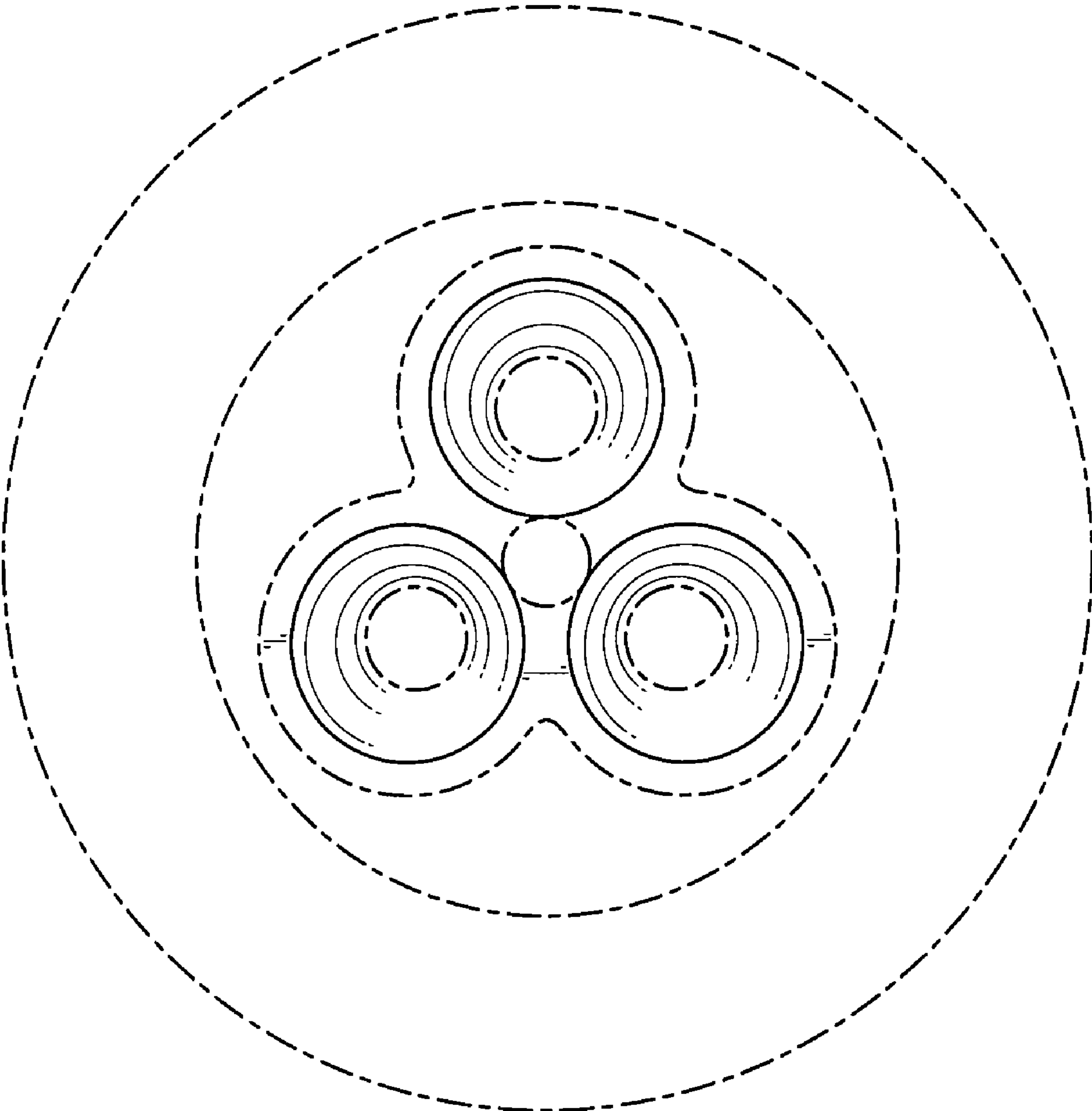


FIG. 4