

US00D544967S

(12) **United States Design Patent**
Seiling et al.

(10) **Patent No.:** **US D544,967 S**

(45) **Date of Patent:** **** Jun. 19, 2007**

(54) **VINYL FENCE RAIL**

(75) Inventors: **Kevin A. Seiling**, Monaca, PA (US);
Eric Matthew Eisenhuth, East Butler,
PA (US)

(73) Assignee: **Veka, Inc.**, Fombell, PA (US)

(**) Term: **14 Years**

(21) Appl. No.: **29/247,850**

(22) Filed: **Jul. 17, 2006**

(51) **LOC (8) Cl.** **25-01**

(52) **U.S. Cl.** **D25/122**

(58) **Field of Classification Search** D25/38,
D25/43, 44, 39, 122; 52/65.01, 59, 68, 72,
52/65.02, 65.04, 65.08, 65.11, 65.15, 65.16
See application file for complete search history.

(56) **References Cited**

U.S. PATENT DOCUMENTS

2,855,227	A *	10/1958	Bottom	403/119
D200,702	S *	3/1965	Huret	D25/121
3,522,933	A *	8/1970	Braun	256/22
3,529,808	A *	9/1970	Siebers	256/65.08
3,942,763	A *	3/1976	Helterbrand et al.	256/22
5,187,912	A *	2/1993	Hsueh	52/36.5
D415,287	S *	10/1999	Davis	D25/38

D461,914	S *	8/2002	Hughes et al.	D25/122
D471,284	S *	3/2003	Heath	D25/38
D484,249	S *	12/2003	Michael et al.	D25/38
D497,432	S *	10/2004	Ohanesian	D25/38

* cited by examiner

Primary Examiner—Doris Clark

(74) *Attorney, Agent, or Firm*—Frederick L. Tolhurst, Esq.;
Cohen & Grigsby, P.C.

(57) **CLAIM**

We claim the ornamental design for a vinyl fence rail, as shown and described.

DESCRIPTION

FIG. 1 is a perspective view of the rail embodying our new design.

FIG. 2 is an end view of the rail shown in FIG. 1.

FIG. 3 is a side view of the rail shown in FIG. 1.

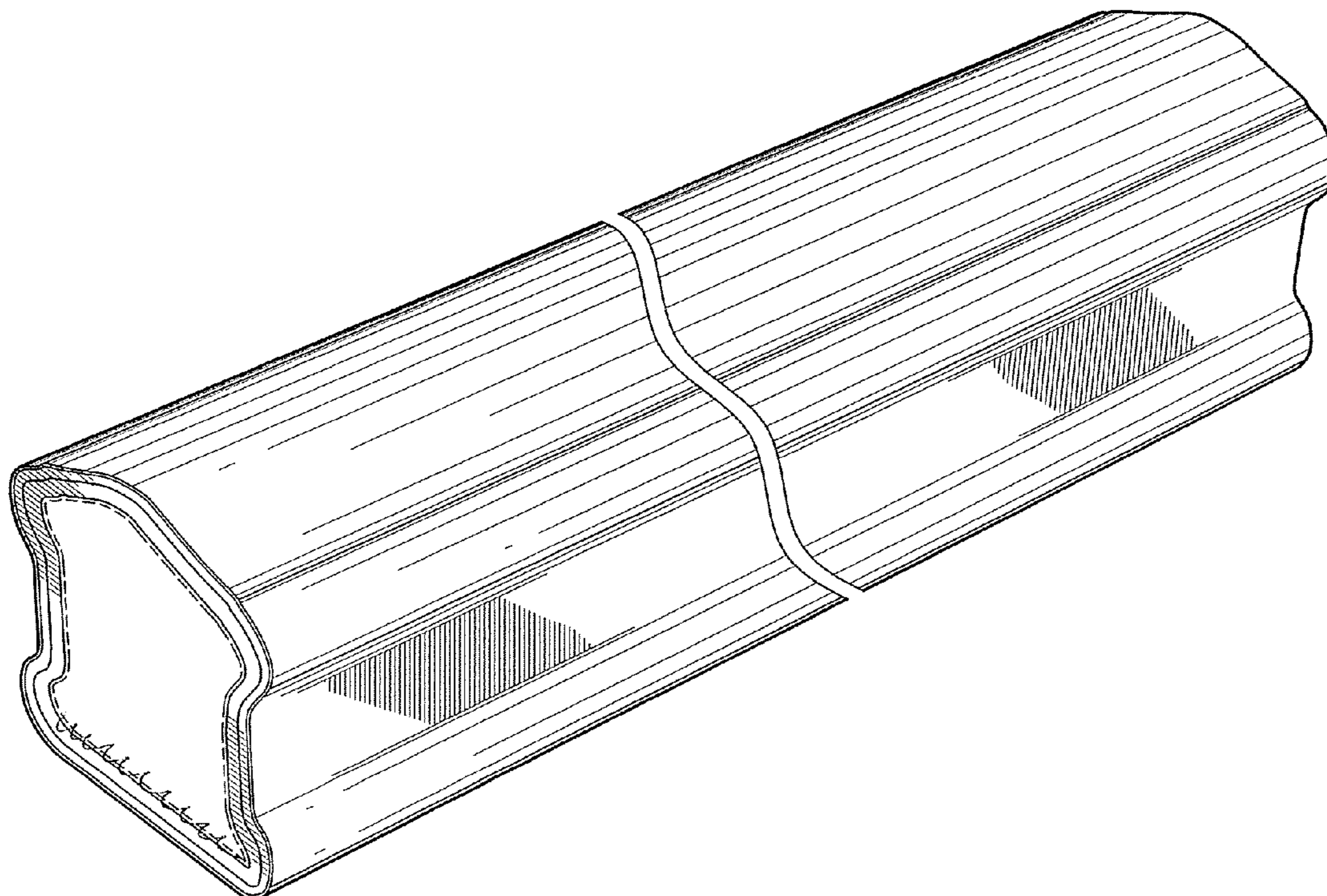
FIG. 4 is a top view of the rail shown in FIG. 1; and,

FIG. 5 is a bottom view of the rail shown in FIG. 1.

The vinyl fence rail has been broken in the center indicating indefinite length.

The broken lines are for illustrative purposes only and form no part of the claimed design.

1 Claim, 5 Drawing Sheets



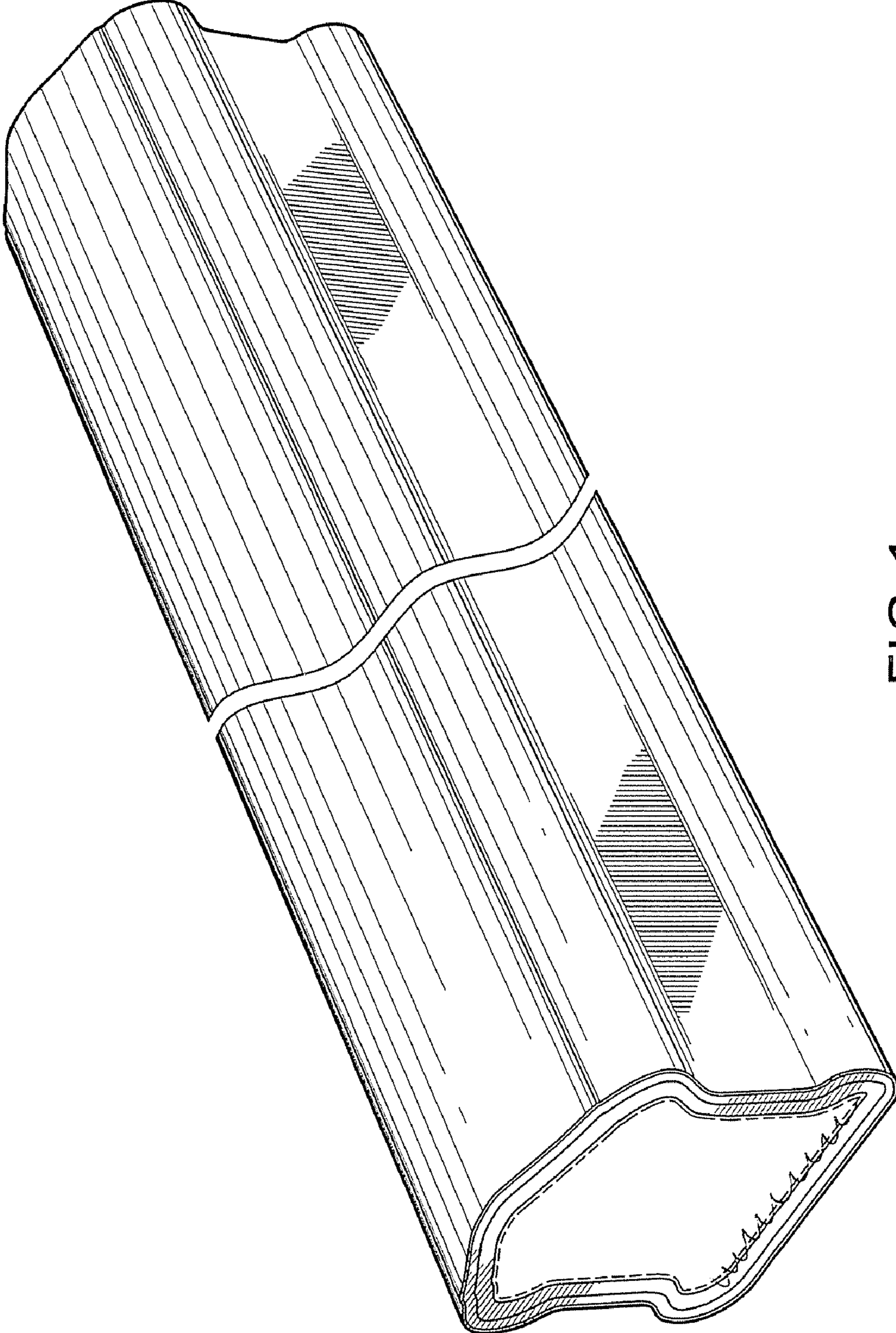


FIG. 1

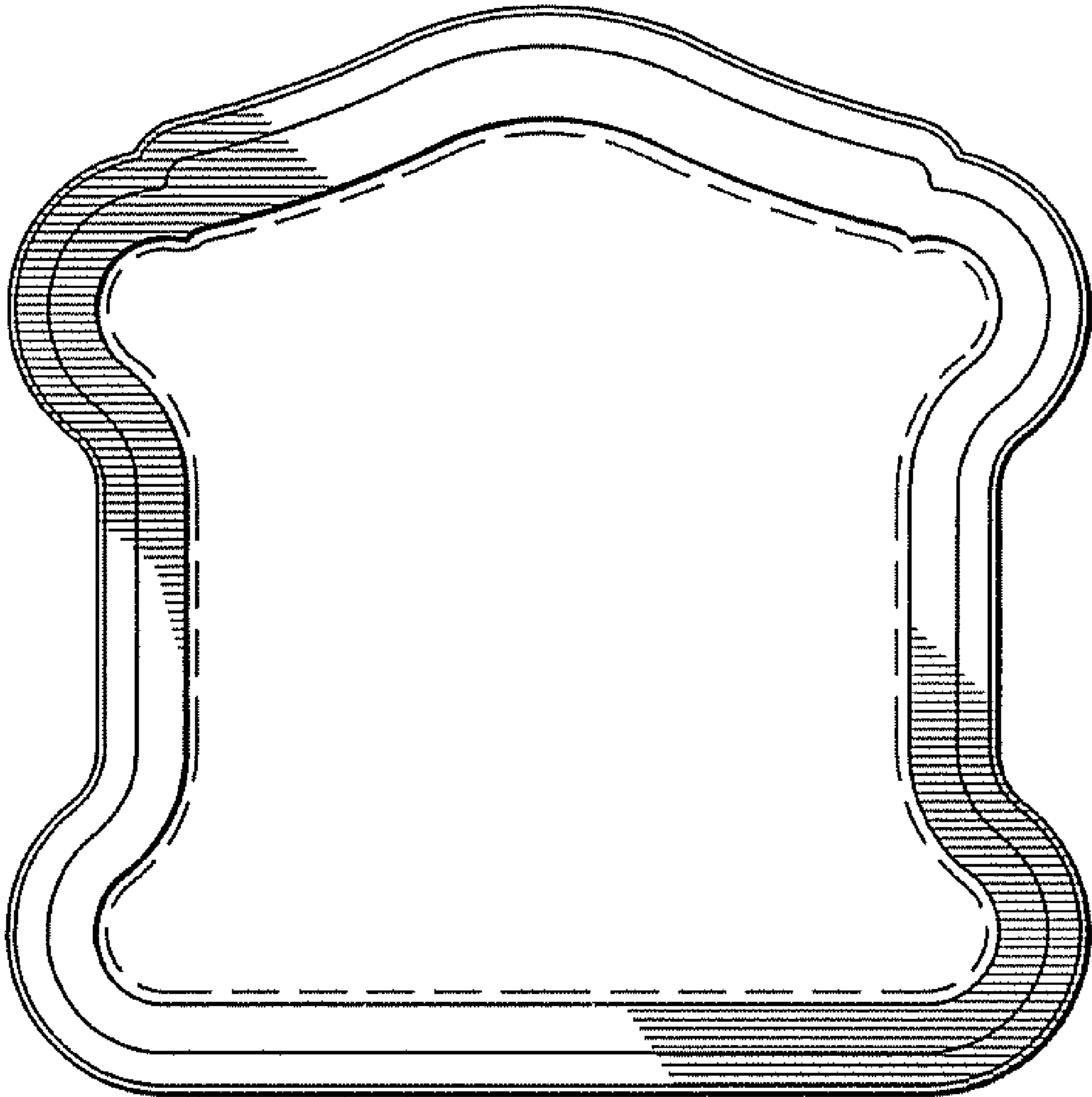


FIG. 2

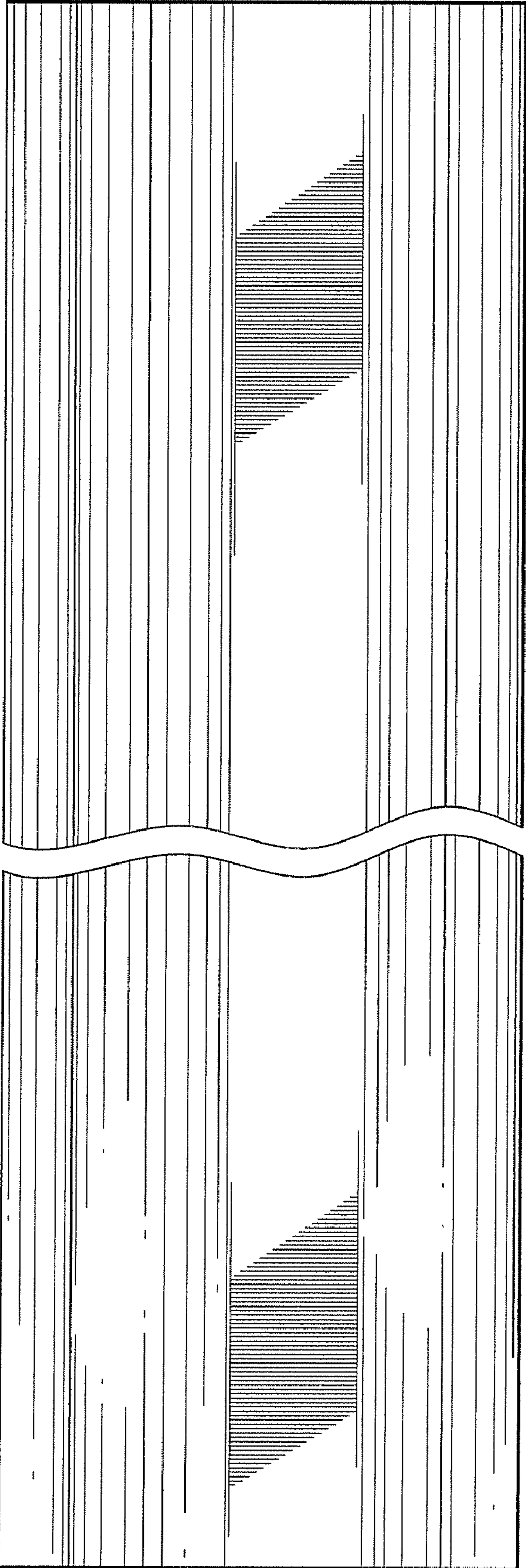


FIG. 3

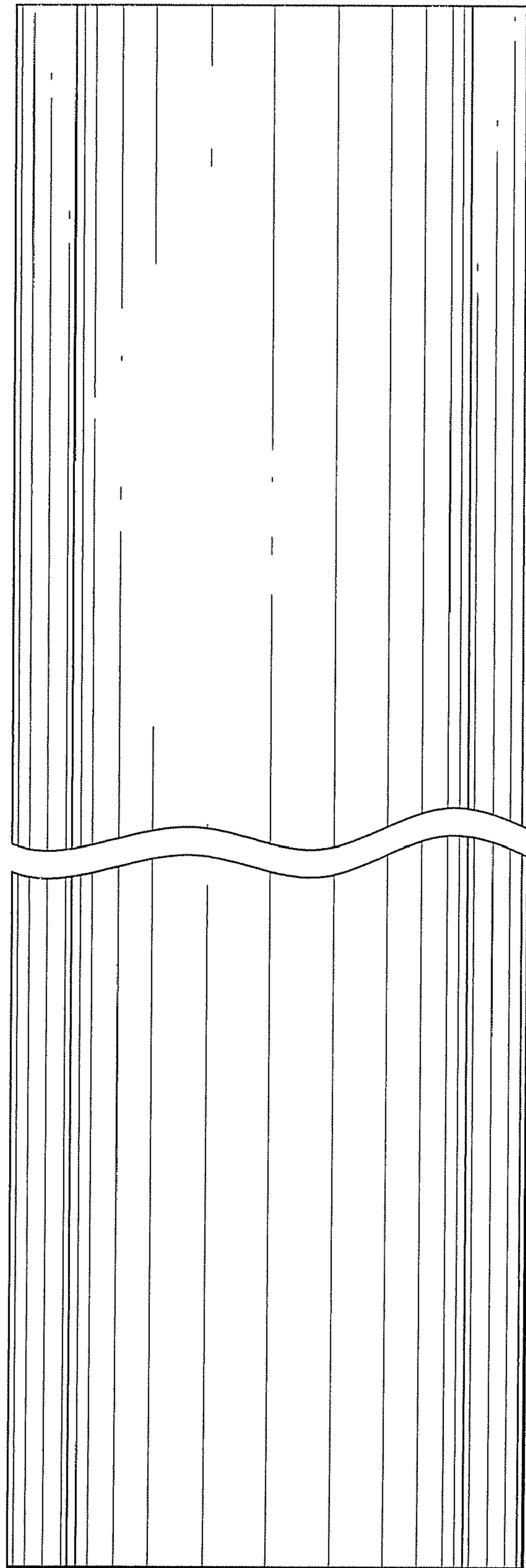


FIG.4

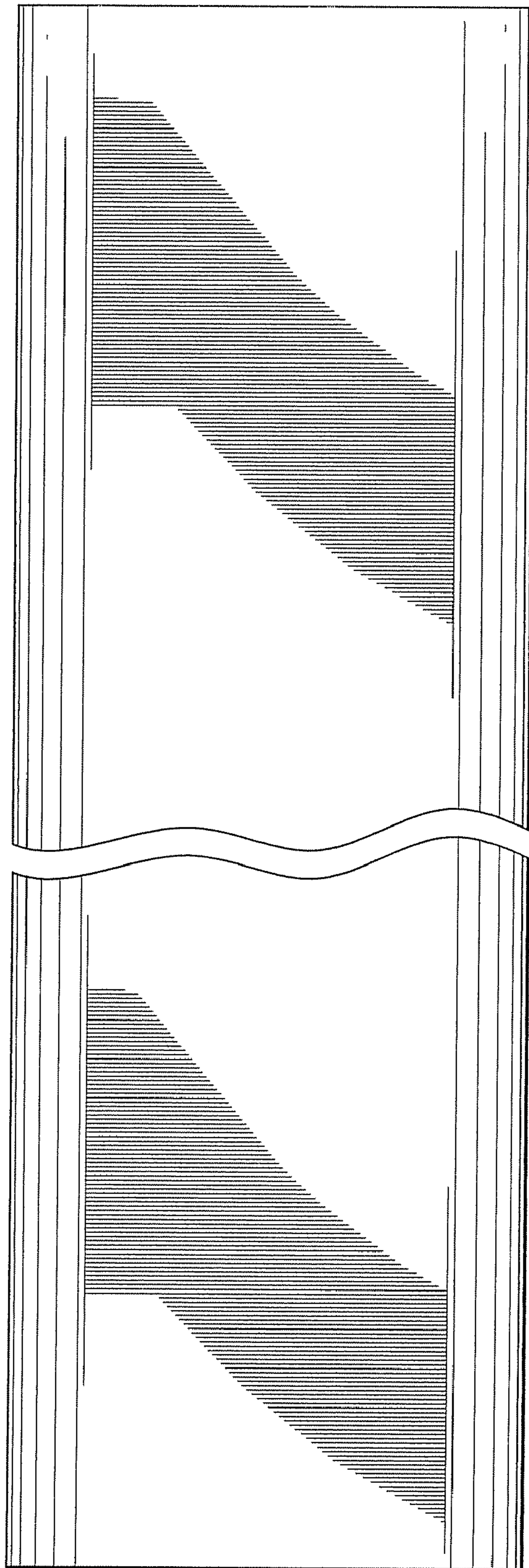


FIG. 5