



US00D544966S

(12) **United States Design Patent**
Seiling et al.

(10) **Patent No.:** **US D544,966 S**
(45) **Date of Patent:** **** Jun. 19, 2007**

(54) **VINYL FENCE RAIL**

(75) Inventors: **Kevin A. Seiling**, Monaca, PA (US);
Eric Matthew Eisenhuth, East Butler,
PA (US)

(73) Assignee: **Veka, Inc.**, Fombell, PA (US)

(**) Term: **14 Years**

(21) Appl. No.: **29/247,846**

(22) Filed: **Jul. 17, 2006**

(51) **LOC (8) Cl.** **25-01**

(52) **U.S. Cl.** **D25/122**

(58) **Field of Classification Search** D25/38,
D25/43, 44, 39, 122; 52/65.01, 59, 68, 72,
52/65.02, 65.04, 65.08, 65.11, 65.15, 65.16
See application file for complete search history.

(56) **References Cited**

U.S. PATENT DOCUMENTS

2,855,227	A *	10/1958	Bottom	403/119
D200,702	S *	3/1965	Huret	D25/121
3,522,933	A *	8/1970	Braun	256/22
3,529,808	A *	9/1970	Siebers	256/65.08
3,942,763	A *	3/1976	Helterbrand et al.	256/22
5,187,912	A *	2/1993	Hsueh	52/36.5
D415,287	S *	10/1999	Davis	D25/38
D461,914	S *	8/2002	Hughes et al.	D25/122

D471,284	S *	3/2003	Heath	D25/38
D484,249	S *	12/2003	Michael et al.	D25/38
D497,432	S *	10/2004	Ohanesian	D25/38

* cited by examiner

Primary Examiner—Doris Clark

(74) *Attorney, Agent, or Firm*—Frederick L. Tolhurst, Esq.;
Cohen & Grigsby, P.C.

(57) **CLAIM**

We claim the ornamental design for a vinyl fence rail, as shown and described.

DESCRIPTION

FIG. 1 is a perspective view of the vinyl fence rail embodying our new design.

FIG. 2 is an end view of the vinyl fence rail shown in FIG. 1.

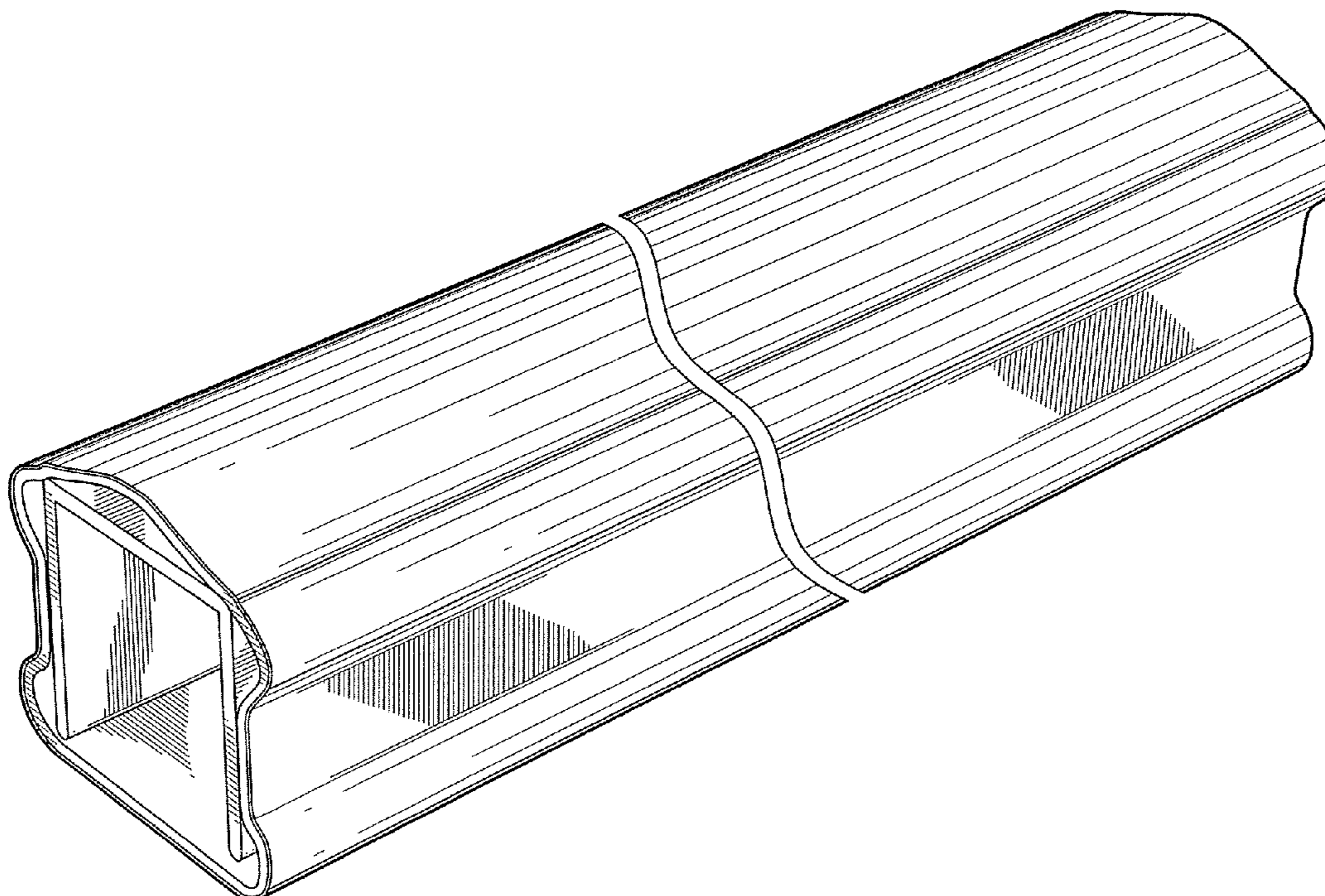
FIG. 3 is a side view of the vinyl fence rail shown in FIG. 1.

FIG. 4 is a top view of the vinyl fence rail shown in FIG. 1; and,

FIG. 5 is a bottom view of the vinyl fence rail shown in FIG. 1.

The vinyl fence rail has been broken in the center indicating indefinite length.

1 Claim, 5 Drawing Sheets



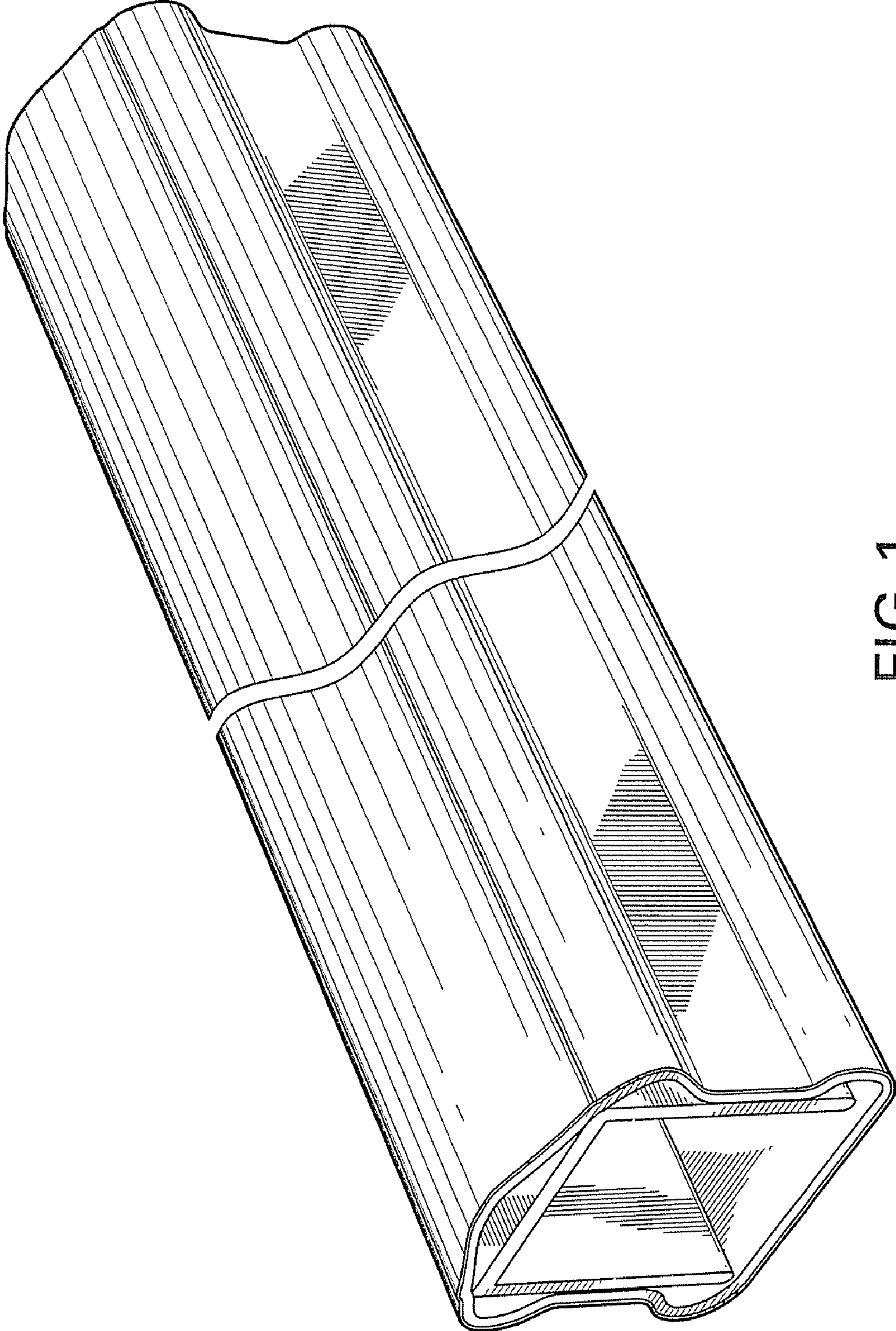


FIG. 1

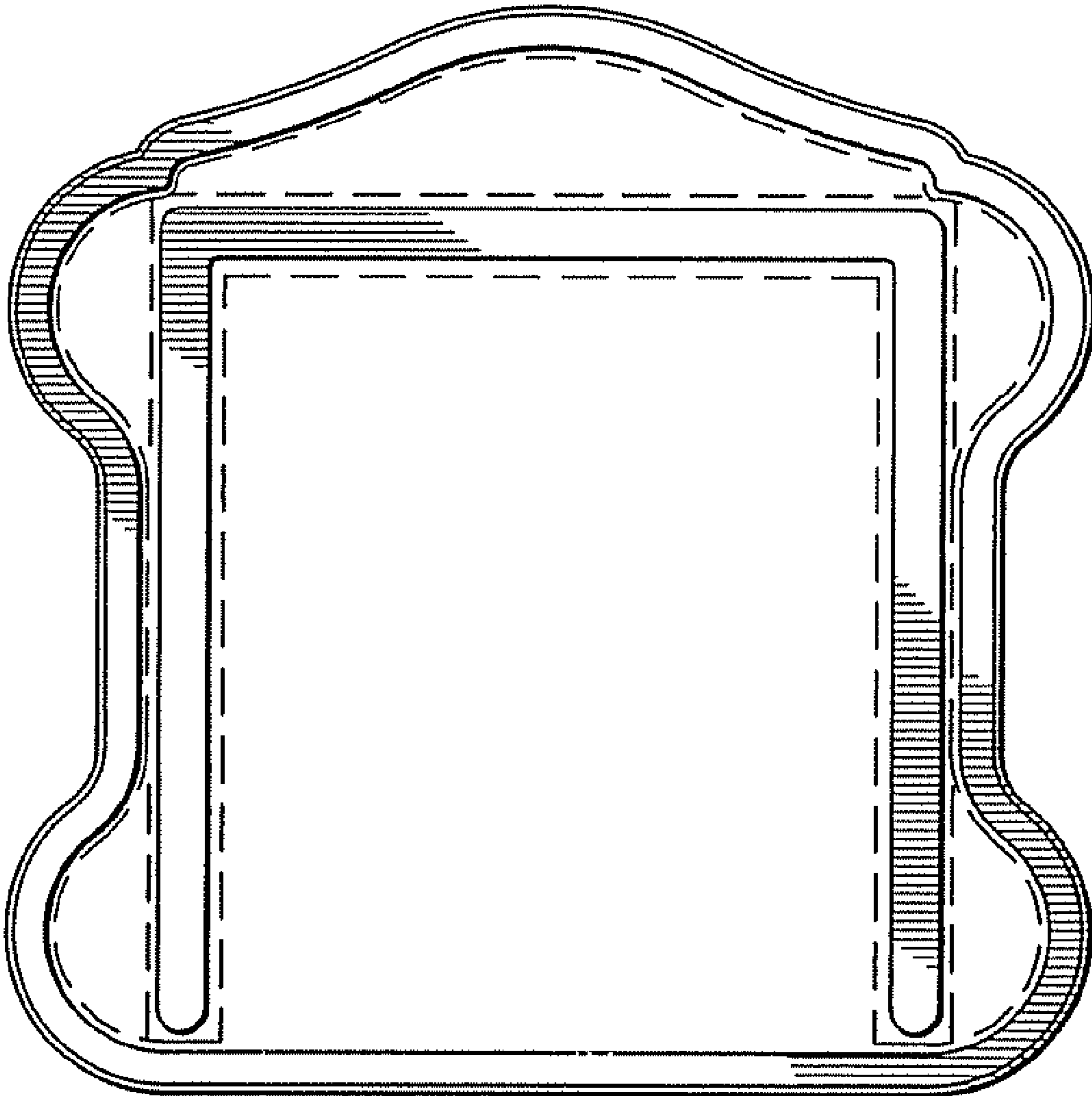


FIG. 2

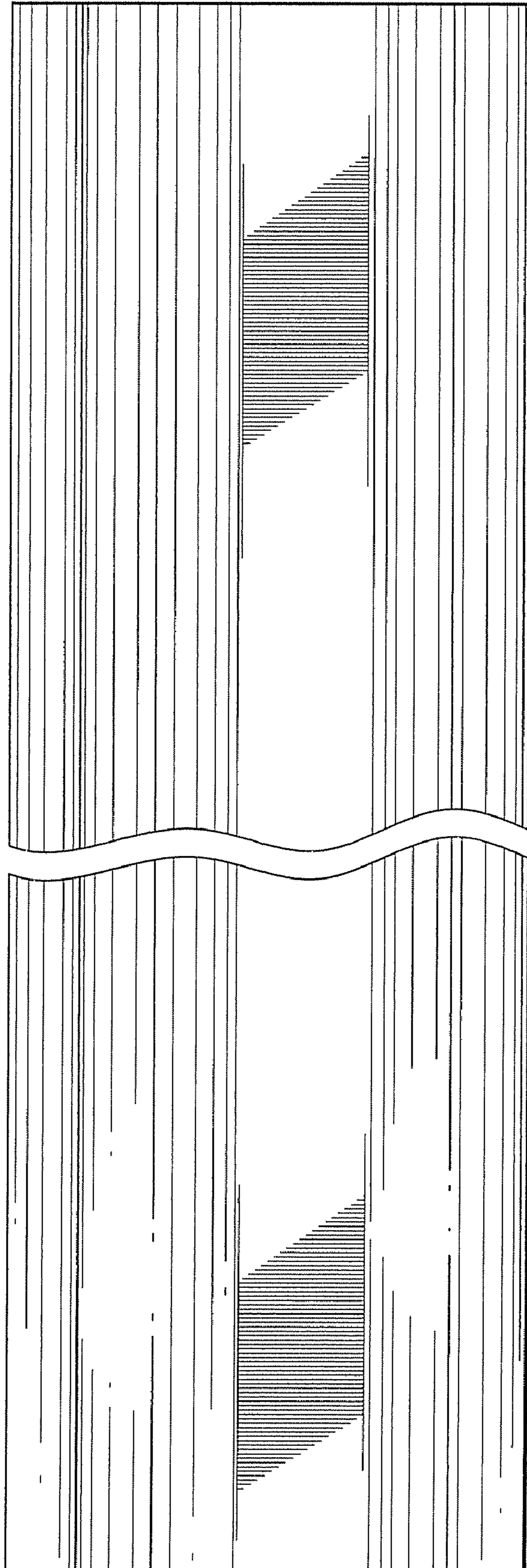


FIG. 3

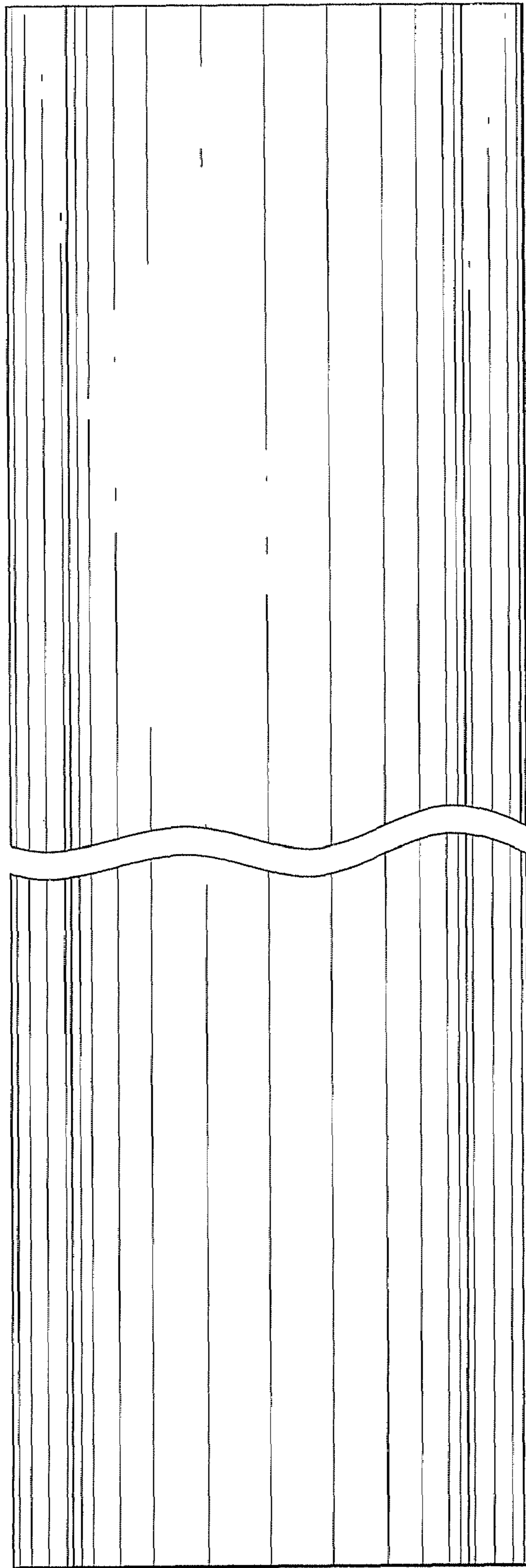


FIG.4

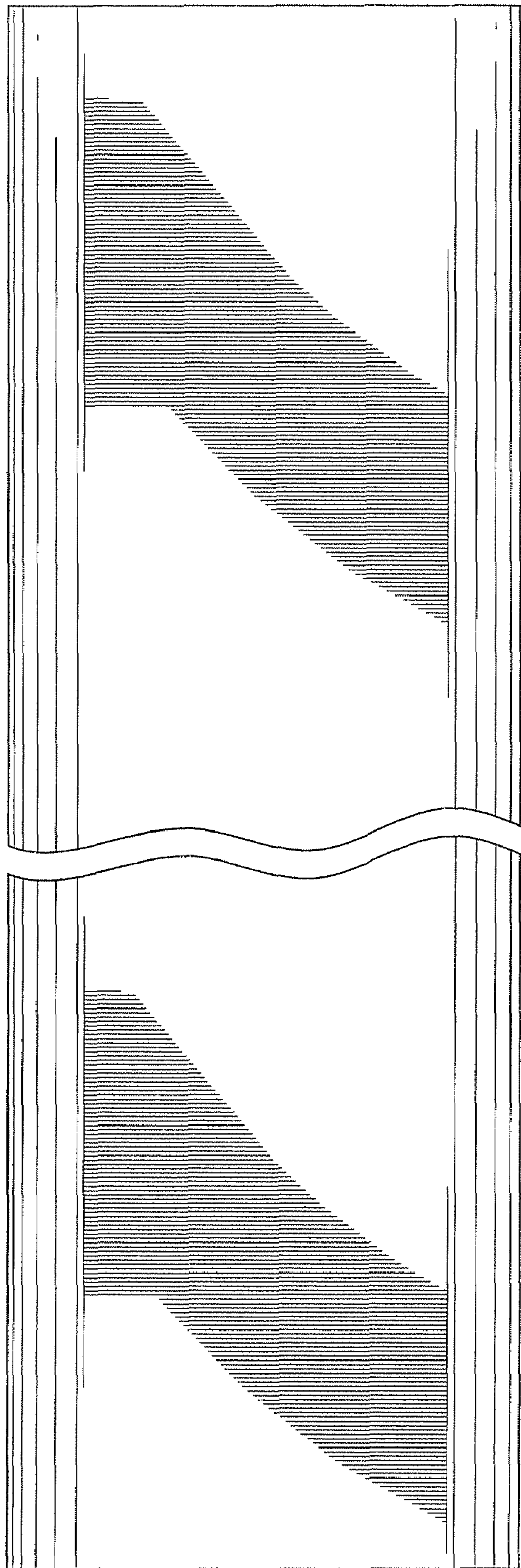


FIG. 5