

US00D544965S

(12) **United States Design Patent**
Seiling et al.

(10) **Patent No.:** **US D544,965 S**

(45) **Date of Patent:** **** Jun. 19, 2007**

(54) **VINYL FENCE RAIL END PLATE**

6,948,704 B2 9/2005 Forbis et al.

(75) Inventors: **Kevin A. Seiling**, Monaca, PA (US);
Eric Matthew Eisenhuth, East Butler,
PA (US)

* cited by examiner

Primary Examiner—Doris Clark
(74) *Attorney, Agent, or Firm*—Frederick L. Tolhurst, Esq.;
Cohen & Grigsby, P.C.

(73) Assignee: **Veka, Inc.**, Fombell, PA (US)

(**) Term: **14 Years**

(57) **CLAIM**

(21) Appl. No.: **29/247,849**

We claim the ornamental design for a vinyl fence rail end plate, as shown and described.

(22) Filed: **Jul. 17, 2006**

(51) **LOC (8) Cl.** **25-02**

(52) **U.S. Cl.** **D25/38**

(58) **Field of Classification Search** D25/38,
D25/43, 44, 121, 39; 52/65.01, 59, 68, 72,
52/65.02, 65.04, 65.08, 65.11, 65.15, 65.16
See application file for complete search history.

DESCRIPTION

FIG. 1 is a perspective view of the vinyl fence rail end plate embodying our new design.

FIG. 2 is an end view of the vinyl fence rail end plate shown in FIG. 1.

FIG. 3 is a side view of the vinyl fence rail end plate shown in FIG. 1.

FIG. 4 is a top view of the vinyl fence rail end plate shown in FIG. 1.

FIG. 5 is a bottom view of the vinyl fence rail end plate shown in FIG. 1; and,

FIG. 6 is a view of the vinyl fence rail end plate show in FIG. 1 as viewed from the opposite side of the vinyl fence rail end plate from FIG. 2.

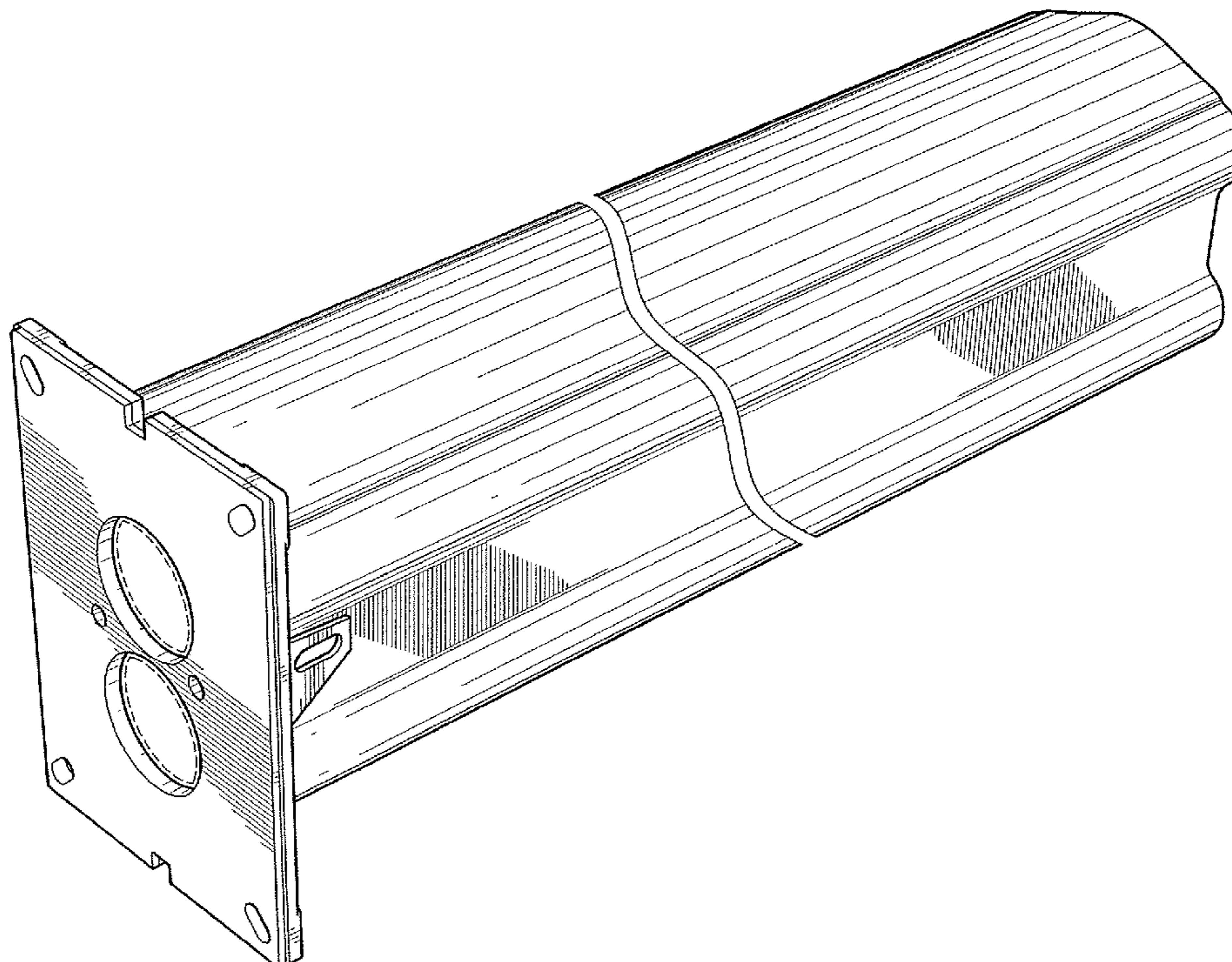
The vinyl fence rail end plate has been broken in the center indicating indefinite length.

(56) **References Cited**

U.S. PATENT DOCUMENTS

2,834,621	A *	5/1958	Schroer	403/188
2,855,227	A *	10/1958	Bottom	403/119
D200,702	S *	3/1965	Huret	D25/121
3,522,933	A *	8/1970	Braun	256/22
3,529,808	A *	9/1970	Siebers	256/65.08
3,942,763	A *	3/1976	Helterbrand et al.	256/22
D415,287	S *	10/1999	Davis	D25/38
D461,914	S *	8/2002	Hughes et al.	D25/122
D471,284	S *	3/2003	Heath	D25/38
D484,249	S *	12/2003	Michael et al.	D25/38
D497,432	S *	10/2004	Ohanesian	D25/38

1 Claim, 6 Drawing Sheets



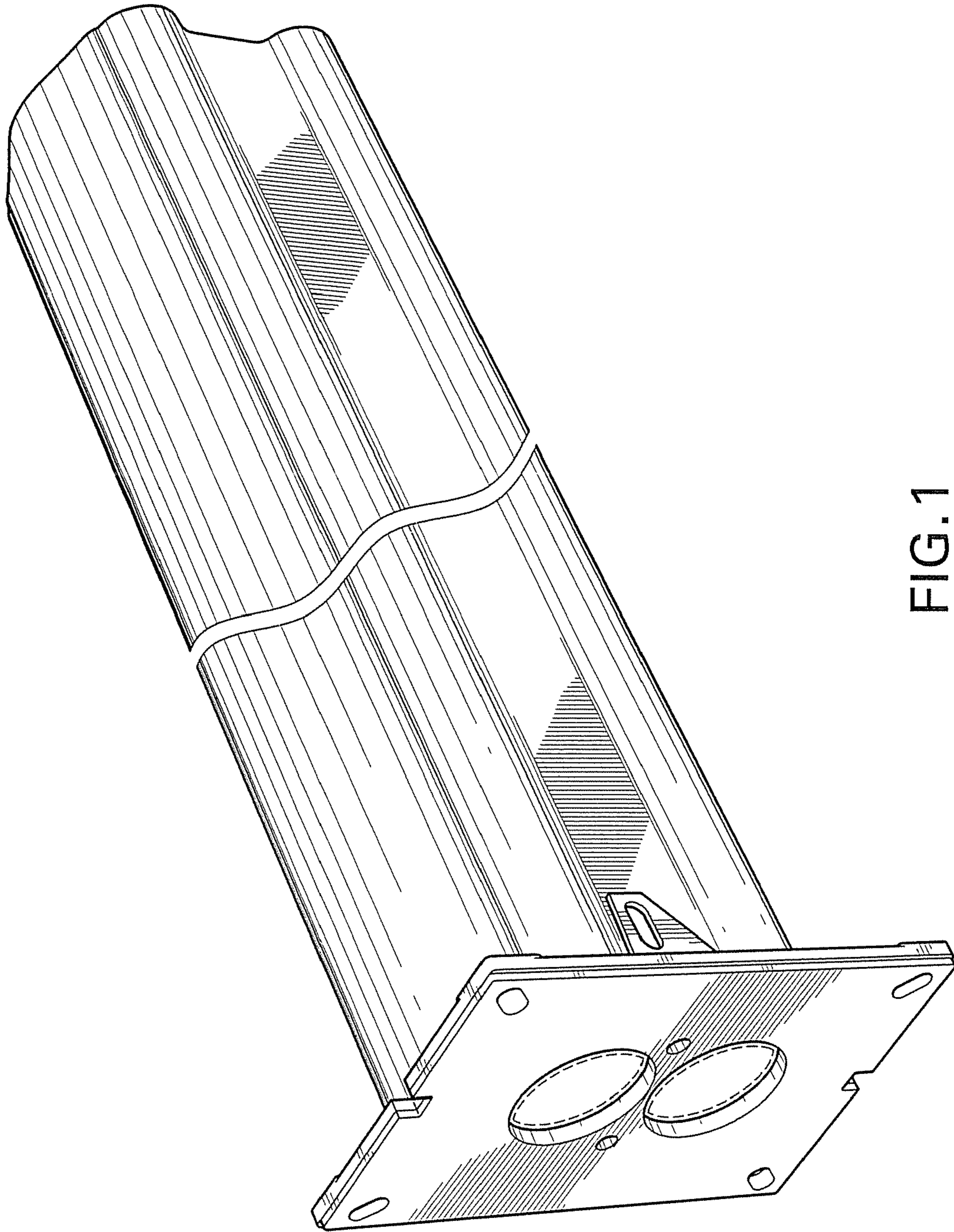


FIG. 1

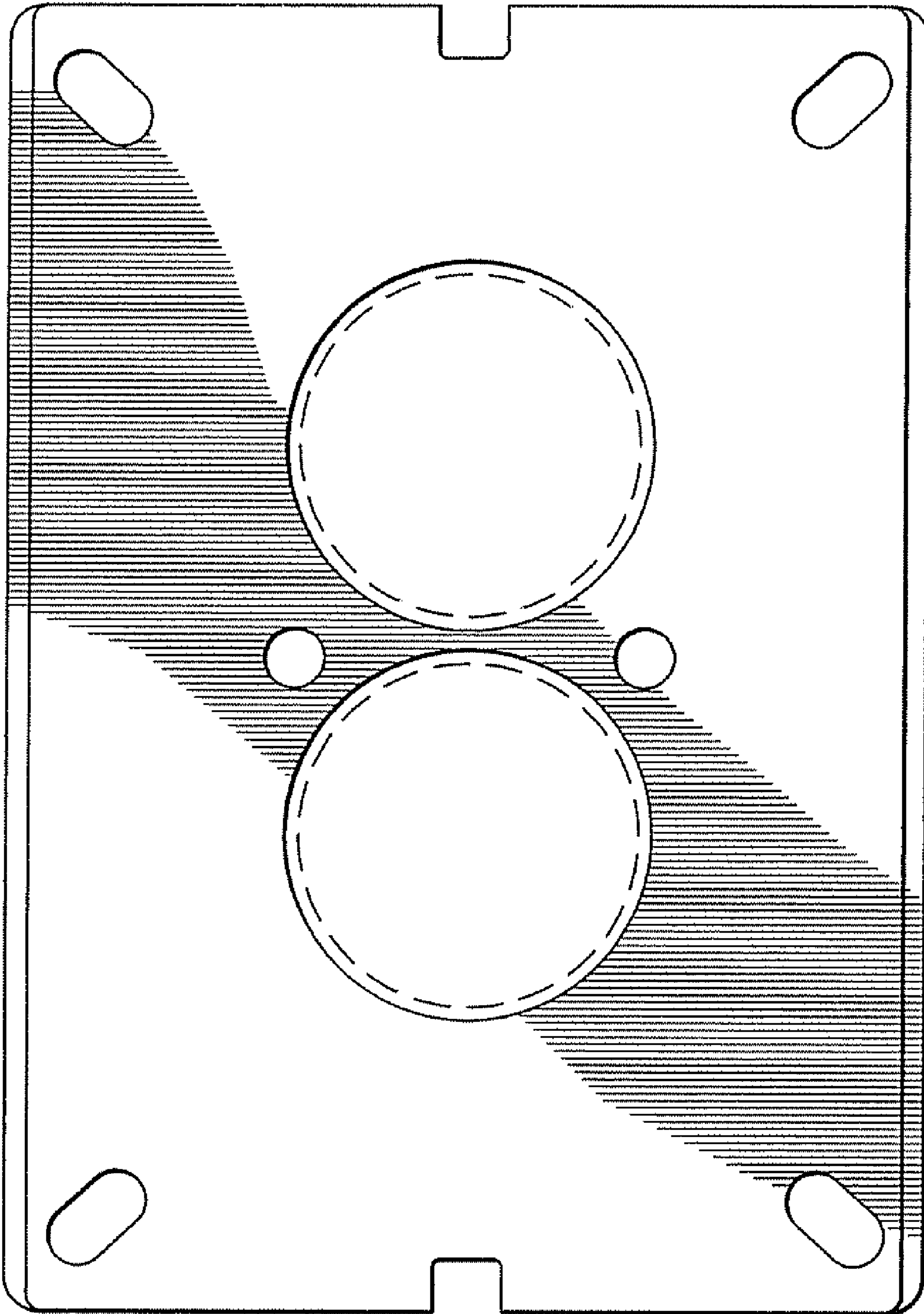


FIG. 2

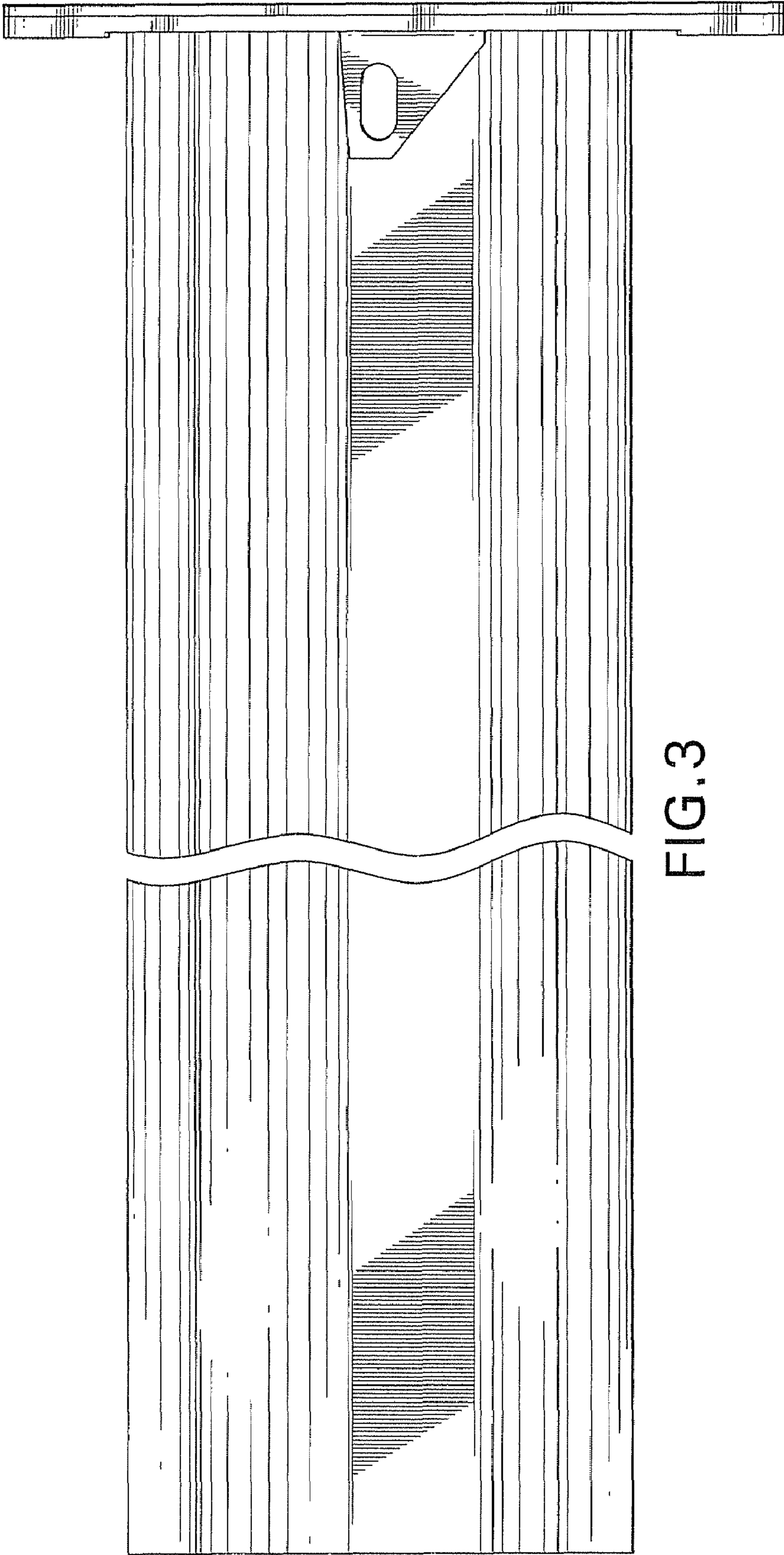


FIG. 3

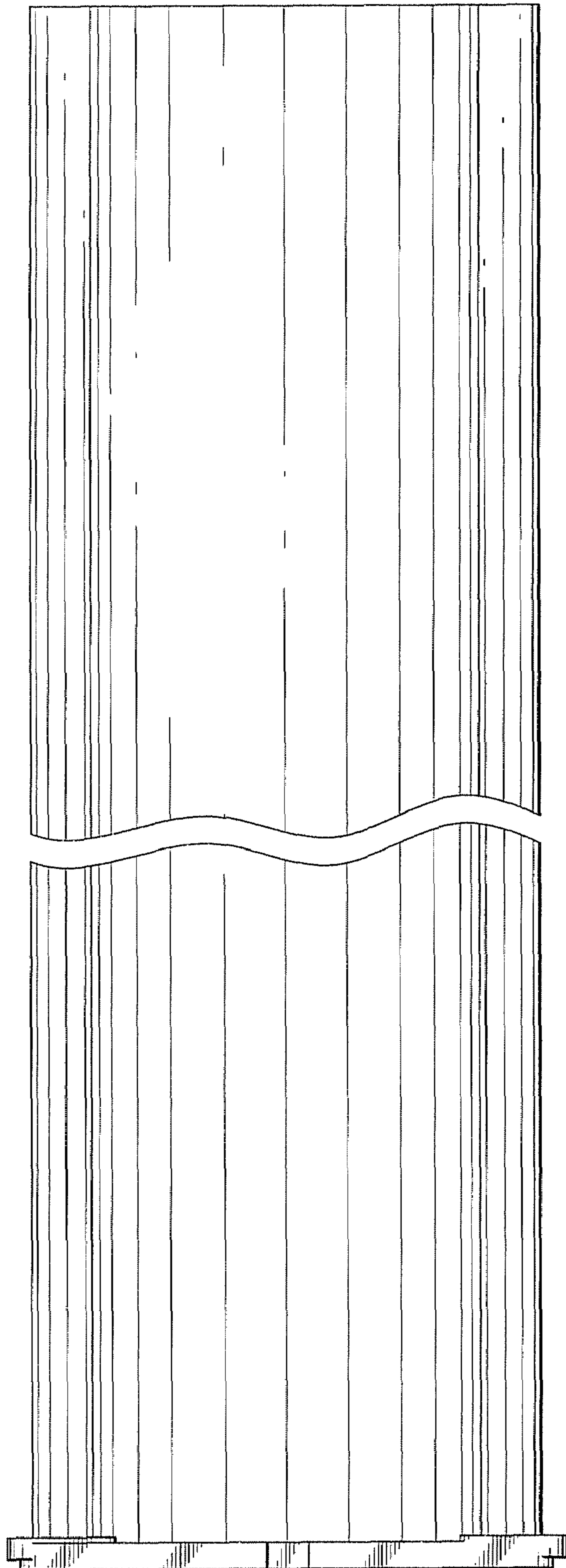


FIG. 4

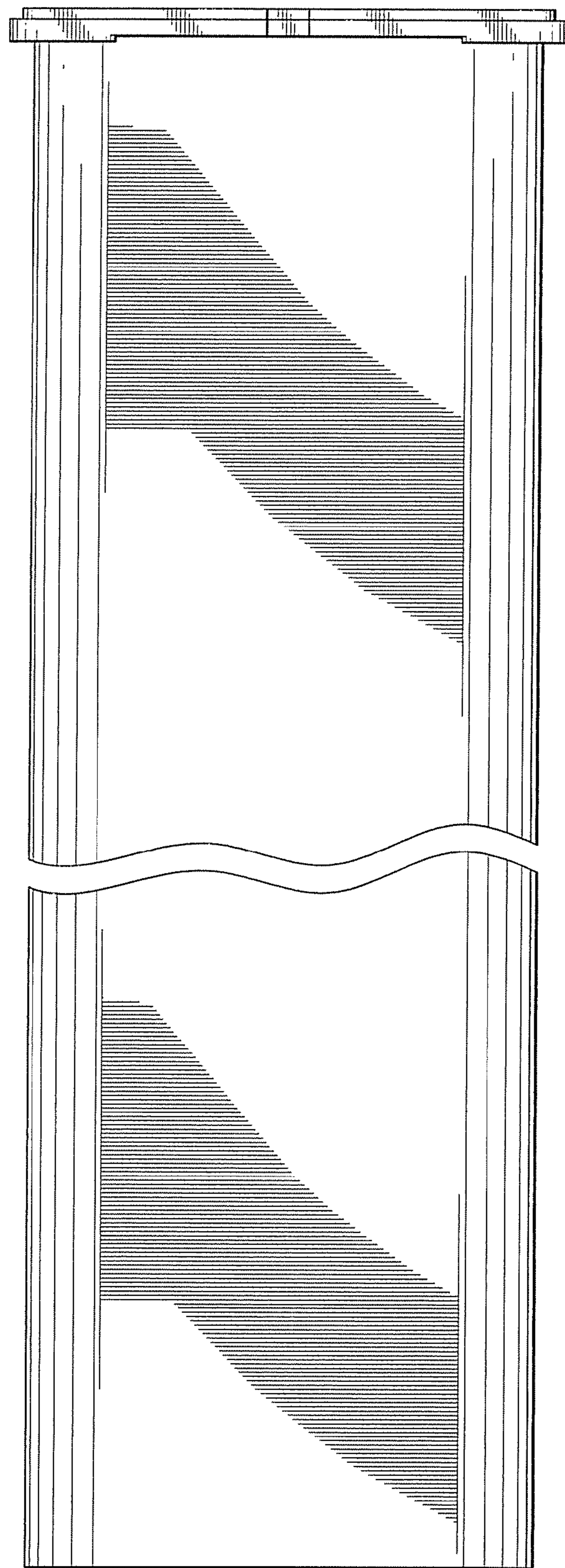


FIG. 5

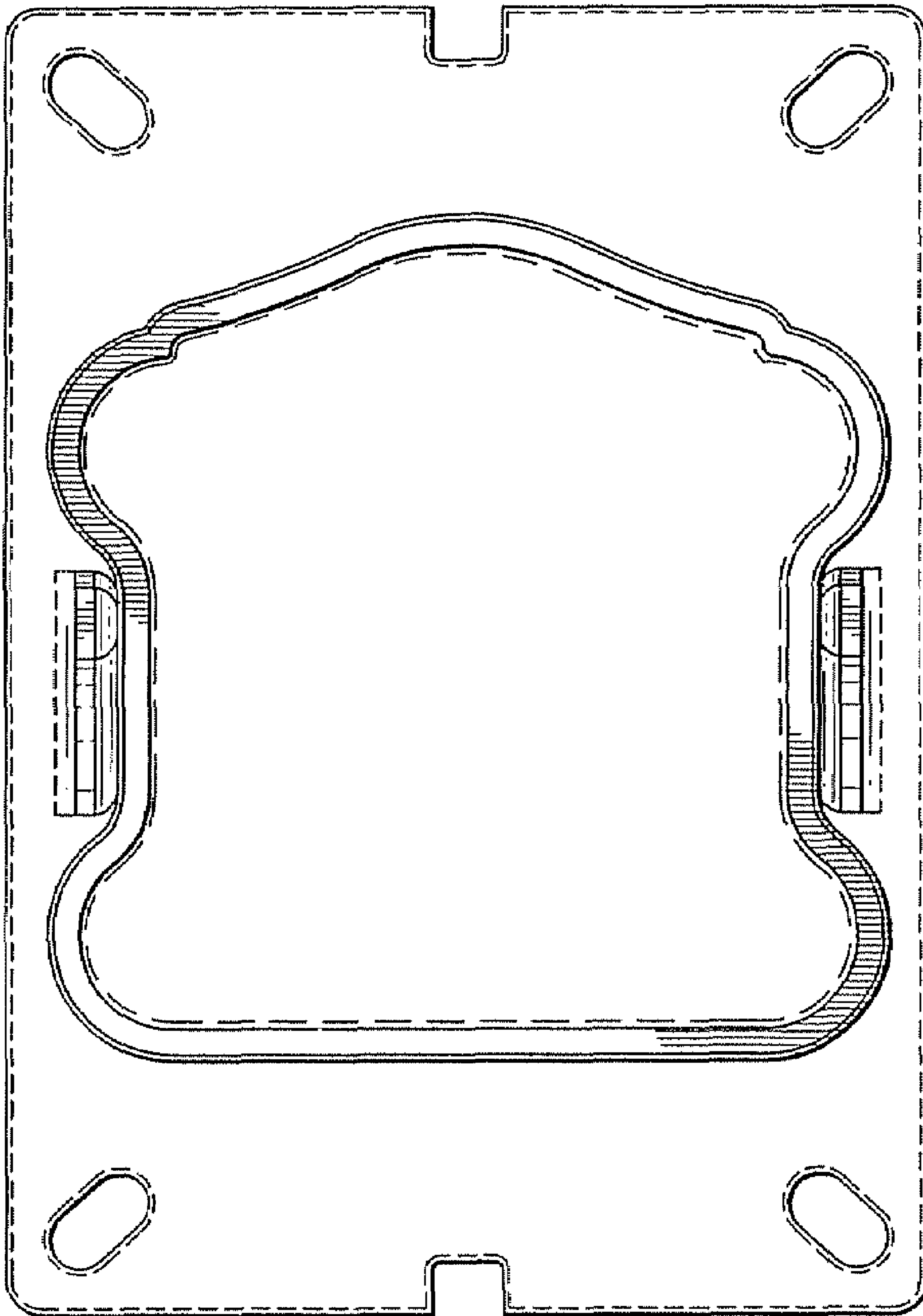


FIG. 6