



US00D544963S

(12) **United States Design Patent**  
**Aranda**

(10) **Patent No.:** **US D544,963 S**

(45) **Date of Patent:** **\*\* Jun. 19, 2007**

(54) **BUILDING**

(76) Inventor: **Victor Aranda**, 1318 E. Scotts Ave.,  
Stockton, CA (US) 95205

(\*\*) Term: **14 Years**

(21) Appl. No.: **29/238,961**

(22) Filed: **Sep. 22, 2005**

(51) **LOC (8) Cl.** ..... **25-03**

(52) **U.S. Cl.** ..... **D25/11; D12/83; D12/1**

(58) **Field of Classification Search** ..... D12/12,  
D12/14, 82-83, 93, 99, 101-103, 105; D25/7,  
D25/11, 23, 26, 33; 52/79.1; 296/181, 183,  
296/171-176

See application file for complete search history.

(56) **References Cited**

**U.S. PATENT DOCUMENTS**

D56,736 S *	12/1920	Buchwald	.....	D12/83
1,385,437 A *	7/1921	Ellerman	.....	296/172
D131,952 S *	4/1942	Bolenbach	.....	D12/103
D157,899 S *	3/1950	Poulos	.....	D12/83
D190,077 S *	4/1961	Myers	.....	D12/99
D206,376 S *	12/1966	Ornas	.....	D12/99
D236,820 S *	9/1975	Hamel	.....	D12/99
D309,281 S *	7/1990	Tisten et al.	.....	D12/99
D320,771 S *	10/1991	Crawford	.....	D12/102
D430,067 S *	8/2000	Hosomi	.....	D12/93
D466,838 S *	12/2002	Penny	.....	D12/103

\* cited by examiner

*Primary Examiner*—Louis S. Zarfes

*Assistant Examiner*—Eric L. Goodman

(74) *Attorney, Agent, or Firm*—R. Michael West

(57) **CLAIM**

The ornamental design for a building, as shown and described.

**DESCRIPTION**

FIG. 1 is a right front perspective view of a building, showing my new design;

FIG. 2 is a left front perspective view, thereof;

FIG. 3 is an elevational view of one side, thereof;

FIG. 4 is an elevational view of the other side, thereof;

FIG. 5 is a front elevational view, thereof;

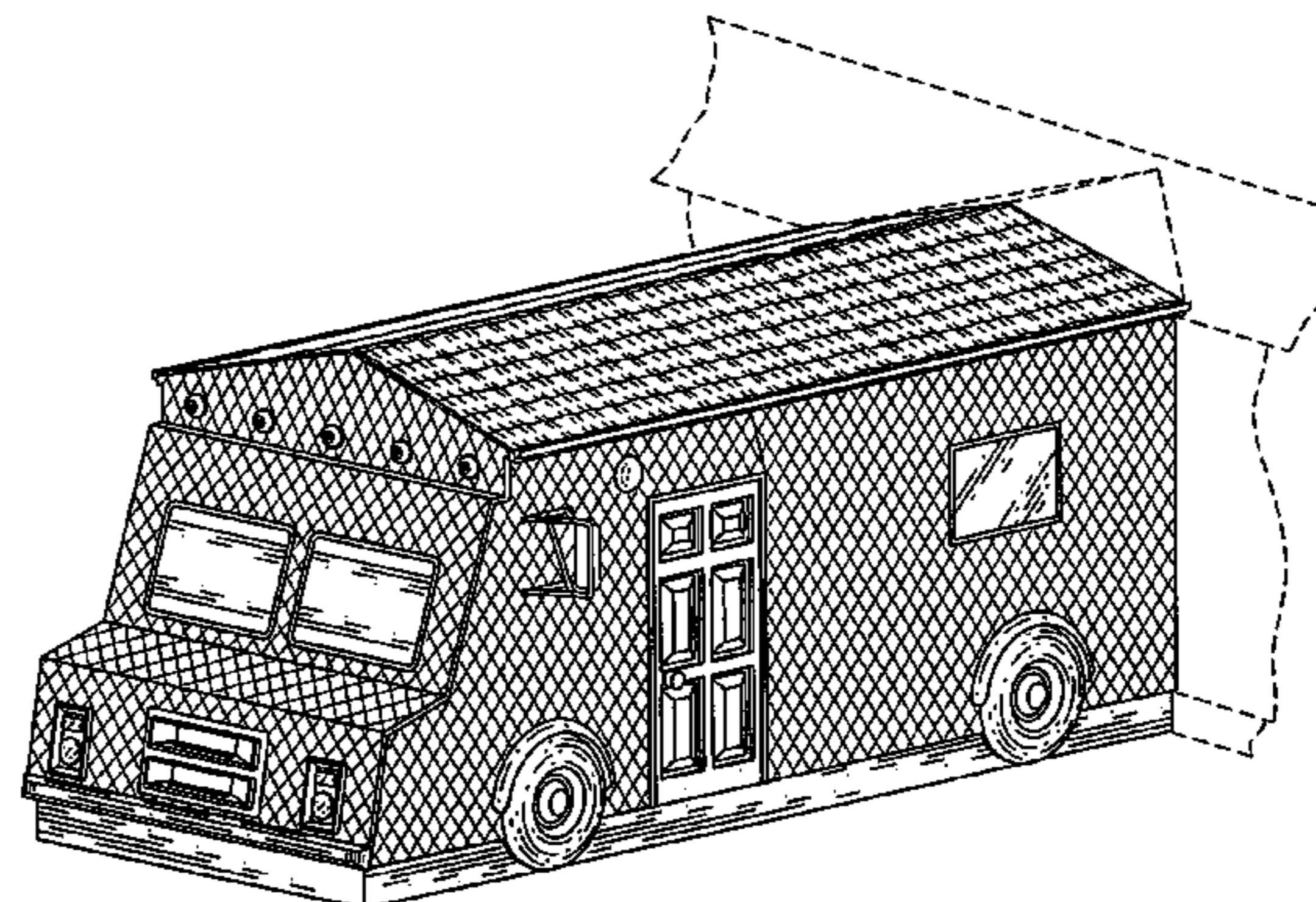
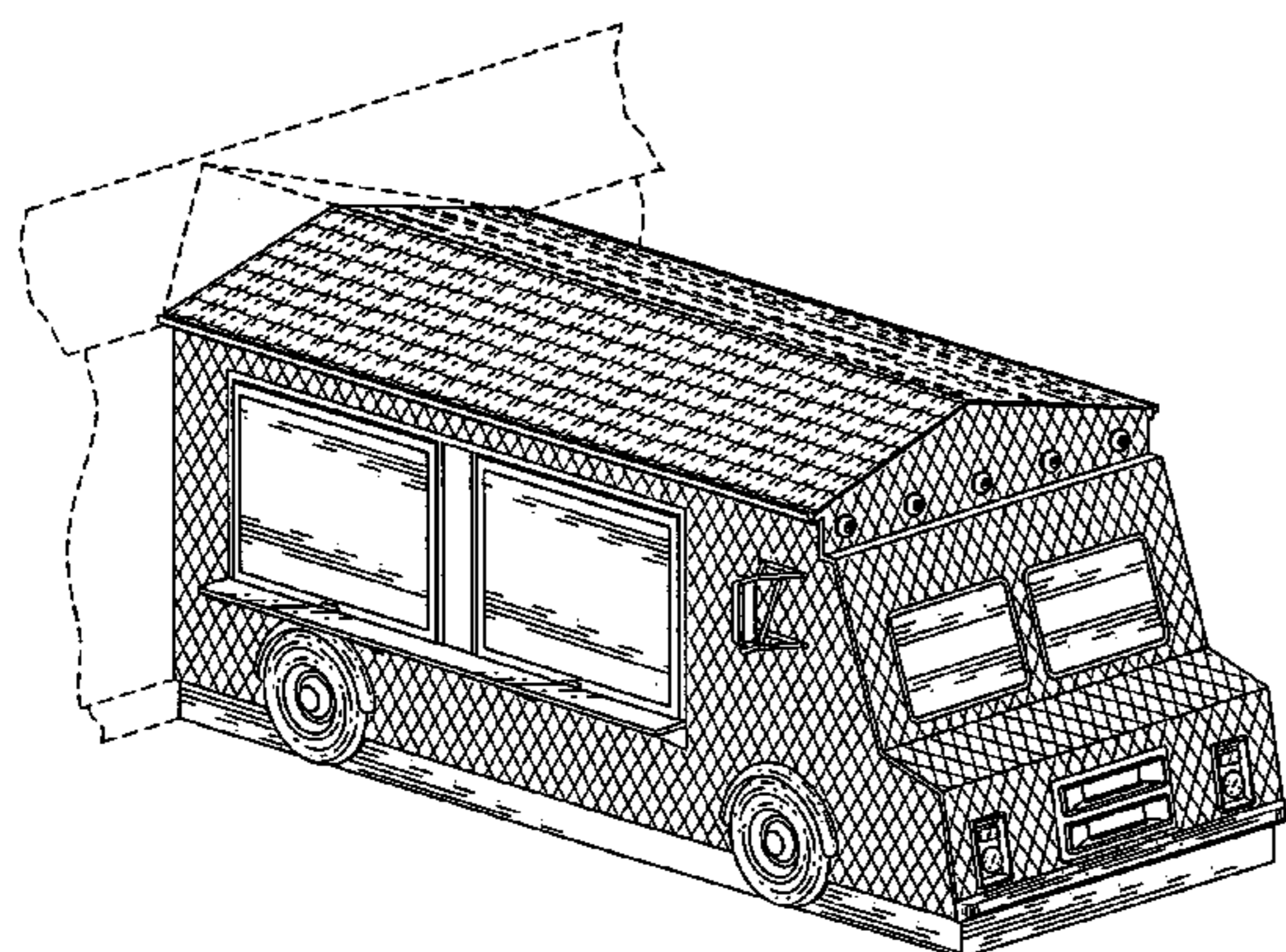
FIG. 6 is a top plan view, thereof;

FIG. 7 is a side elevational view as in FIG. 3, but showing the two tilt-up window covers in a raised position; and,

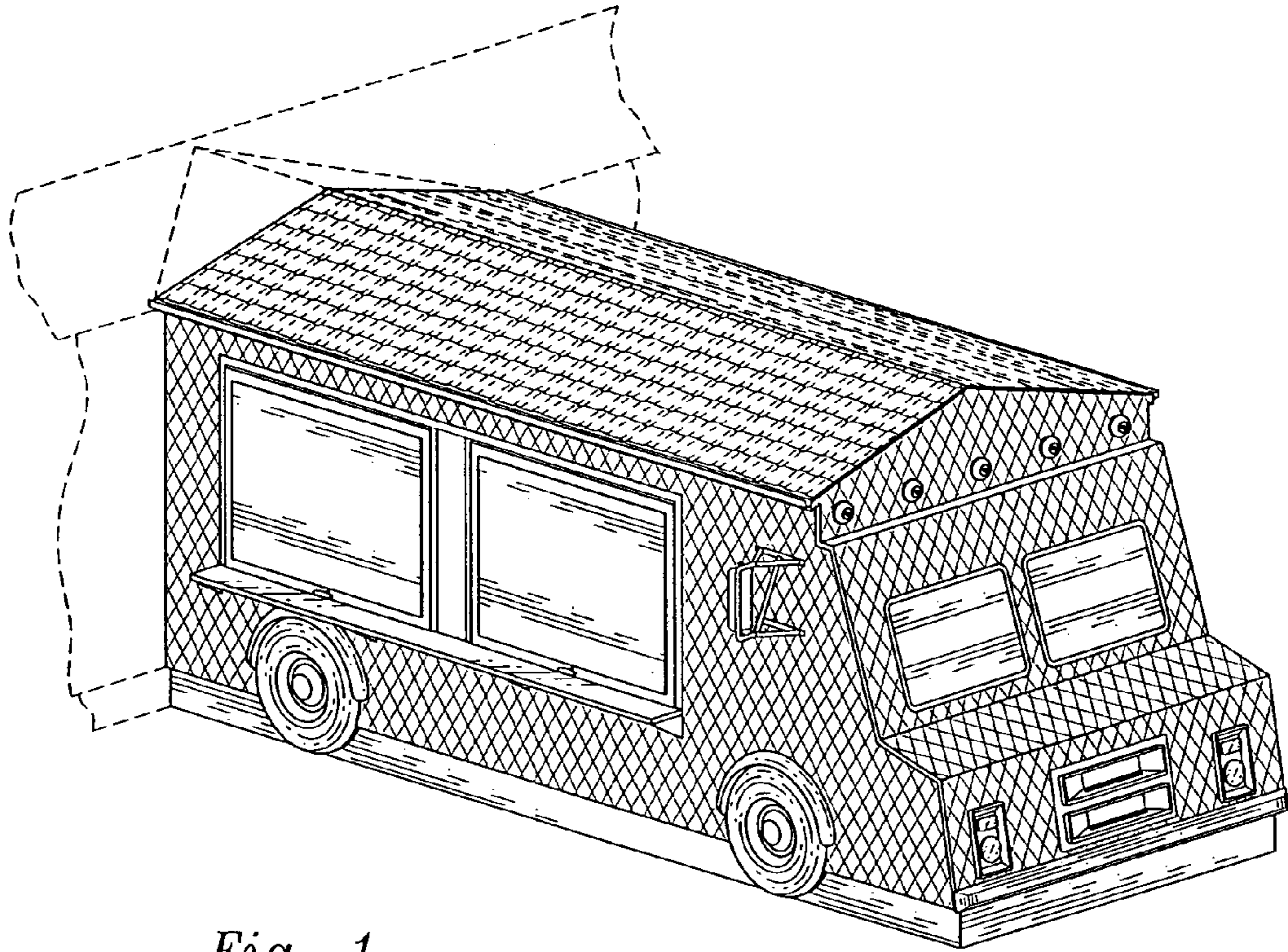
FIG. 8 is a right front perspective view of the article shown in FIG. 7.

The broken line representation of the attached building shown in FIGS. 1 and 2, is included solely for illustrative purposes, forming no part of the claimed design.

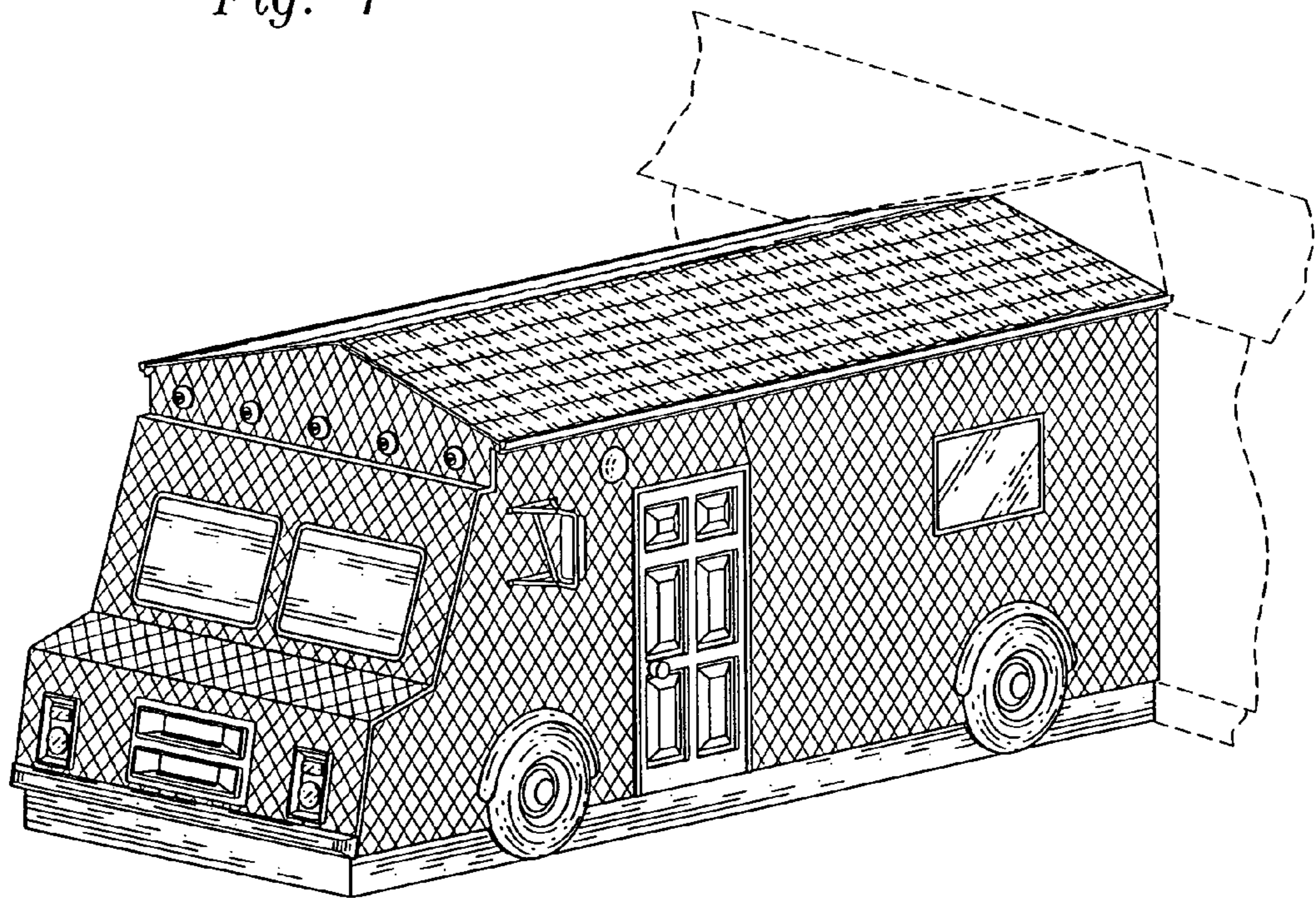
**1 Claim, 3 Drawing Sheets**





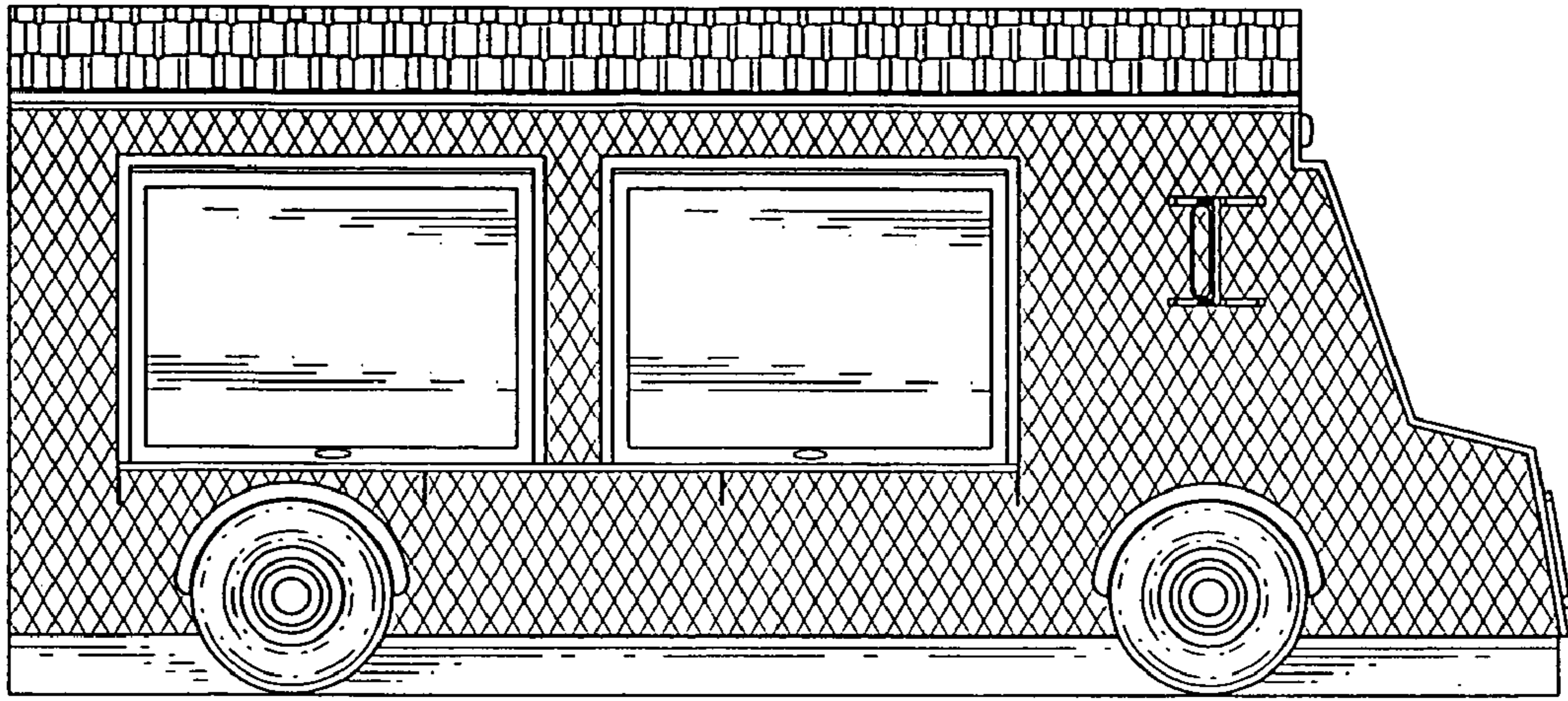


*Fig. 1*

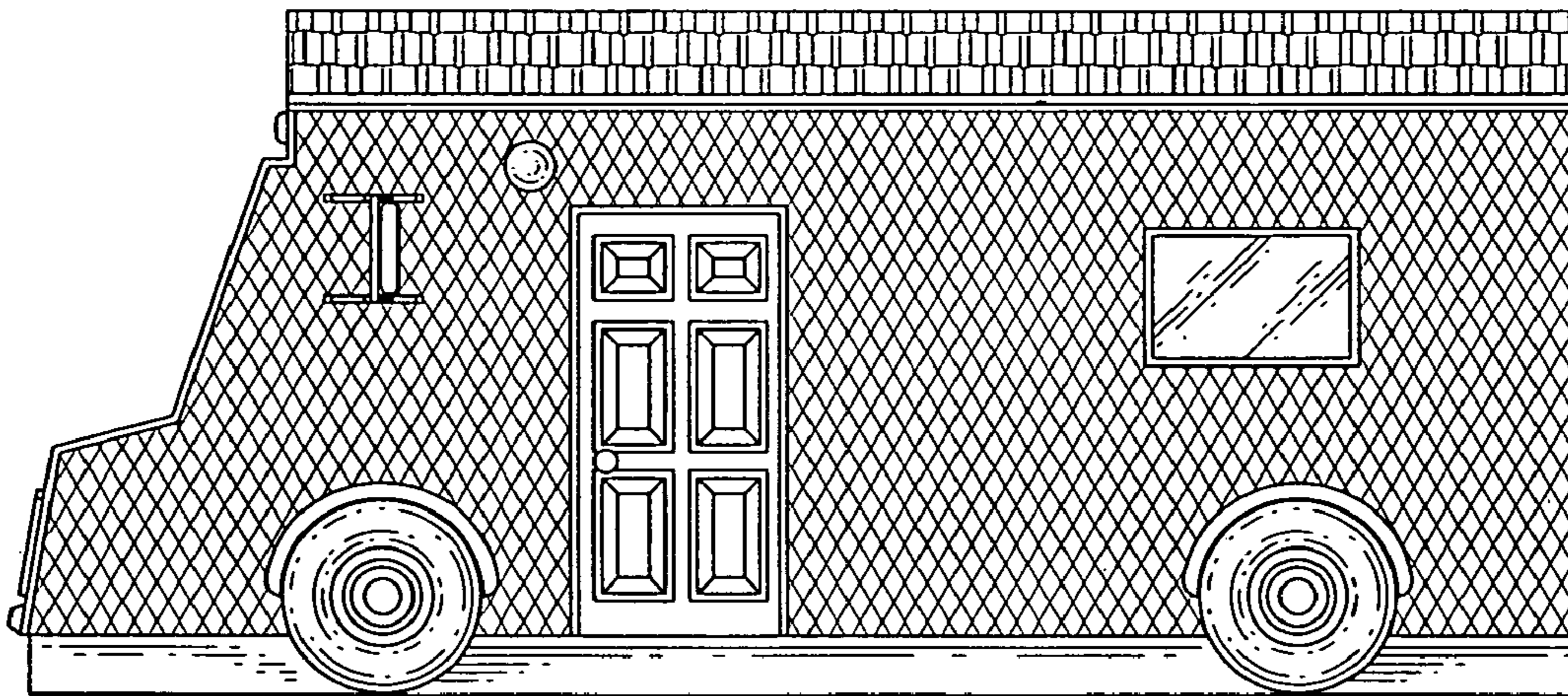


*Fig. 2*

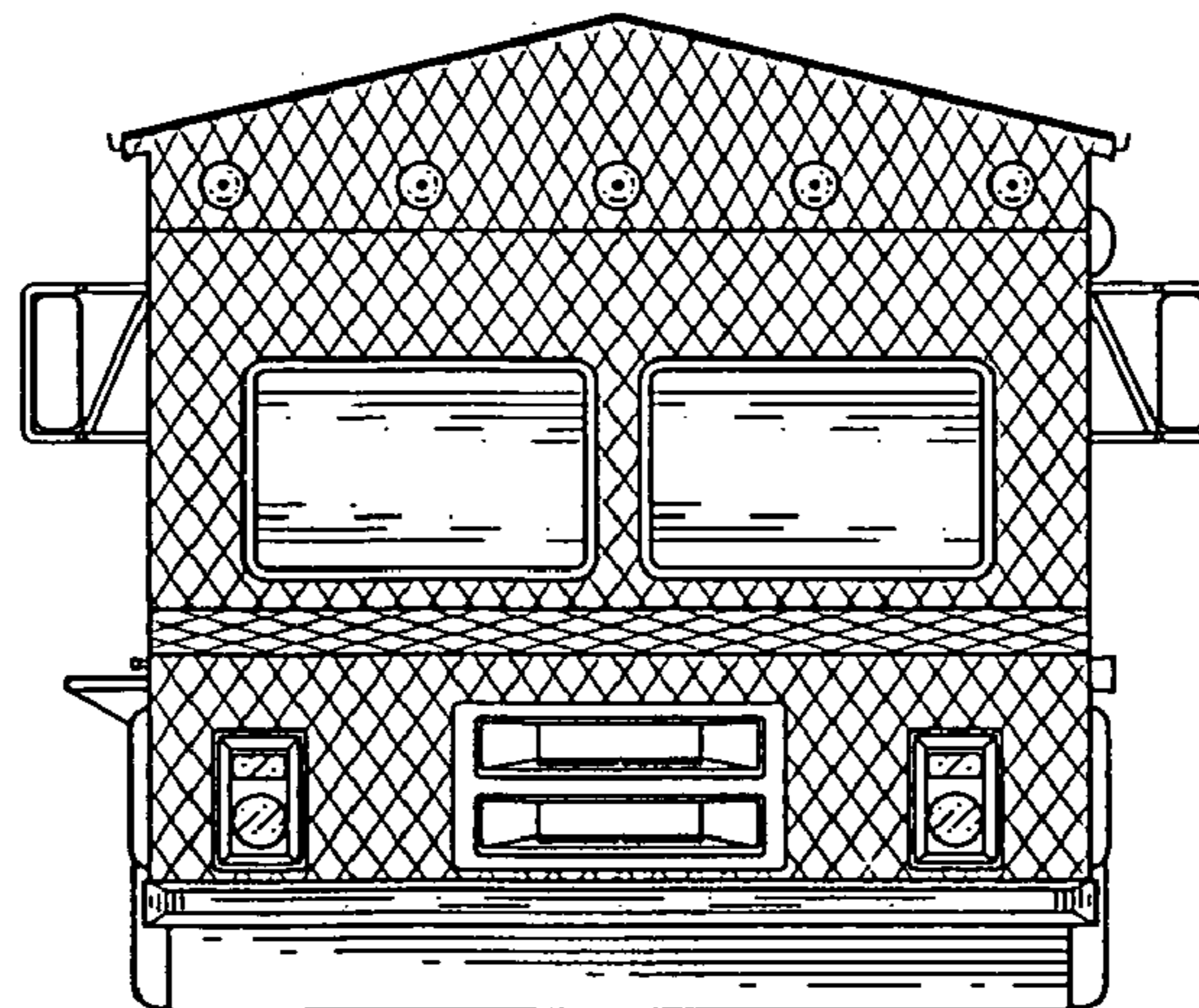




*Fig. 3*

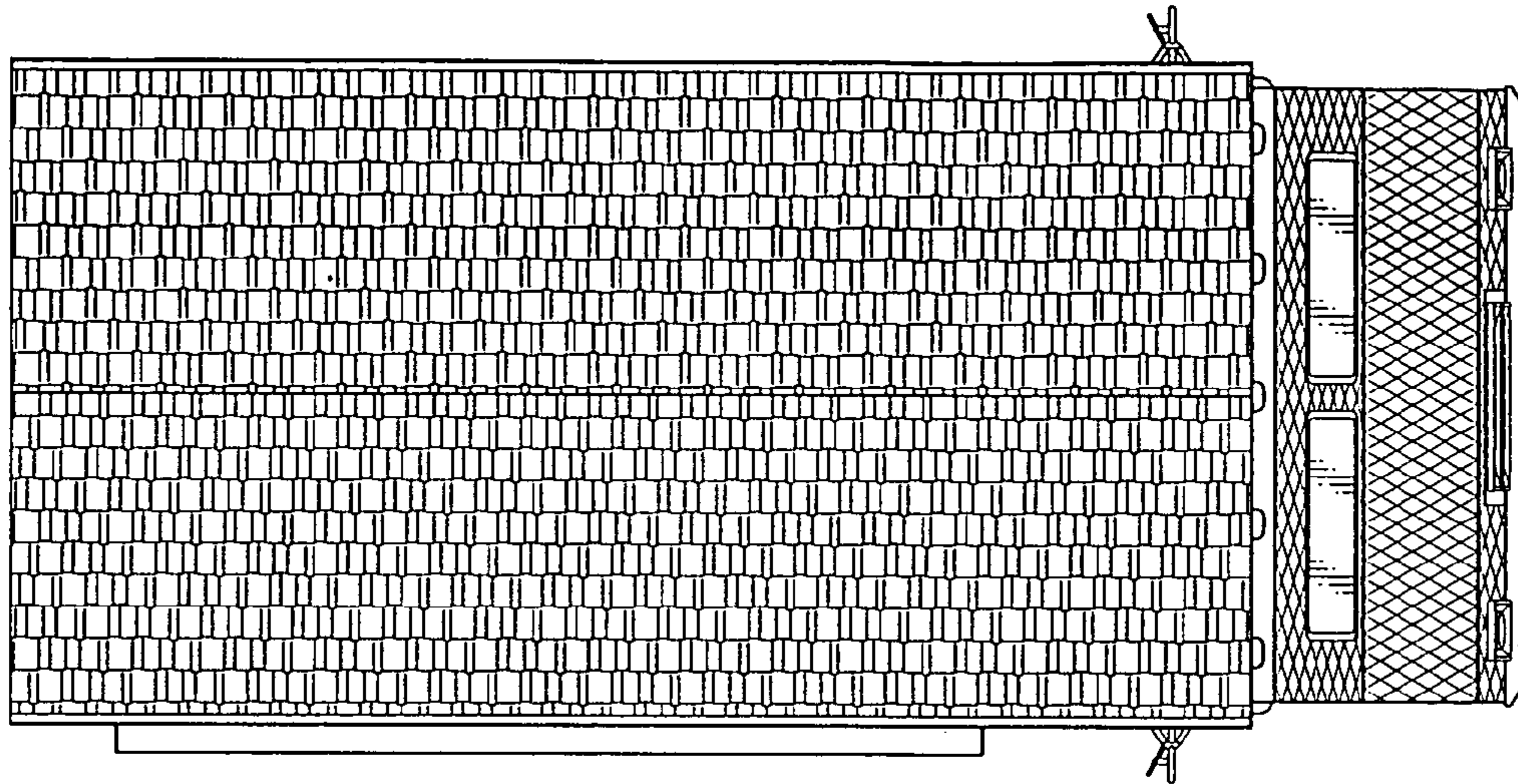


*Fig. 4*

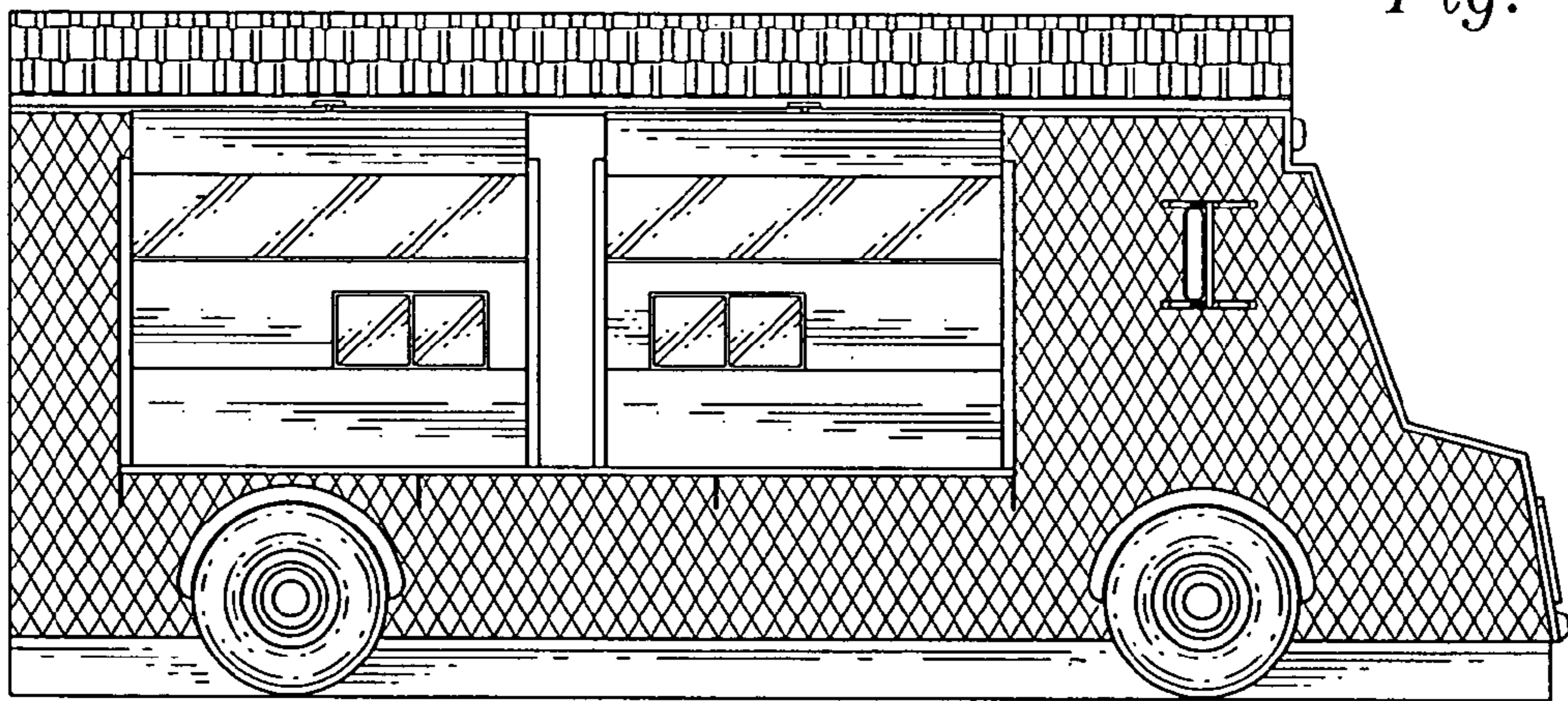


*Fig. 5*

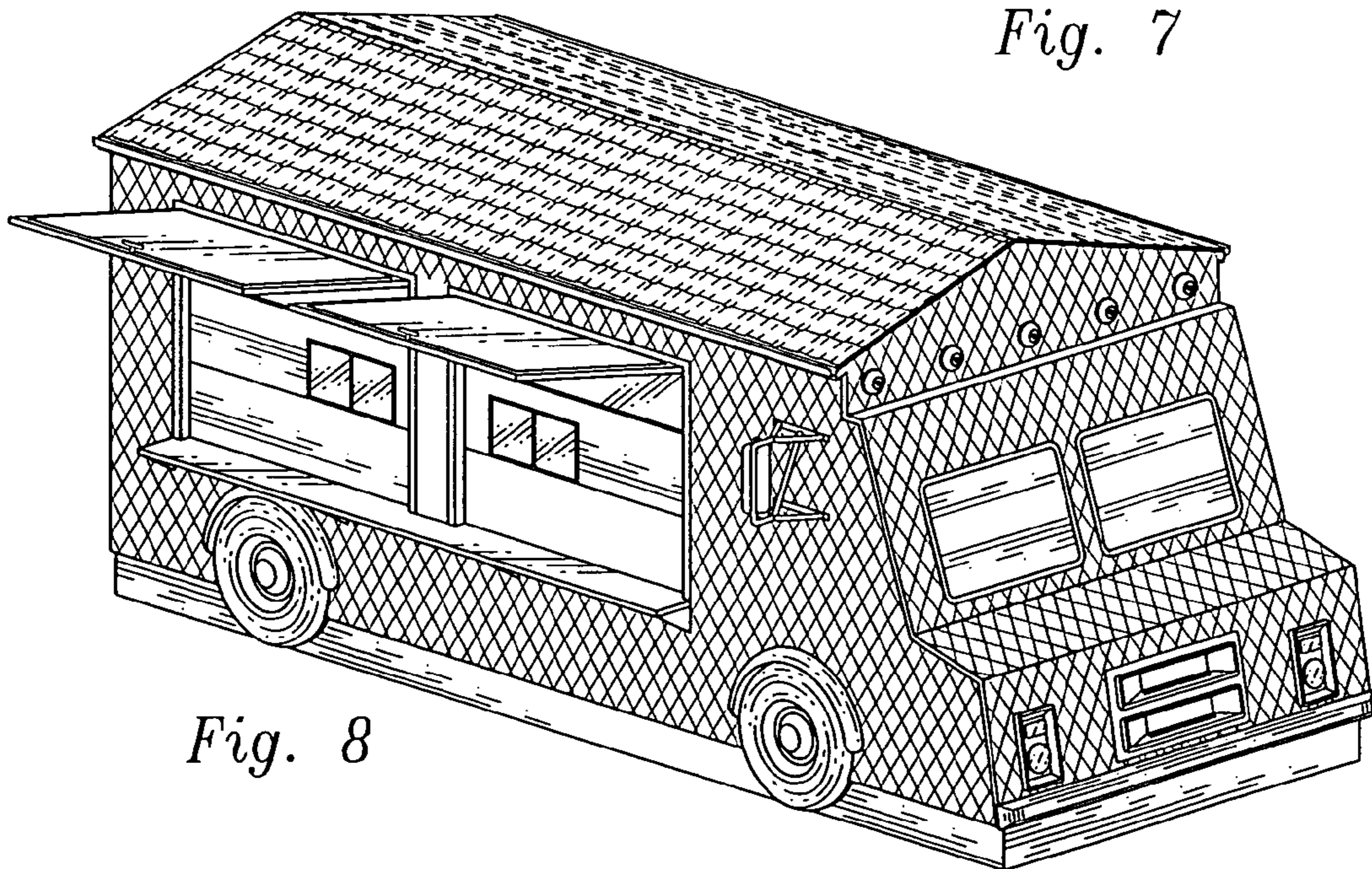




*Fig. 6*



*Fig. 7*



*Fig. 8*