

US00D544962S

(12) **United States Design Patent**  
**Diener et al.**

(10) **Patent No.: US D544,962 S**  
(45) **Date of Patent: \*\* Jun. 19, 2007**

(54) **MOBILE SUPPORT STRUCTURE FOR  
DIAGNOSTIC EQUIPMENT**

(75) Inventors: **Alexander M. Diener**, Seattle, WA  
(US); **Jared B. Floyd**, Lynnwood, MA  
(US)

(73) Assignee: **SonoSite, Inc.**, Bothell, WA (US)

(\*\*) Term: **14 Years**

(21) Appl. No.: **29/217,296**

(22) Filed: **Nov. 15, 2004**

(51) **LOC (8) Cl.** ..... **24-01**

(52) **U.S. Cl.** ..... **D24/186**

(58) **Field of Classification Search** ..... D24/186,  
D24/185, 128, 177; 312/249.12, 249.1; 280/47.19,  
280/47.35, 79.3

See application file for complete search history.

(56) **References Cited**

U.S. PATENT DOCUMENTS

D517,768 S \* 3/2006 Arceta ..... D24/185  
D518,267 S \* 3/2006 Arceta ..... D24/185

\* cited by examiner

*Primary Examiner*—Robert A. Delehanty

*Assistant Examiner*—Mark Cavanna

(74) *Attorney, Agent, or Firm*—Fulbright & Jaworski, LLP

(57) **CLAIM**

We claim the ornamental design for a mobile support structure for diagnostic equipment, as shown and described.

**DESCRIPTION**

The present application incorporates by reference the disclosure of U.S. design patent application Ser. No. 29/217,297, filed Nov. 15, 2004, entitled “Display Assembly for Ultrasound System.”

FIG. 1 is an isometric view of one embodiment showing the mobile support structure from the front left having a diagnostic ultrasound system disposed thereon, wherein the ultrasound system, the ultrasound transducer holding trays on the sides of the top shelf, the ultrasound system locking cams disposed on either side of the ultrasound system, the middle accessory shelf, and the bottom accessory shelf and base are shown for environmental purposes only and form no part of the claimed design of this embodiment;

FIG. 2 is an isometric view of the embodiment of FIG. 1 having the ultrasound system removed from the top shelf thereof, wherein the ultrasound transducer holding trays on the sides of the top shelf, the ultrasound system locking cams disposed on either side of the ultrasound system, the middle accessory shelf, and the bottom accessory shelf and base are shown for environmental purposes only and form no part of the claimed design of this embodiment;

FIG. 3 is an isometric view of the embodiment of FIG. 1 showing the mobile support structure from the back right having a diagnostic ultrasound system disposed thereon, wherein the ultrasound system, the ultrasound transducer holding trays on the sides of the top shelf, the ultrasound system locking cams disposed on either side of the ultrasound system, the top tray mounting knob and corresponding adjustment slot, the middle accessory shelf, the bottom accessory shelf and base, the cable posts disposed on the vertical support member, and the power outlet strip are shown for environmental purposes only and form no part of the claimed design of this embodiment;

FIG. 4 is an isometric view of the embodiment of FIG. 1 showing the mobile support structure from the back left having a diagnostic ultrasound system disposed thereon, wherein the ultrasound system, the ultrasound transducer holding trays on the sides of the top shelf, the ultrasound system locking cams disposed on either side of the ultrasound system, the top tray mounting knob and corresponding adjustment slot, the middle accessory shelf, the bottom accessory shelf and base, the cable posts, and the power outlet strip are shown for environmental purposes only and form no part of the claimed design of this embodiment;

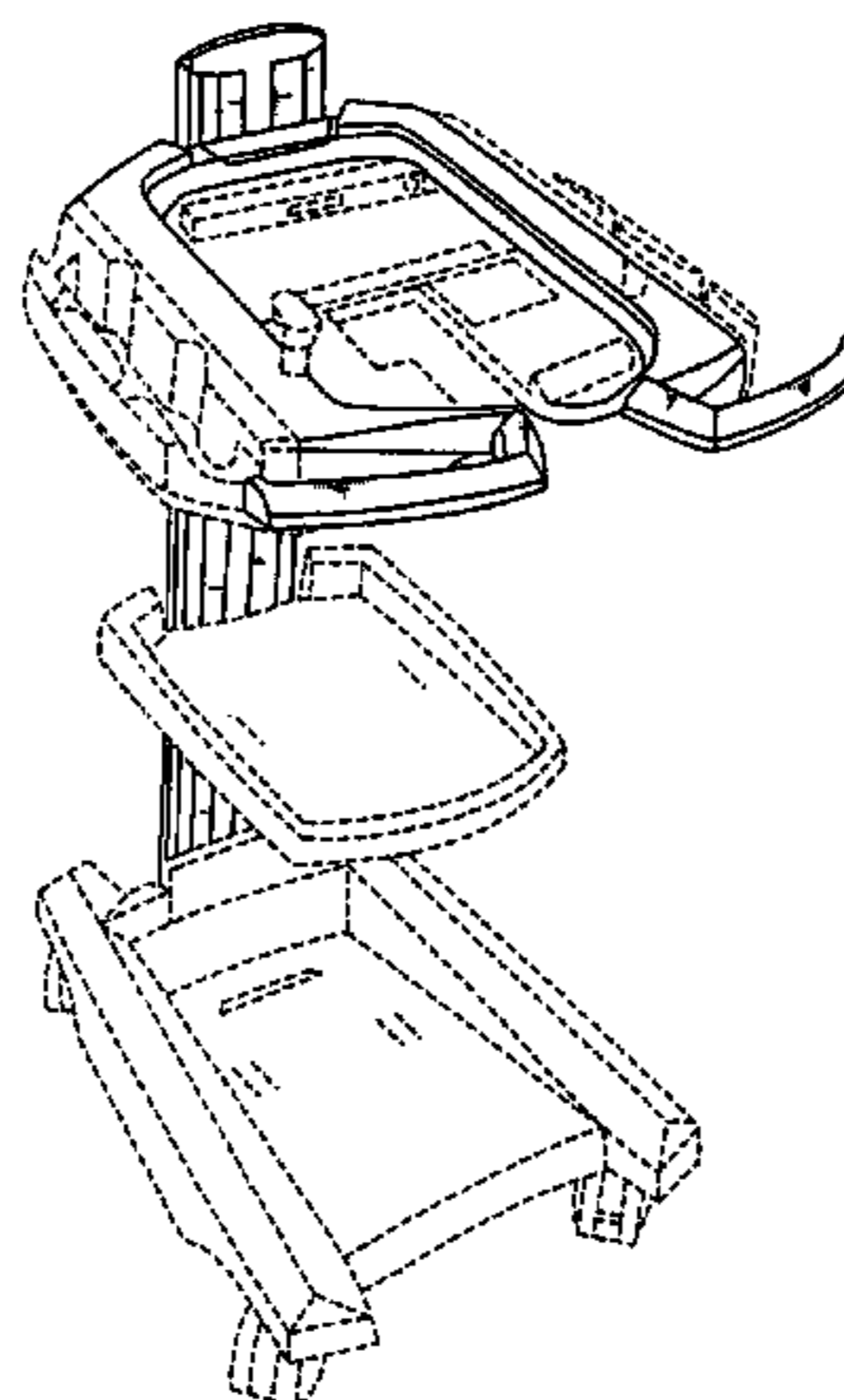


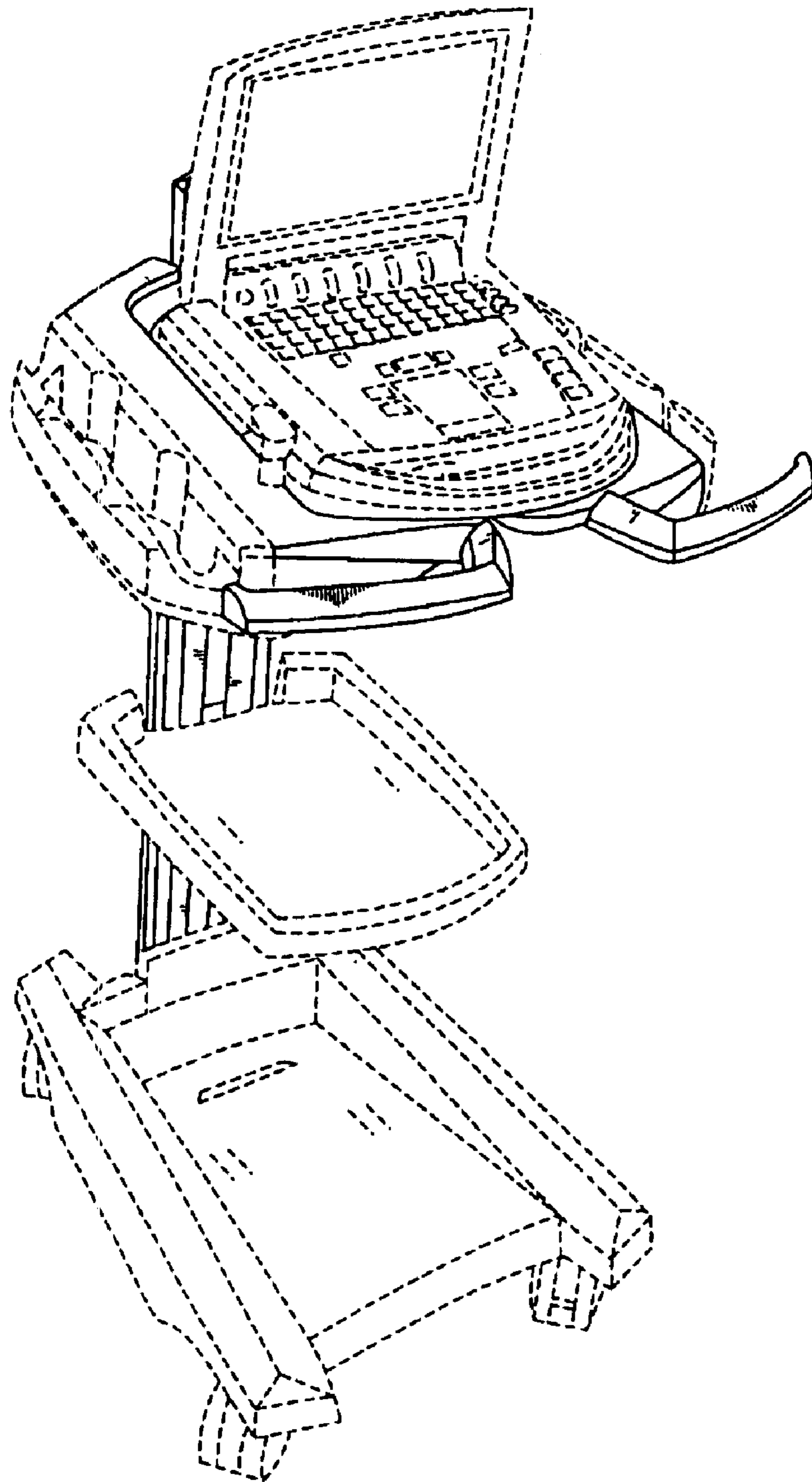
FIG. 5 is an isometric view of the bottom of the top shelf of the embodiment of FIG. 1, wherein the support ribs and the ultrasound transducer holding trays are shown for environmental purposes only and form no part of the claimed design of this embodiment; and,

FIG. 6 is a view of the bottom of the vertical support member, wherein the bottom accessory shelf and base and the power outlet strip are shown for environmental purposes only and form no part of the claimed design of this embodiment.

It should be understood that the labels used herein for describing orientation (e.g., front, rear, top, bottom, right, and left) are merely for reference, and the design may be disposed in any manner and still be within the scope of the present invention. The portions of the article in broken lines are shown for illustrative purposes only and form no part of the claimed design. The portions of the article not visible in the views above form no part of the claimed design of the illustrated embodiments.

**1 Claim, 6 Drawing Sheets**

*FIG. 1*



*FIG. 2*

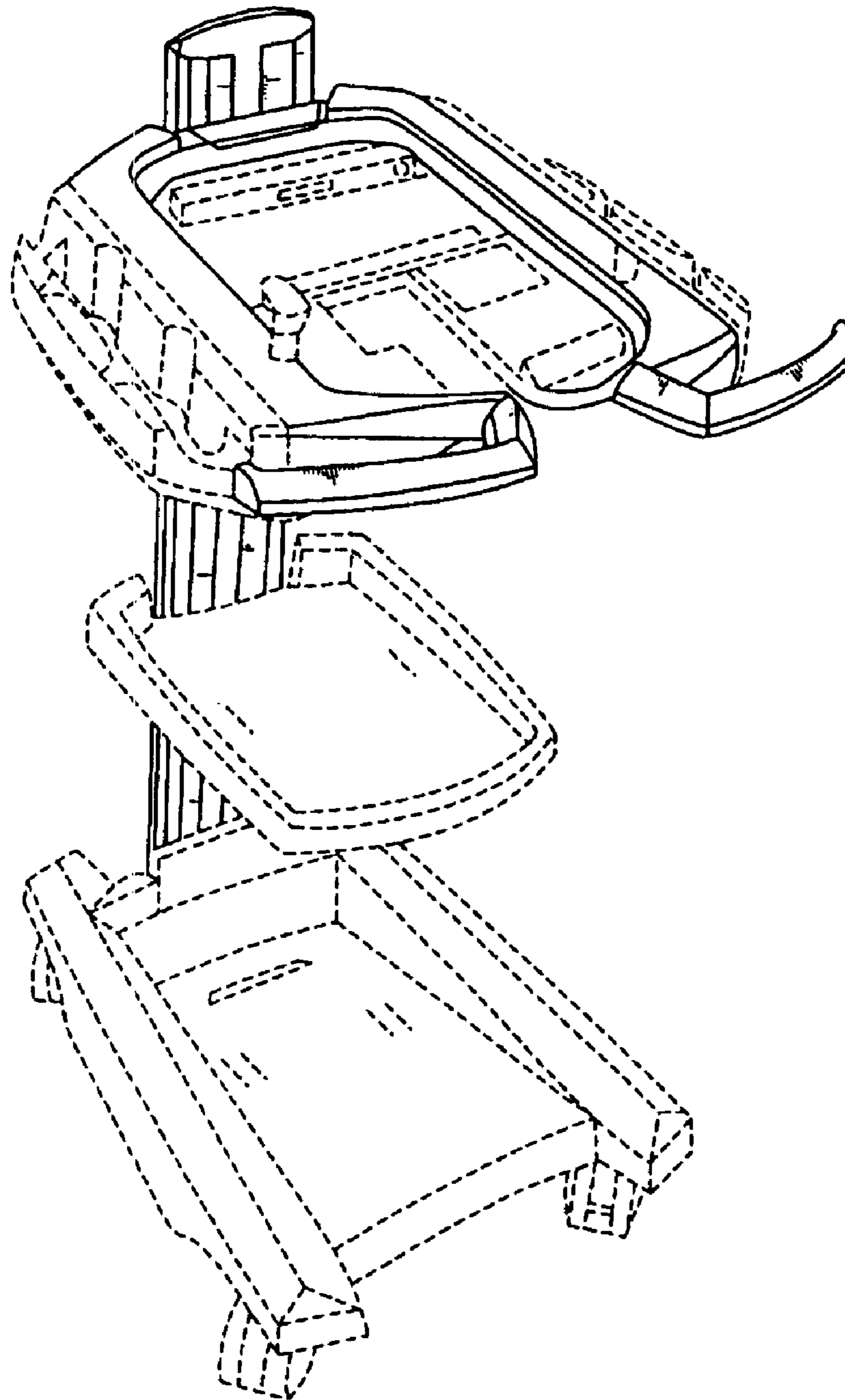


FIG. 3

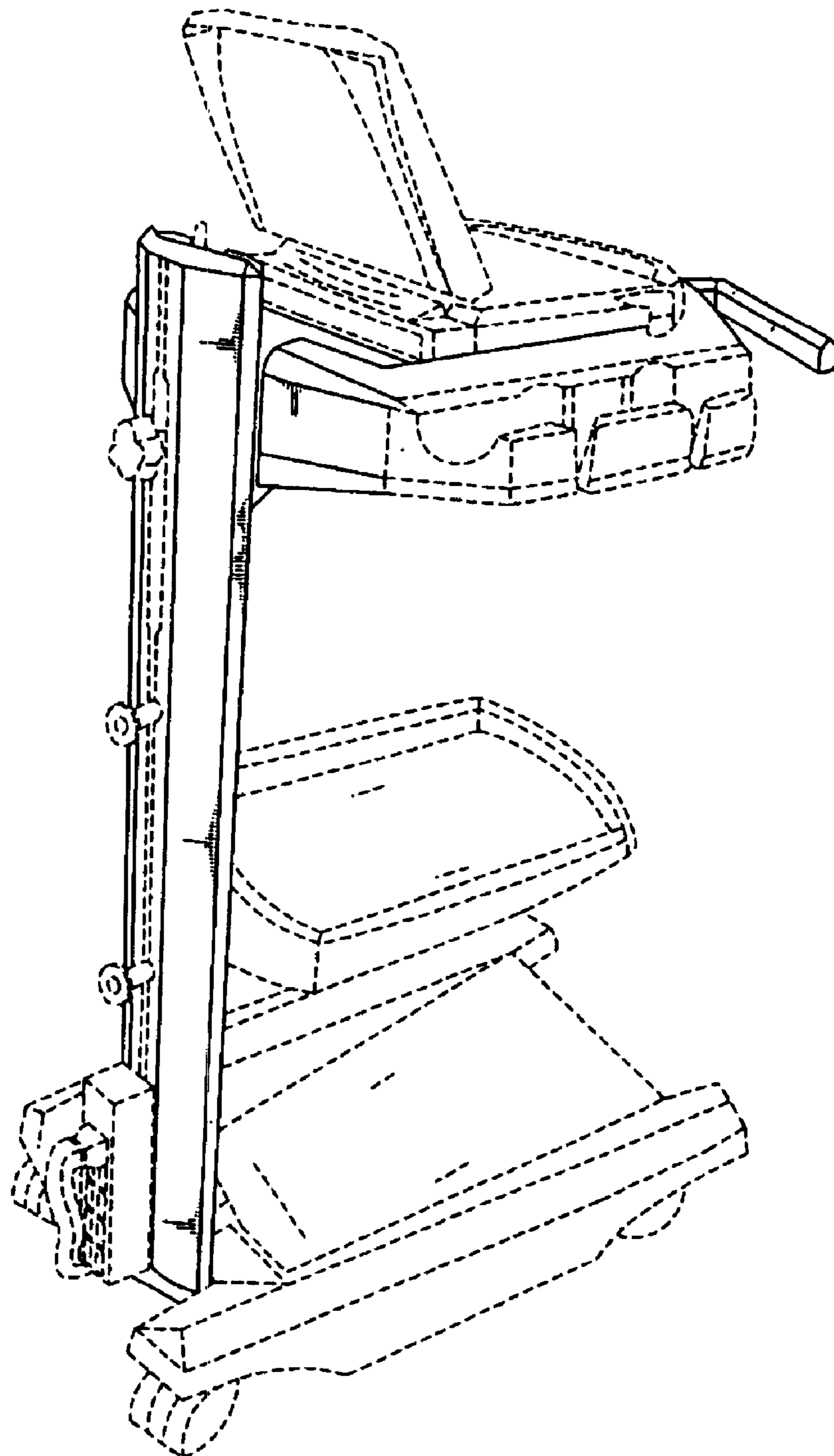


FIG. 4

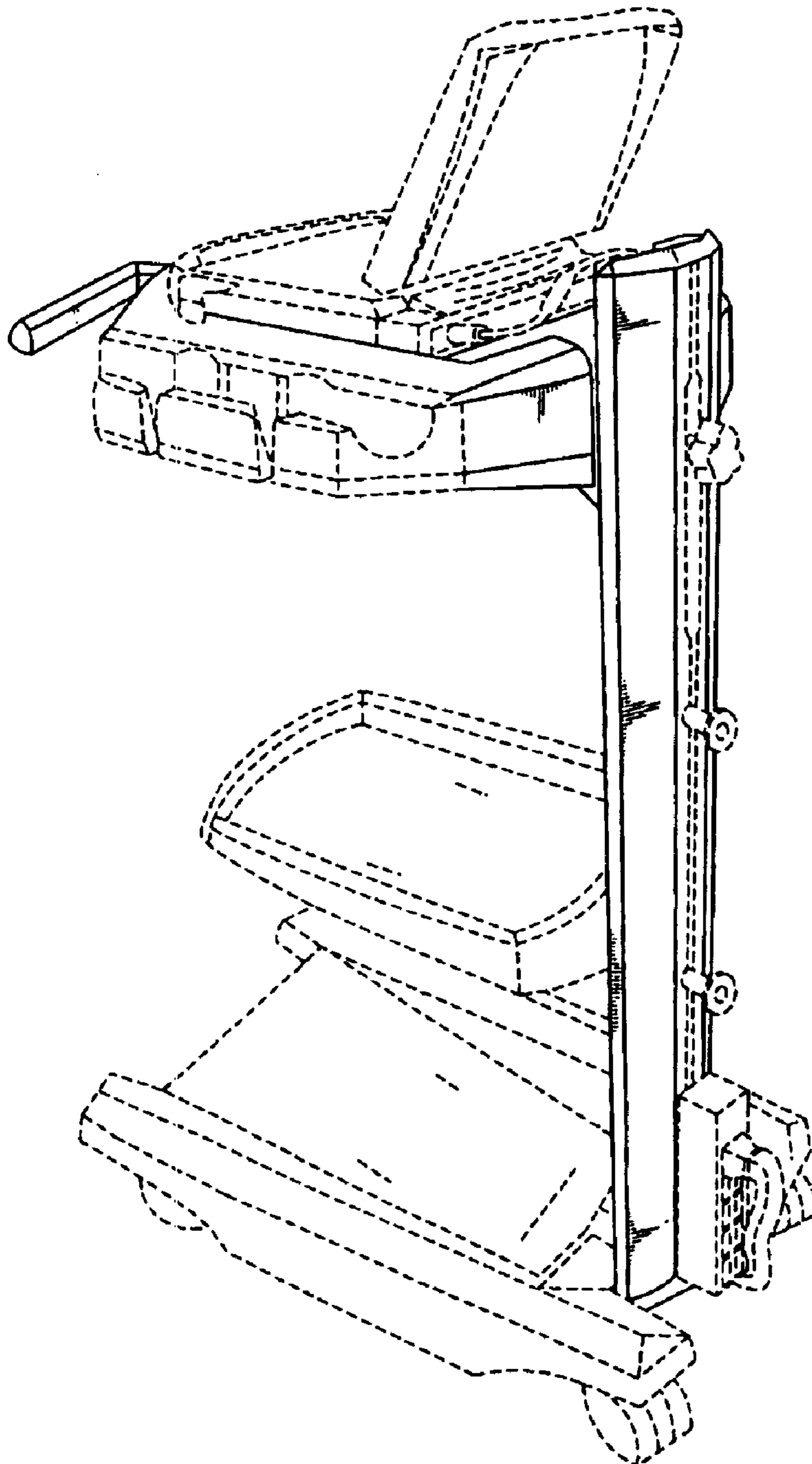
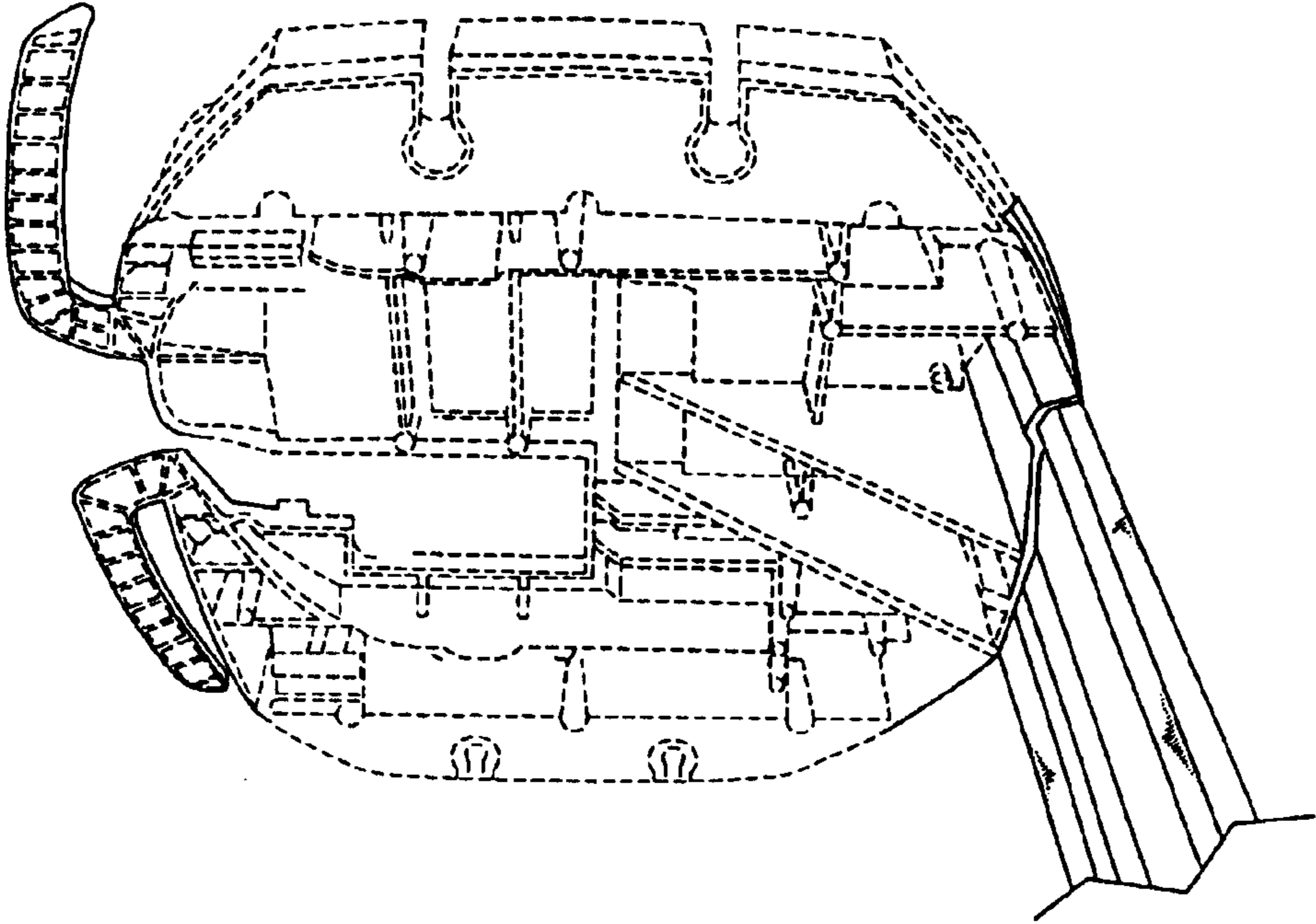
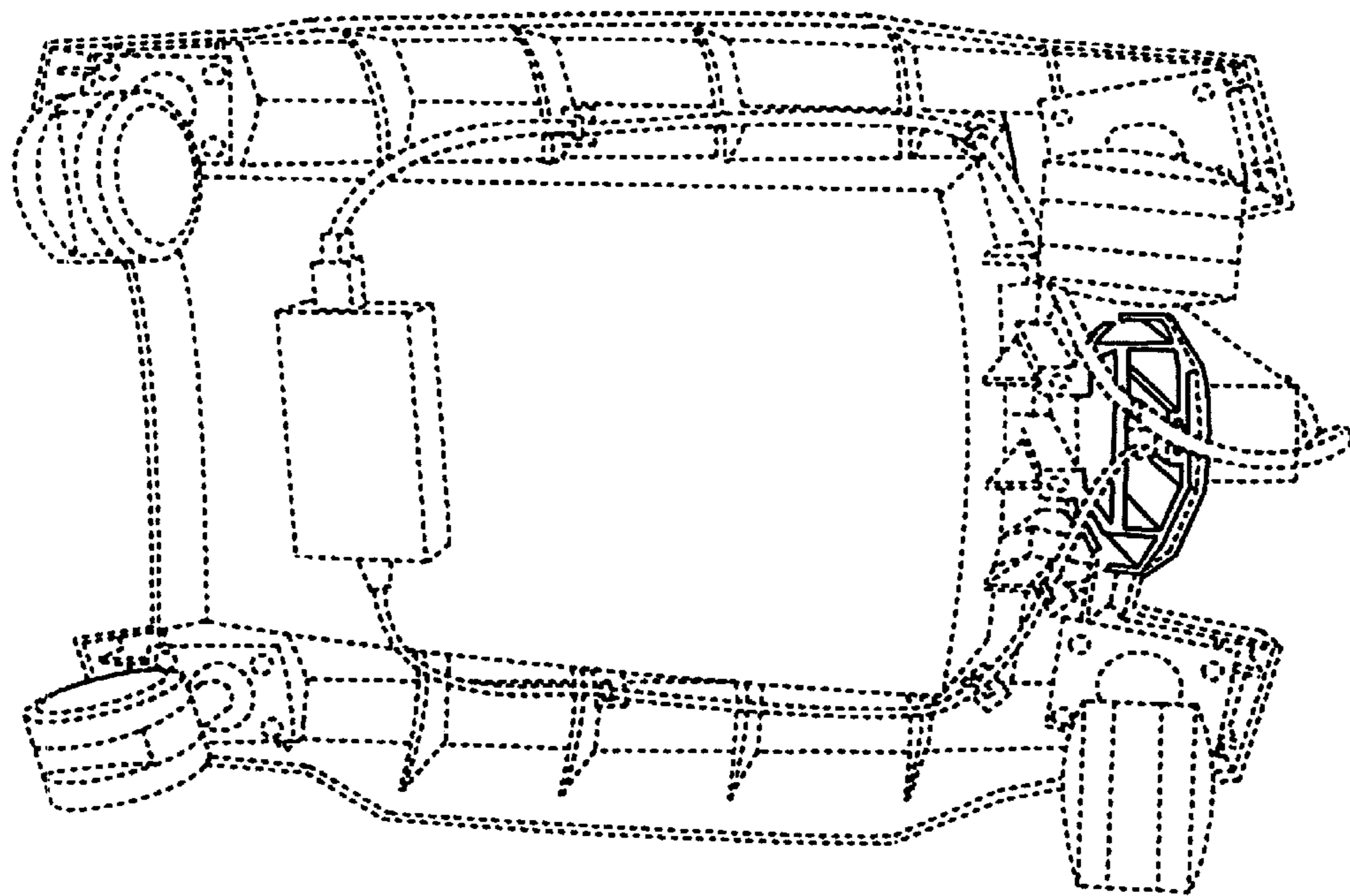


FIG. 5





*Fig. 6*