

US00D544959S

(12) **United States Design Patent**  
**Sudo**

(10) **Patent No.:** **US D544,959 S**  
(45) **Date of Patent:** **\*\* Jun. 19, 2007**

(54) **SEALING DEVICE FOR MEDICINE CONTAINER OR MEDICAL APPARATUS**

(75) Inventor: **Morihiro Sudo**, Tokyo (JP)

(73) Assignee: **Daikyo Seiko, Ltd.**, Tokyo (JP)

(\*\*) Term: **14 Years**

(21) Appl. No.: **29/262,123**

(22) Filed: **Jun. 27, 2006**

(30) **Foreign Application Priority Data**

Dec. 28, 2005 (JP) ..... 2005-38558

(51) **LOC (8) Cl.** ..... **24-04**

(52) **U.S. Cl.** ..... **D24/121; D9/453**

(58) **Field of Classification Search** ..... D24/121, D24/127, 122, 224; D9/453, 452, 454, 729, D9/690, 688, 569, 503, 429; D7/511, 629, D7/510; 222/566-568, 562, 546, 481; 215/331, 215/330, 329, 328, 324, 316

See application file for complete search history.

(56) **References Cited**

**U.S. PATENT DOCUMENTS**

D309,863 S *	8/1990	Baxter	.....	D24/224
D353,464 S *	12/1994	Ushikubo	.....	D24/224
D399,048 S *	10/1998	Sayre	.....	D9/453
D415,962 S *	11/1999	Garcia	.....	D9/453
D465,731 S *	11/2002	Brant et al.	.....	D9/453
D481,314 S *	10/2003	Noonan	.....	D9/452
D481,801 S *	11/2003	Whitley	.....	D24/224
D487,700 S *	3/2004	Bourque et al.	.....	D9/453
D496,222 S *	9/2004	Kleckauskas et al.	.....	D7/510
D500,677 S *	1/2005	Druitt	.....	D9/452
D511,437 S *	11/2005	Brown	.....	D9/429
D534,796 S *	1/2007	Falkenburg	.....	D9/452

D534,802 S \* 1/2007 German ..... D9/453

\* cited by examiner

*Primary Examiner*—Louis Zarfaz

*Assistant Examiner*—David Muller

(74) *Attorney, Agent, or Firm*—Armstrong, Kratz, Quintos, Hanson & Brooks, LLP

(57) **CLAIM**

The ornamental design for a sealing device for medicine container or medical apparatus, as shown and described.

**DESCRIPTION**

FIG. 1 is a front view of the sealing device for medicine container or medical apparatus of the present invention;

FIG. 2 is a plan view thereof;

FIG. 3 is a left side view thereof;

FIG. 4 is a right side view thereof;

FIG. 5 is a back view thereof;

FIG. 6 is a bottom view thereof;

FIG. 7 is a perspective view from the front side thereof;

FIG. 8 is a perspective view from the bottom side thereof;

FIG. 9 is a IX—IX cross-sectional view taken from FIG. 1 thereof;

FIG. 10 is a perspective view from the front side thereof;

FIG. 11 is a perspective view from the bottom side thereof; and,

FIG. 12 is a XII—XII cross-sectional view taken from FIG. 1 thereof.

The broken line showing of the bottle is included for the purpose of illustrating use and environment and forms no part of the claimed design.

**1 Claim, 8 Drawing Sheets**

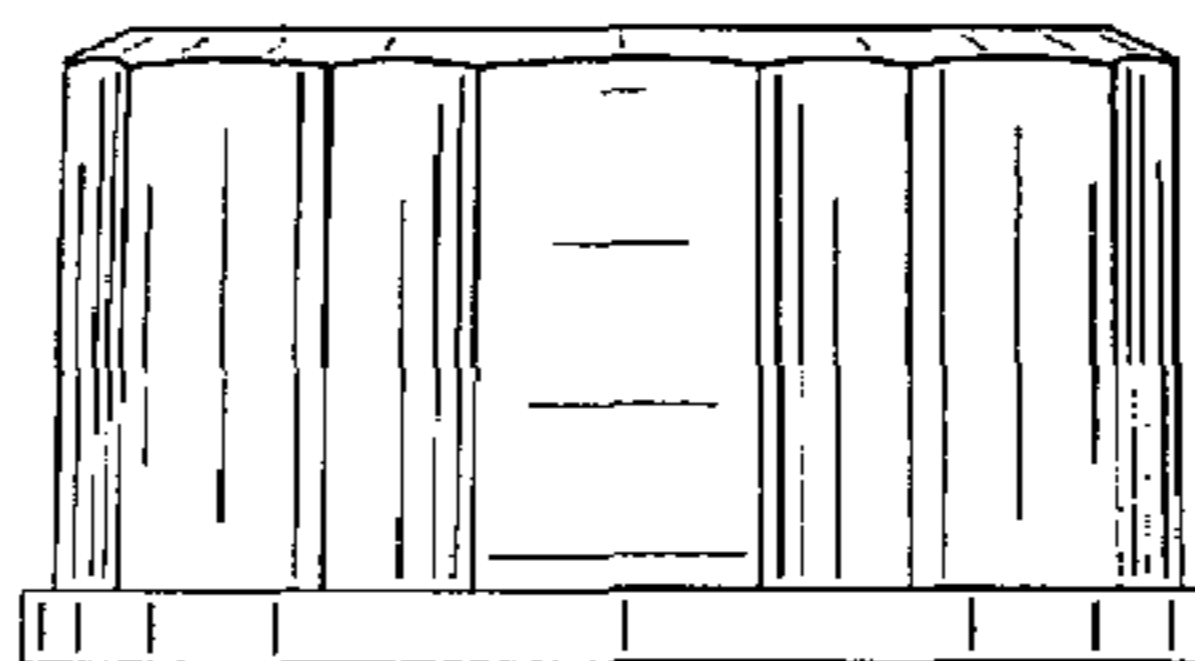
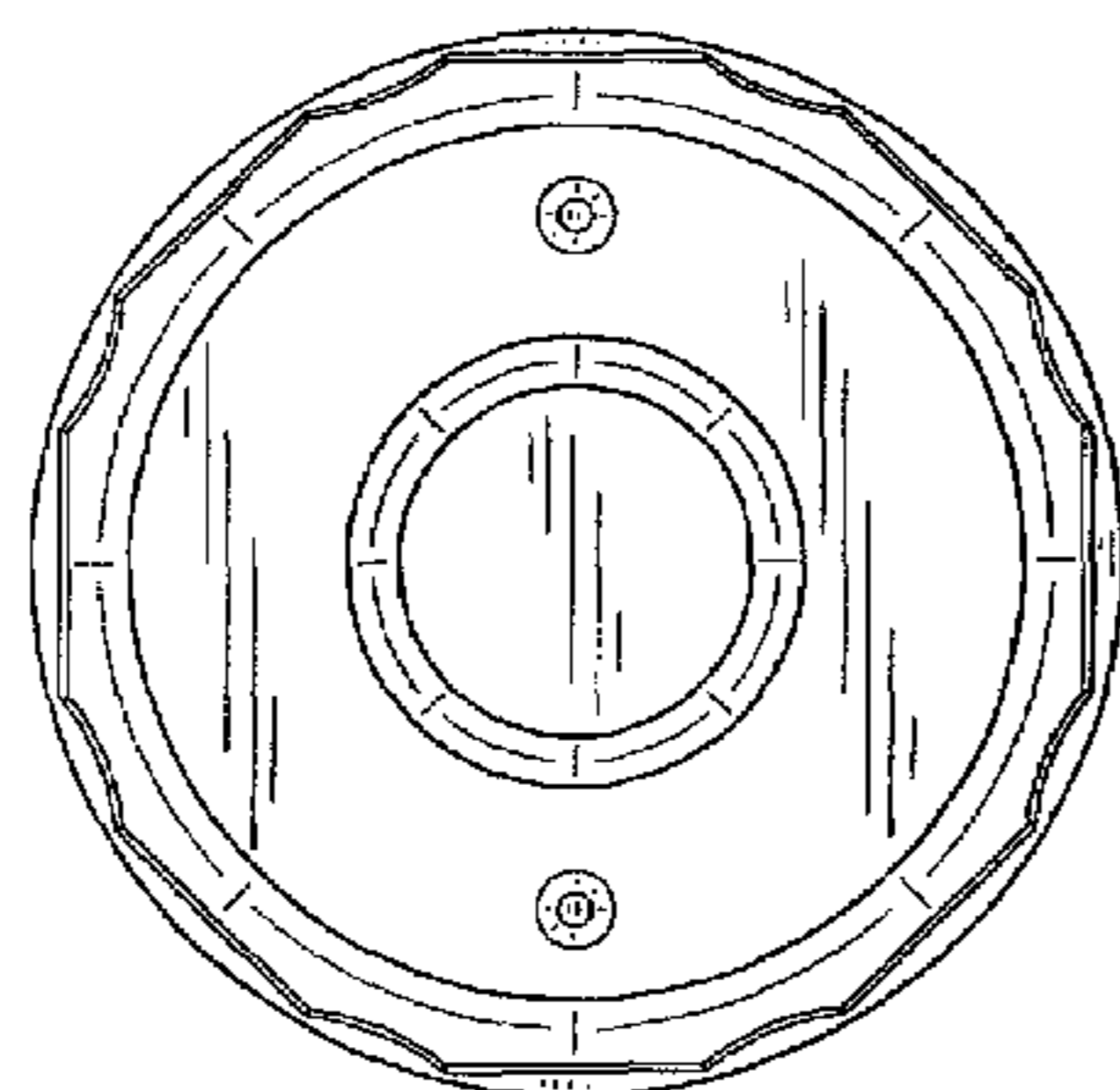
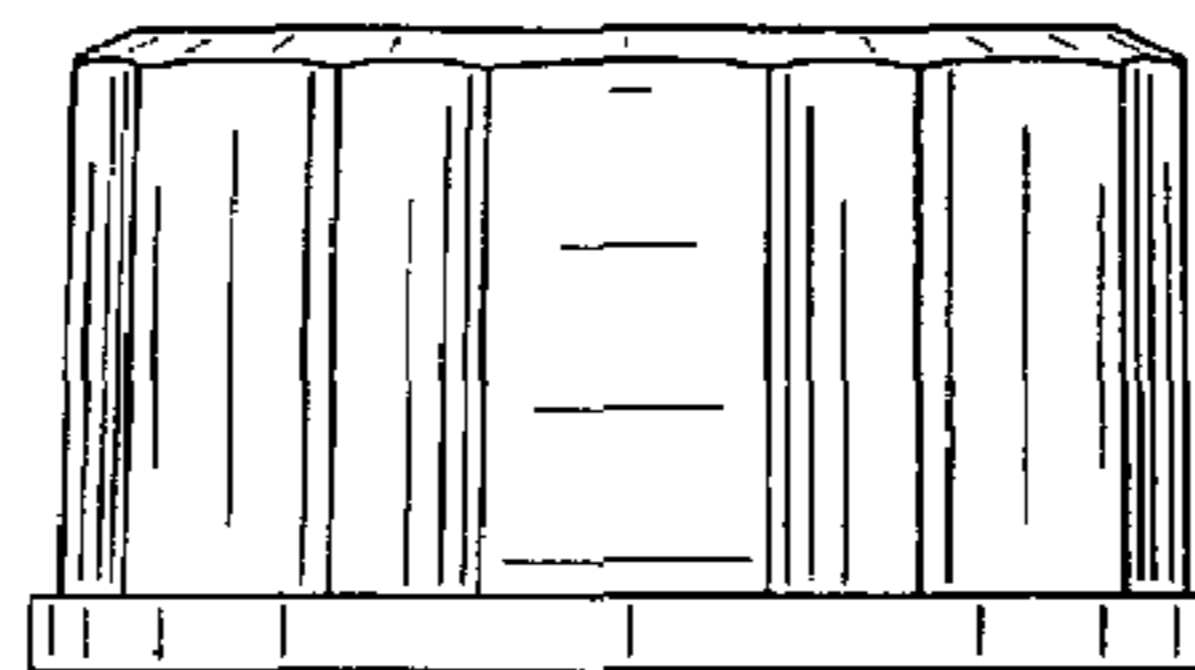
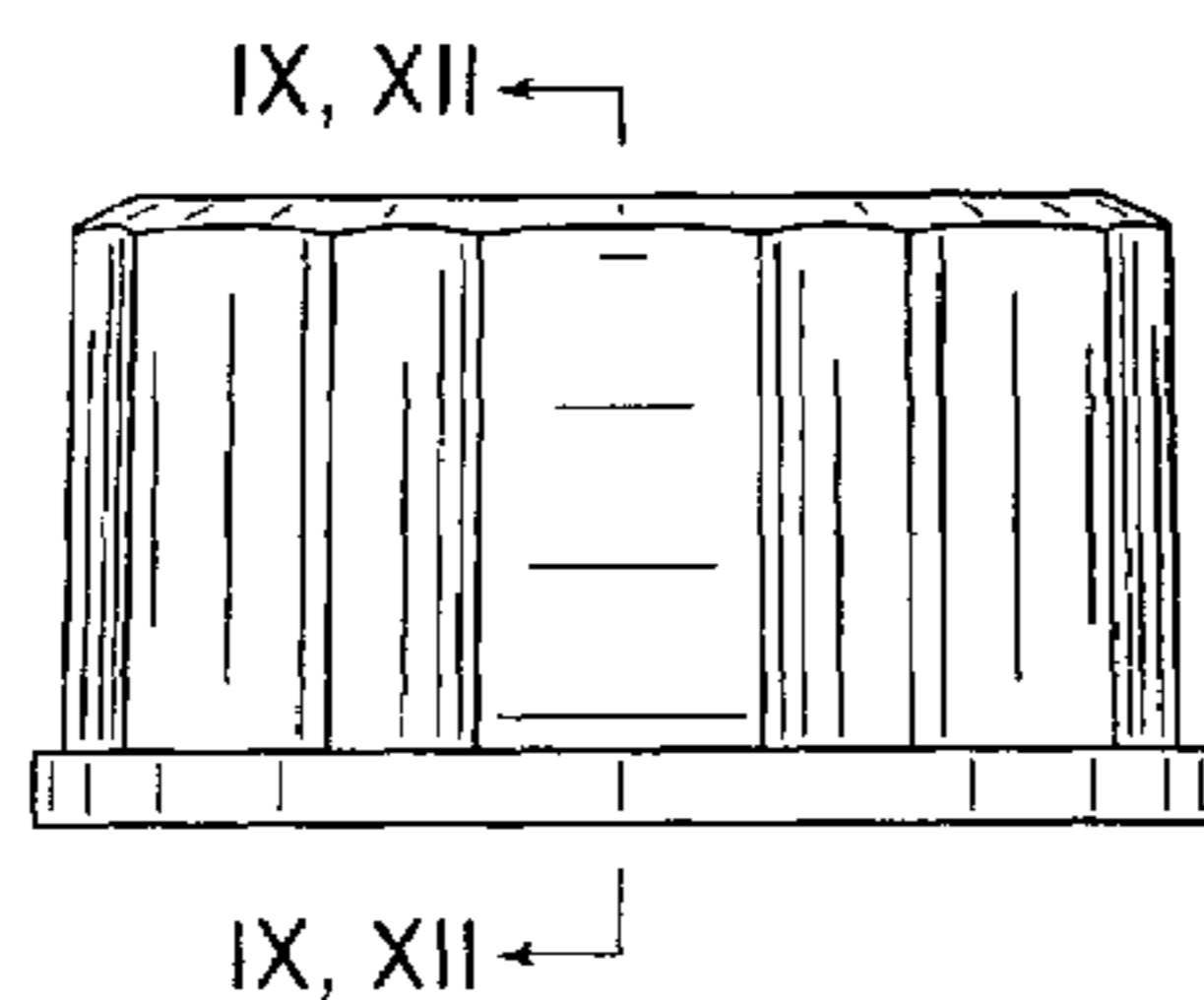


Fig. 1

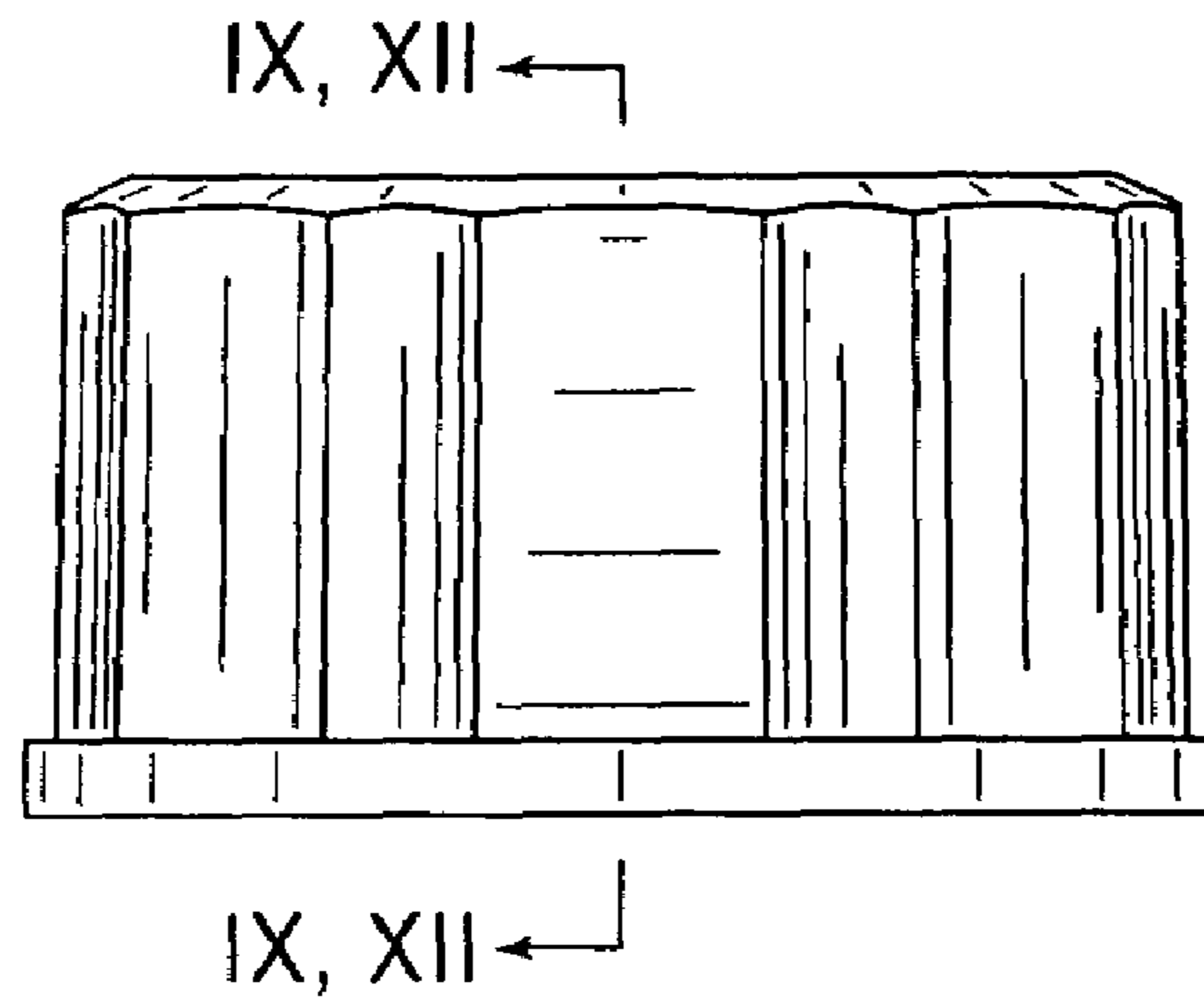


Fig. 2

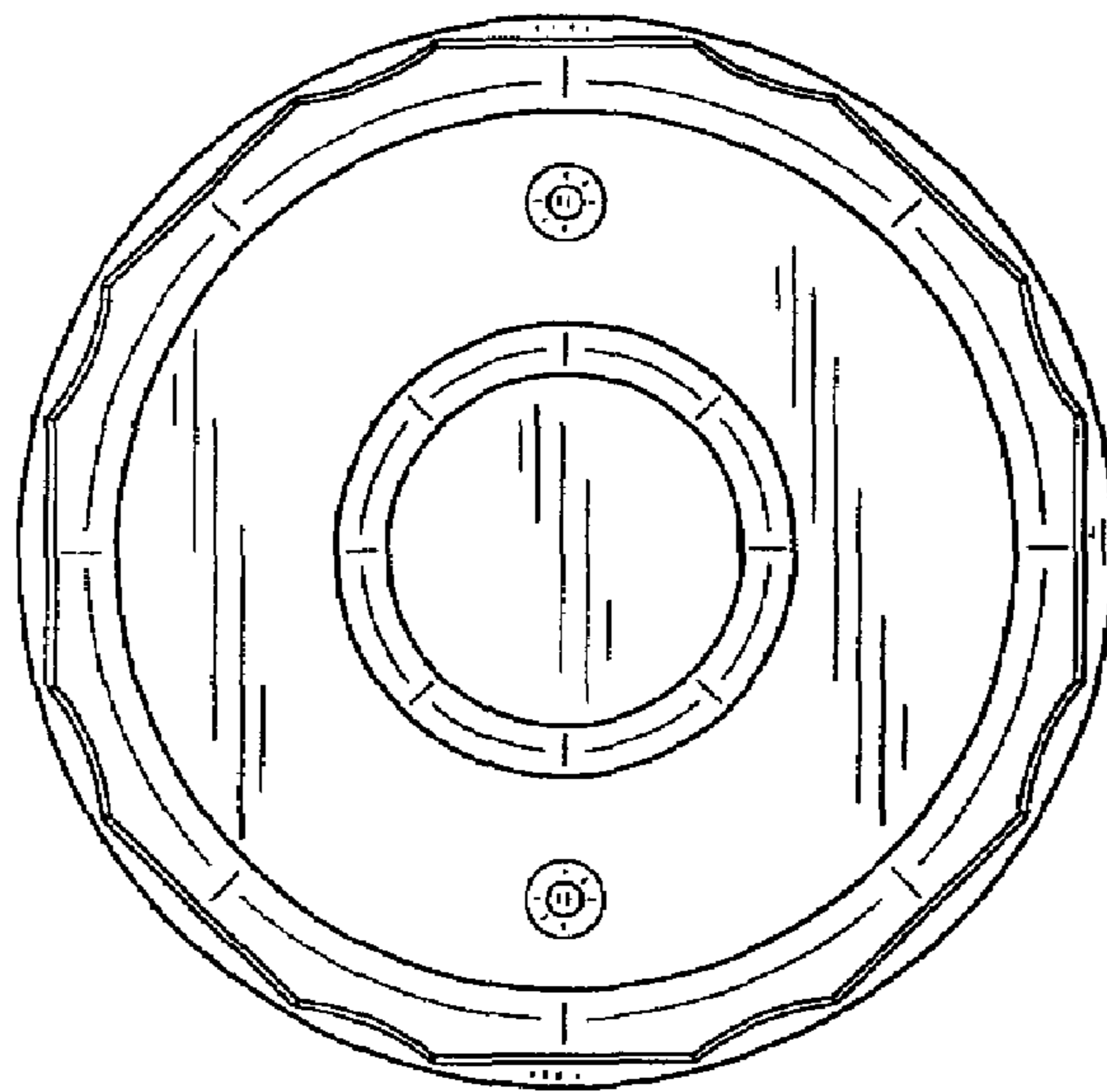


Fig.3

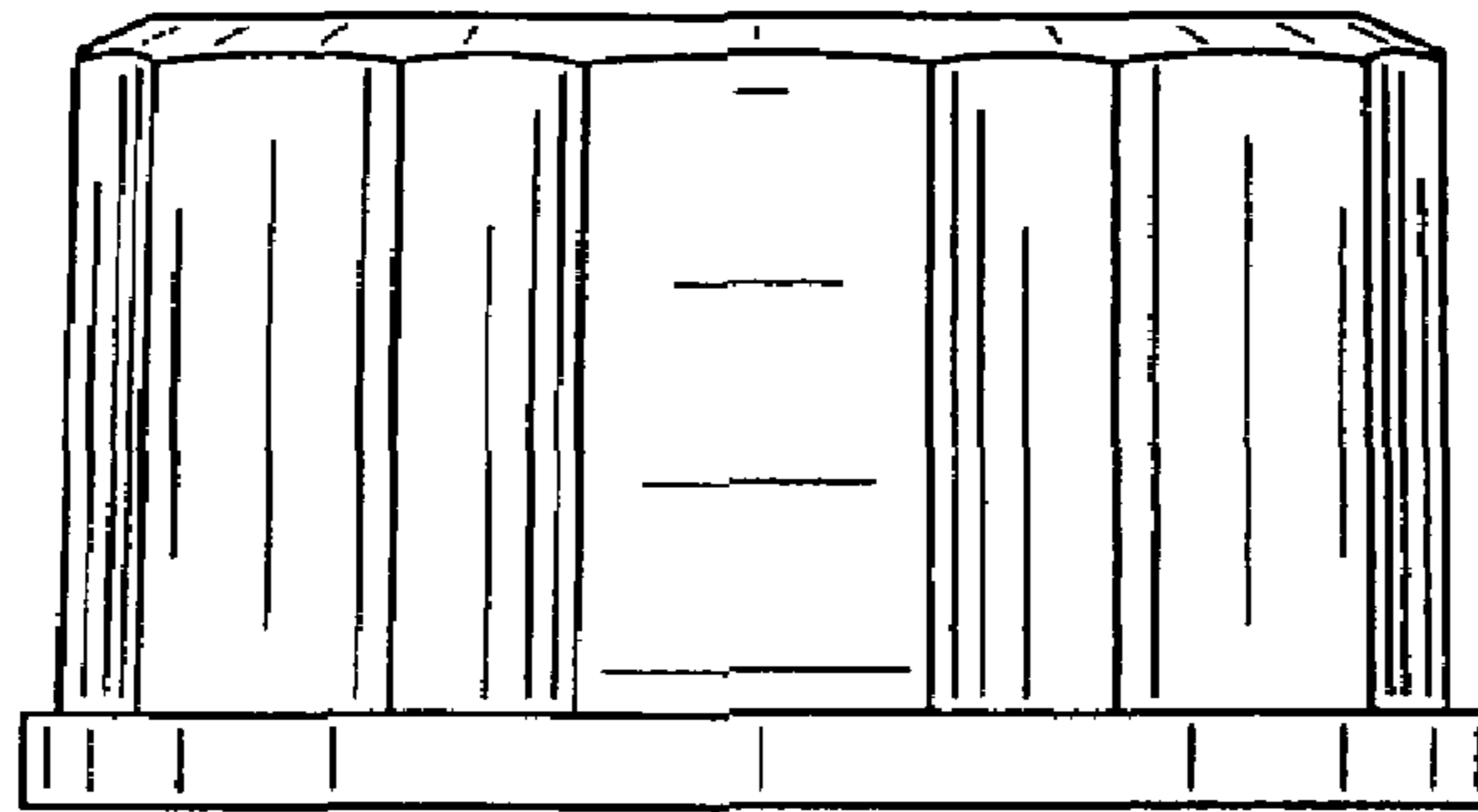


Fig.4

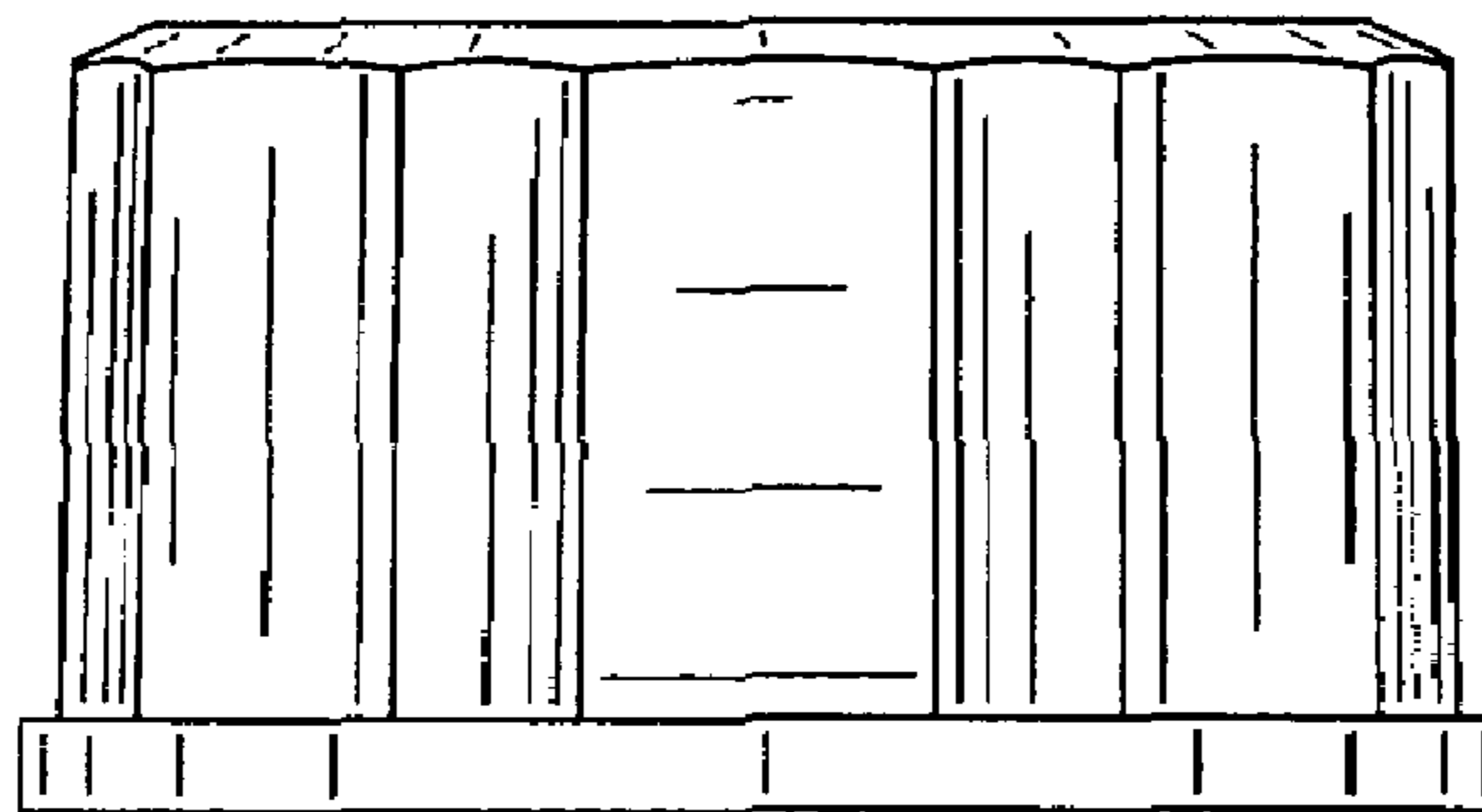


Fig.5

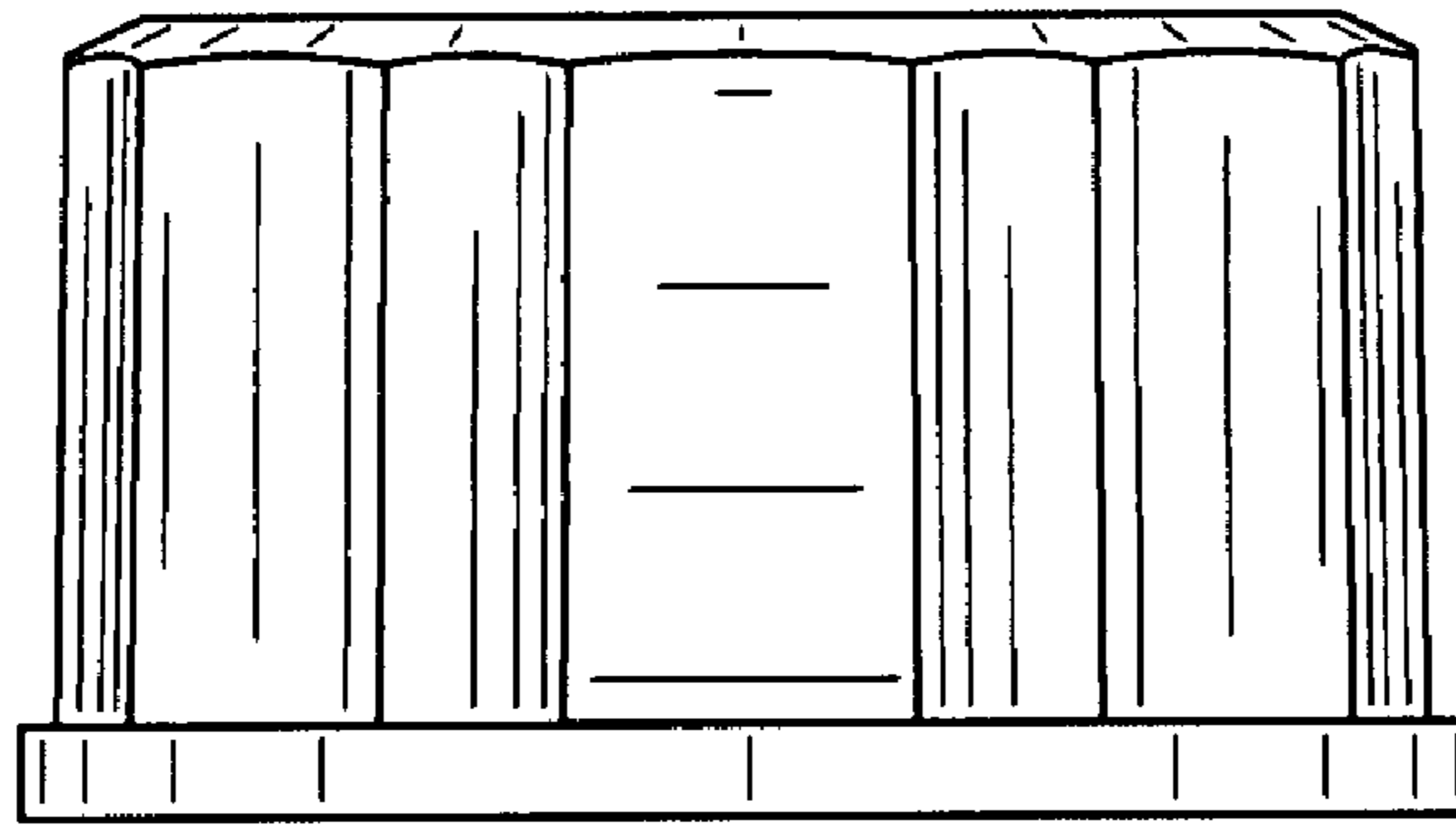


Fig.6

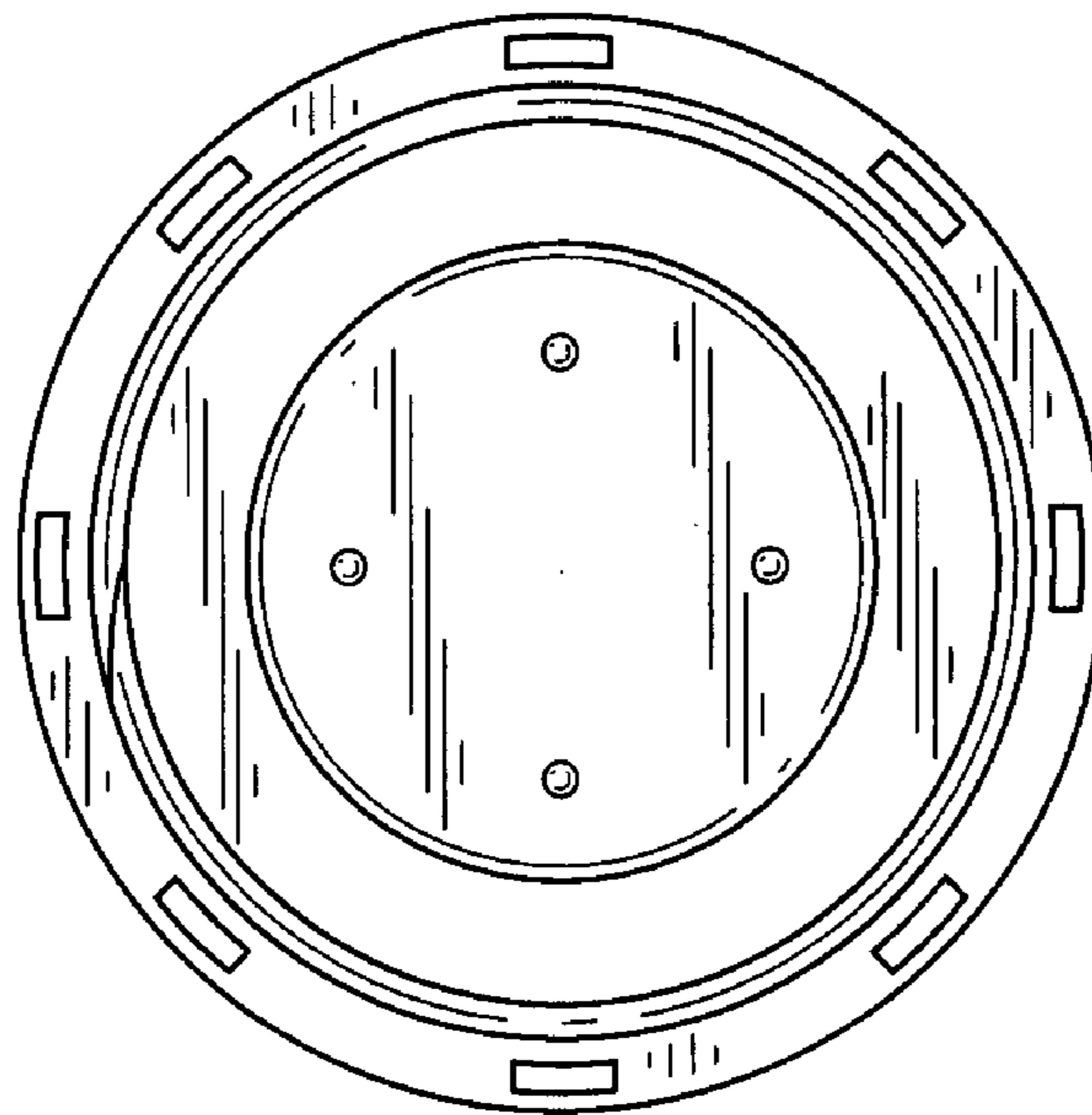


Fig.7

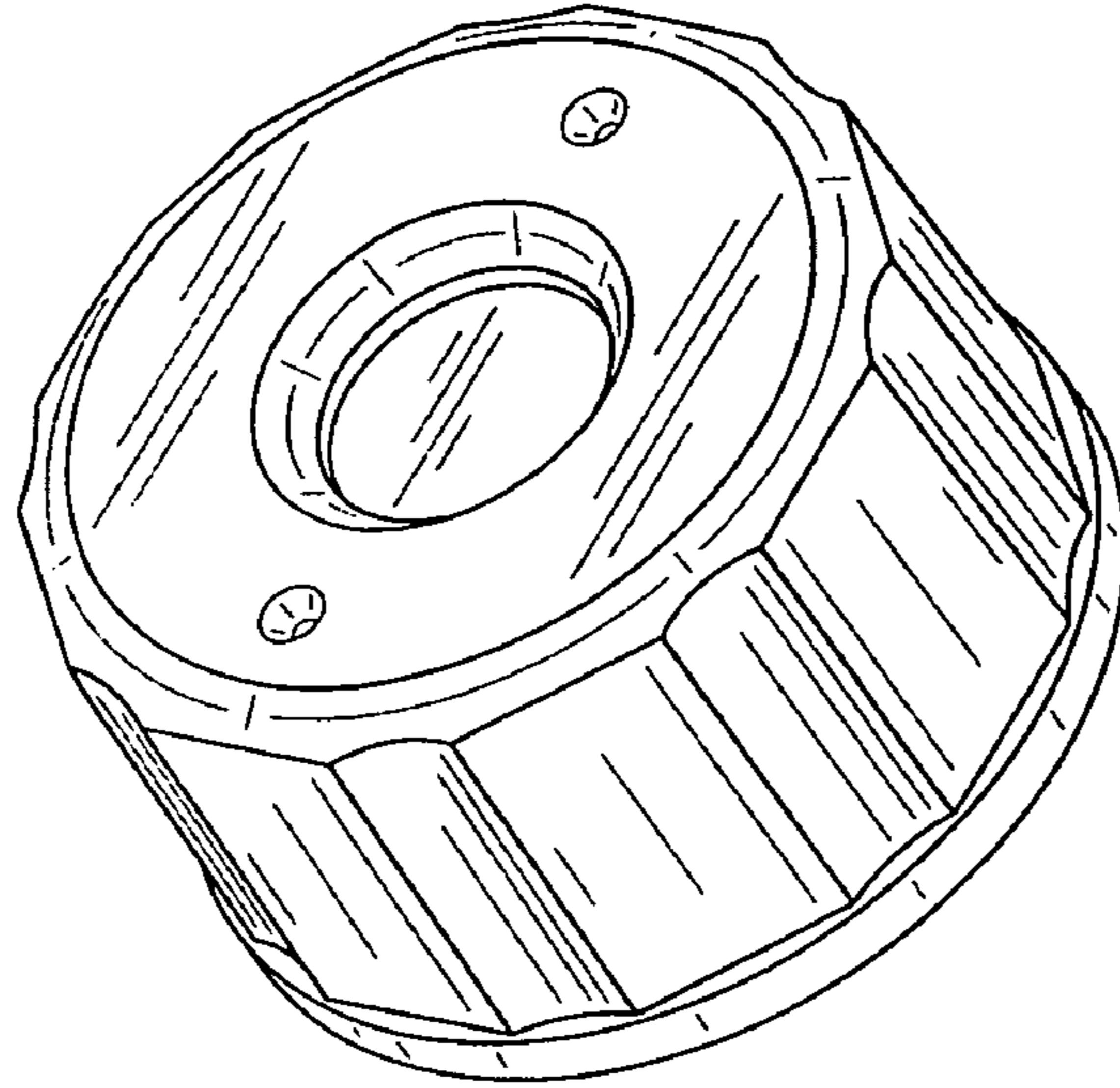


Fig.8

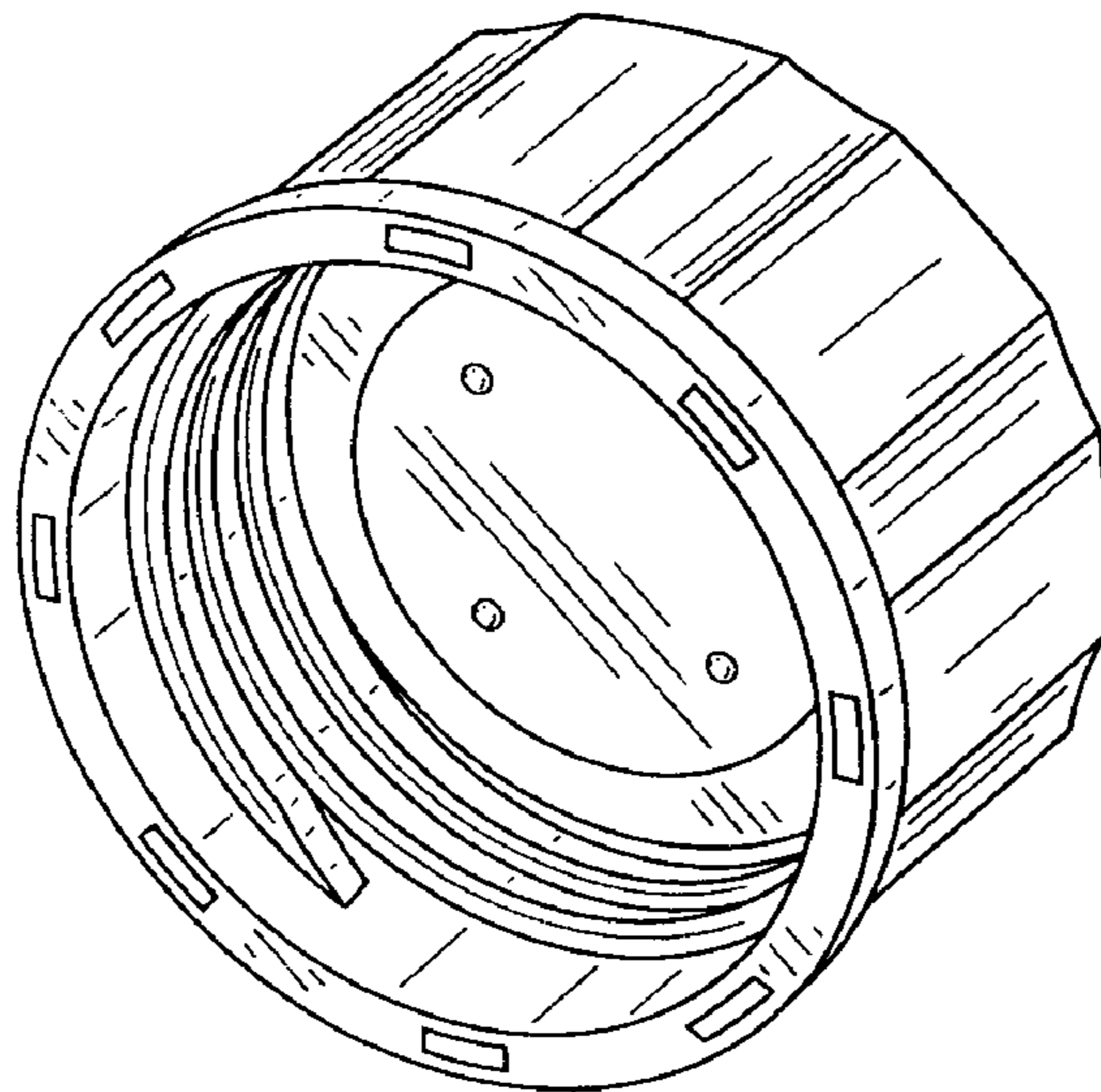


Fig.9

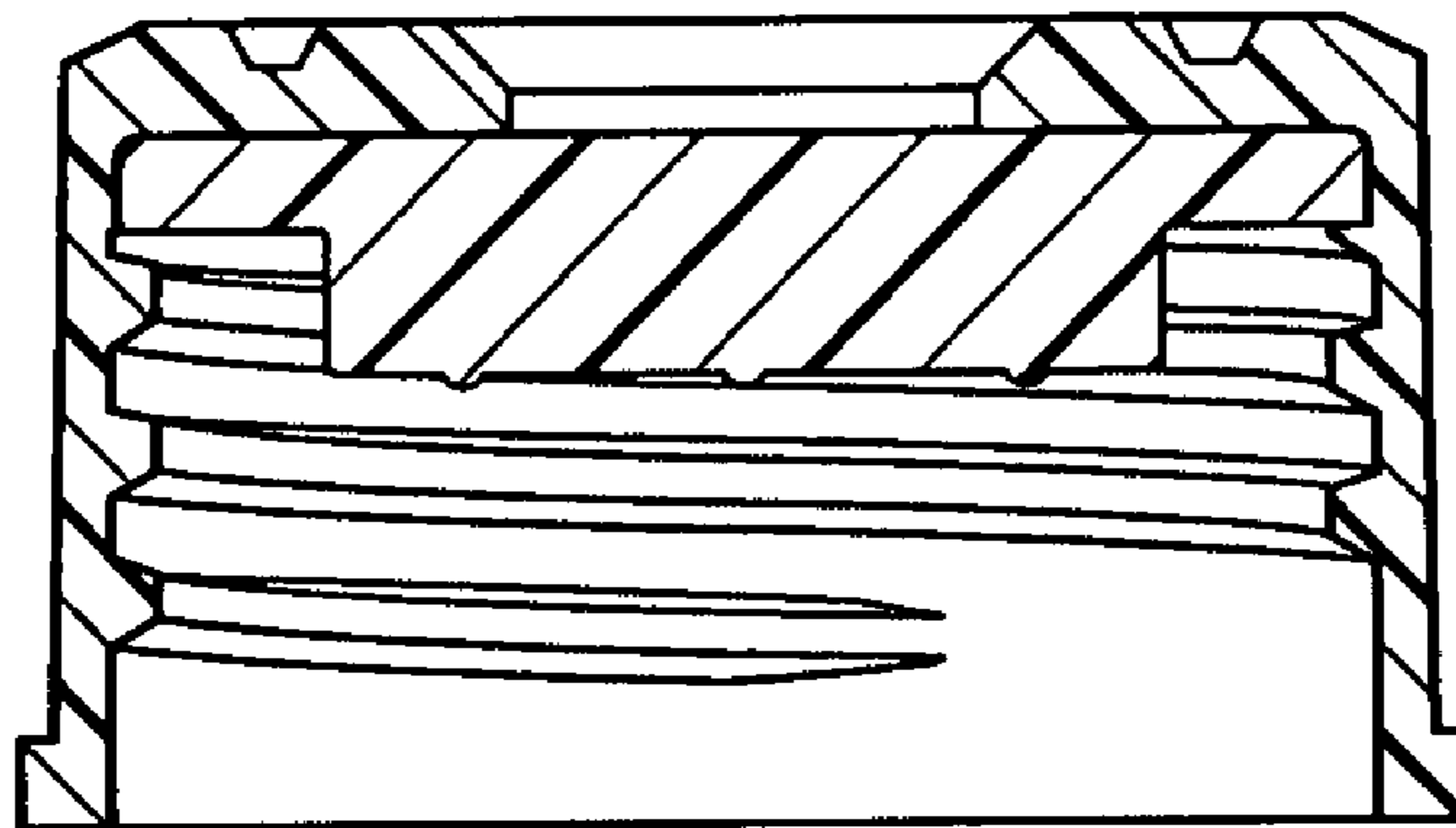


Fig.10

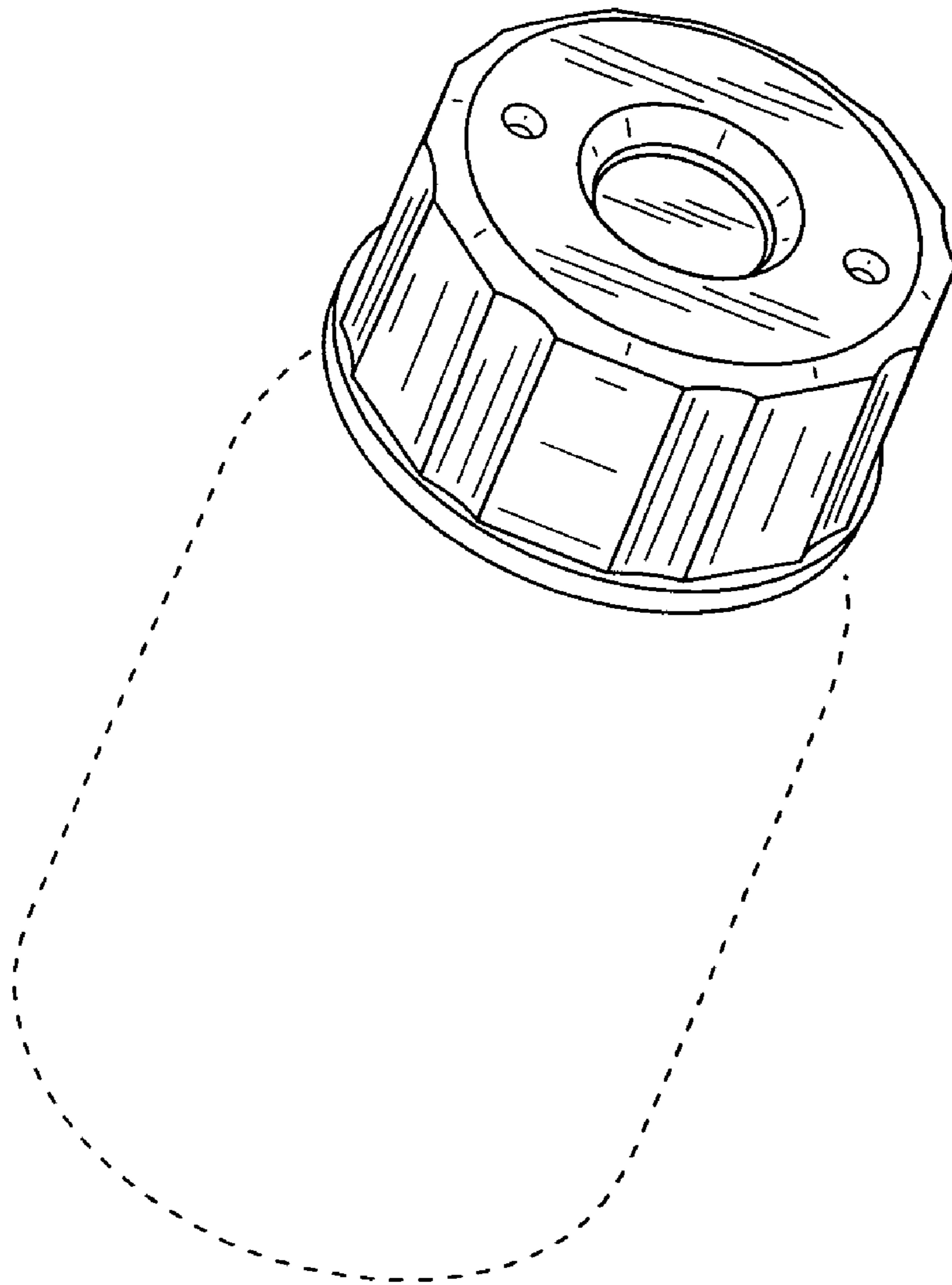


Fig.11

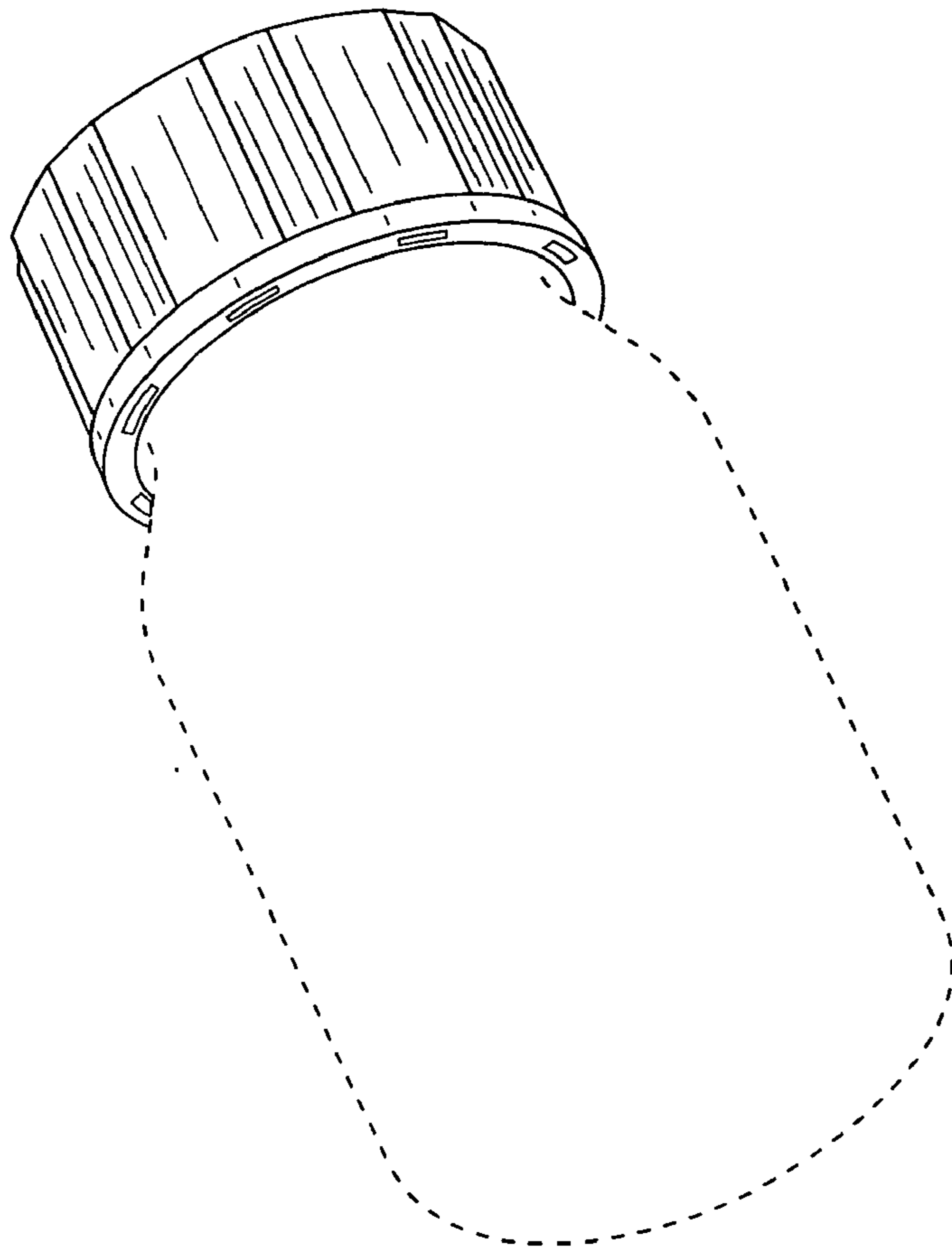




Fig.12

