



US00D544957S

(12) **United States Design Patent**
Bloc

(10) **Patent No.:** **US D544,957 S**

(45) **Date of Patent:** **** Jun. 19, 2007**

(54) **NASAL SPRAY DISPENSER**

(75) Inventor: **Richard Bloc**, Derchigny-Graincourt (FR)

(73) Assignee: **Rexam Dispensing Systems**, Treport (FR)

(**) Term: **14 Years**

(21) Appl. No.: **29/232,088**

(22) Filed: **Jun. 13, 2005**

(30) **Foreign Application Priority Data**

Mar. 23, 2005 (EM) 000313986

(51) **LOC (8) Cl.** **29-02**

(52) **U.S. Cl.** **D24/110**

(58) **Field of Classification Search** D24/110,
D24/110.1-110.5, 111, 133; 128/200.23,
128/200.12, 200.14, 200.15

See application file for complete search history.

(56) **References Cited**

U.S. PATENT DOCUMENTS

- D308,100 S * 5/1990 Bishop et al. D24/110
- D328,244 S * 7/1992 Hamilton et al. D9/724
- D447,230 S * 8/2001 Matsugi et al. D24/110
- D471,973 S * 3/2003 Gillissen et al. D24/110

FOREIGN PATENT DOCUMENTS

FR 506278 8/1920

* cited by examiner

Primary Examiner—Ian Simmons

Assistant Examiner—Christopher Lee

(74) *Attorney, Agent, or Firm*—Fross Zelnick Lehrman & Zissu, P.C.; Charles T.J. Weigell, Esq.

(57) **CLAIM**

The ornamental design for a nasal spray dispenser, as shown and described.

DESCRIPTION

FIG. 1 is a front view of a nasal spray dispenser shown with the cap removed, the rear view being the same thereof; FIG. 2 is a right side view thereof, with the left side view being the same;

FIG. 3 is a top plan view thereof;

FIG. 4 is a front view of a nasal spray dispenser showing our new design, with the rear view being the same thereof;

FIG. 5 is a right side view thereof, with the left side view being the same;

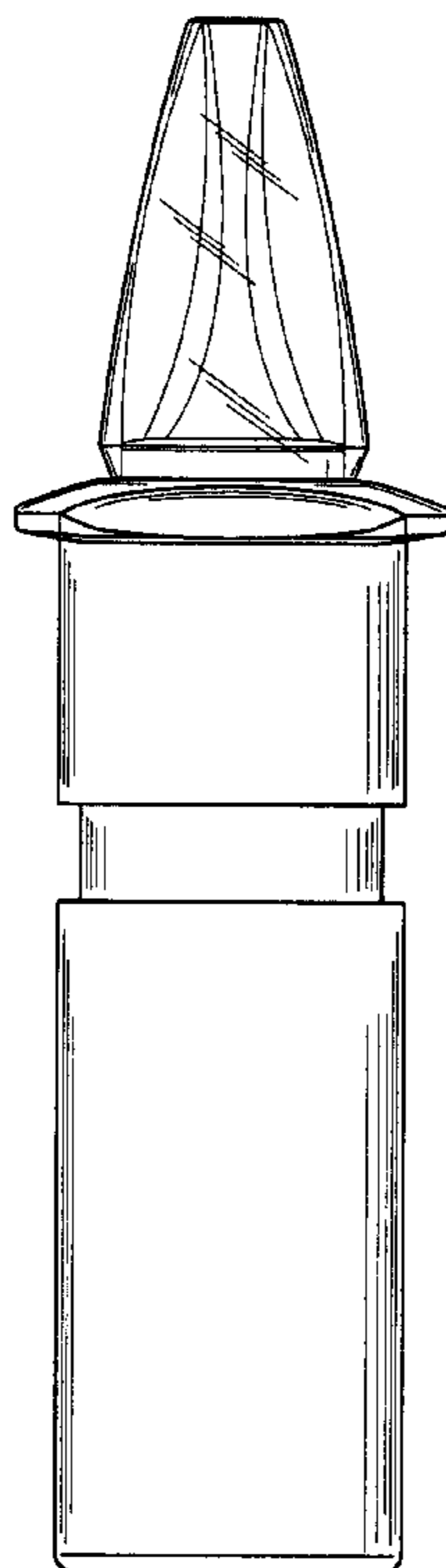
FIG. 6 is a top plan view thereof;

FIG. 7 is a front view of a second embodiment of a nasal spray dispenser showing our new design, with the rear view being the same thereof. The front, rear, right, left and top views shown without the cap being the same as that shown in FIGS. 1-3; and,

FIG. 8 is a right side view of FIG. 7, with the left side view being the same.

The bottom of the nasal spray dispenser is plain and unornamented, and forms no part of the claimed design.

1 Claim, 3 Drawing Sheets



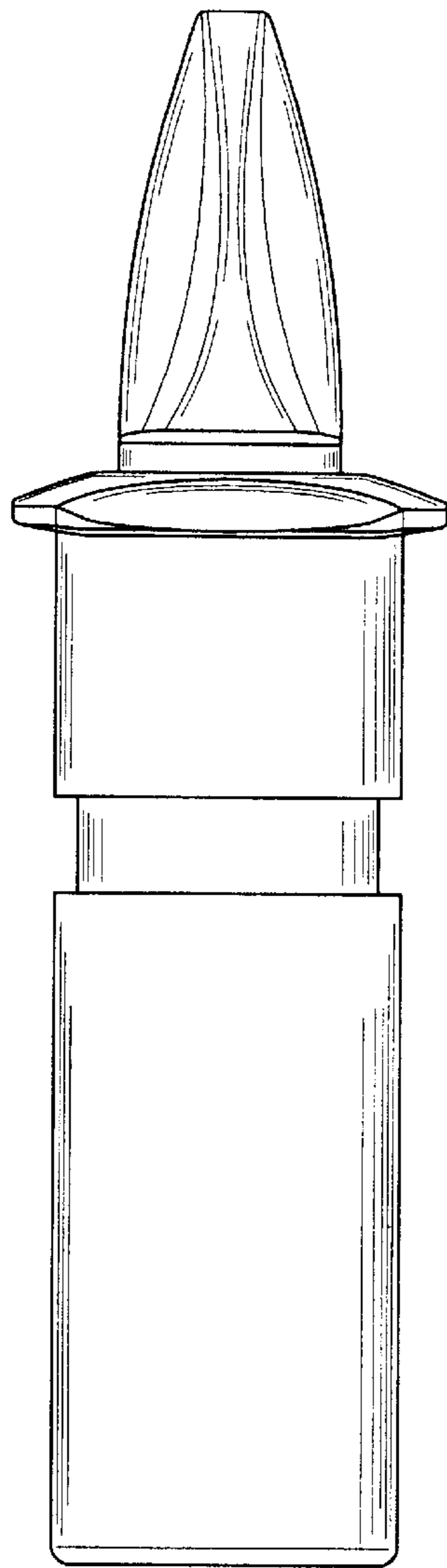


FIG. 1

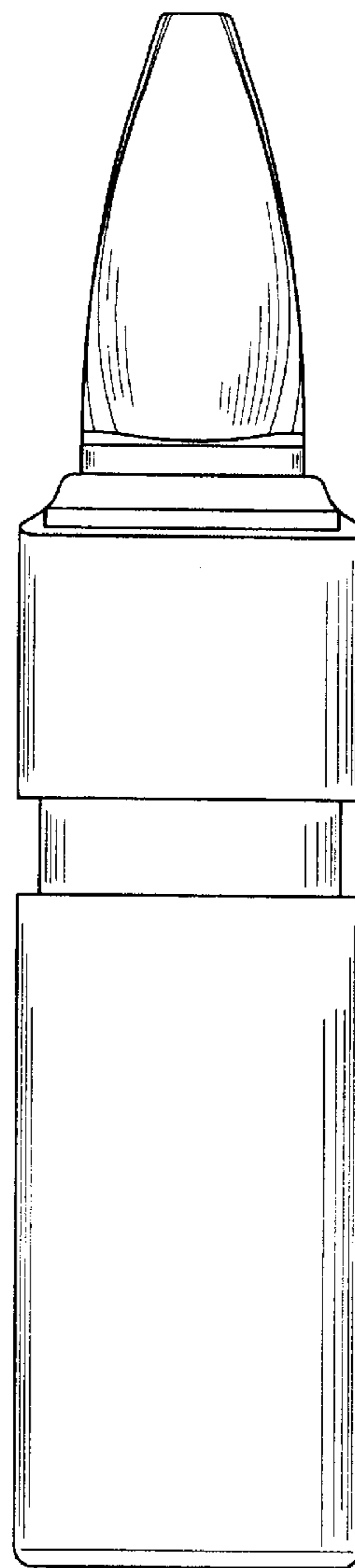


FIG. 2

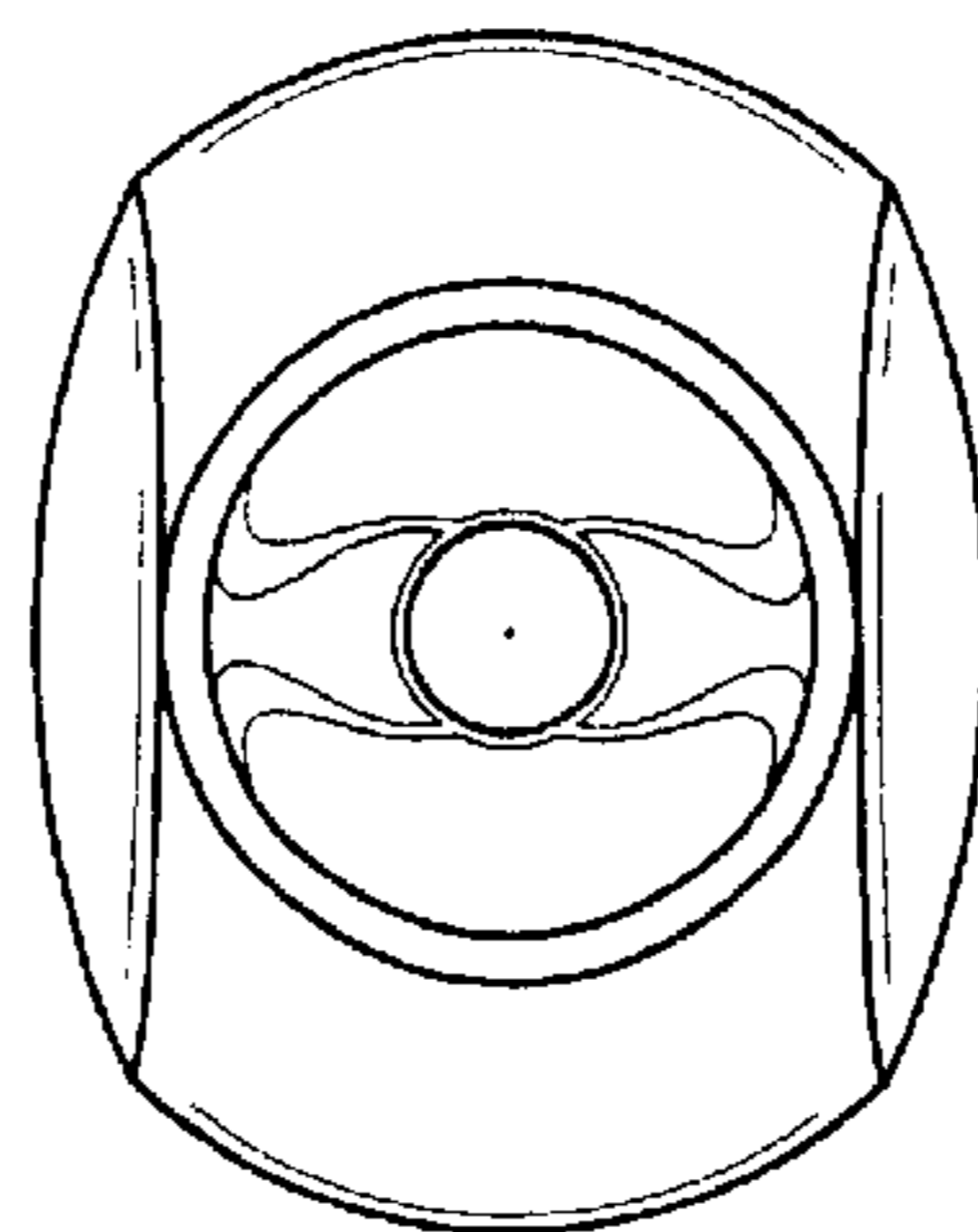


FIG. 3

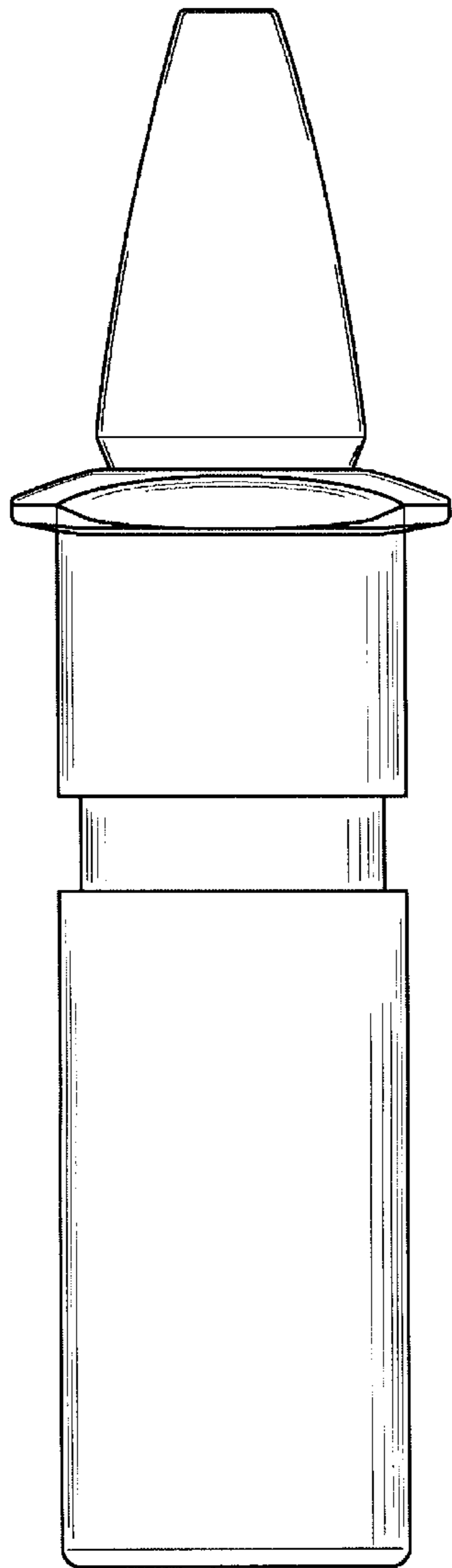


FIG. 4

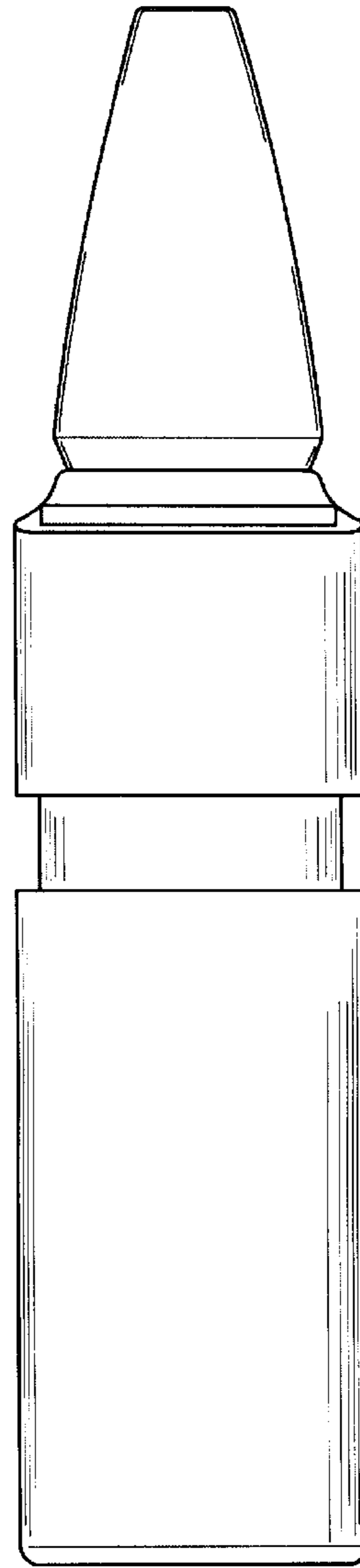


FIG. 5

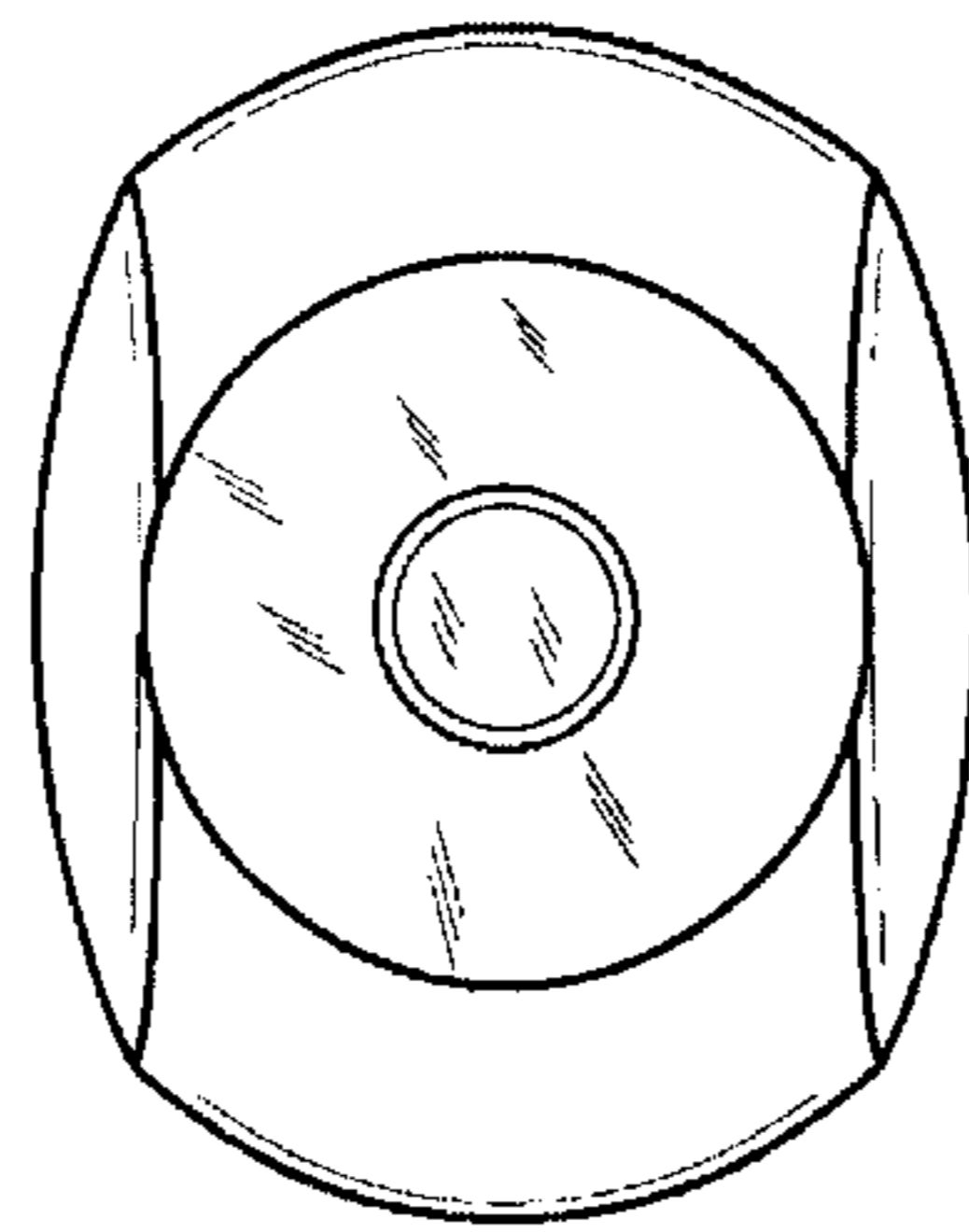


FIG. 6

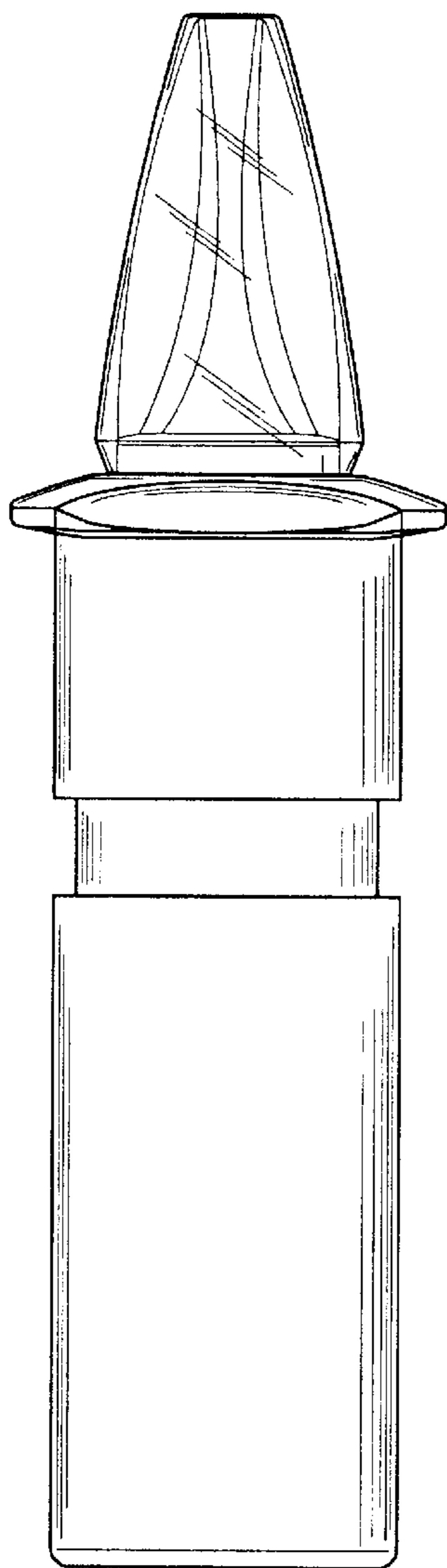


FIG. 7

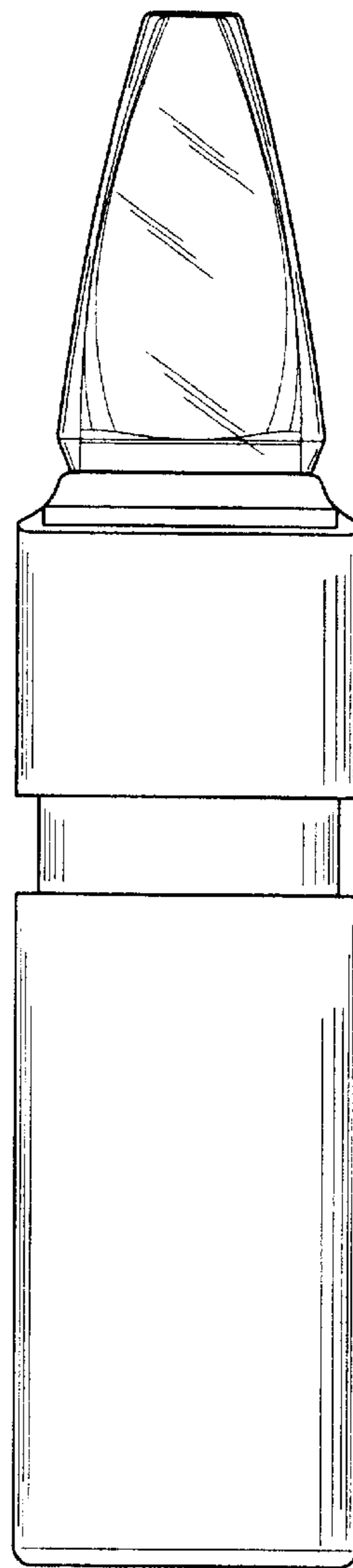


FIG. 8