



US00D544953S

(12) **United States Design Patent**
Kee

(10) **Patent No.:** **US D544,953 S**

(45) **Date of Patent:** **** Jun. 19, 2007**

(54) **AIR DEODORIZING APPARATUS**

(75) Inventor: **Siao Foot Kee, Johor (MY)**

(73) Assignee: **Sara Lee Household and Body Care
Nederland B.V., Utrecht (NL)**

(**) Term: **14 Years**

(21) Appl. No.: **29/266,574**

(22) Filed: **Sep. 22, 2006**

(30) **Foreign Application Priority Data**

Mar. 30, 2006 (EM) 000504832

(51) **LOC (8) Cl.** **23-99**

(52) **U.S. Cl.** **D23/368**

(58) **Field of Classification Search** 392/341,
392/342, 386, 390, 392-394, 401-406; D28/5,
D28/6; 239/34-35, 53-60, 135-136, 326-327,
239/338; D23/355-369; 261/DIG. 17, DIG. 42,
261/DIG. 65, DIG. 88, DIG. 89

See application file for complete search history.

(56) **References Cited**

U.S. PATENT DOCUMENTS

2,218,037	A *	10/1940	Duers et al.	239/54
D161,351	S *	12/1950	Levine	D23/368
D170,655	S *	10/1953	Rauch	D23/368
2,755,954	A *	7/1956	Anritter	220/4.21
D212,420	S *	10/1968	Wilson	D23/368
3,521,816	A *	7/1970	Wilson	239/60
3,784,102	A *	1/1974	Stults	239/36
D372,526	S *	8/1996	Rymer	D23/366
D376,420	S *	12/1996	Rymer	D23/368
D438,607	S *	3/2001	Edwards et al.	D23/366
D447,551	S *	9/2001	A'Court	D23/366
6,340,120	B1 *	1/2002	Seymour	239/59
D500,550	S *	1/2005	Bariou et al.	D23/368
D515,681	S *	2/2006	Muir et al.	D23/366

D516,193	S *	2/2006	Caserta et al.	D23/366
7,028,917	B2 *	4/2006	Buthier	239/60
D532,506	S *	11/2006	Caserta et al.	D23/366

* cited by examiner

Primary Examiner—Sandra Snapp

(74) *Attorney, Agent, or Firm*—Kilpatrick Stockton LLP

(57) **CLAIM**

I claim the ornamental design for an air deodorizing apparatus, as shown.

DESCRIPTION

FIG. 1 is a front perspective view of an air deodorizing apparatus comprising the present invention in an open position.

FIG. 2 is a front elevational view of the air deodorizing apparatus shown in FIG. 1.

FIG. 3 is a rear elevational view of the air deodorizing apparatus shown in FIG. 1 and FIG. 2.

FIG. 4 is a side elevational view of the air deodorizing apparatus shown in FIG. 1, FIG. 2, and FIG. 3.

FIG. 5 is another side elevational view of the air deodorizing apparatus shown in FIG. 1, FIG. 2, FIG. 3, and FIG. 4.

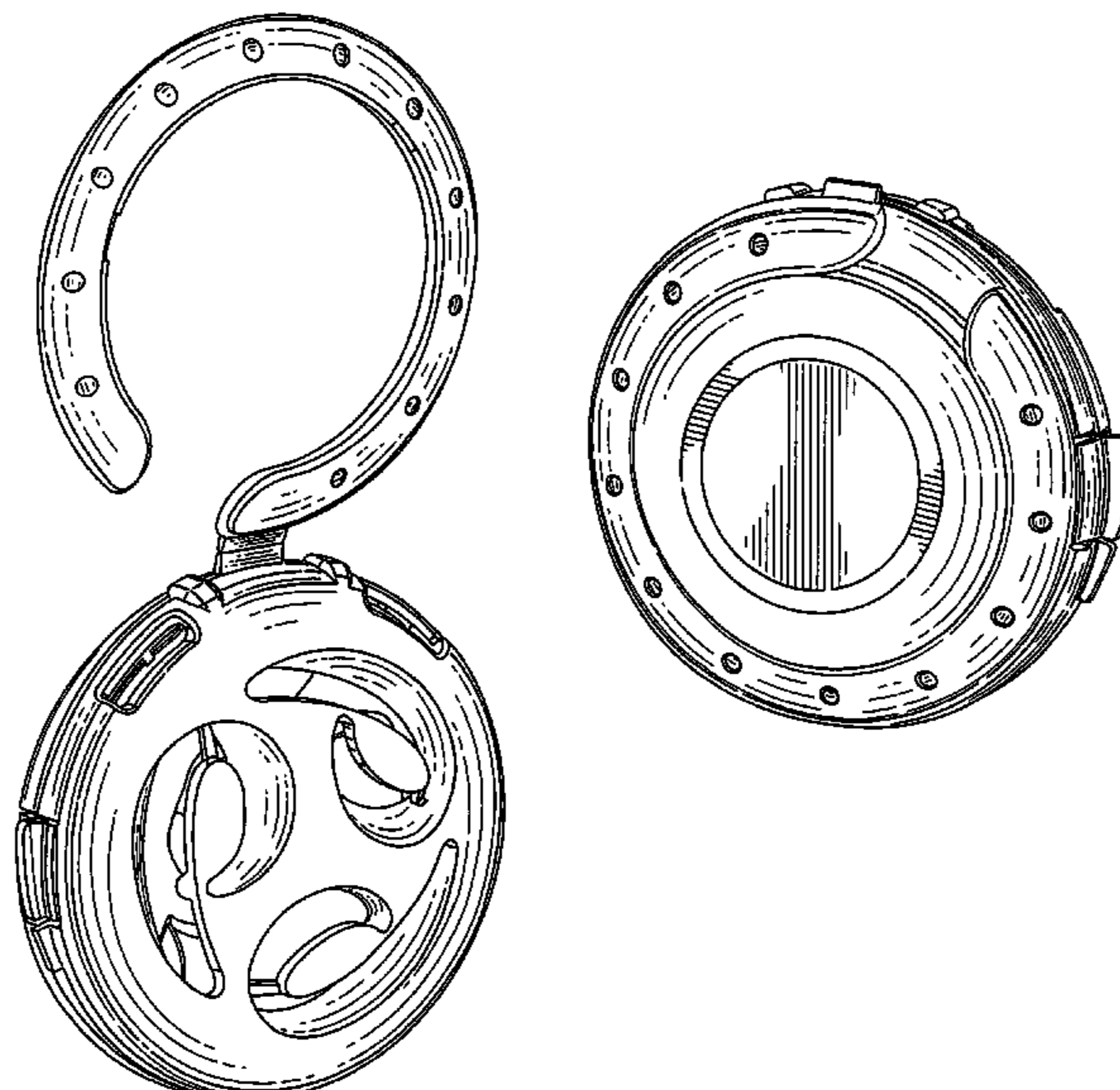
FIG. 6 is a top plan view of the air deodorizing apparatus shown in FIG. 1, FIG. 2, FIG. 3, FIG. 4, and FIG. 5.

FIG. 7 is a bottom plan view of the air deodorizing apparatus shown in FIG. 1, FIG. 2, FIG. 3, FIG. 4, FIG. 5, and FIG. 6.

FIG. 8 is a rear perspective view of the air deodorizing apparatus shown in FIG. 1, FIG. 2, FIG. 3, FIG. 4, FIG. 5, FIG. 6, and FIG. 7 in a closed position; and,

FIG. 9 is a top elevational view of the air deodorizing apparatus shown in FIG. 1, FIG. 2, FIG. 3, FIG. 4, FIG. 5, FIG. 6, FIG. 7, and FIG. 8 in a closed position.

1 Claim, 9 Drawing Sheets



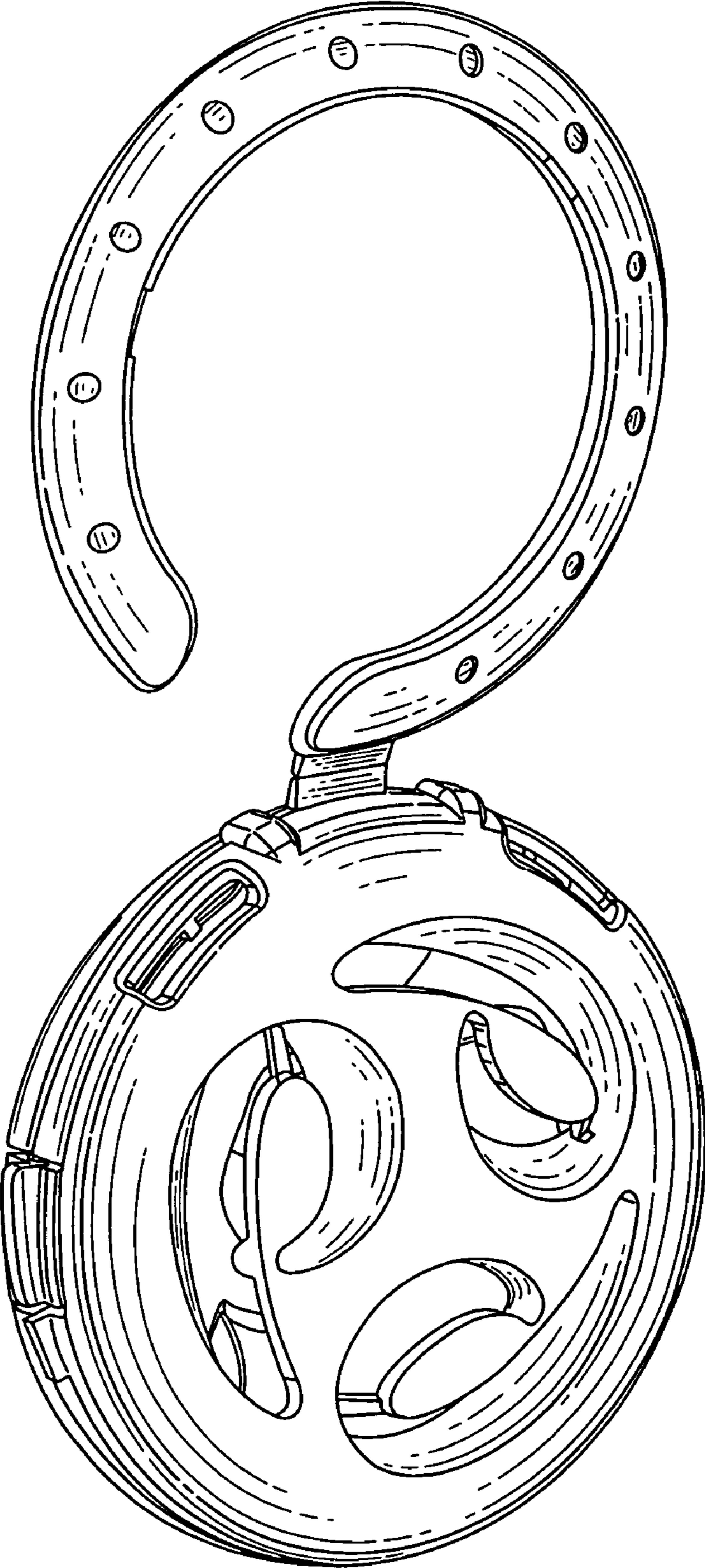


FIG. 1

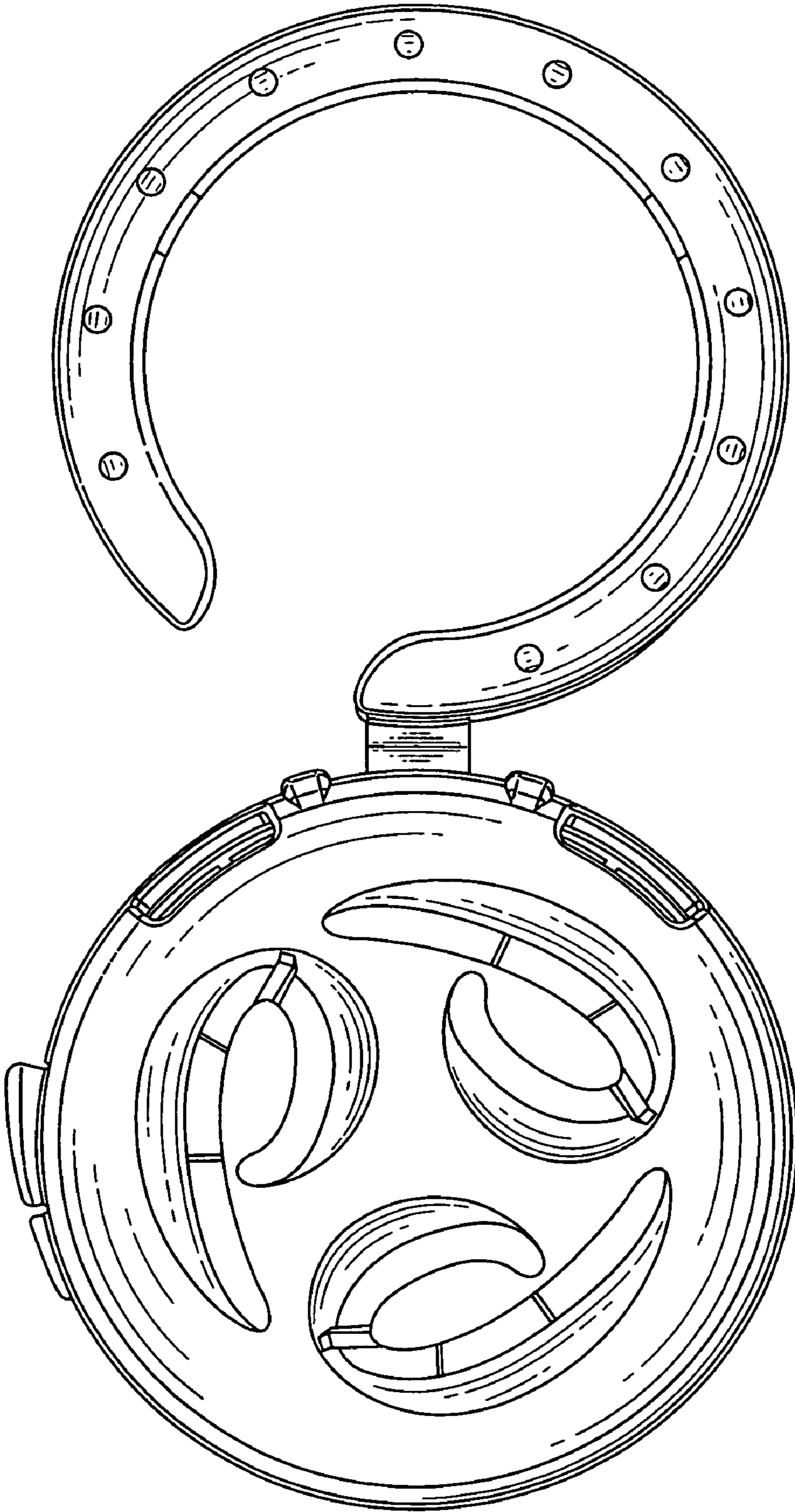


FIG. 2

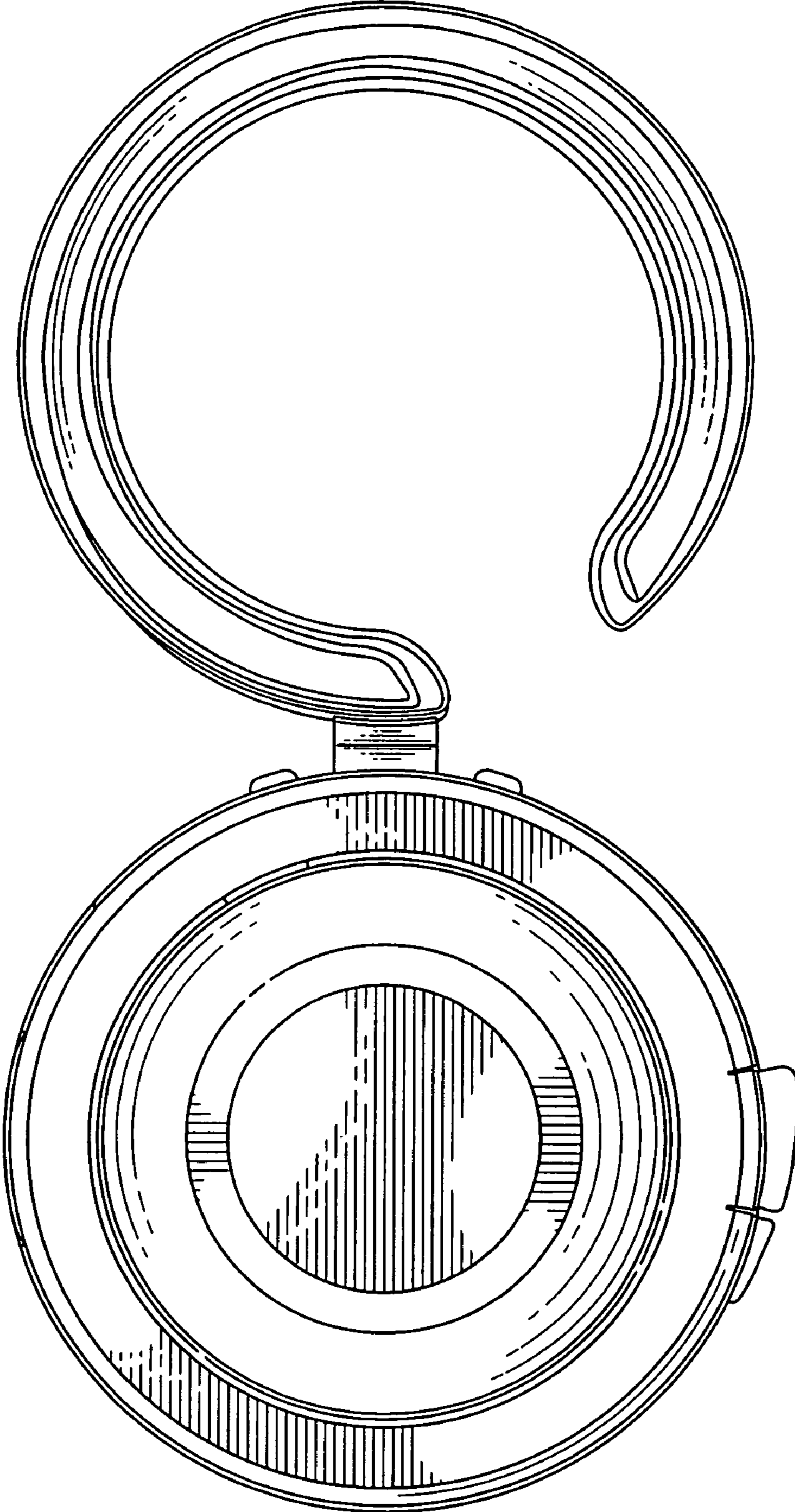


FIG. 3

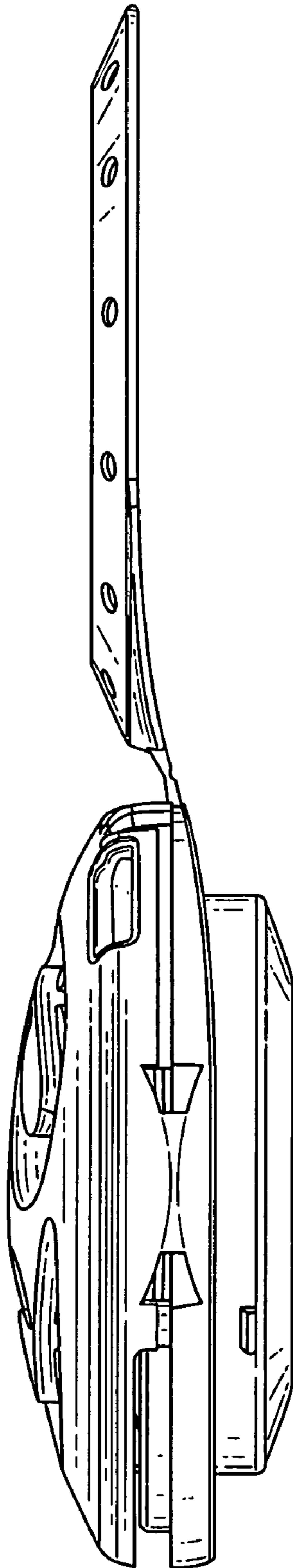


FIG. 4

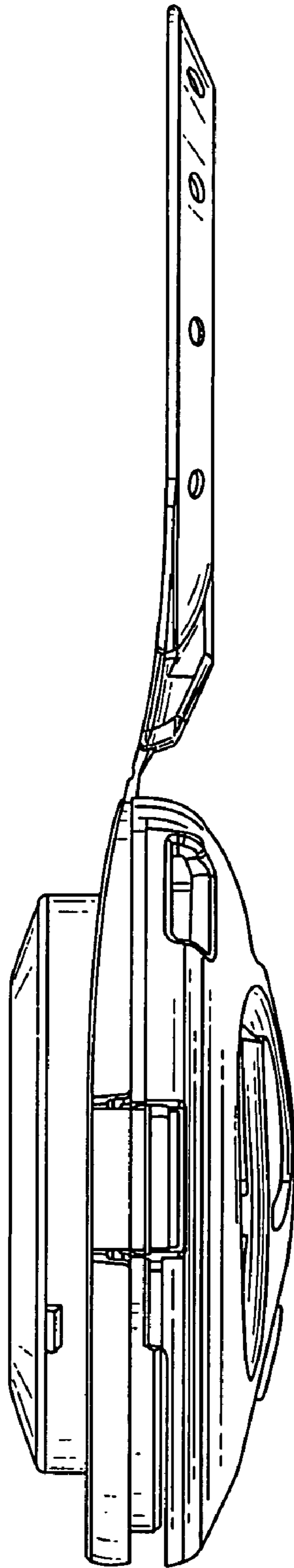


FIG. 5

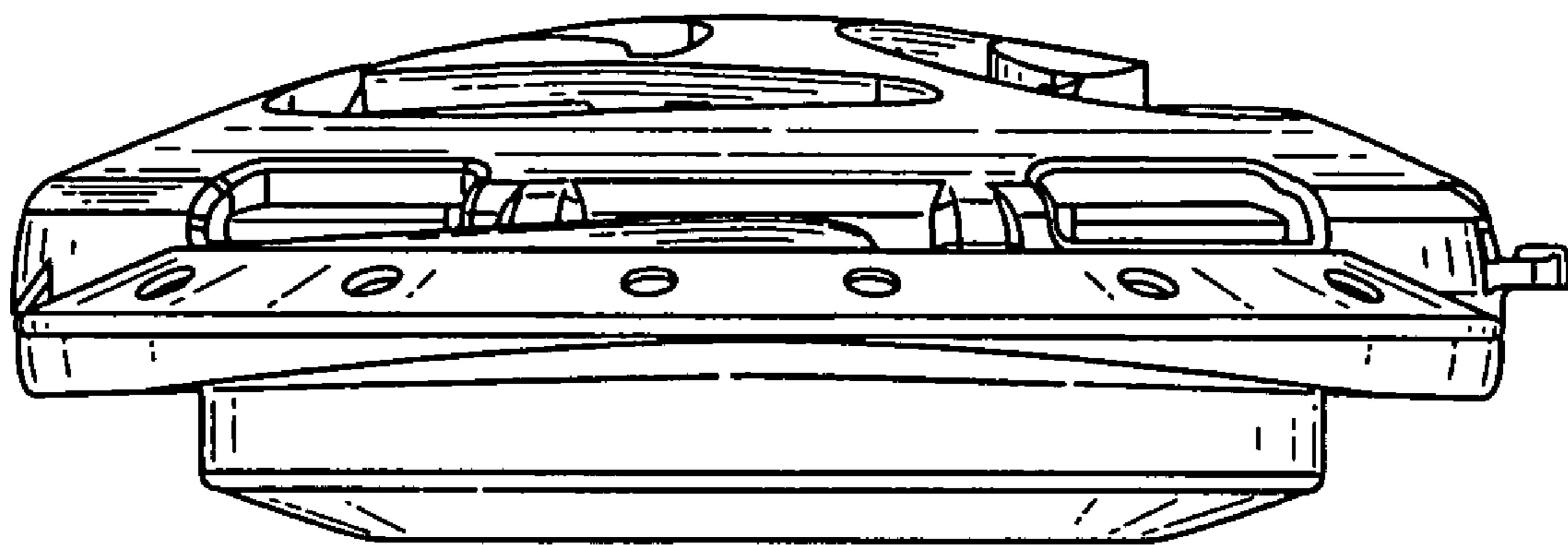


FIG. 6

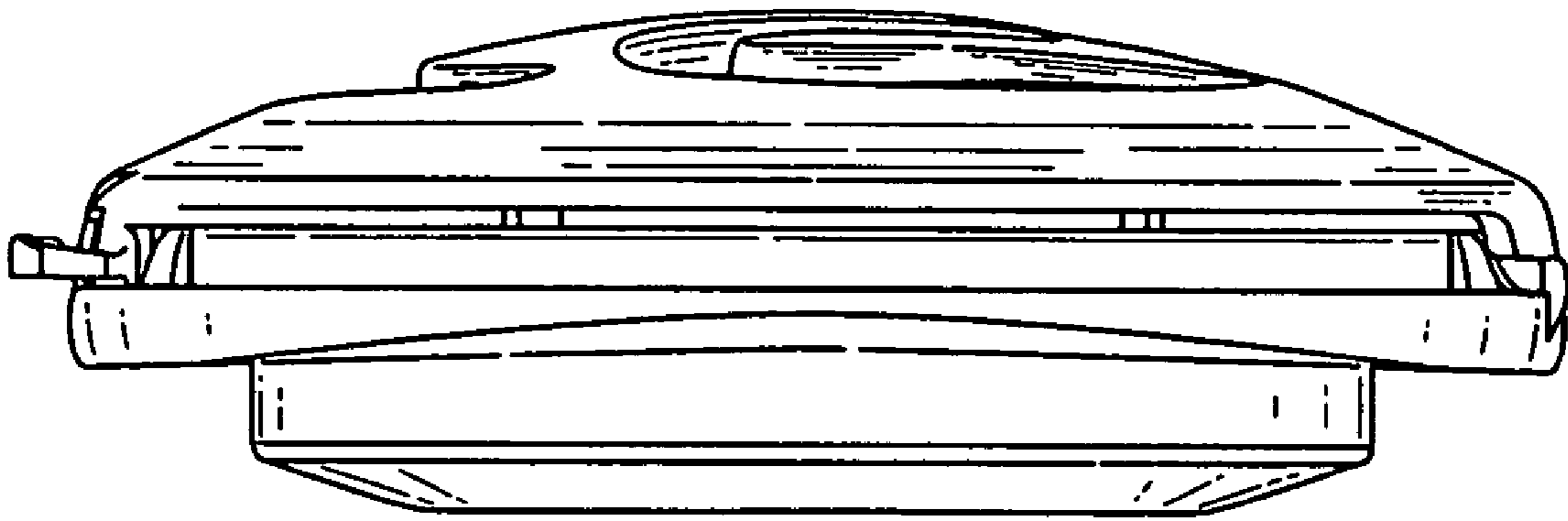


FIG. 7

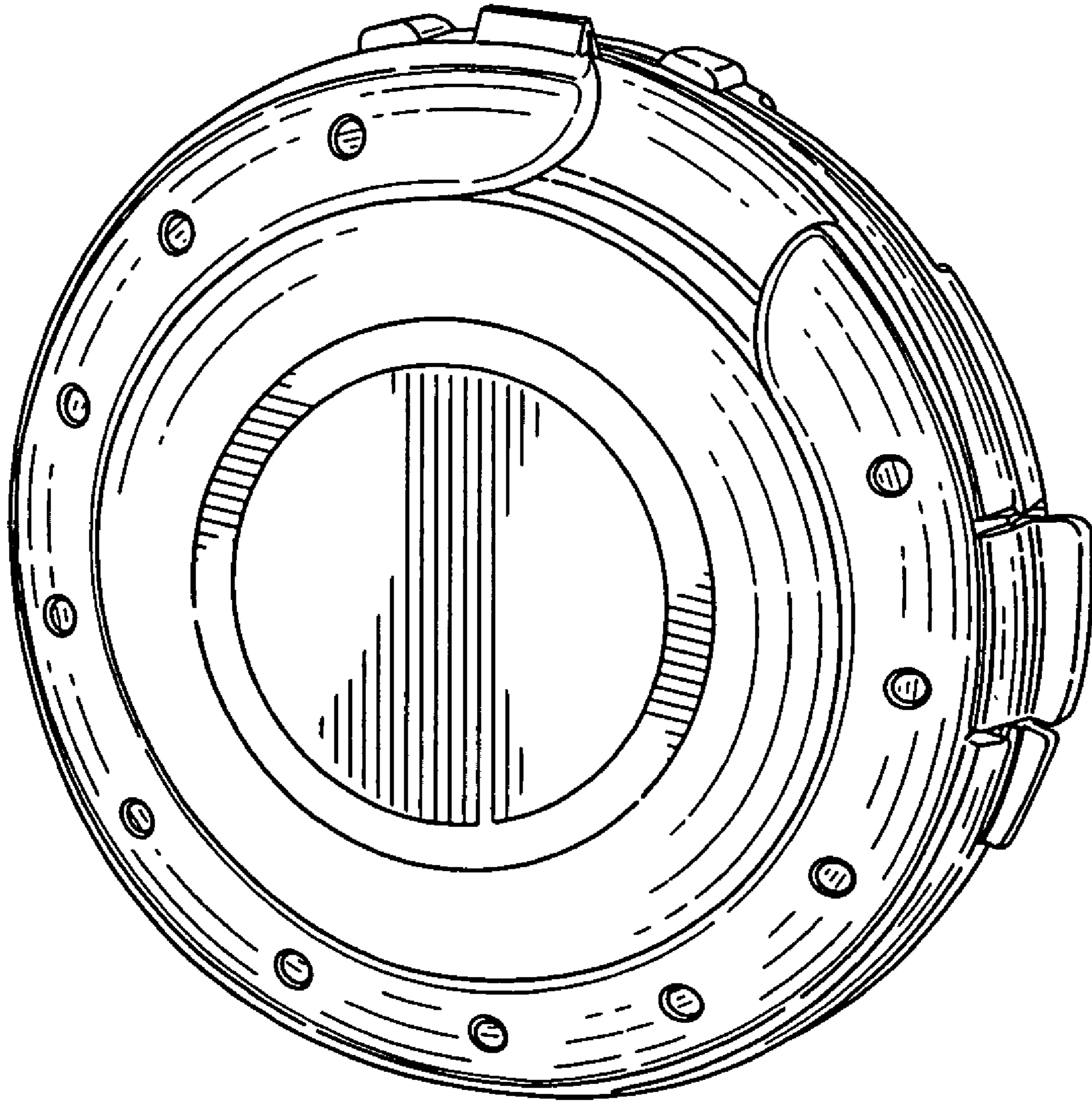


FIG. 8

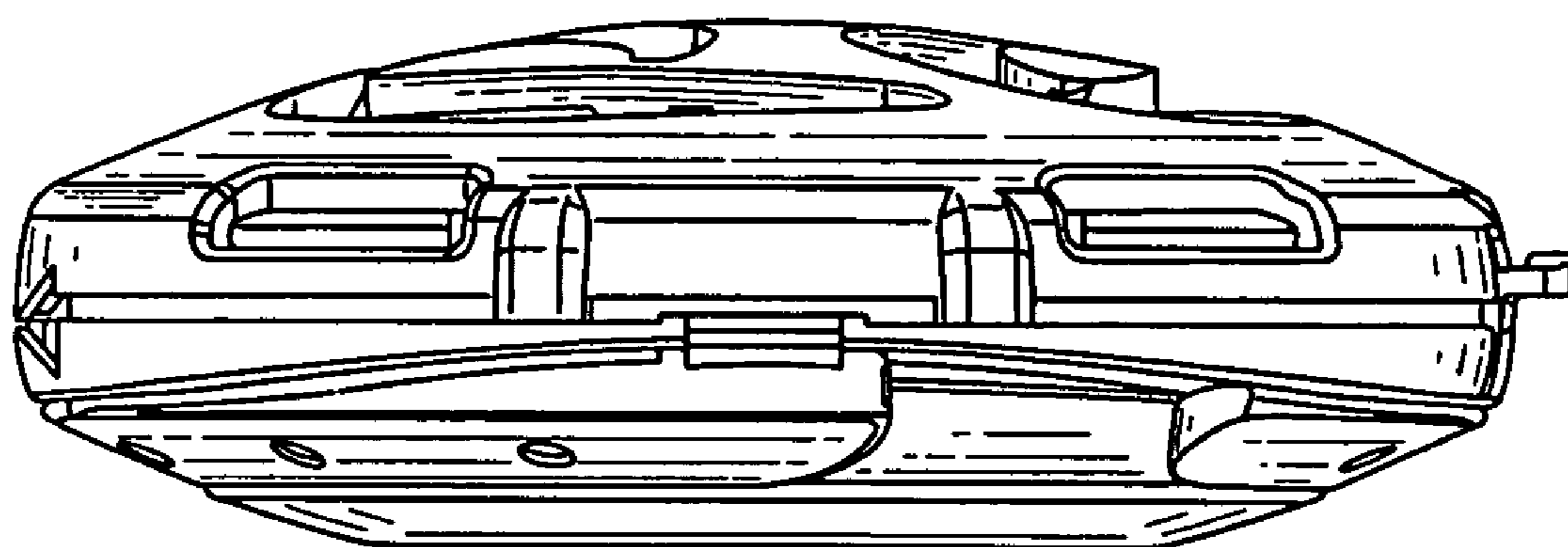


FIG. 9