

US00D544952S

(12) **United States Design Patent**
Zobeles

(10) **Patent No.:** **US D544,952 S**

(45) **Date of Patent:** **** Jun. 19, 2007**

(54) **DIFFUSER**

D393,901 S * 4/1998 Kuhn D23/368
D503,973 S * 4/2005 Millan D23/366

(75) Inventor: **Franco Zobeles**, Trento (IT)

* cited by examiner

(73) Assignee: **Zobeles Holding SpA**, Trento (IT)

Primary Examiner—Sandra Snapp

(**) Term: **14 Years**

(74) *Attorney, Agent, or Firm*—Katten Muchin Rosenman LLP

(21) Appl. No.: **29/263,069**

(57) **CLAIM**

(22) Filed: **Jul. 14, 2006**

The ornamental design for a diffuser, as shown and described.

(51) **LOC (8) Cl.** **23-99**

(52) **U.S. Cl.** **D23/366**

(58) **Field of Classification Search** 392/341,
392/342, 386, 390, 392-394, 401-406; D28/5,
D28/6; 239/34-35, 53-60, 135-136, 326-327,
239/338; D23/355-369; 261/DIG. 17, DIG. 42,
261/DIG. 65, DIG. 88, DIG. 89
See application file for complete search history.

DESCRIPTION

FIG. 1 is a front perspective view of the ornamental design for the diffuser;

FIG. 2 is a front view thereof;

FIG. 3 is a left side view thereof;

FIG. 4 is a top view thereof;

FIG. 5 is a rear view thereof;

FIG. 6 is a right-side view thereof;

FIG. 7 is a bottom view thereof; and,

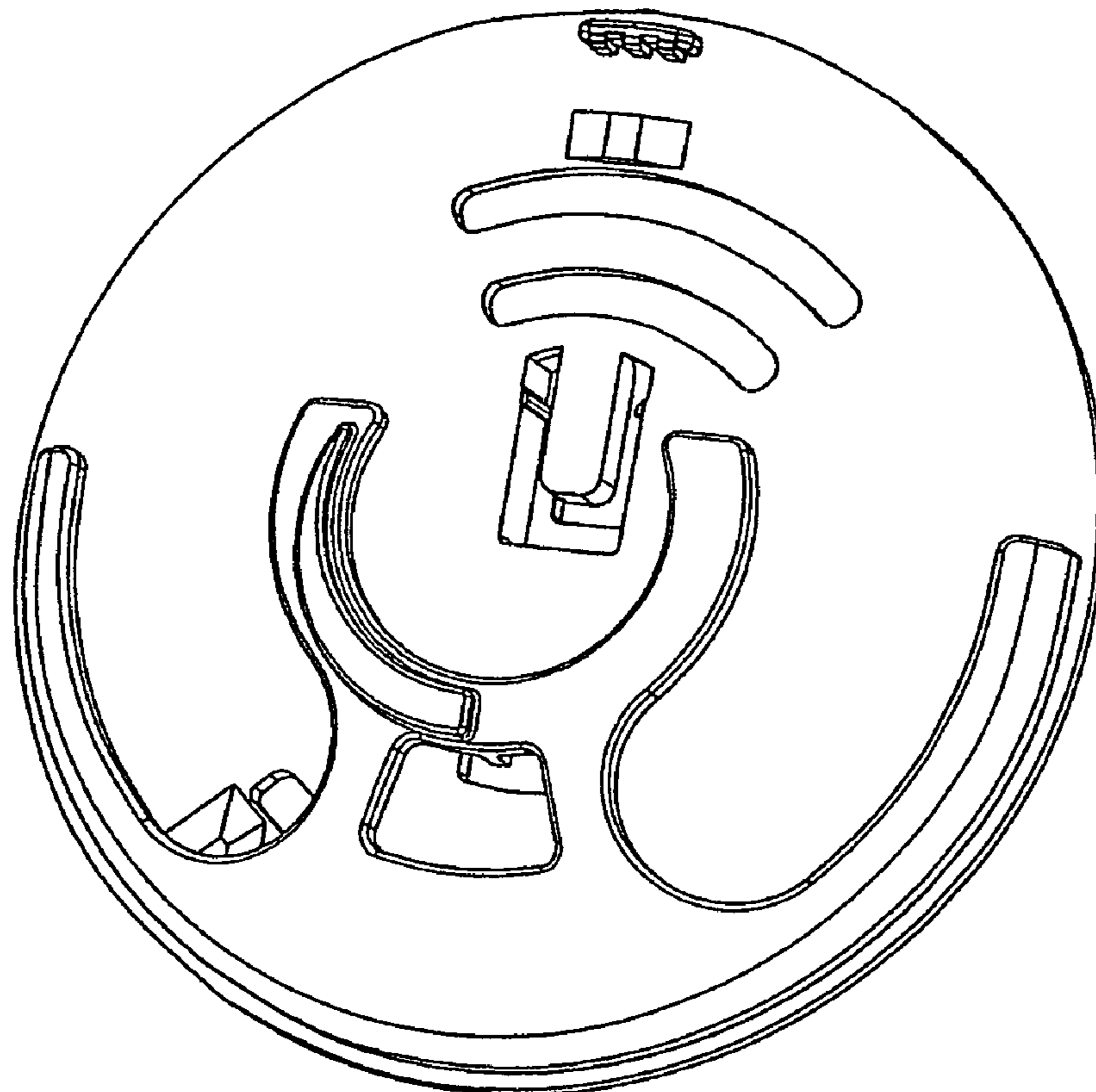
FIG. 8 is a rear perspective view thereof.

(56) **References Cited**

U.S. PATENT DOCUMENTS

D166,811 S * 5/1952 Le Febvre D23/366
D170,770 S * 11/1953 Rosenthal D23/368
D242,621 S * 12/1976 Curran D23/366
D280,538 S * 9/1985 Von Till D22/120
D373,626 S * 9/1996 Dente et al. D23/366

1 Claim, 8 Drawing Sheets



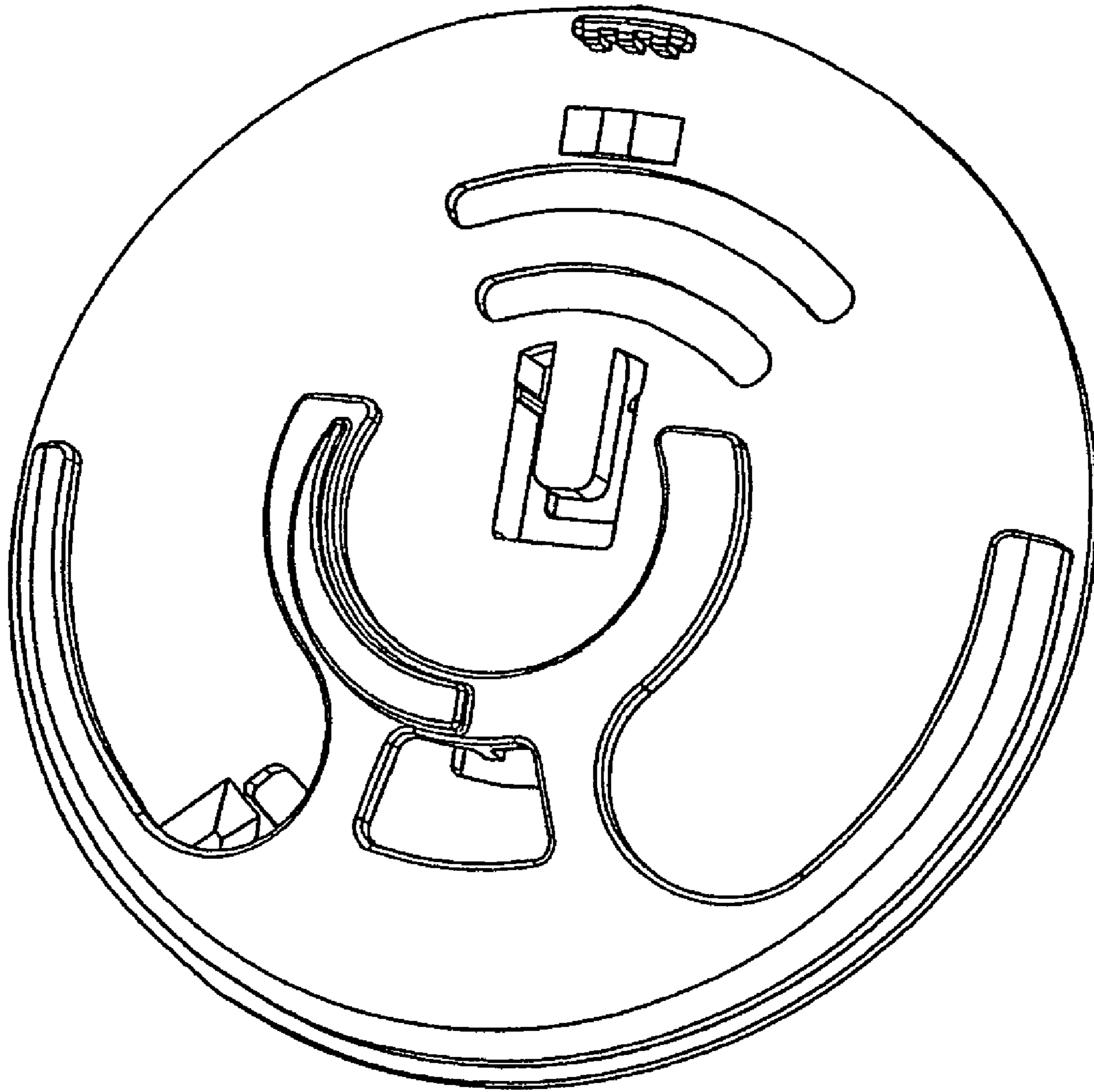


FIG. 1

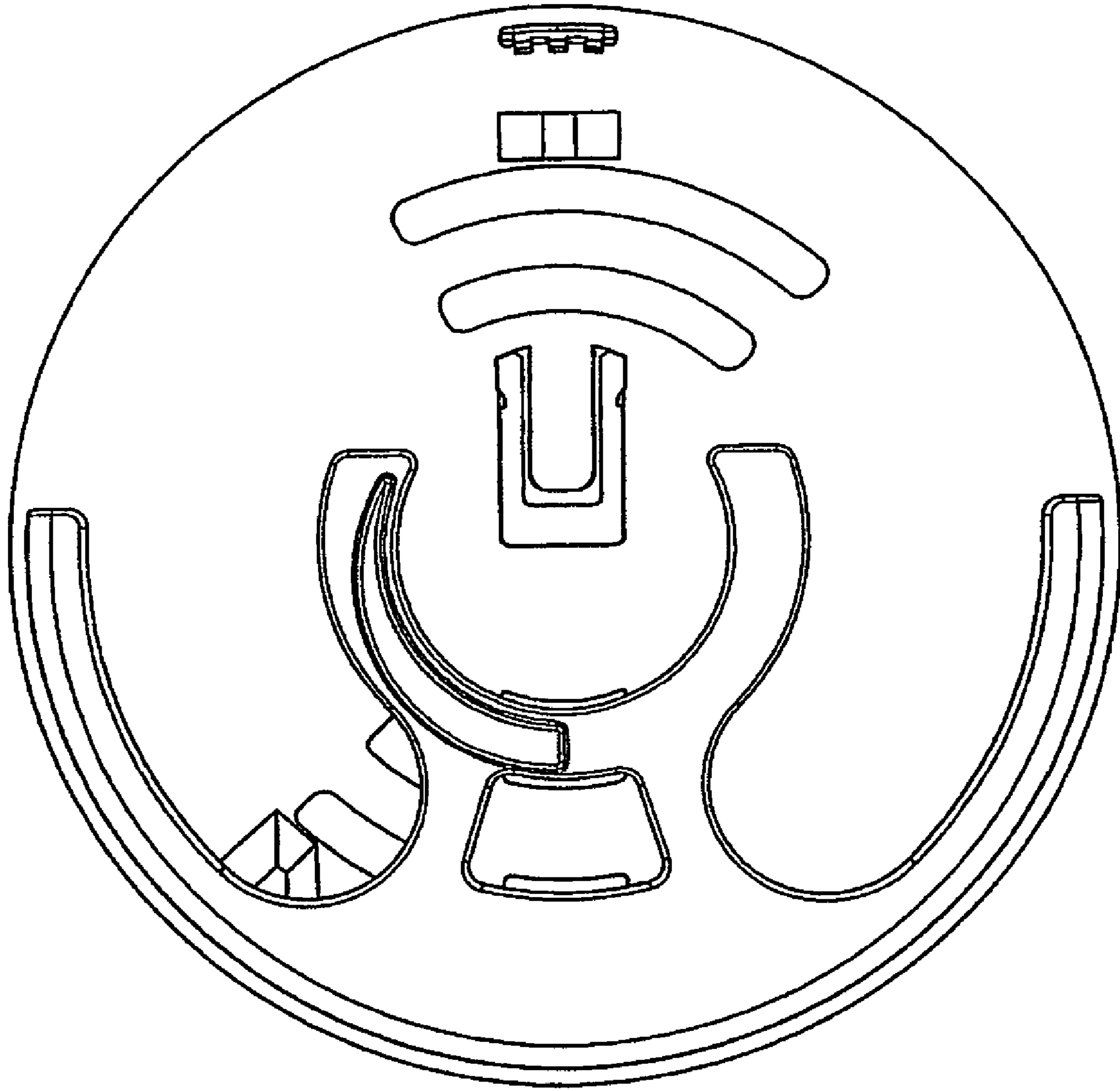


FIG. 2

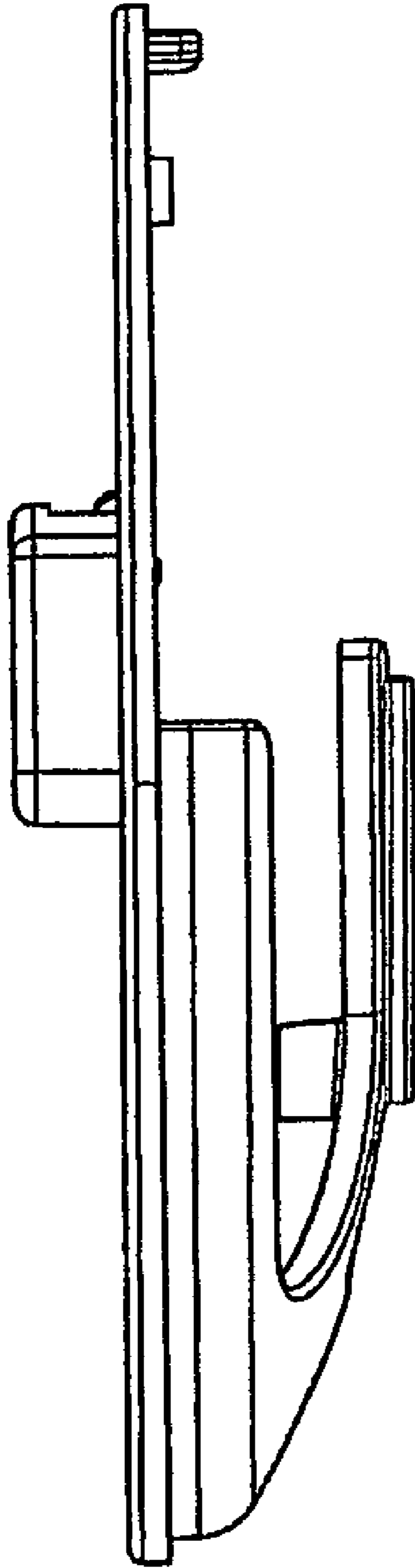


FIG. 3

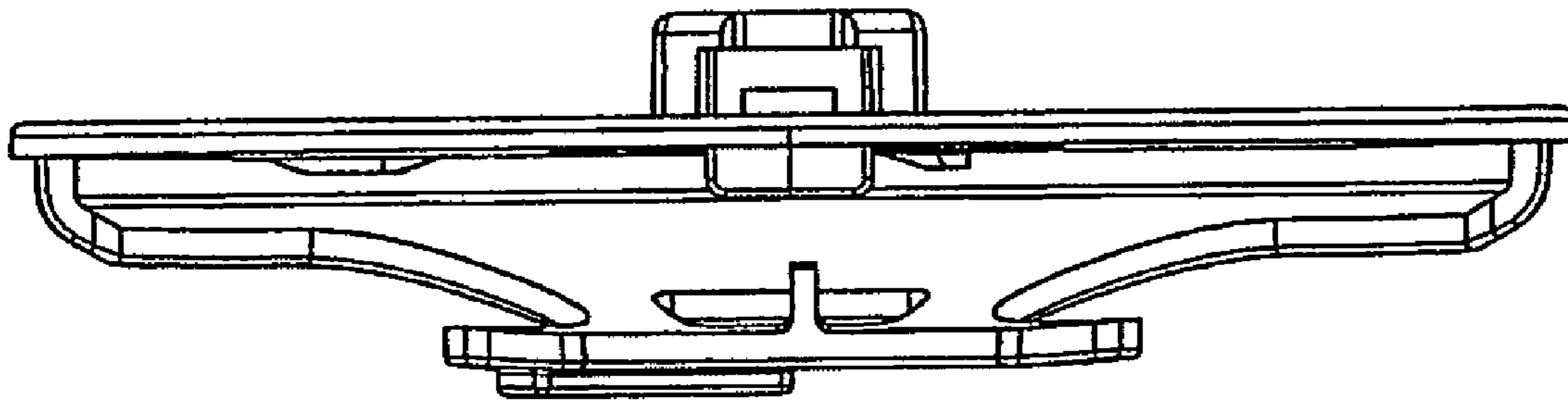


FIG. 4

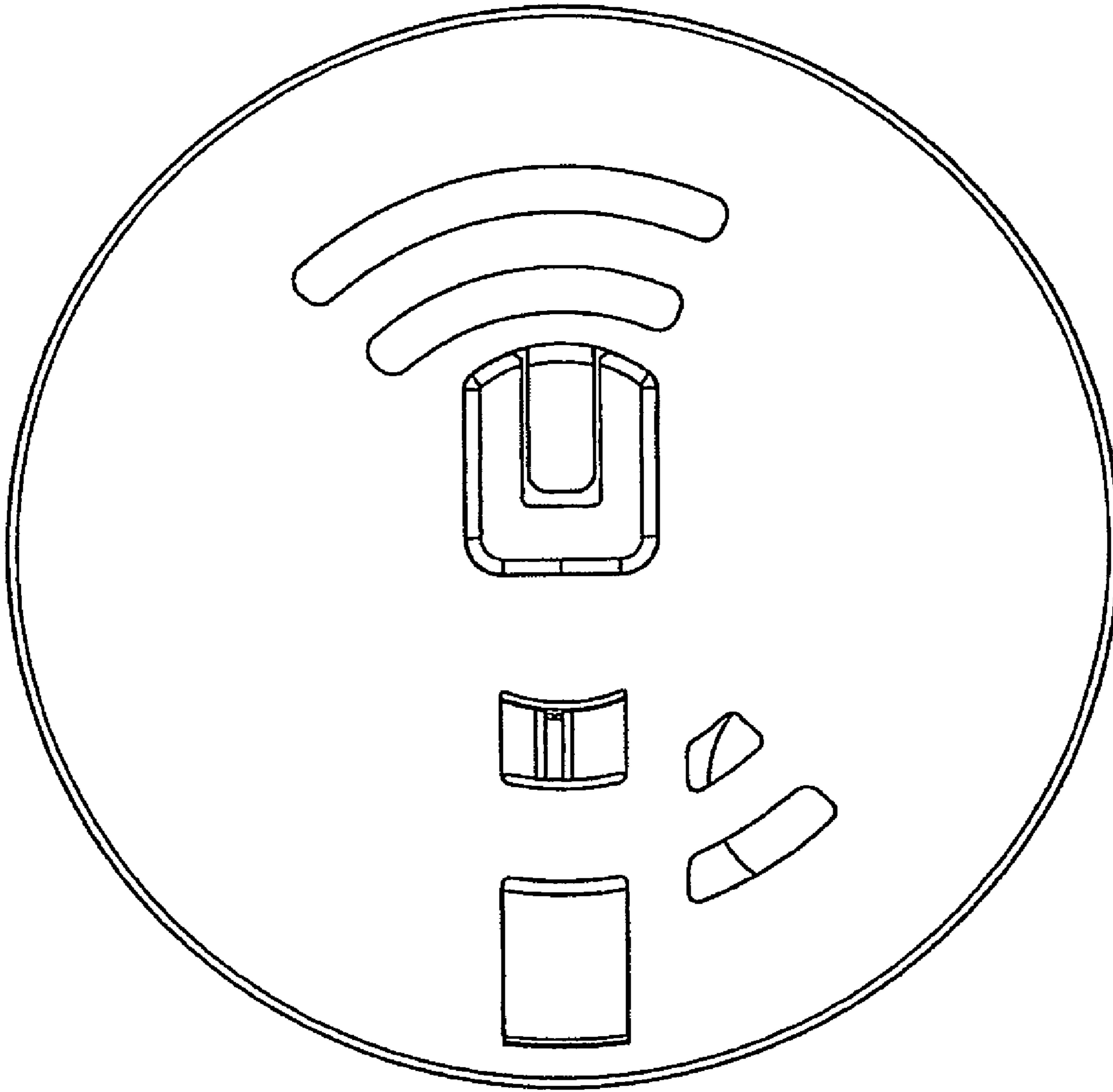


FIG. 5

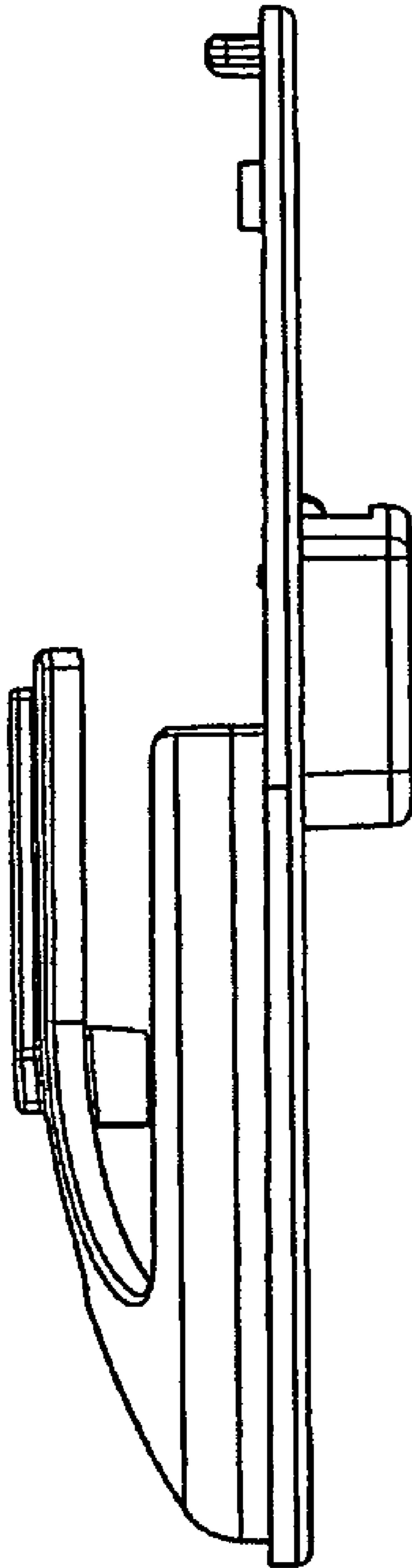


FIG. 6

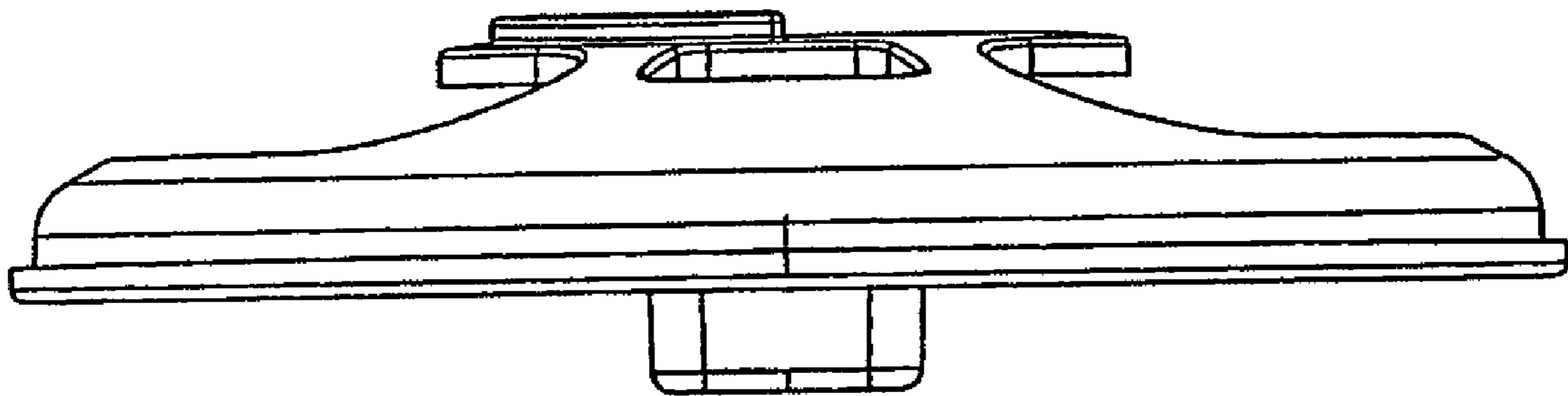


FIG. 7

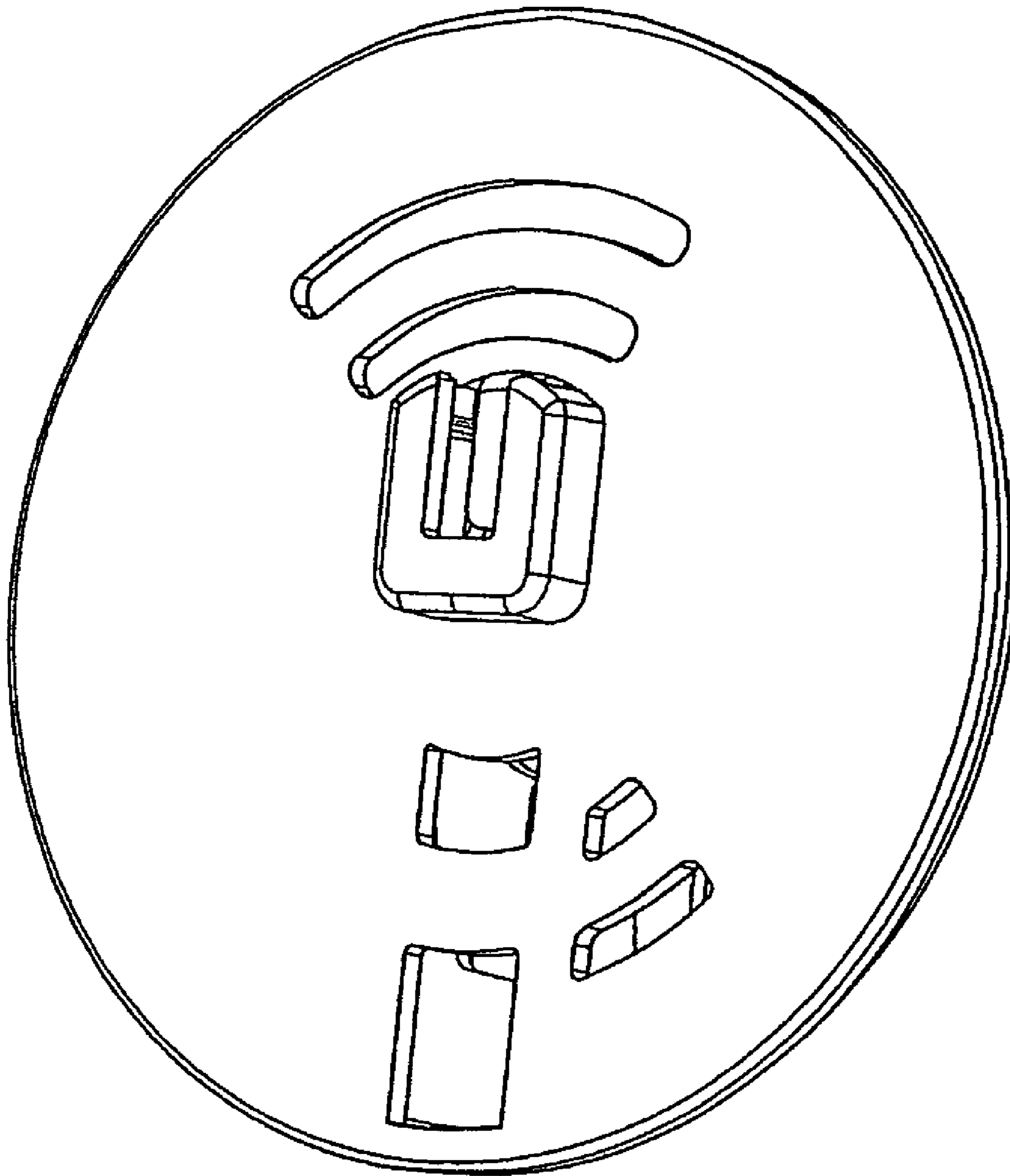


FIG. 8