



US00D544951S

(12) **United States Design Patent**
Zobebe

(10) **Patent No.:** **US D544,951 S**
(45) **Date of Patent:** **** Jun. 19, 2007**

(54) **DIFFUSING EVAPORATOR**

FOREIGN PATENT DOCUMENTS

(75) Inventor: **Franco Zobebe**, Trento (IT)
(73) Assignee: **Zobebe Holding S.p.A.**, Trento (IT)
(**) Term: **14 Years**

WO	DM/015481	12/1989
WO	DM/018286	12/1990
WO	DM/020051	7/1991
WO	DM/023871	9/1992
WO	DM/035660	2/1996
WO	DM/013741	6/2006

(21) Appl. No.: **29/247,375**
(22) Filed: **Jun. 14, 2006**

* cited by examiner

Primary Examiner—Sandra Snapp
(74) *Attorney, Agent, or Firm*—Banner & Witcoff, Ltd.

(30) **Foreign Application Priority Data**

Dec. 20, 2005 (EM) 000452214

(51) **LOC (8) Cl.** **23-99**
(52) **U.S. Cl.** **D23/366**
(58) **Field of Classification Search** 392/341,
392/342, 386, 390, 392-394, 401-406; D28/5,
D28/6; 239/34-35, 53-60, 135-136, 326-327,
239/338; D23/355-369; 261/DIG. 17, DIG. 42,
261/DIG. 65, DIG. 88, DIG. 89
See application file for complete search history.

(57) **CLAIM**

The ornamental design for a diffusing evaporator, as shown and described.

DESCRIPTION

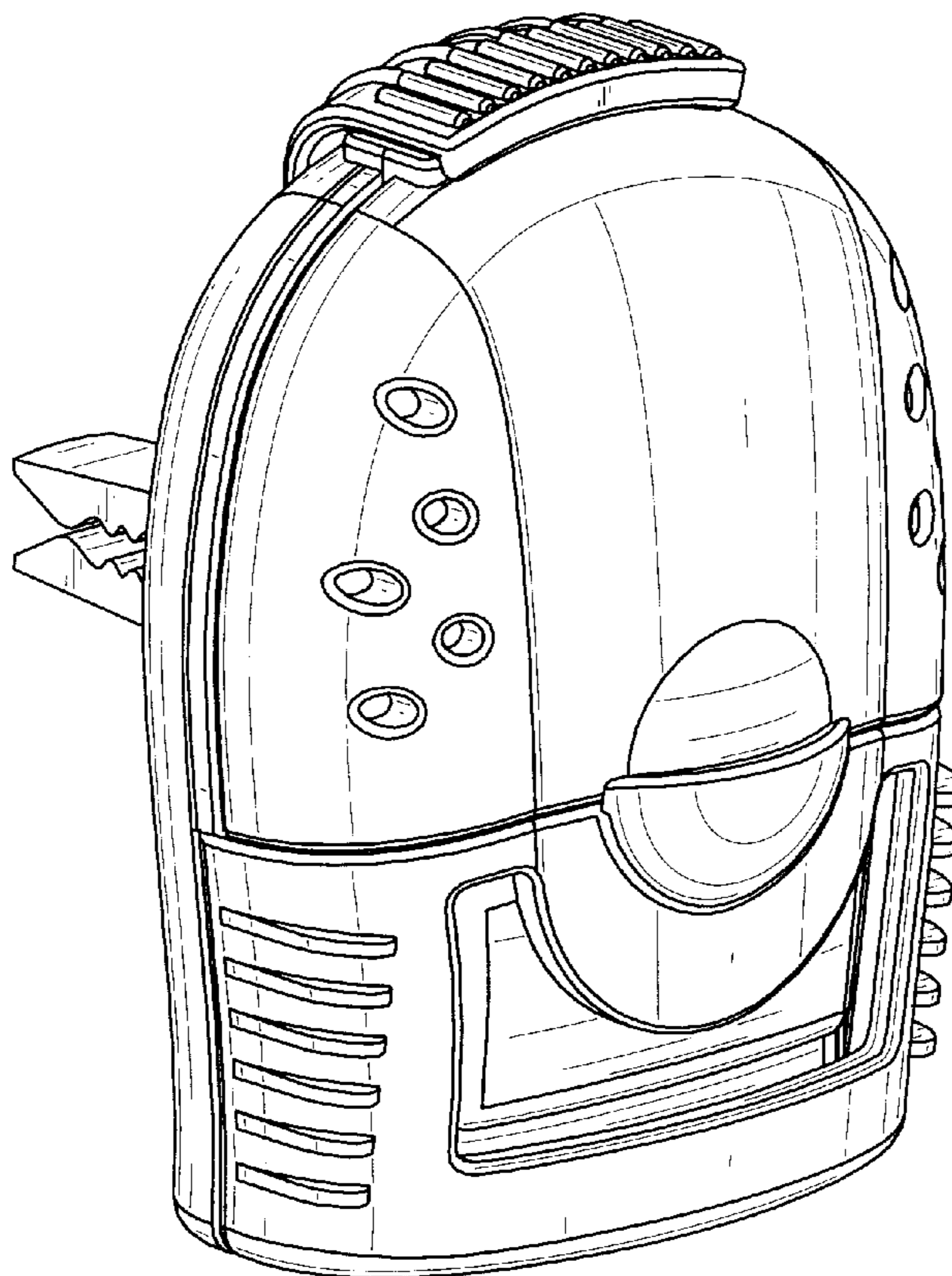
FIG. 1 is a front view of a diffusing evaporator showing my new design;
FIG. 2 is a right side view thereof;
FIG. 3 is a left side view thereof;
FIG. 4 is a top view thereof;
FIG. 5 is a bottom view thereof;
FIG. 6 is a rear view thereof;
FIG. 7 is a rear perspective view thereof; and,
FIG. 8 is a front perspective view thereof.

(56) **References Cited**

U.S. PATENT DOCUMENTS

D504,171 S *	4/2005	Ibarra et al.	D23/366
D528,643 S *	9/2006	Wang	D23/364
D529,162 S *	9/2006	Bulsink	D23/366
7,103,270 B1 *	9/2006	Chen	392/386
2004/0016818 A1 *	1/2004	Murdell et al.	239/34

1 Claim, 8 Drawing Sheets



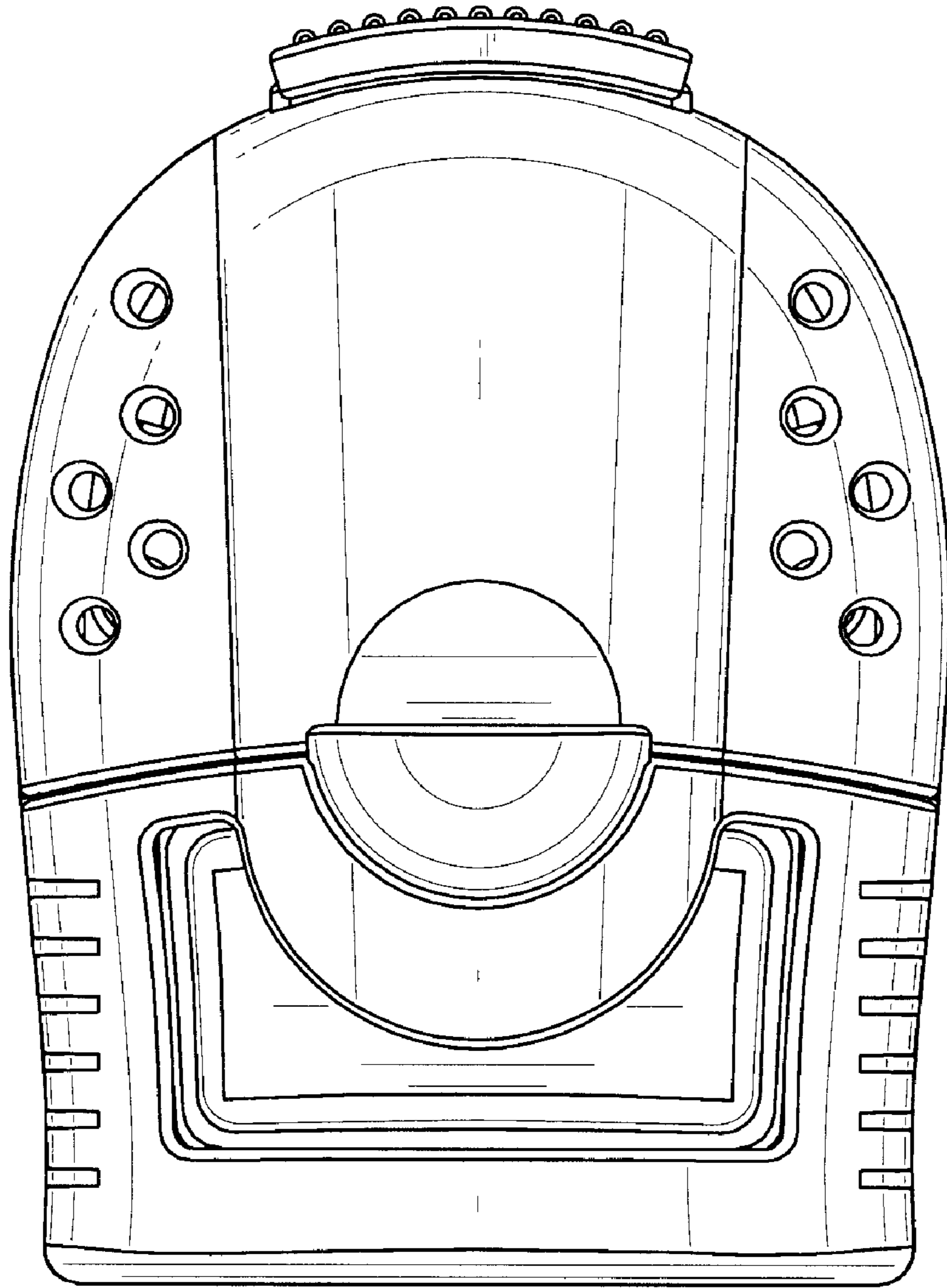


FIG. 1

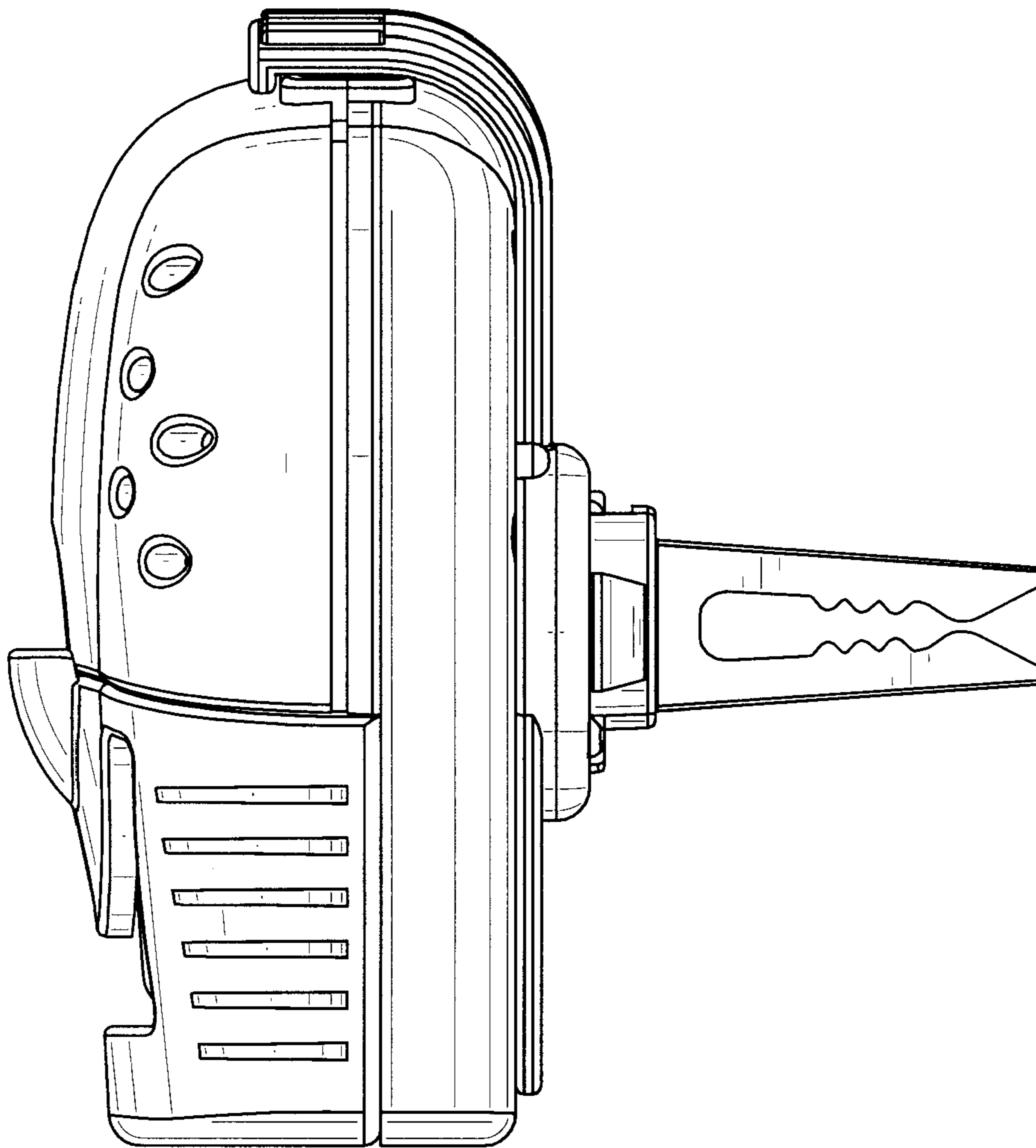


FIG. 2

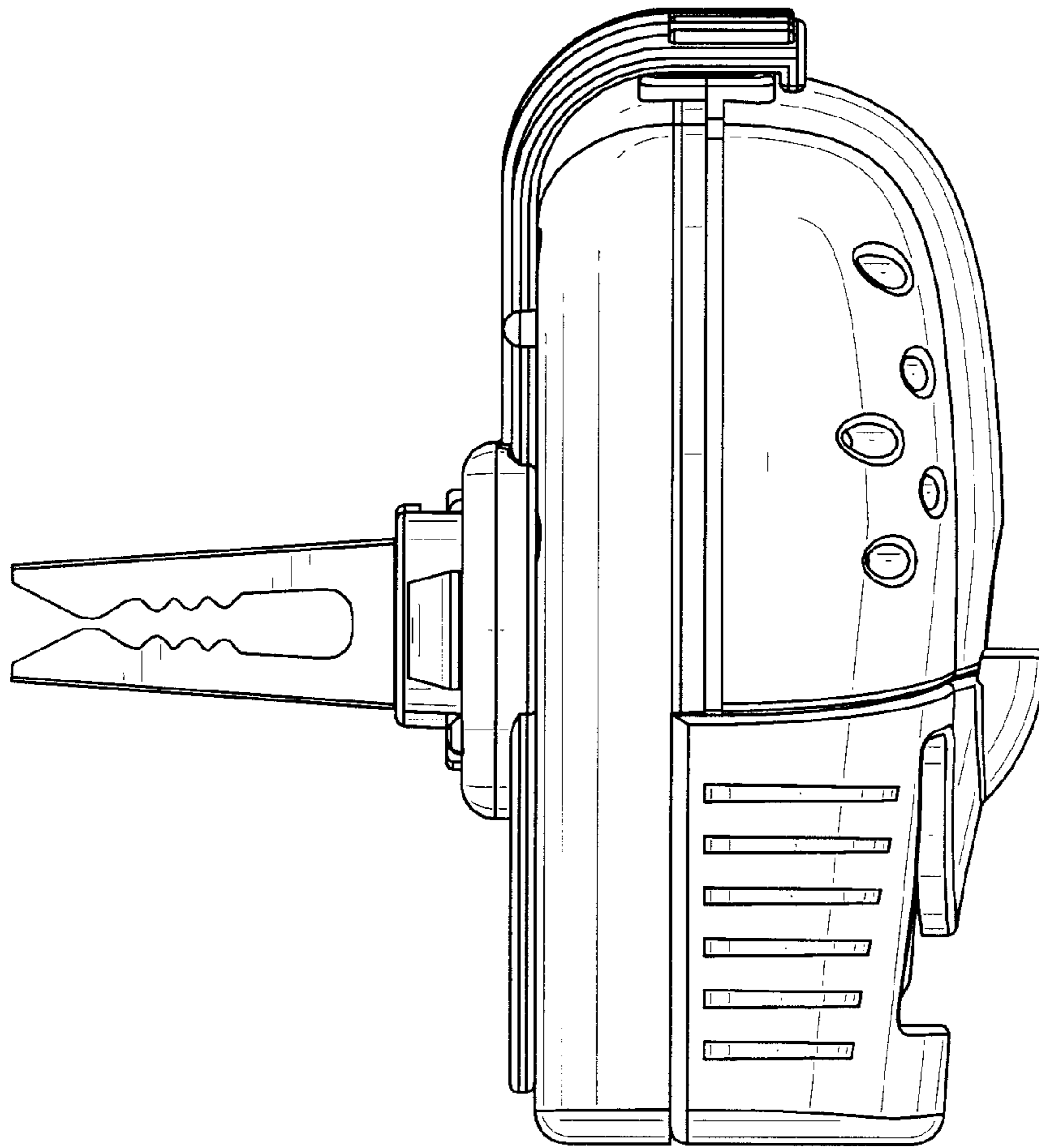


FIG. 3

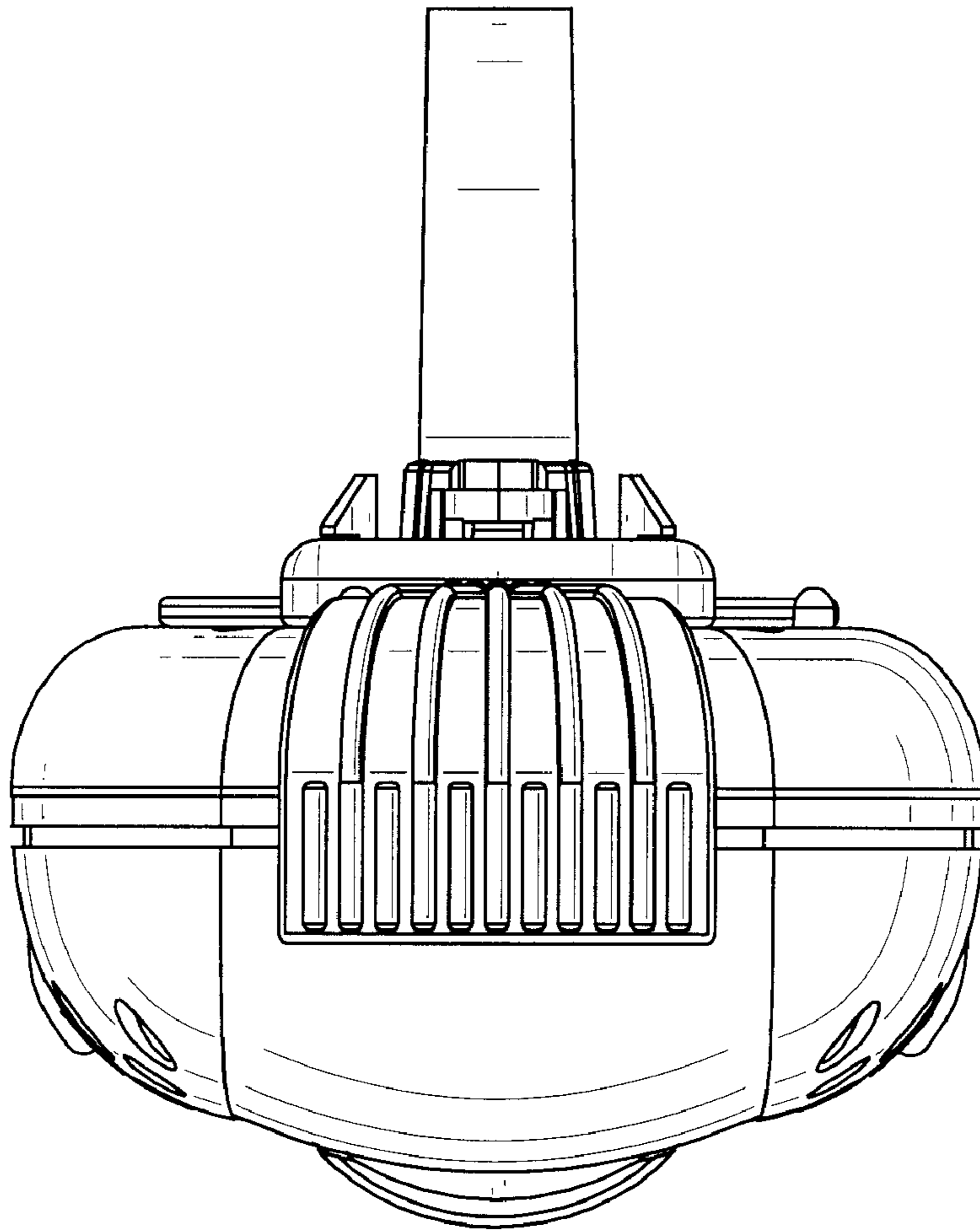


FIG. 4

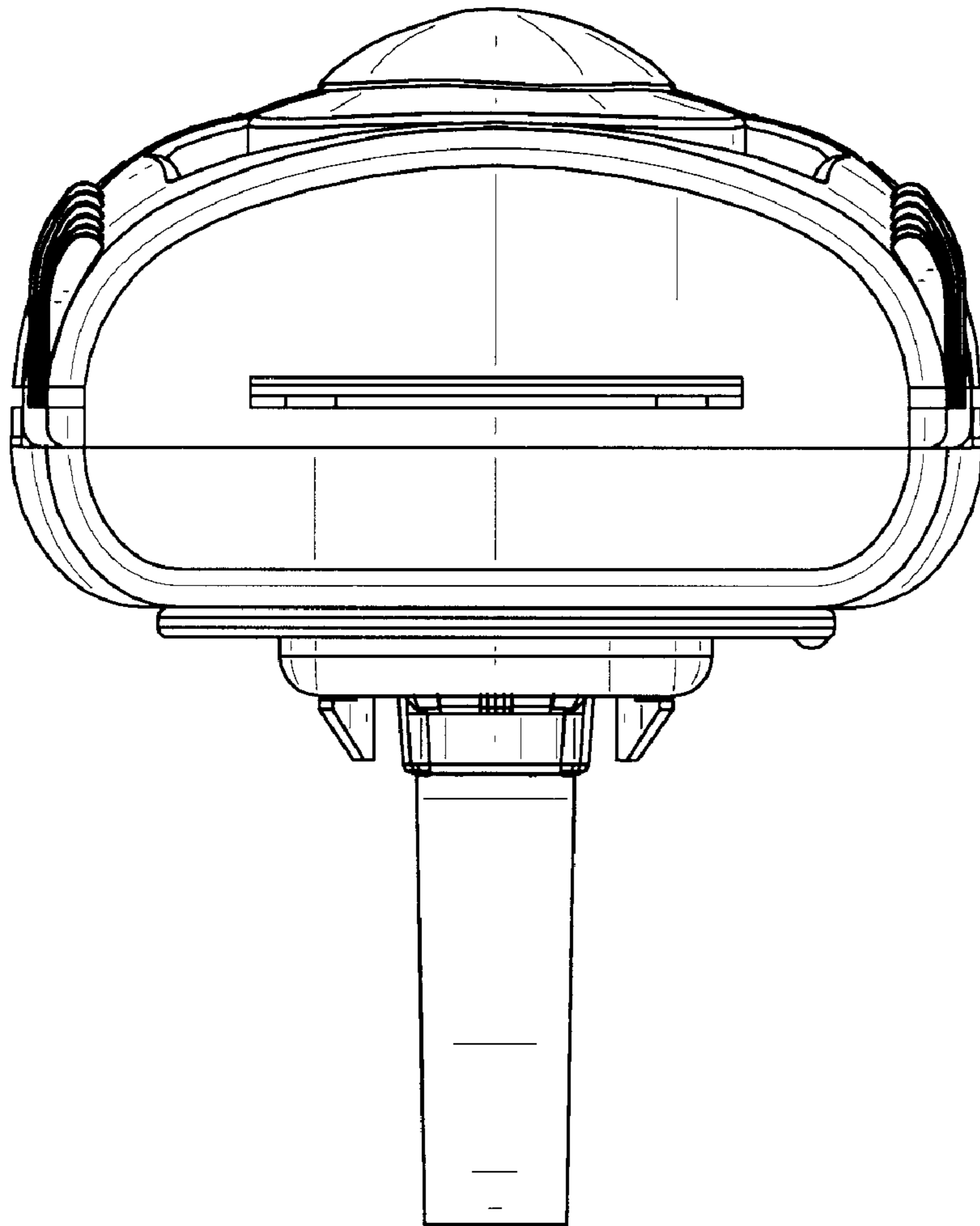


FIG. 5

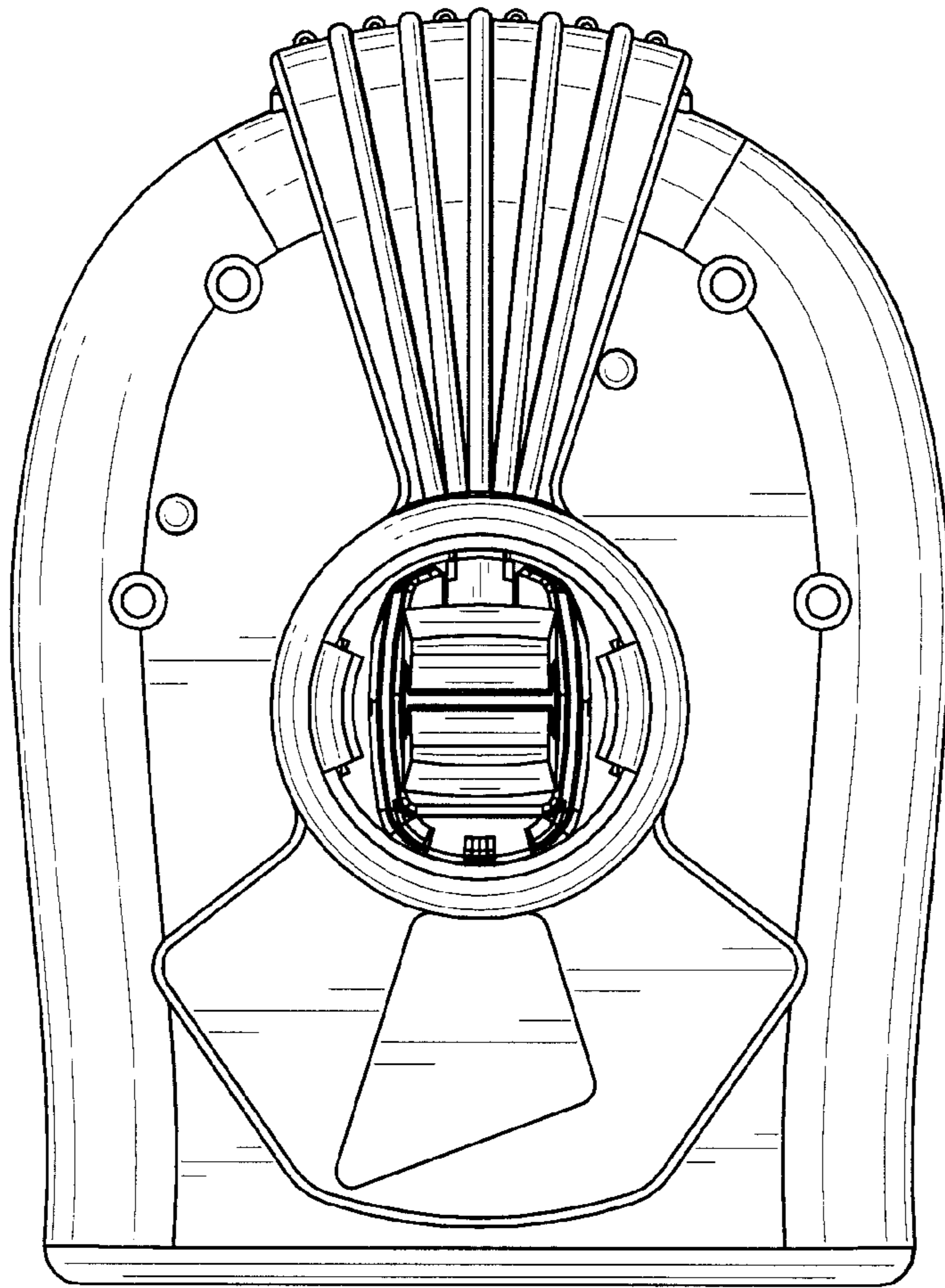


FIG. 6

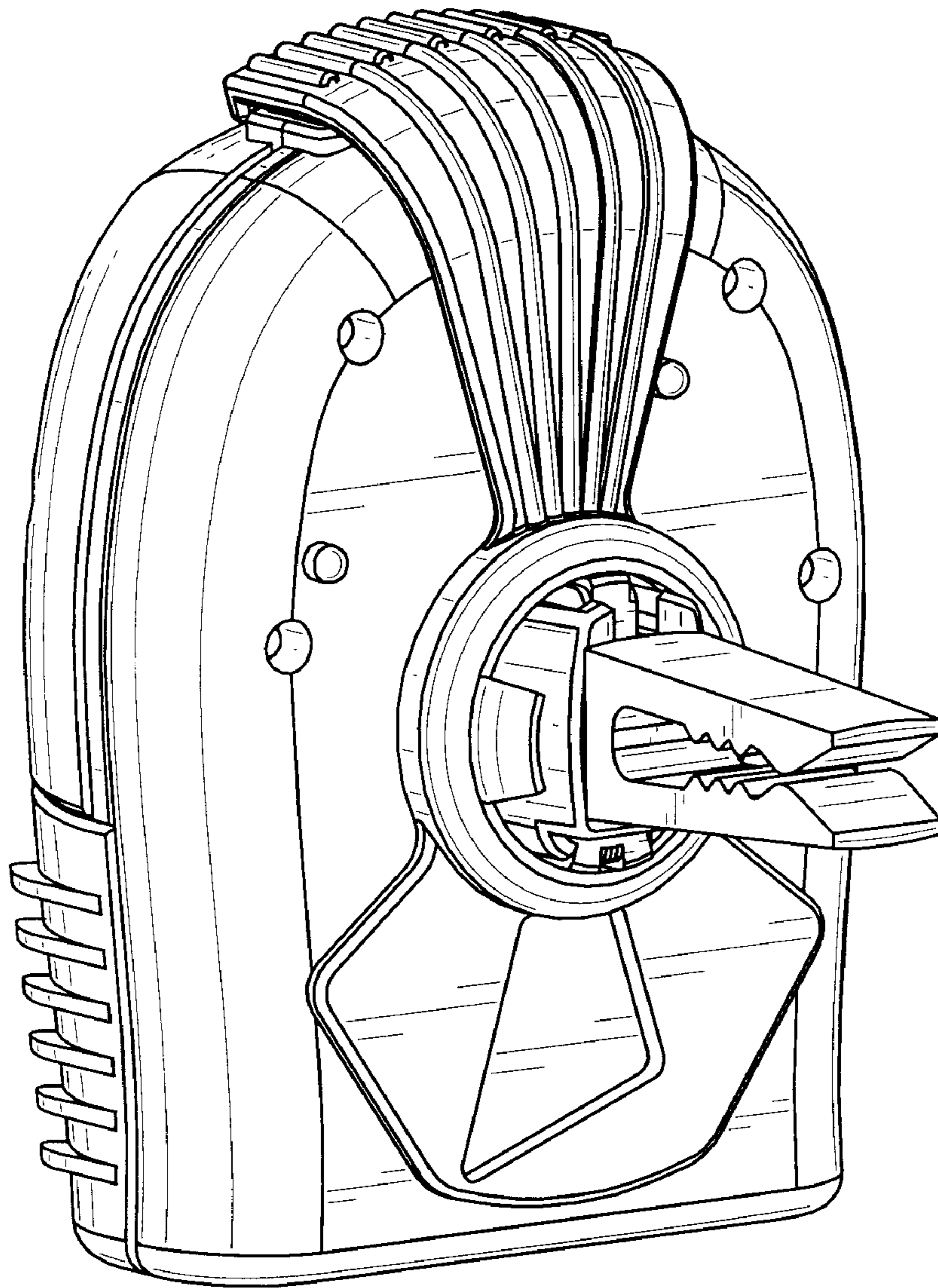


FIG. 7

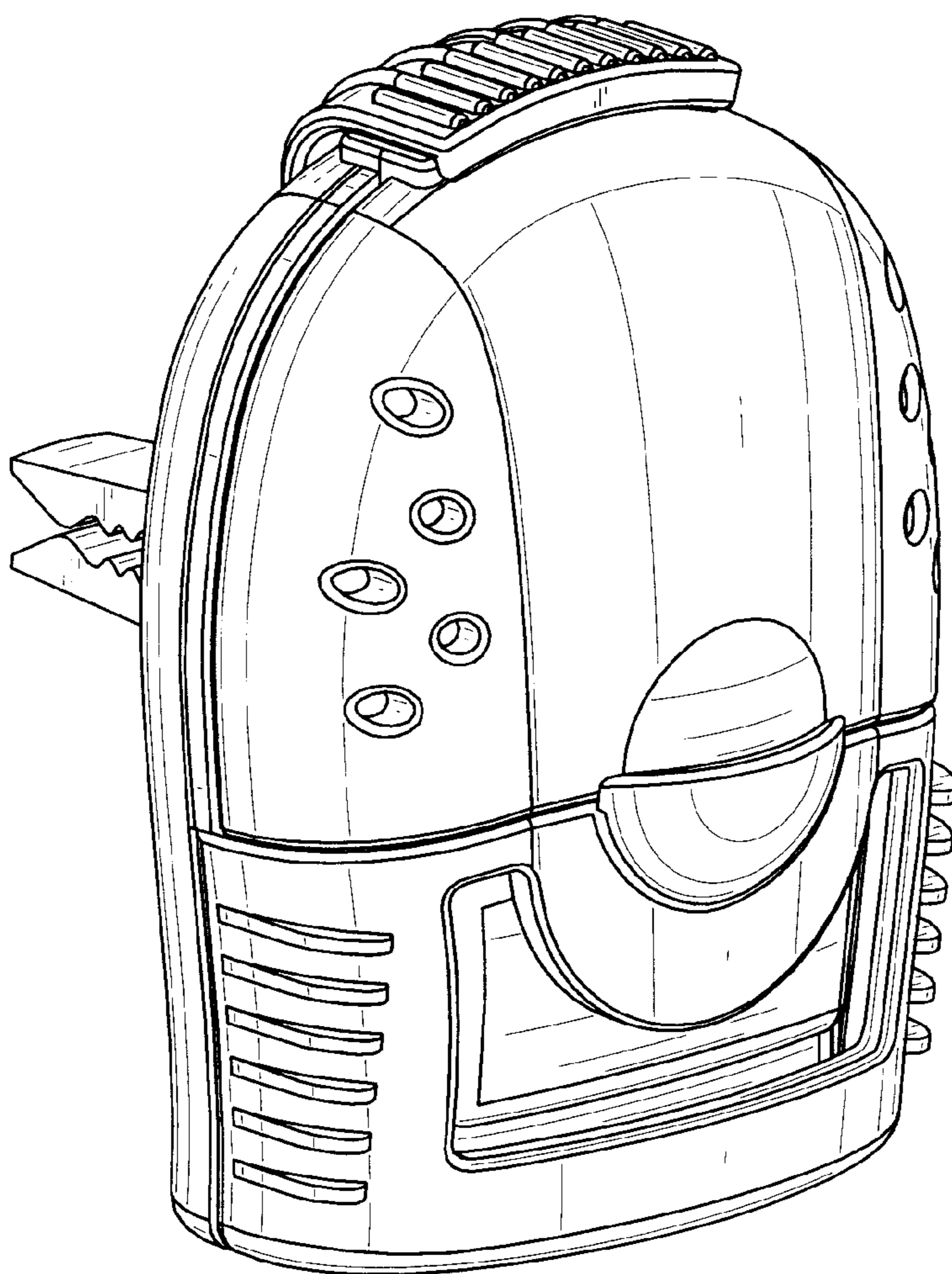


FIG. 8