

US00D544950S

(12) **United States Design Patent**  
**Zobeles**

(10) **Patent No.:** **US D544,950 S**  
(45) **Date of Patent:** **\*\* Jun. 19, 2007**

(54) **DIFFUSING EVAPORATOR**

(75) Inventor: **Franco Zobeles**, Trento (IT)

(73) Assignee: **Zobeles Holding S.p.A.**, Trento (IT)

(\*\*) Term: **14 Years**

(21) Appl. No.: **29/246,195**

(22) Filed: **Mar. 14, 2006**

(30) **Foreign Application Priority Data**

Sep. 15, 2005 (EM) ..... 000403126

(51) **LOC (8) Cl.** ..... **23-99**

(52) **U.S. Cl.** ..... **D23/366**

(58) **Field of Classification Search** ..... 392/341,  
392/342, 386, 390, 392-394, 401-406; D28/5,  
D28/6; 239/34-35, 53-60, 135-136, 326-327,  
239/338; D23/355-369; 261/DIG. 17, DIG. 42,  
261/DIG. 65, DIG. 88, DIG. 89  
See application file for complete search history.

(56) **References Cited**

**U.S. PATENT DOCUMENTS**

- D159,407 S \* 7/1950 Costello ..... D23/366
- 2,513,919 A \* 7/1950 Costello ..... 392/392
- 3,748,438 A \* 7/1973 Costello ..... 392/392
- D246,986 S \* 1/1978 Costello ..... D23/366
- 4,214,146 A \* 7/1980 Schimanski ..... 392/390
- 4,467,177 A \* 8/1984 Zobeles ..... 392/392
- 5,038,394 A \* 8/1991 Hasegawa et al. .... 392/395
- 5,290,546 A \* 3/1994 Hasegawa et al. .... 424/76.2
- D355,530 S \* 2/1995 Chan ..... D4/138
- D400,662 S \* 11/1998 Davis ..... D23/366
- D403,419 S \* 12/1998 Davis ..... D23/366
- 6,278,840 B1 \* 8/2001 Basaganas Millan ..... 392/390

- D449,101 S \* 10/2001 Wolpert et al. .... D23/366
- D461,885 S \* 8/2002 Jordi ..... D23/366
- D466,205 S \* 11/2002 Garcia ..... D23/366
- D477,065 S \* 7/2003 Lonczak et al. .... D23/366
- D489,123 S \* 4/2004 Basaganas Millan ..... D23/366
- 2003/0231876 A1 \* 12/2003 Basaganas Millan ..... 392/390

**FOREIGN PATENT DOCUMENTS**

- WO DM/013741 6/1989
- WO DM/015481 12/1989
- WO DM/018286 12/1990
- WO DM/020051 7/1991
- WO DM/023871 9/1992
- WO DM/035660 2/1996

\* cited by examiner

*Primary Examiner*—Sandra Snapp

(74) *Attorney, Agent, or Firm*—Banner & Witcoff, Ltd.

(57) **CLAIM**

The ornamental design for a diffusing evaporator, as shown and described.

**DESCRIPTION**

FIG. 1 is a first perspective view of a diffusing evaporator showing my new design;

FIG. 2 is a second perspective view thereof;

FIG. 3 is a top view thereof;

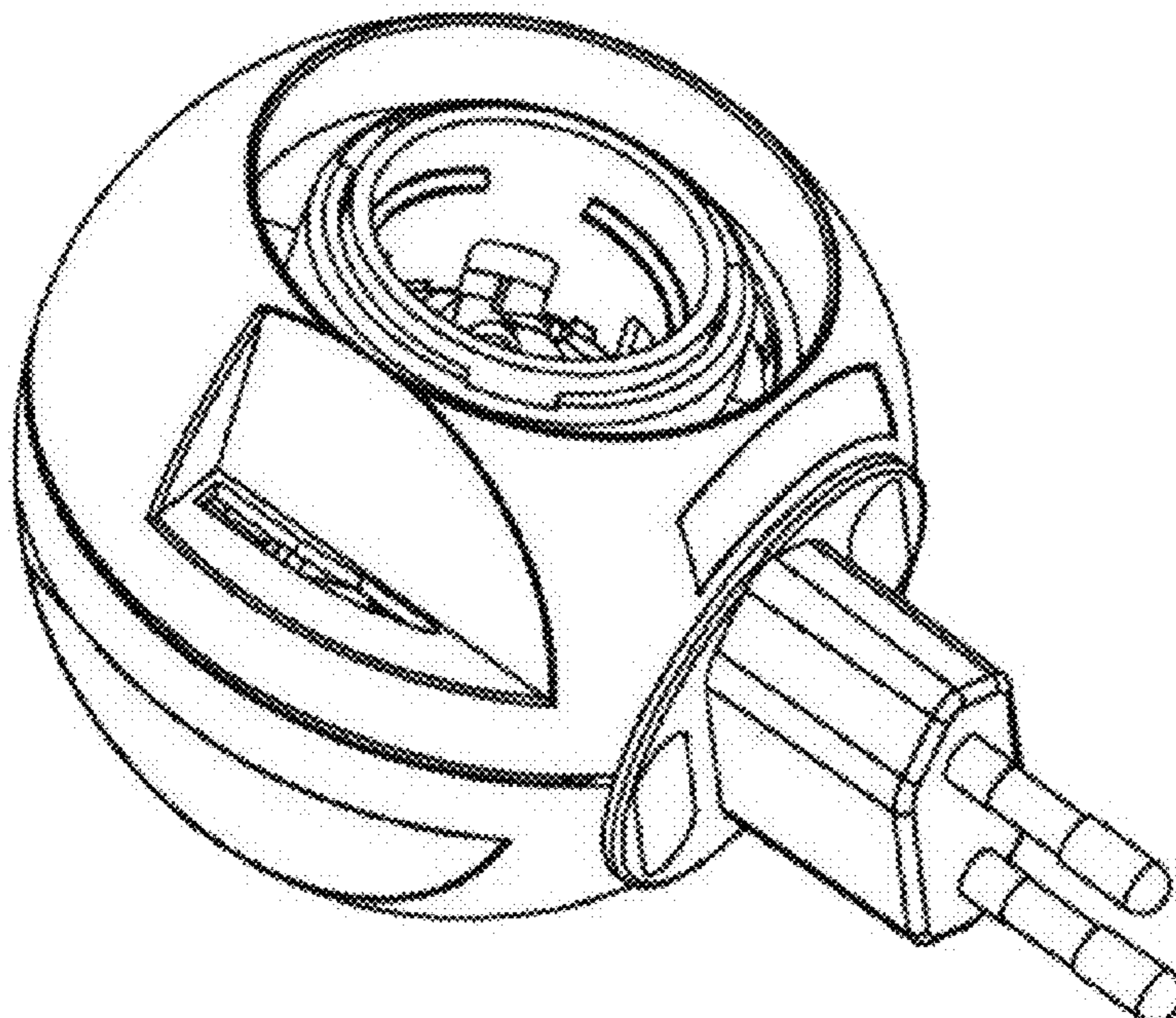
FIG. 4 is a bottom view thereof;

FIG. 5 is a right side view thereof, the left side view being a mirror image thereof;

FIG. 6 is a rear view thereof; and,

FIG. 7 is a front view thereof.

**1 Claim, 4 Drawing Sheets**



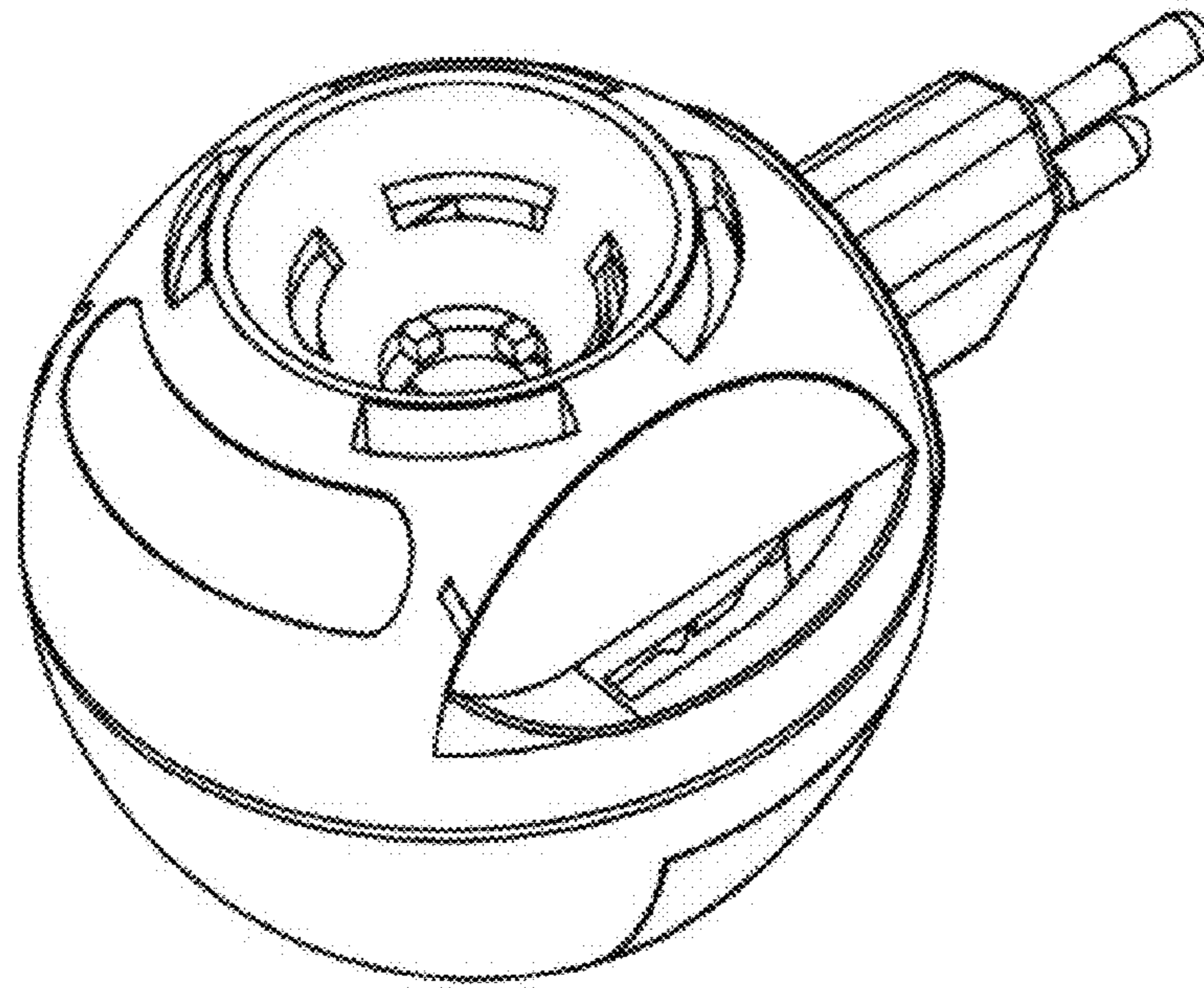


FIG. 1

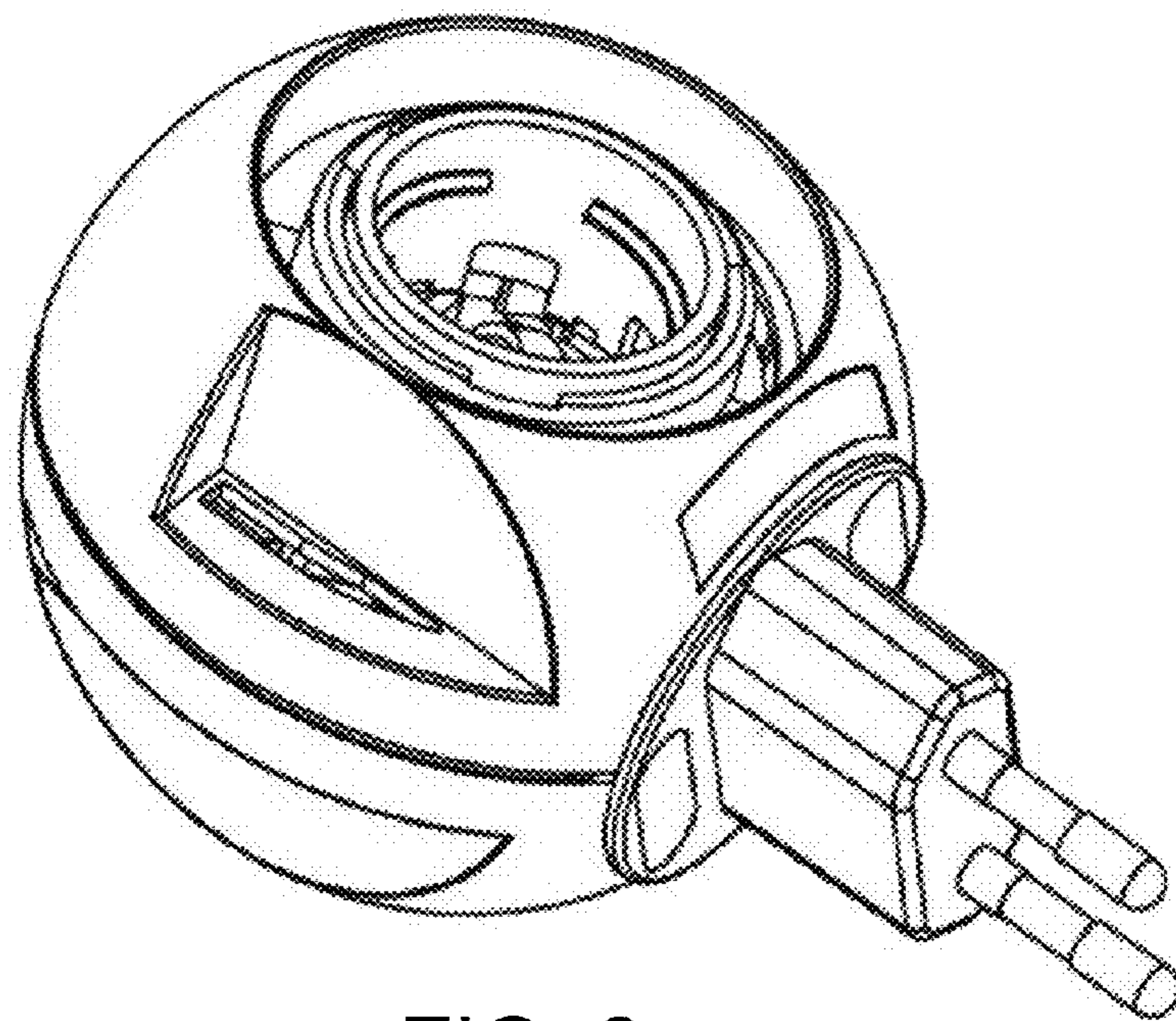


FIG. 2

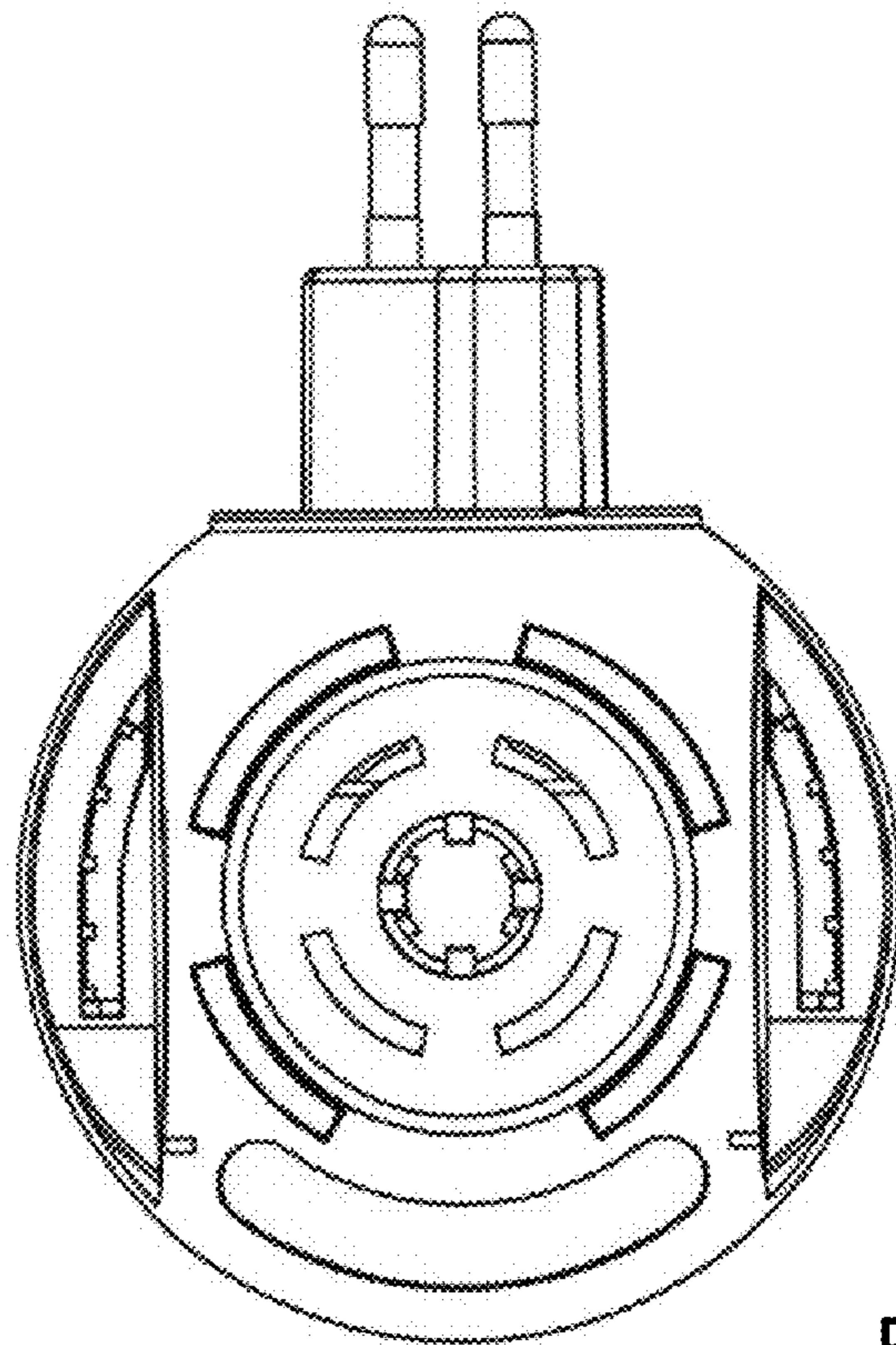


FIG. 3

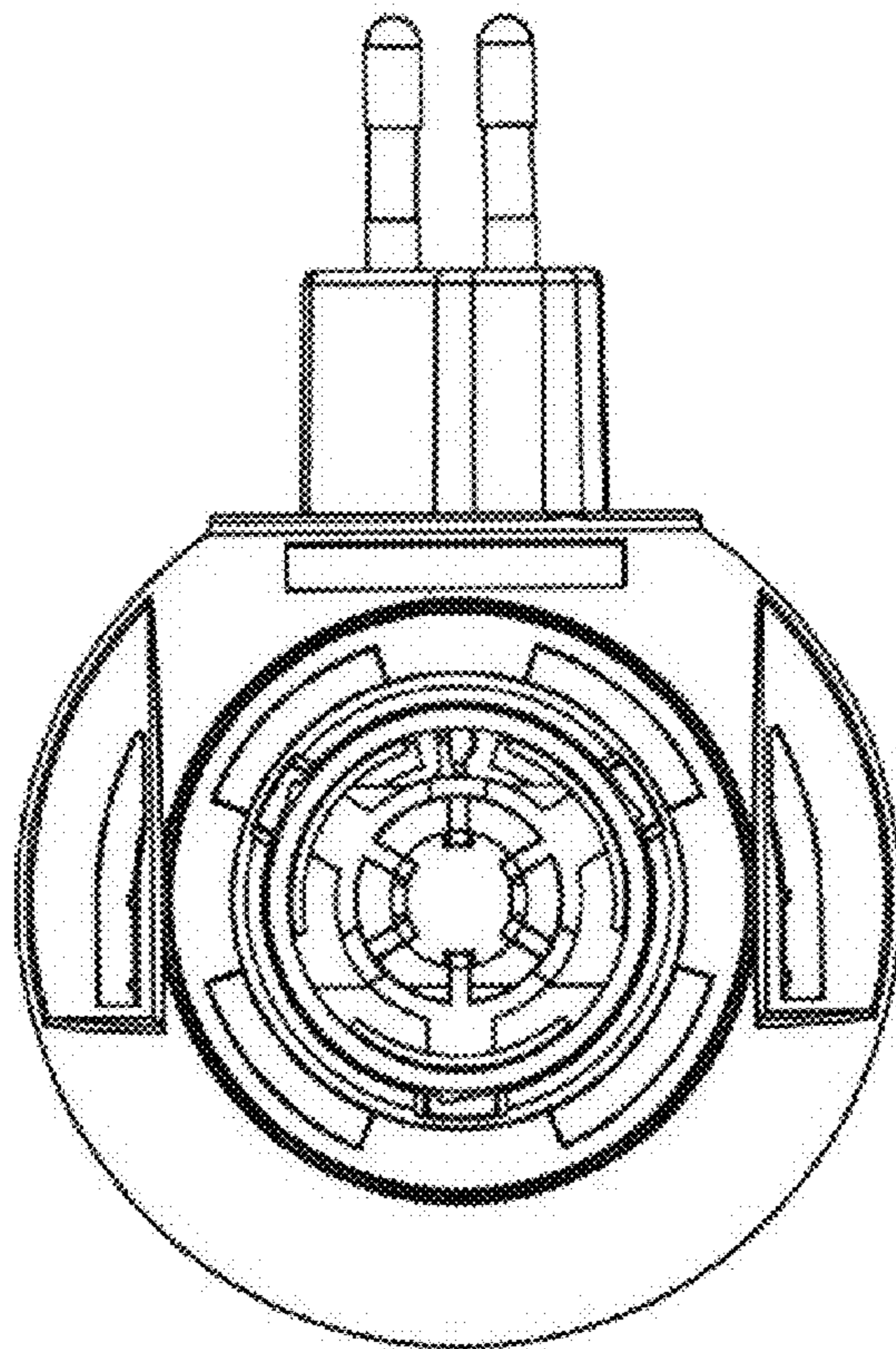


FIG. 4

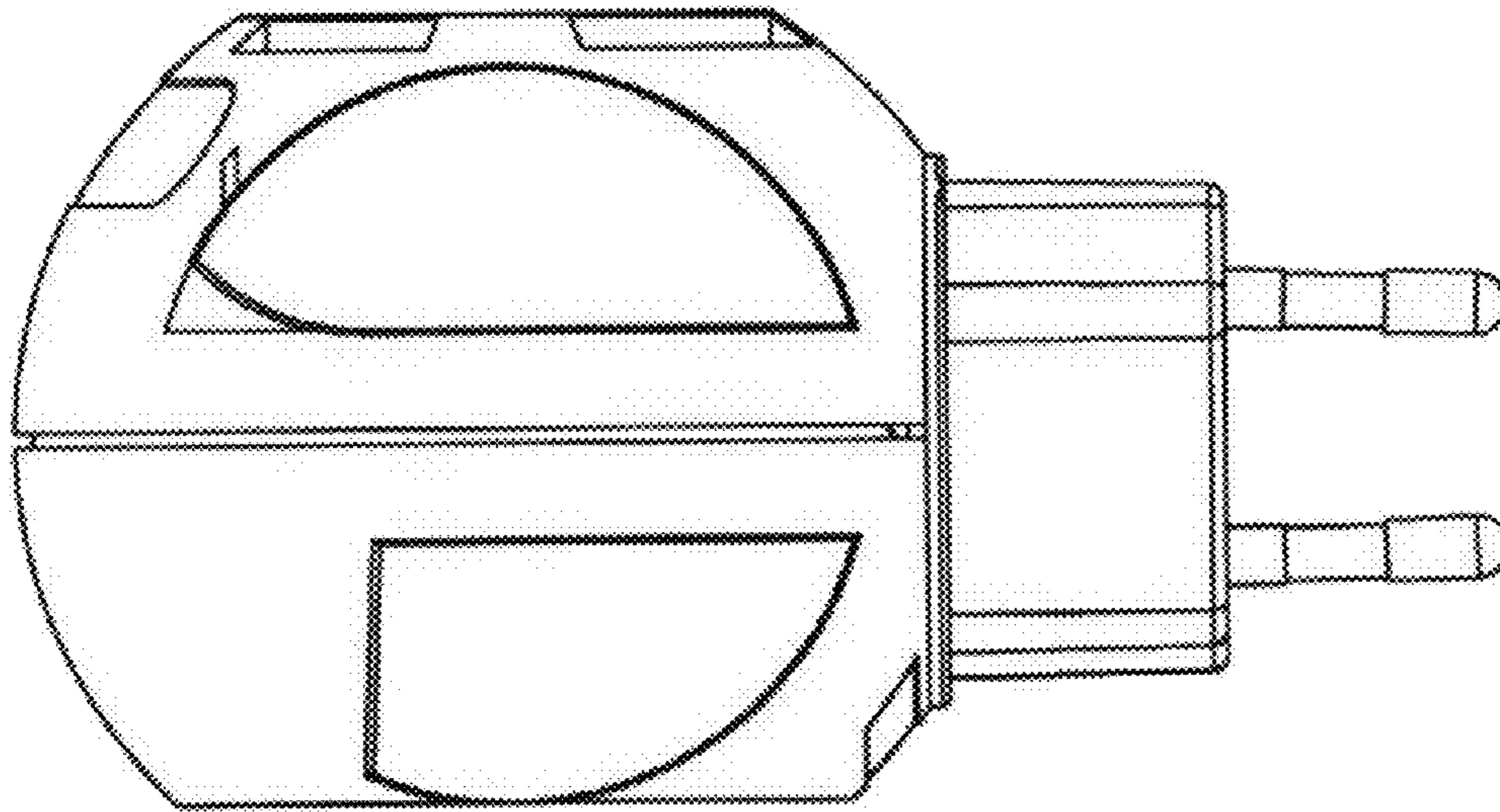


FIG. 5

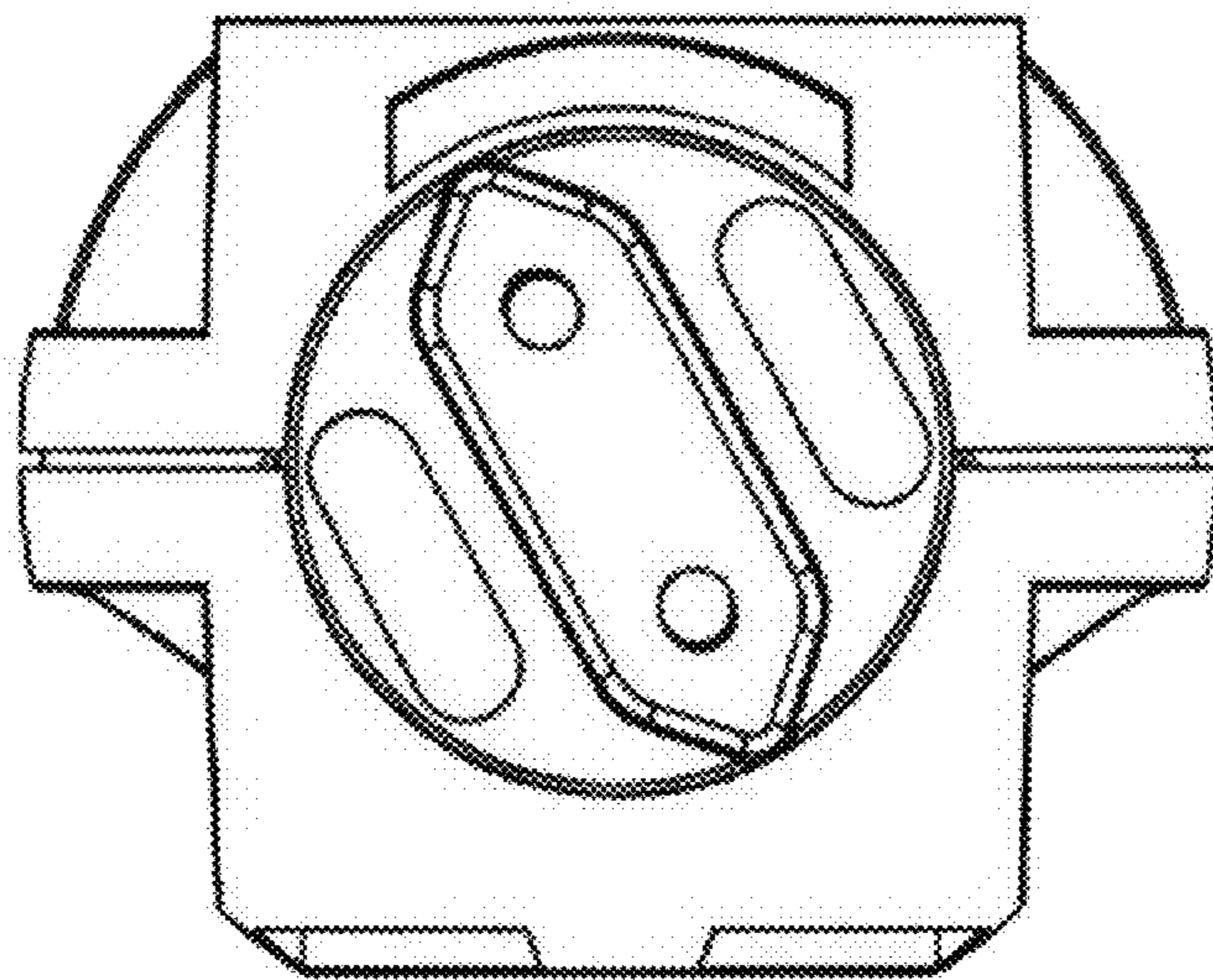


FIG. 6

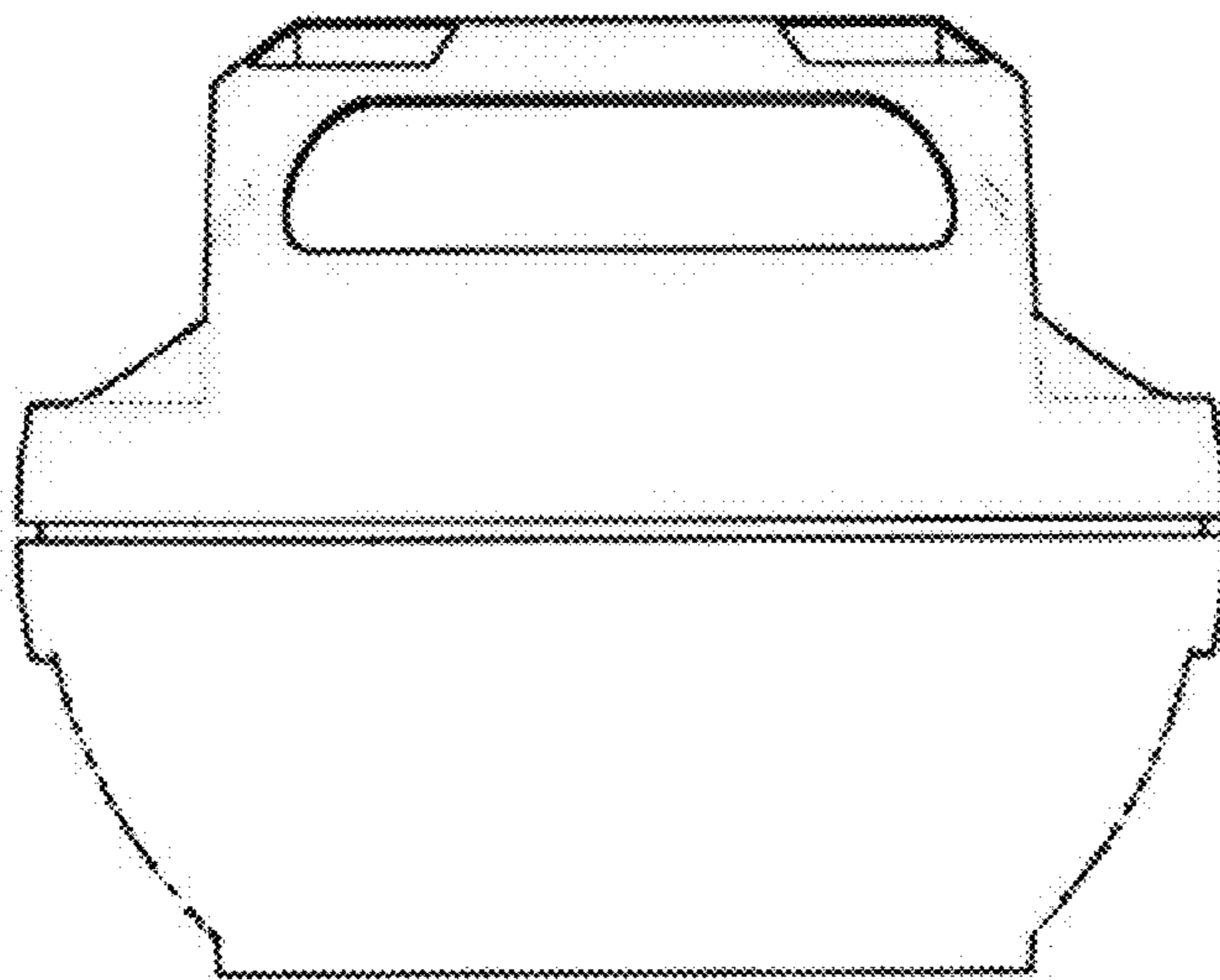


FIG. 7