

US00D544949S

(12) **United States Design Patent**
Winters et al.

(10) **Patent No.:** **US D544,949 S**
(45) **Date of Patent:** **** Jun. 19, 2007**

- (54) **AIR FILTER**
- (75) Inventors: **Philip J. Winters**, Lockport, IL (US);
Kevin Hobbs, Minooka, IL (US);
Michael Corbat, Naperville, IL (US);
Dean Kerstetter, Windsor, CA (US)
- (73) Assignee: **Filtration Group Incorporated**, Joliet,
IL (US)
- (**) Term: **14 Years**
- (21) Appl. No.: **29/212,999**
- (22) Filed: **Sep. 10, 2004**
- (51) **LOC (8) Cl.** **23-04**
- (52) **U.S. Cl.** **D23/365**
- (58) **Field of Classification Search** D23/209,
D23/365; 55/497, 499, 501, 511, 521, DIG. 30
See application file for complete search history.

- 5,397,632 A 3/1995 Murphy, Jr. et al.
- 5,505,852 A 4/1996 Van Rossen
- 5,507,847 A 4/1996 George
- 5,509,950 A 4/1996 van de Graff et al.
- 5,512,075 A 4/1996 Ninomiya
- 5,597,645 A 1/1997 Pike et al.
- 5,618,324 A 4/1997 Sommer et al.
- 5,620,505 A * 4/1997 Koch et al. 96/134
- 5,704,953 A 1/1998 Stemmer
- 5,709,735 A 1/1998 Midkiff et al.
- 5,779,747 A 7/1998 Schlor
- 5,814,219 A 9/1998 Friedmann
- 5,820,644 A 10/1998 Mori et al.
- 5,836,861 A 11/1998 Diaz
- 5,868,889 A 2/1999 Kahler
- 6,039,779 A 3/2000 Butz et al.
- 6,152,980 A 11/2000 Culwell
- D449,100 S * 10/2001 Sundet et al. D23/365
- 6,299,660 B1 10/2001 Pfeuffer et al.
- 6,319,300 B1 11/2001 Chen
- 6,398,839 B2 * 6/2002 Choi et al. 55/499
- D483,103 S * 12/2003 Dalzell D23/365
- 6,740,136 B2 5/2004 Duffy
- 6,740,137 B2 5/2004 Kubokawa et al.

(56) **References Cited**

U.S. PATENT DOCUMENTS

- 30,782 A 11/1860 Wright
- 2,058,669 A 10/1936 Dollinger
- 2,082,481 A 6/1937 Christofferson
- 3,164,456 A * 1/1965 Brainerd, Jr. et al. 55/500
- 3,344,590 A 10/1967 Smith et al.
- 3,392,846 A 7/1968 Getzin
- 3,679,057 A 7/1972 Perez
- 3,712,033 A 1/1973 Gronholz
- 3,853,529 A 12/1974 Boothe et al.
- 3,941,571 A 3/1976 Getzin
- 3,999,964 A 12/1976 Carr
- 4,135,900 A 1/1979 Westlin et al.
- 4,199,387 A 4/1980 Hladik
- 4,210,067 A 7/1980 Evans, Jr.
- 4,678,578 A 7/1987 Nodes
- 4,731,047 A 3/1988 Lobb
- 4,798,575 A 1/1989 Siversson
- 4,817,942 A 4/1989 Begon
- 4,976,677 A 12/1990 Siversson
- 5,230,800 A 7/1993 Nelson
- 5,389,175 A 2/1995 Wenz

* cited by examiner

Primary Examiner—Robin Webster
(74) *Attorney, Agent, or Firm*—Vedder Price Kaufman &
Kammholz

(57) **CLAIM**

The ornamental design of the air filter, as shown and described.

DESCRIPTION

FIG. 1 is a perspective view of the air filter showing our new design;

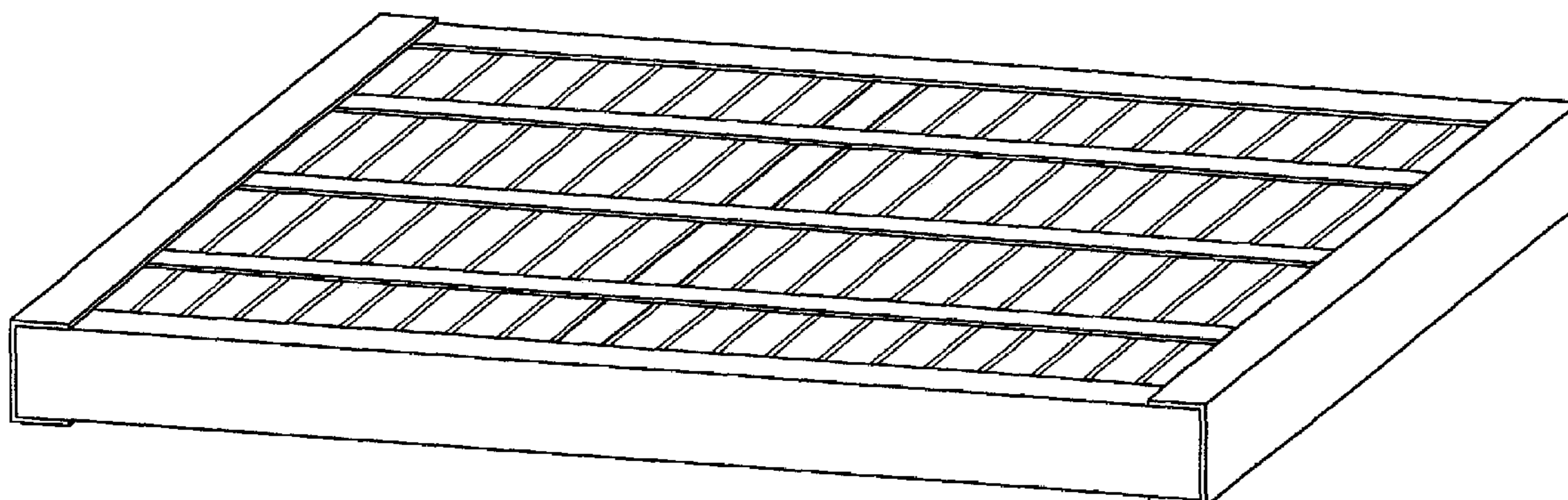
FIG. 2 is a view of one side of our design, the opposite side being a mirror image thereof;

FIG. 3 is a view of one end of our design, the other end being a mirror image thereof;

FIG. 4 is a top view thereof; and,

FIG. 5 is a bottom view thereof.

1 Claim, 3 Drawing Sheets



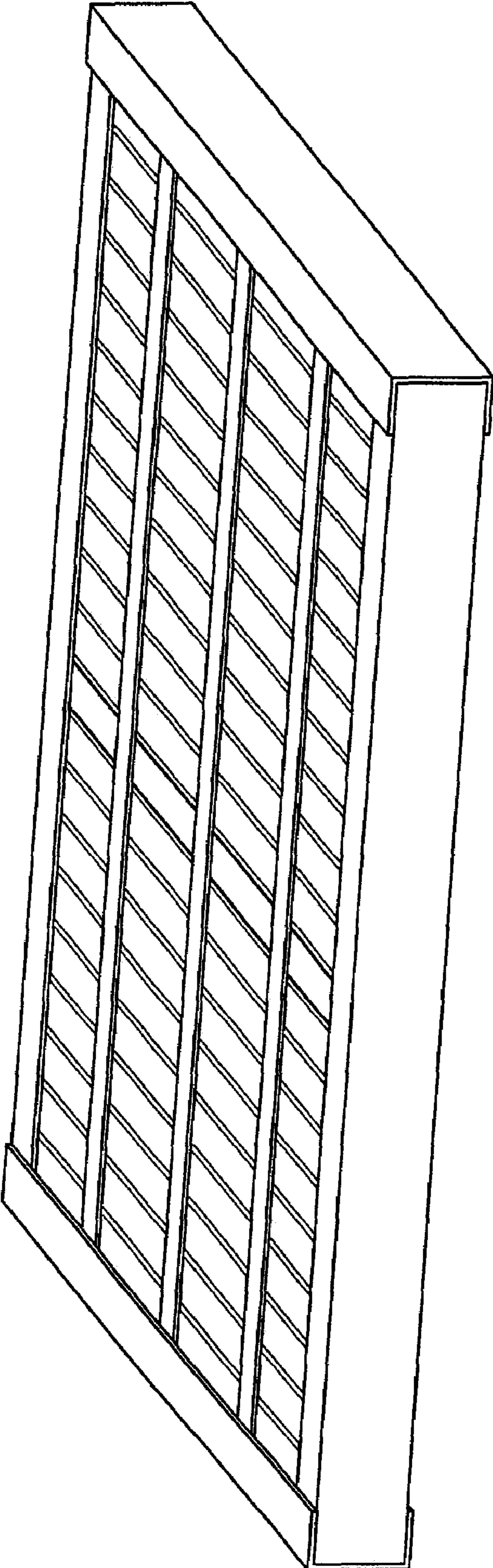


FIG. 1

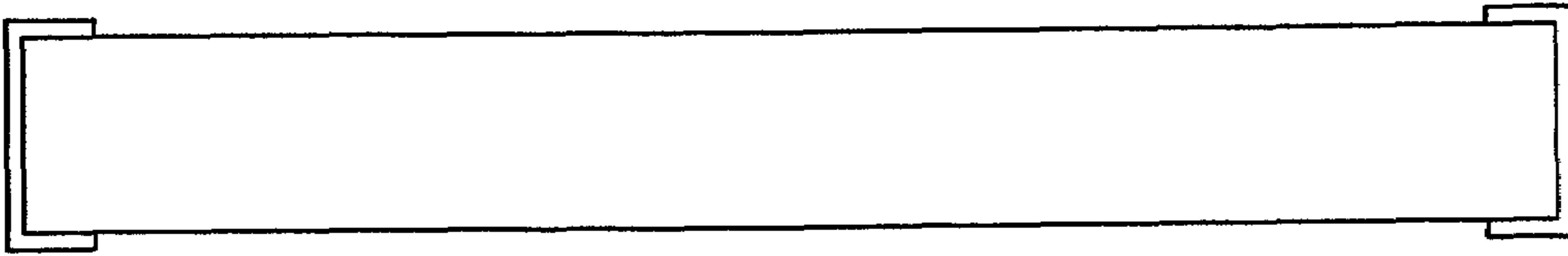


FIG. 2

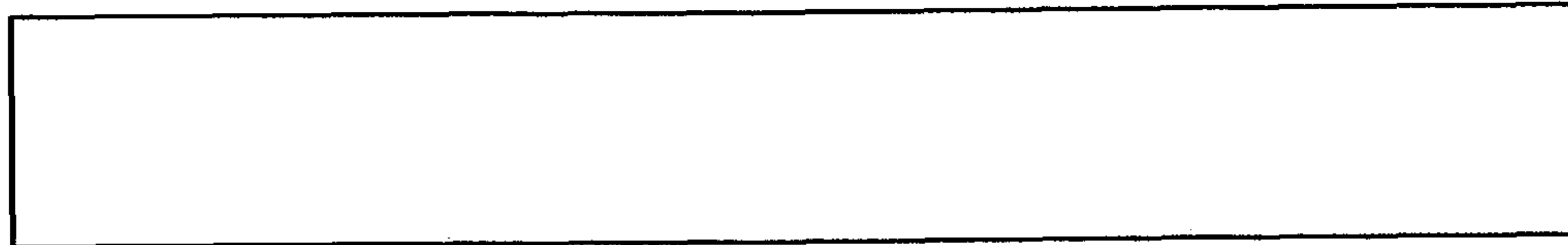


FIG. 3

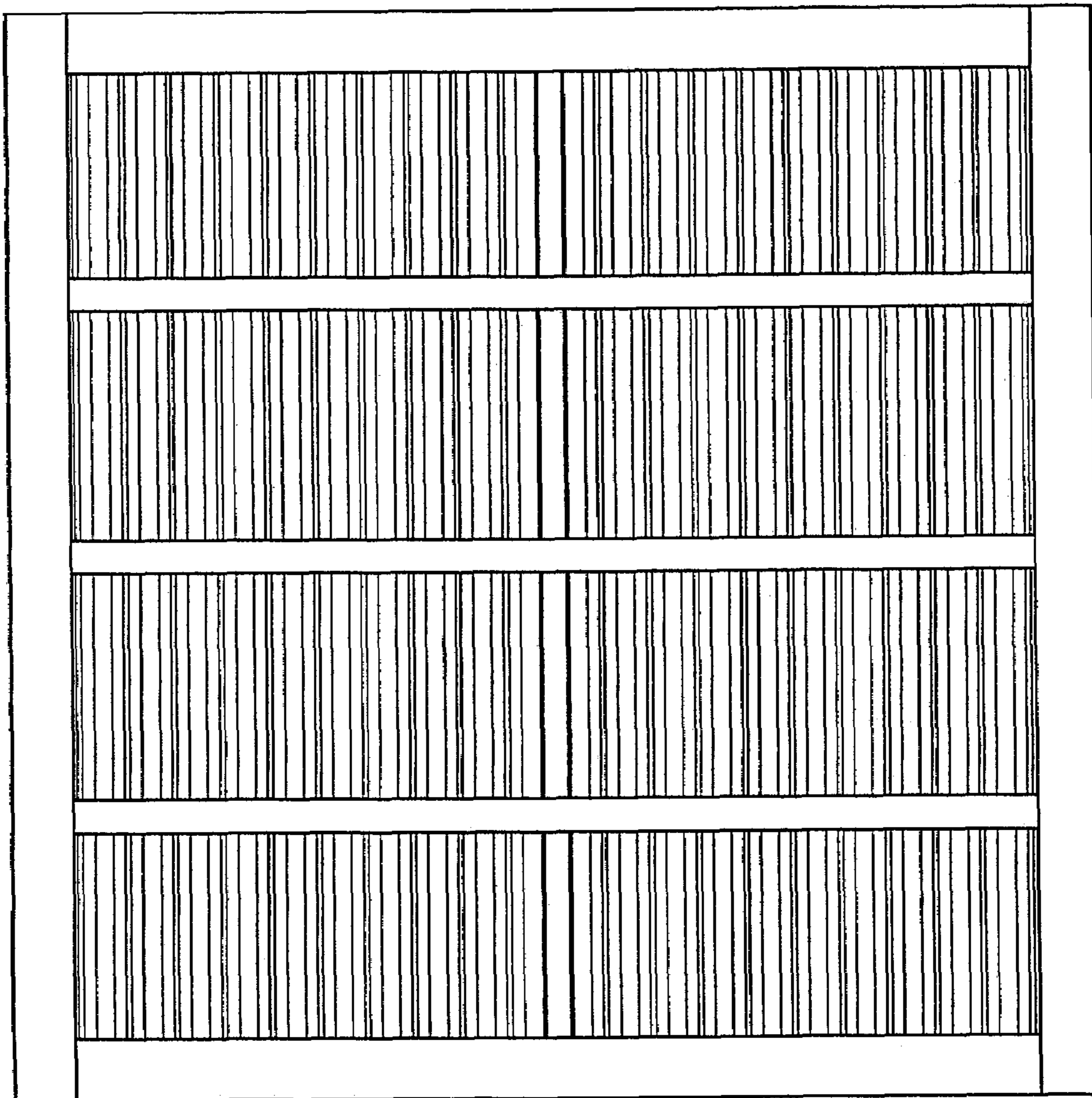


FIG. 4

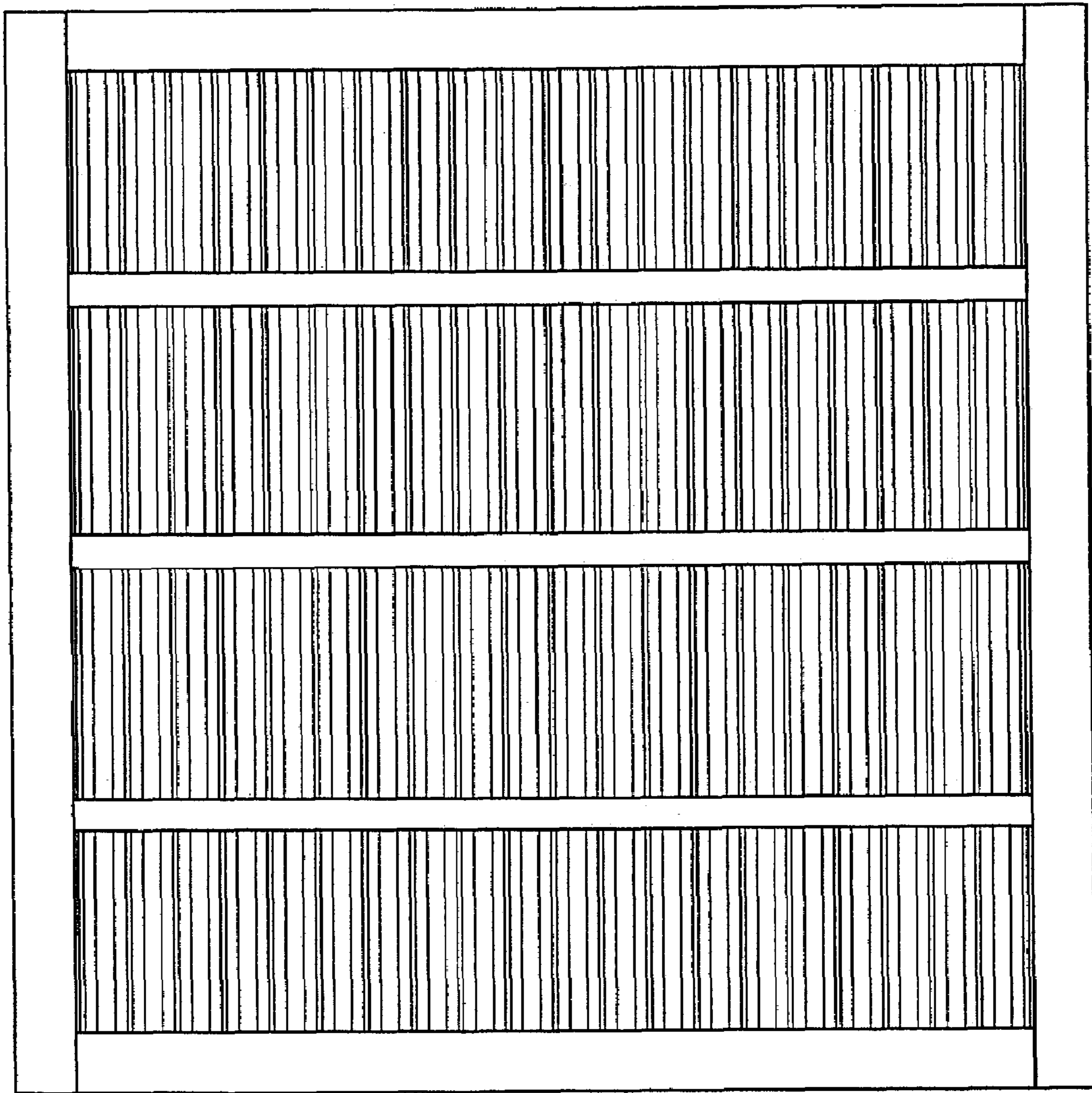


FIG. 5