



US00D544948S

(12) **United States Design Patent**
Spiegel

(10) **Patent No.:** **US D544,948 S**

(45) **Date of Patent:** **** Jun. 19, 2007**

(54) **AIR PURIFIER**

(75) Inventor: **Peter Spiegel**, Los Angeles, CA (US)

(73) Assignee: **Sylmark Holdings Limited** (IE)

(**) Term: **14 Years**

(21) Appl. No.: **29/254,657**

(22) Filed: **Feb. 25, 2006**

(51) **LOC (8) Cl.** **23-04**

(52) **U.S. Cl.** **D23/364**

(58) **Field of Classification Search** D23/364,
D23/355, 356, 359, 360, 366, 369, 332, 333,
D23/335, 324, 342; 422/120, 122; 55/356,
55/473, 504; 96/97; D14/188, 170, 172
See application file for complete search history.

(56) **References Cited**

U.S. PATENT DOCUMENTS

D246,252 S *	11/1977	Schade	D23/335
D281,101 S *	10/1985	Tsuji	D23/364
D282,000 S *	12/1985	Madl et al.	D23/364
D301,476 S *	6/1989	Scianna et al.	D14/188
D314,819 S *	2/1991	Thompson et al.	D23/364
D344,791 S *	3/1994	Cunning	D23/364
D377,213 S *	1/1997	Wang	D23/364
D380,254 S *	6/1997	Chiang	D23/324
D390,570 S *	2/1998	Read	D14/240

D402,746 S *	12/1998	Clark et al.	D23/364
D440,957 S	4/2001	Grinkus		
D446,577 S *	8/2001	Barker et al.	D23/364
D498,742 S	11/2004	Green		
D502,462 S	3/2005	Silverstein		
D509,292 S *	9/2005	Gatchell et al.	D23/364
D516,056 S *	2/2006	Hsiau	D14/188

* cited by examiner

Primary Examiner—Louis Zarfaz

Assistant Examiner—David G. Muller

(74) *Attorney, Agent, or Firm*—Kathy Mojibi Kavcioglu

(57) **CLAIM**

The ornamental design for an air purifier, as shown and described.

DESCRIPTION

FIG. 1 is a perspective view of a preferred embodiment of the air purifier device of the present invention;

FIG. 2 is a top view thereof;

FIG. 3 is a front view thereof;

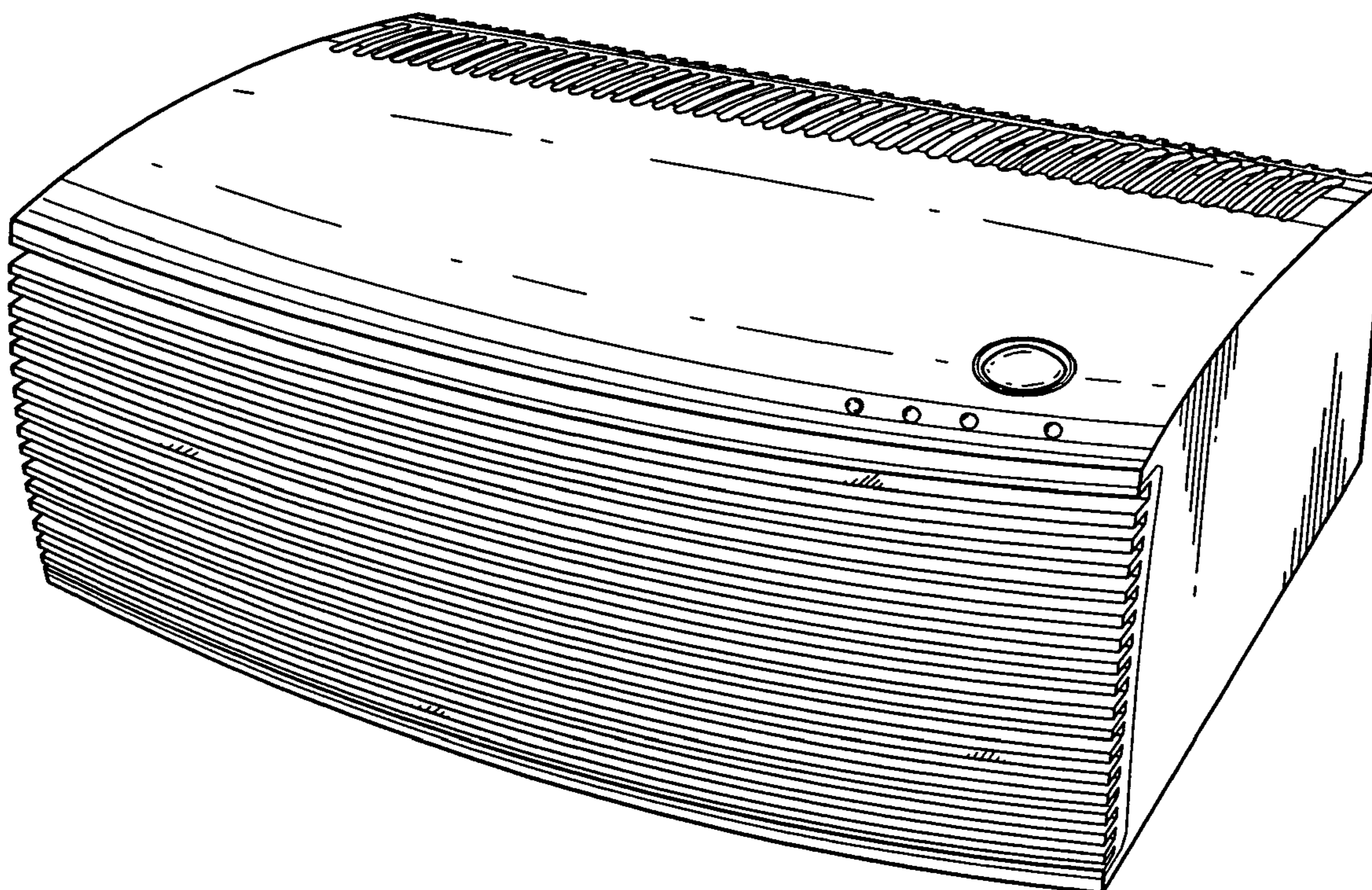
FIG. 4 is a left side view thereof;

FIG. 5 is a right side view thereof;

FIG. 6 is a rear view thereof; and,

FIG. 7 is a bottom plan view thereof.

1 Claim, 4 Drawing Sheets



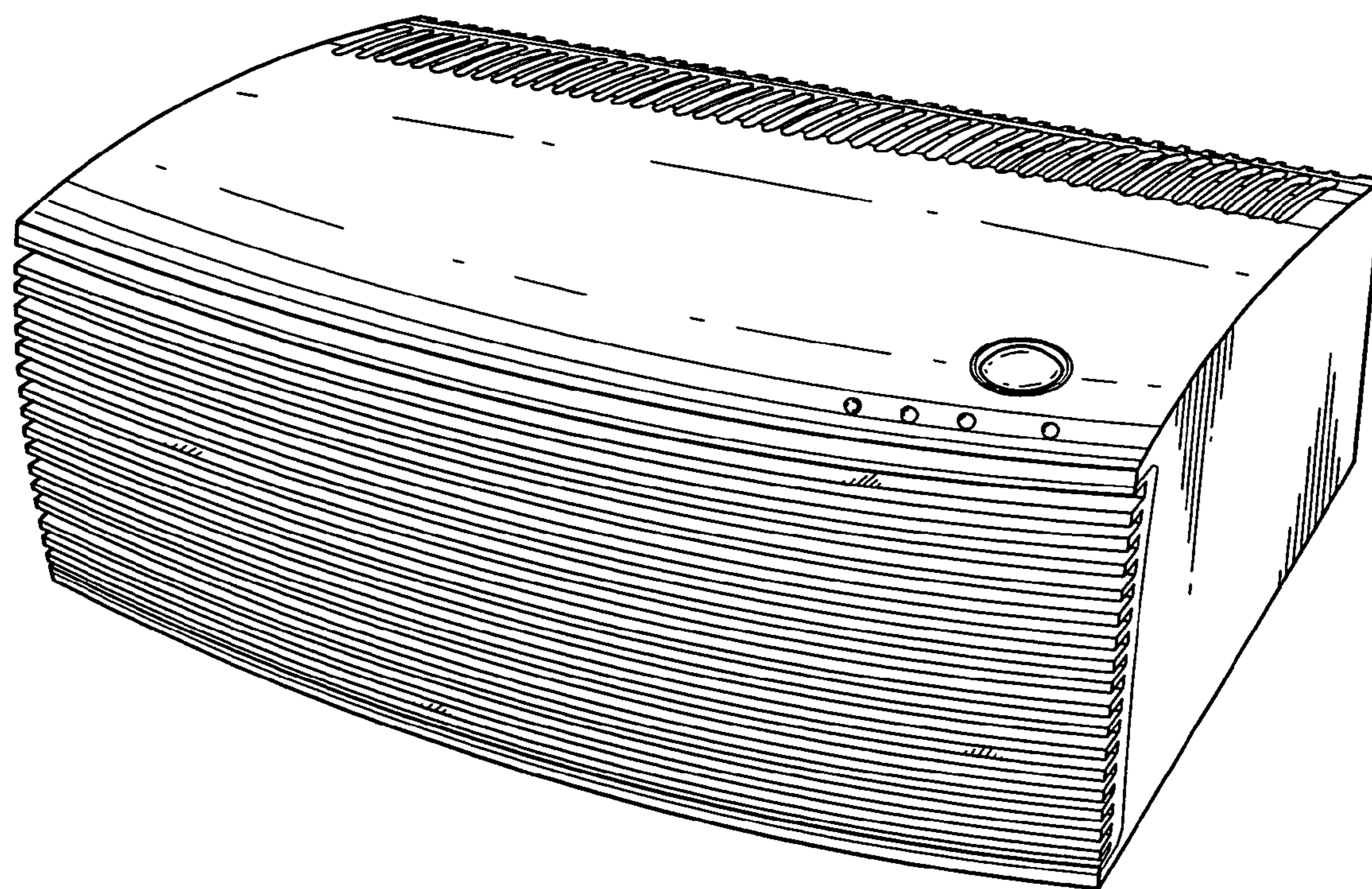


FIG. 1

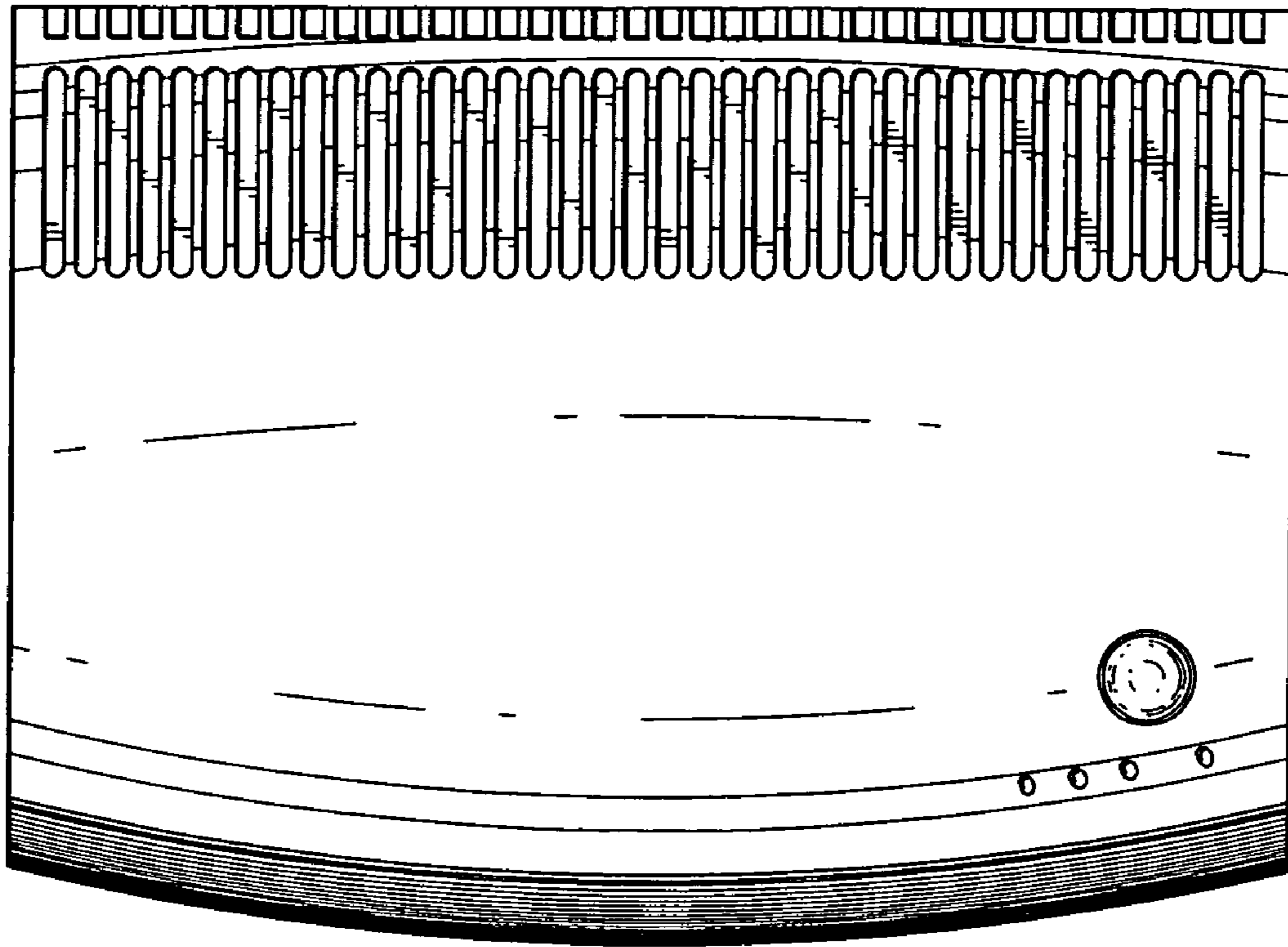


FIG. 2

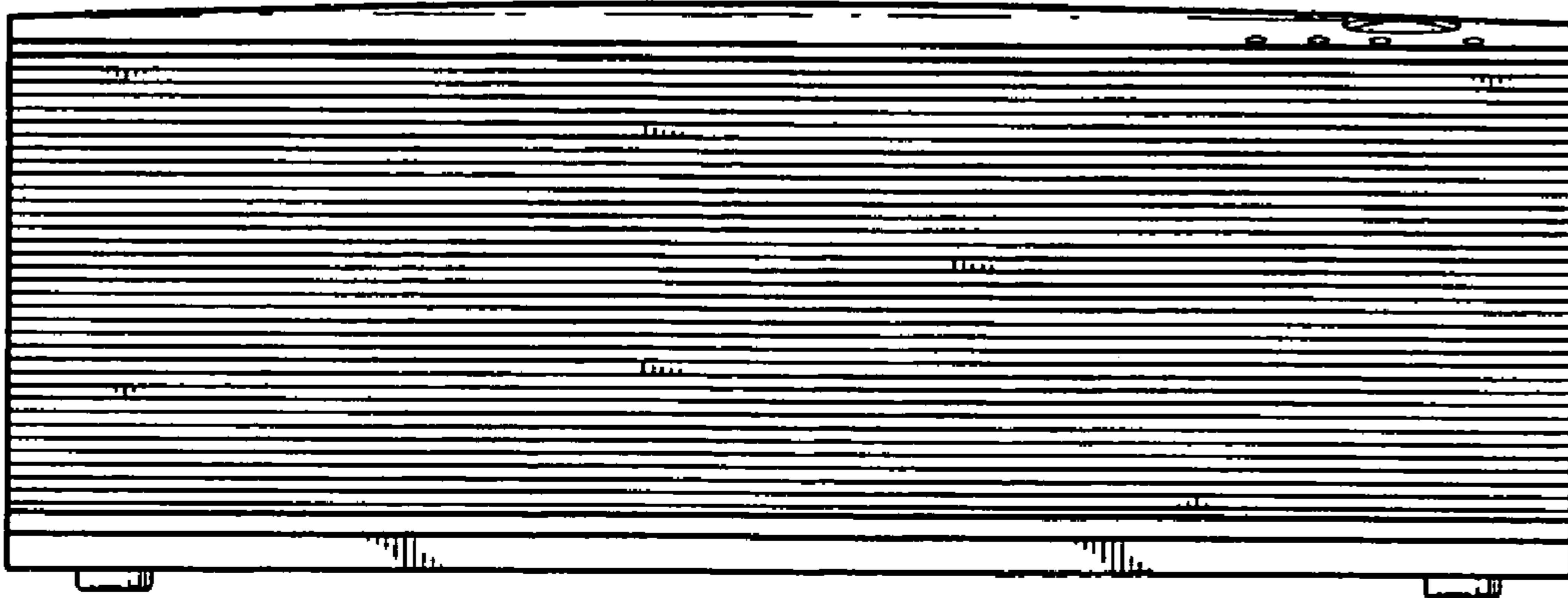


FIG. 3

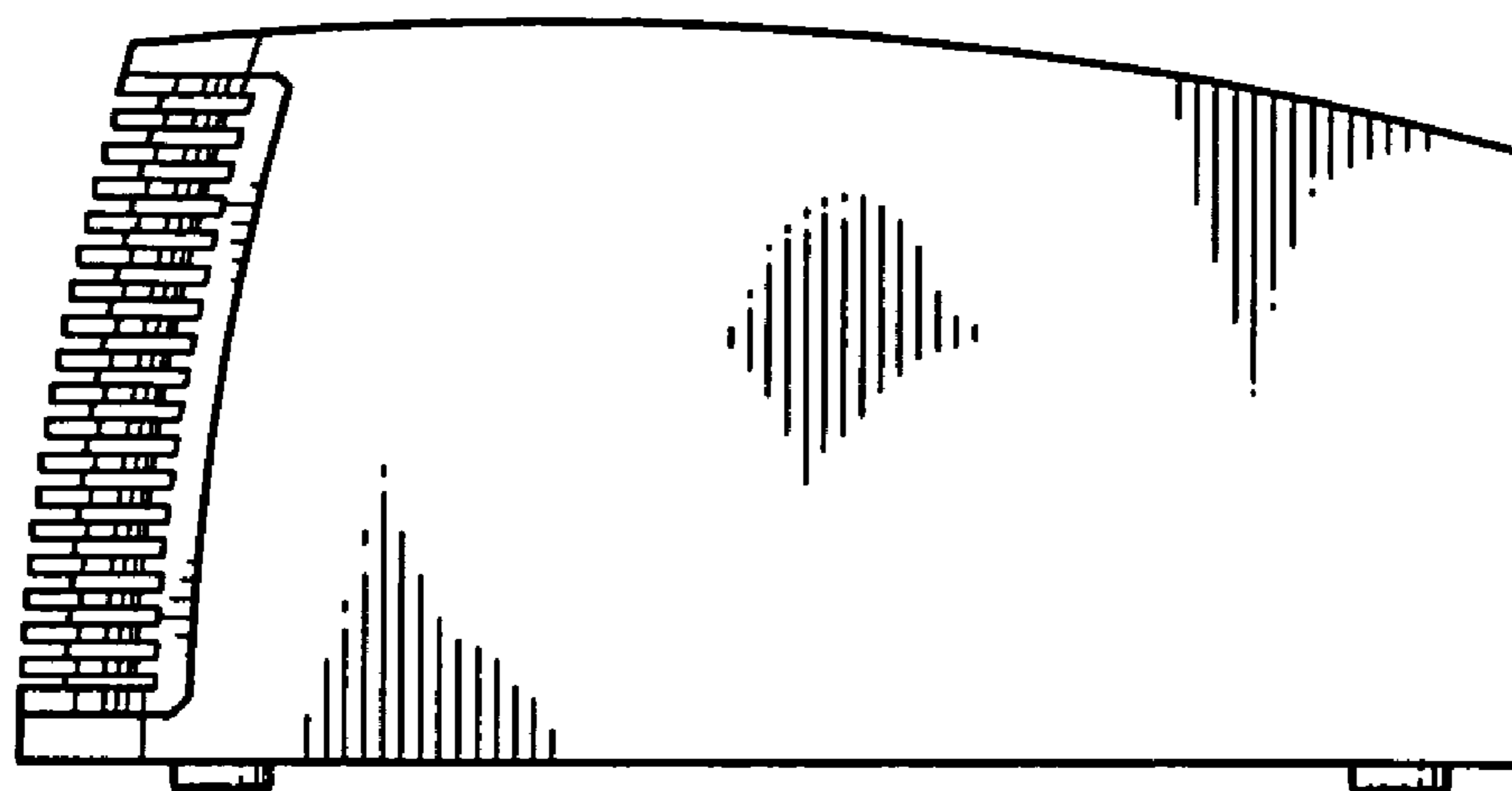


FIG. 4

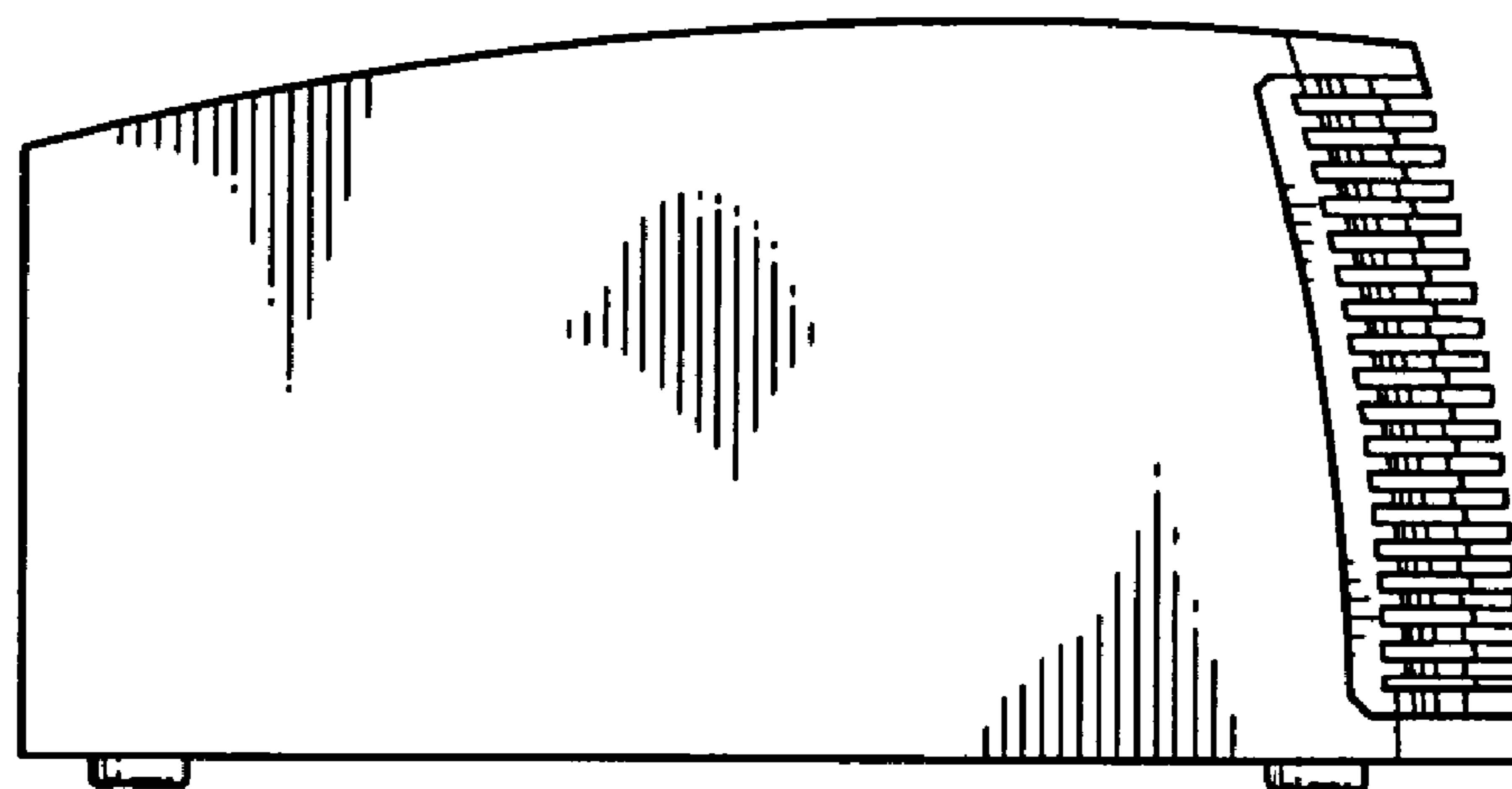


FIG. 5

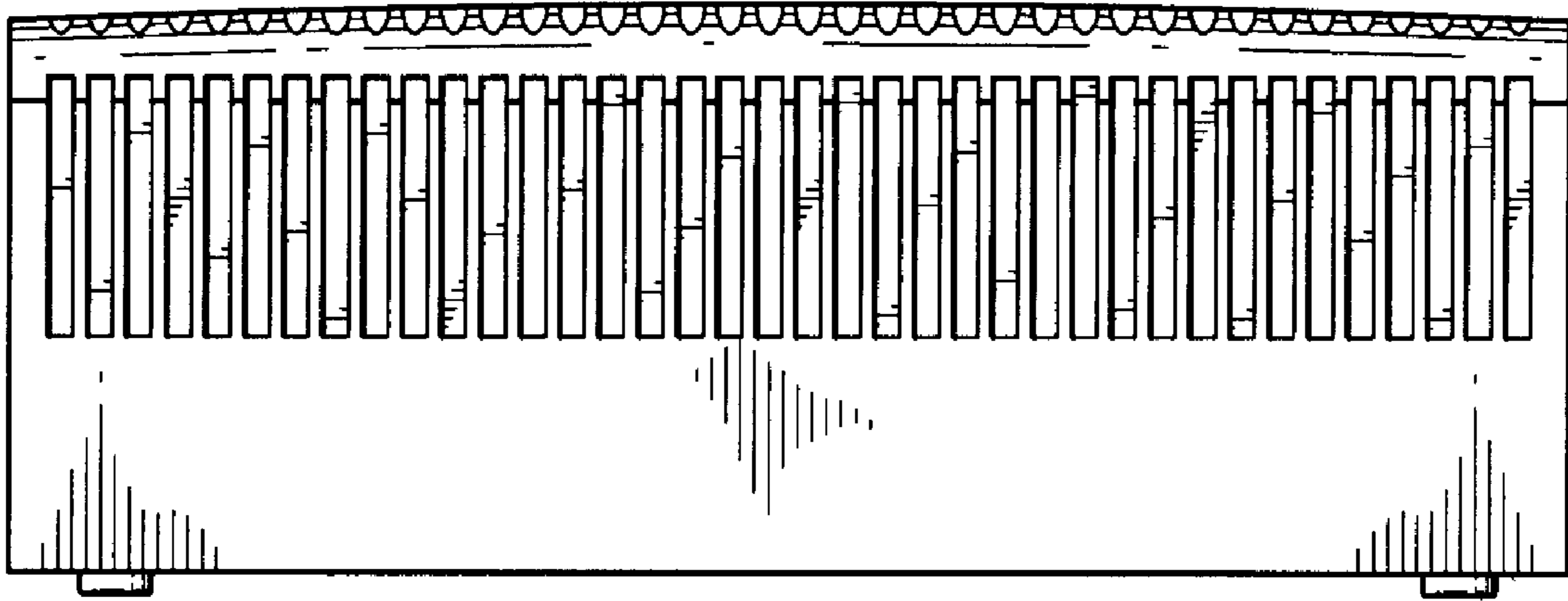


FIG. 6

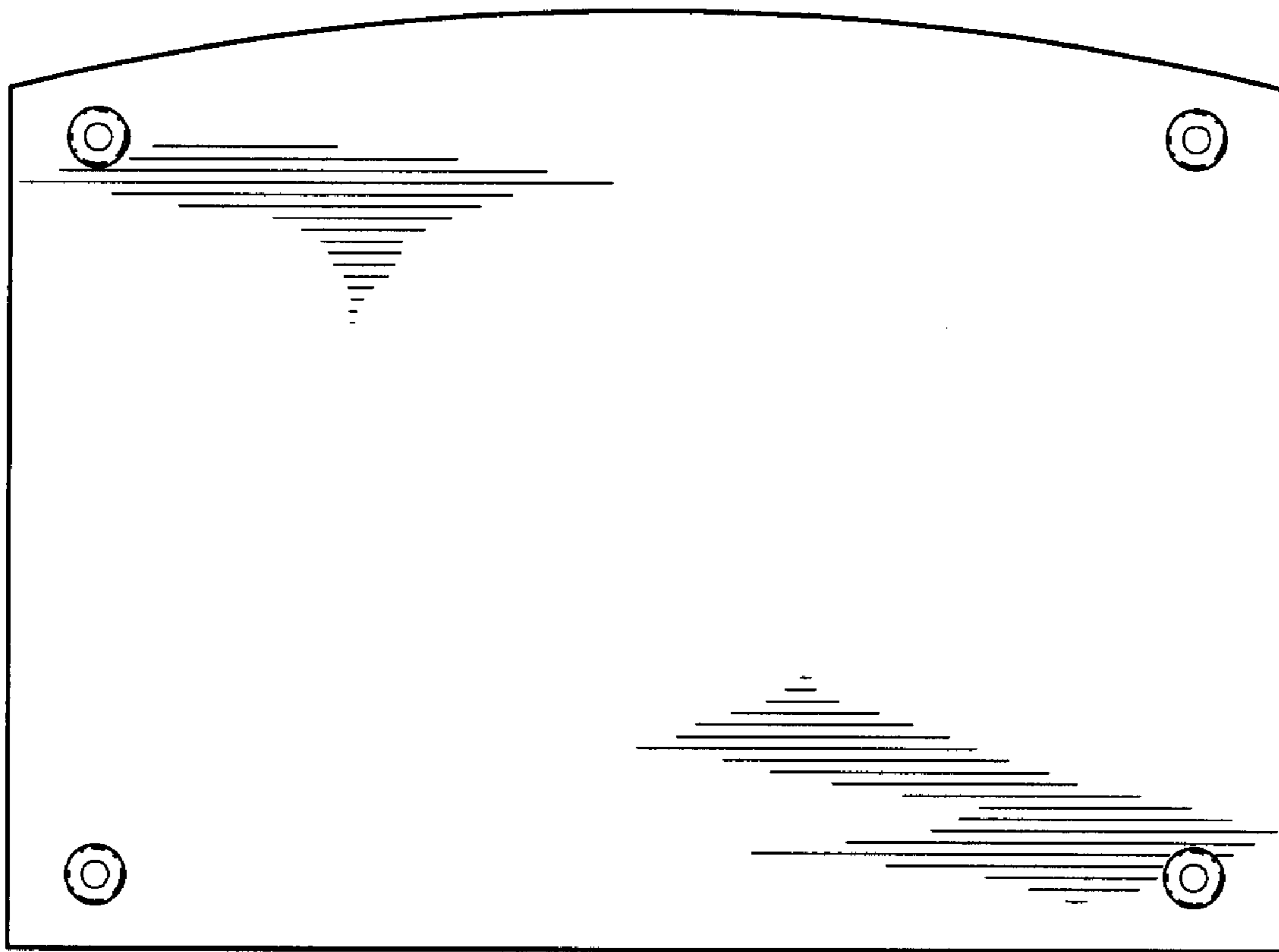


FIG. 7