



US00D544944S

(12) **United States Design Patent**
Li

(10) **Patent No.:** **US D544,944 S**

(45) **Date of Patent:** **** Jun. 19, 2007**

(54) **SHOWERHEAD**

(75) Inventor: **Chun-Kong Li**, Tsuen Wan (CN)

(73) Assignee: **Moen Incorporated**, North Olmsted,
OH (US)

(**) Term: **14 Years**

(21) Appl. No.: **29/251,867**

(22) Filed: **Jan. 13, 2006**

(51) **LOC (8) Cl.** **23-01**

(52) **U.S. Cl.** **D23/213; D23/229**

(58) **Field of Classification Search** D23/213,
D23/229-230; 239/282-283; 4/615
See application file for complete search history.

(56) **References Cited**

U.S. PATENT DOCUMENTS

475,754	A	5/1892	Clifford et al.	
509,353	A	11/1893	Austin	
777,042	A	12/1904	Mercereau et al.	
1,045,057	A	11/1912	Moran et al.	
D43,894	S	4/1913	Becker	
1,218,879	A	3/1917	Luzzi	
1,330,441	A	2/1920	Fraser	
1,360,381	A	11/1920	Edwards	
1,597,477	A	8/1926	Panhorst	
1,633,531	A *	6/1927	Keller	239/559
1,724,147	A	8/1929	Russell	
1,877,510	A *	9/1932	Hughes	236/93 R
D91,825	S	2/1934	Isenberg	
1,962,793	A *	6/1934	Vogel	239/282
D98,006	S *	12/1935	Landgarten	D23/213
D127,474	S	5/1941	Holden	
2,325,123	A	7/1943	Isenberg	
D143,738	S	2/1946	Klein	
D439,309	S *	3/2001	Milrud	D23/229

D454,621	S	3/2002	Lord	
D467,638	S	12/2002	Lord	
D475,119	S	5/2003	Colligan et al.	
D487,915	S	3/2004	Egee	
D498,816	S	11/2004	Egee	
D501,242	S	1/2005	Blomstrom	
D502,251	S *	2/2005	Otero	D23/213
D503,462	S *	3/2005	Ouyoung	D23/229
D531,263	S *	10/2006	Tse	D23/213

* cited by examiner

Primary Examiner—Robin Webster

(74) *Attorney, Agent, or Firm*—Calfee, Halter & Griswold LLP

(57) **CLAIM**

The ornamental design for a showerhead, as shown and described.

DESCRIPTION

FIG. 1 is a perspective view of a showerhead of the new design;

FIG. 2 is a top plan view of the showerhead of FIG. 1;

FIG. 3 is a bottom plan view of the showerhead of FIG. 1;

FIG. 4 is a left side elevational view of the showerhead of FIG. 1;

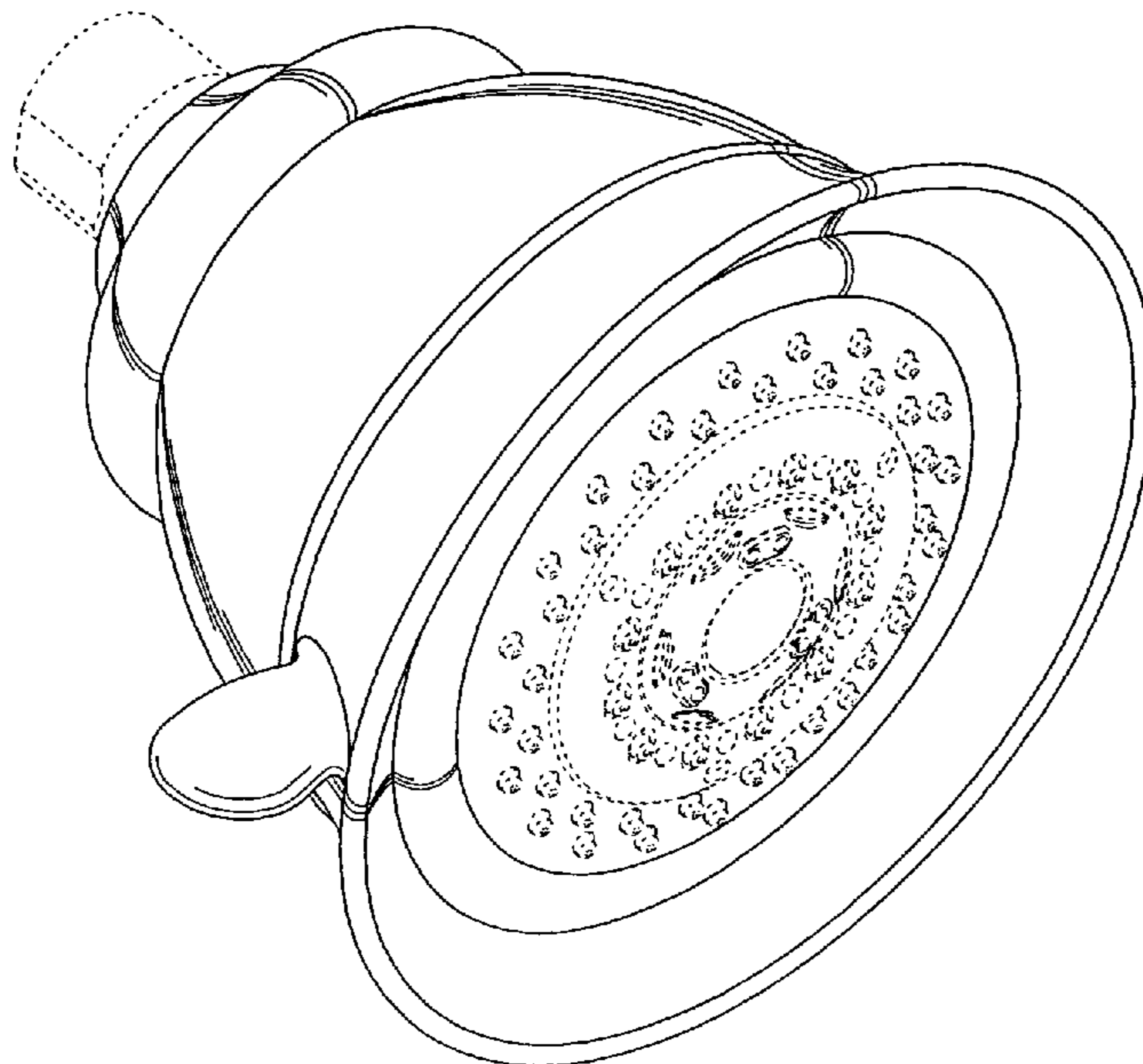
FIG. 5 is a right side elevational view of the showerhead of FIG. 1;

FIG. 6 is a rear elevational view of the showerhead of FIG. 1; and,

FIG. 7 is a front elevational view of the showerhead of FIG. 1.

The portions of the Figures shown in broken lines are not part of the claimed design and are for illustration only.

1 Claim, 4 Drawing Sheets



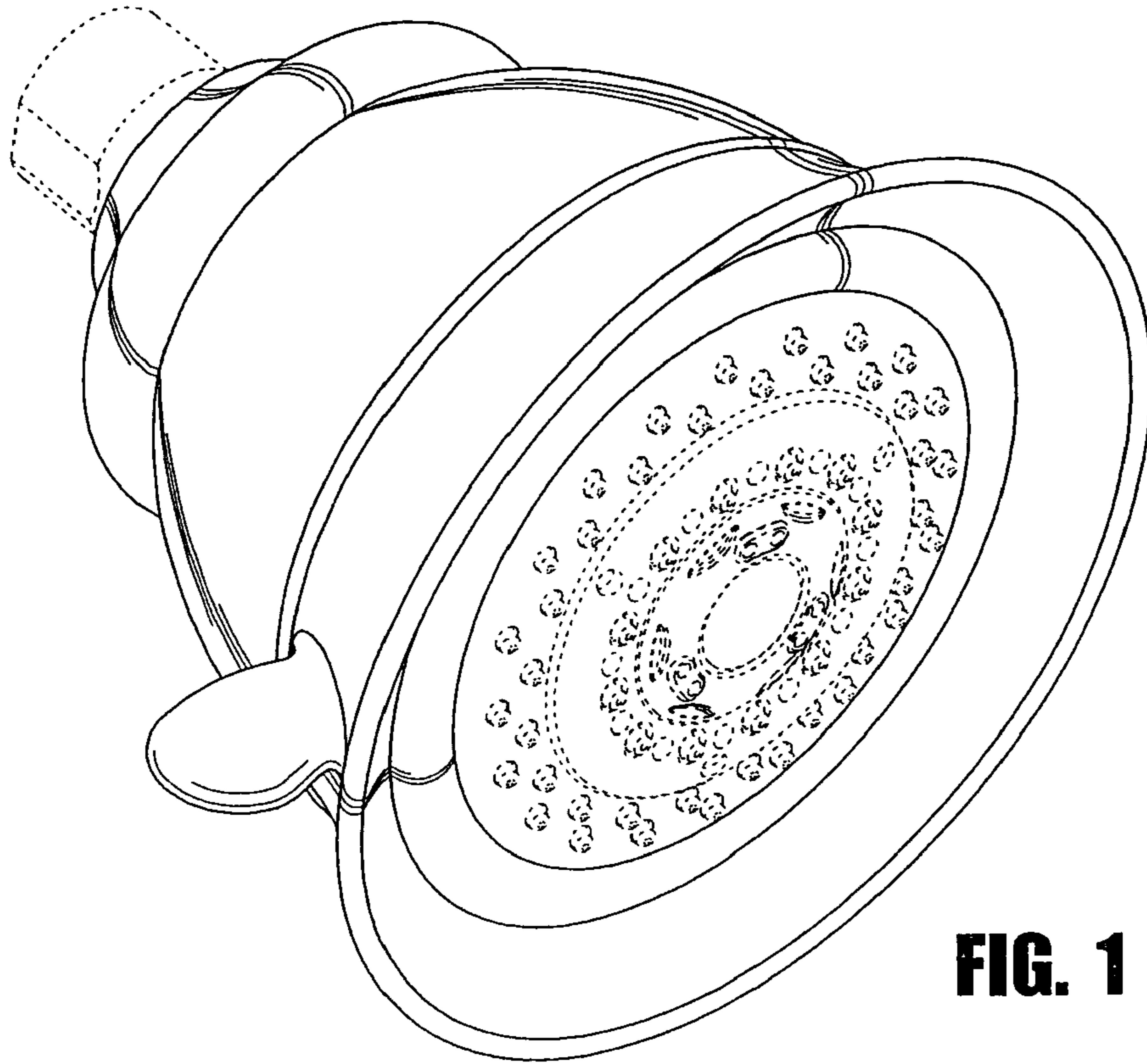


FIG. 1

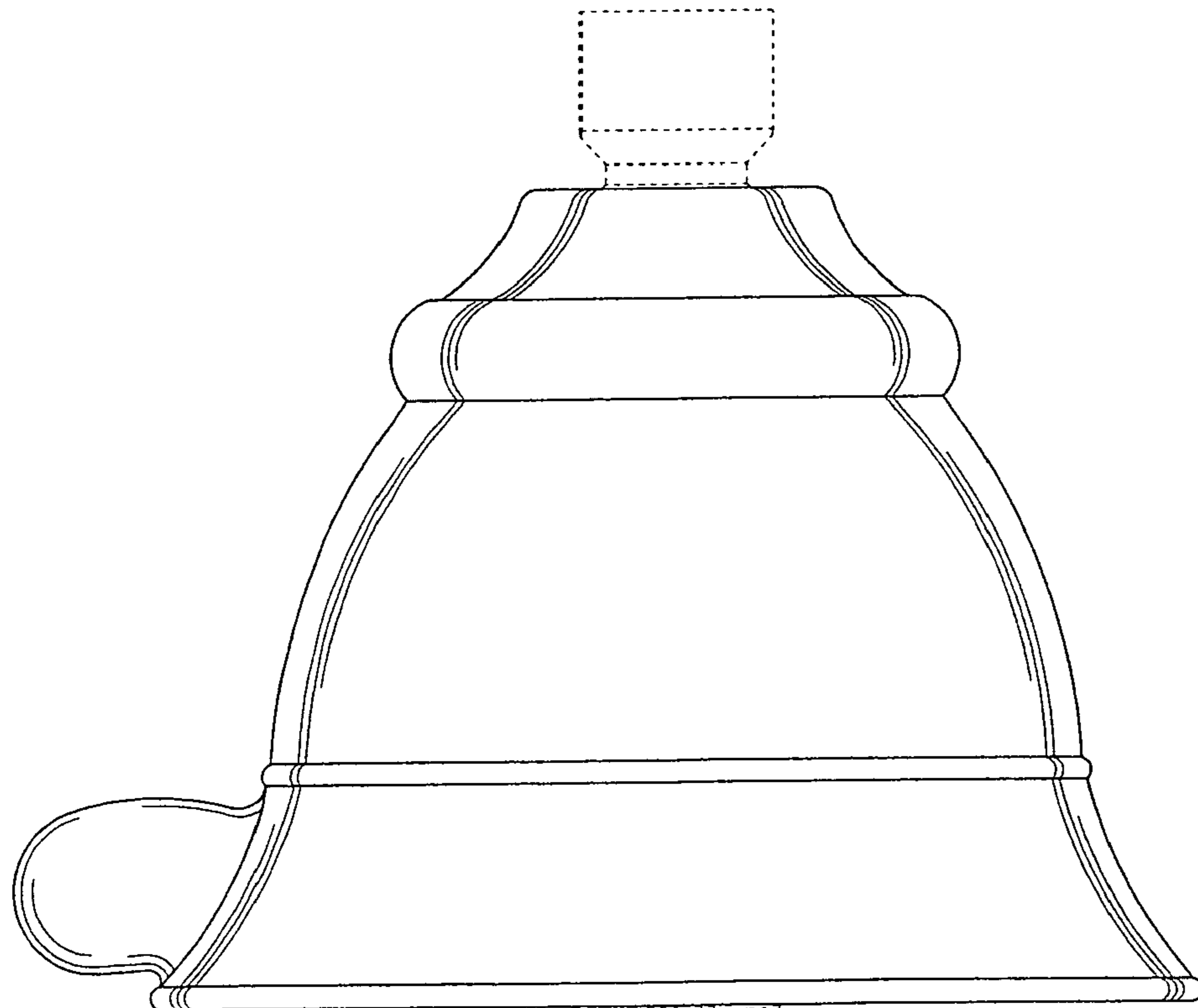


FIG. 2

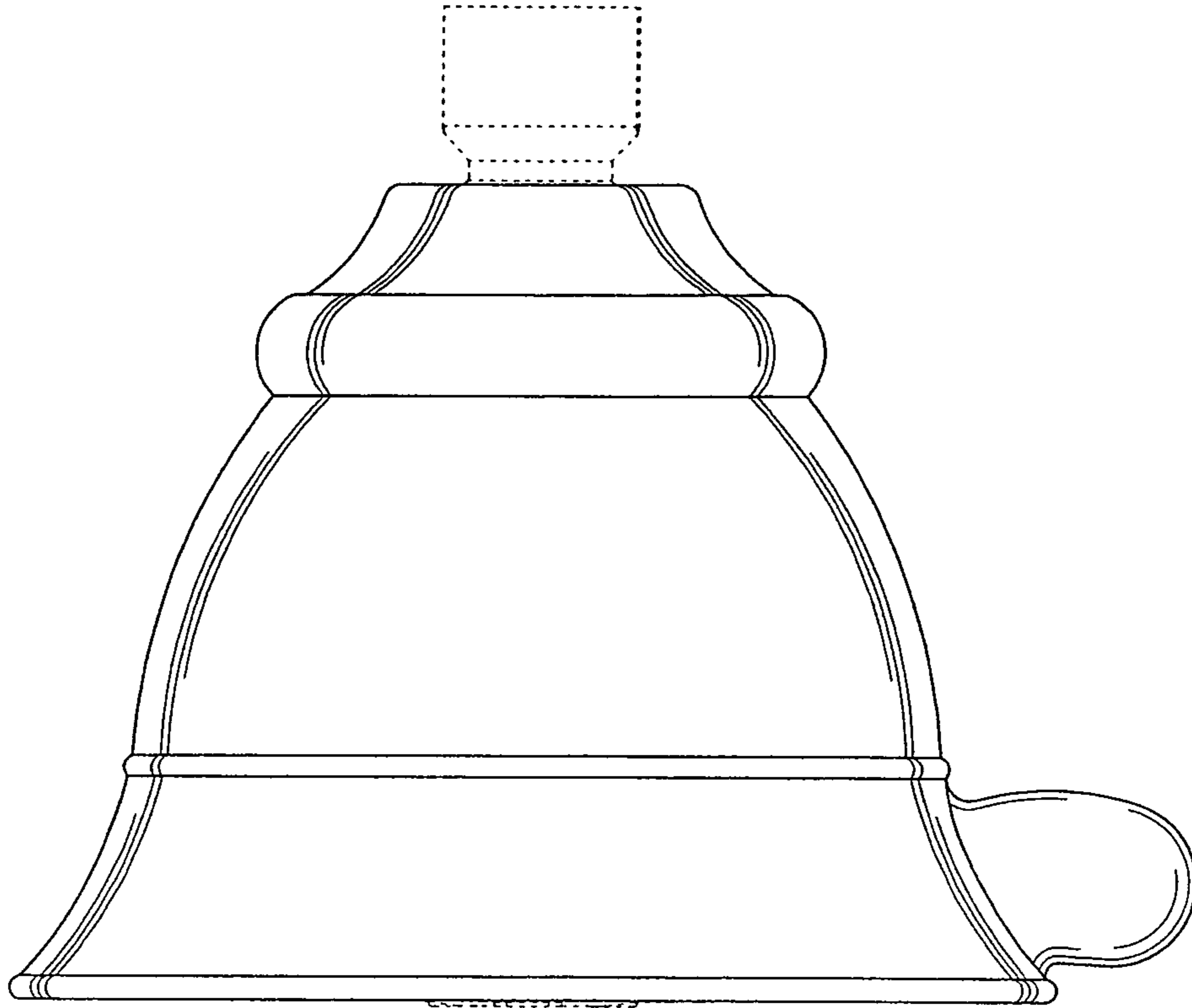


FIG. 3

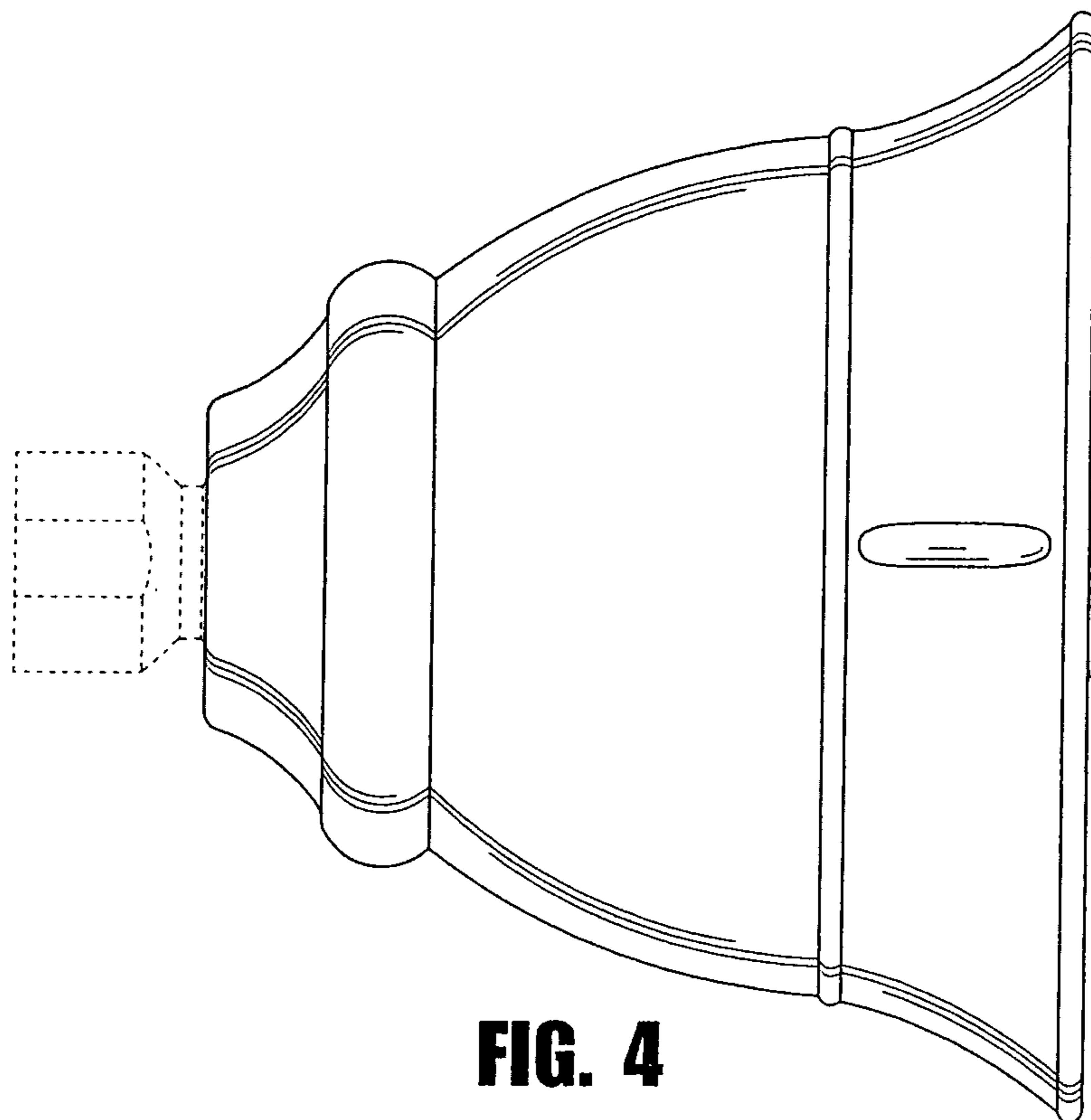
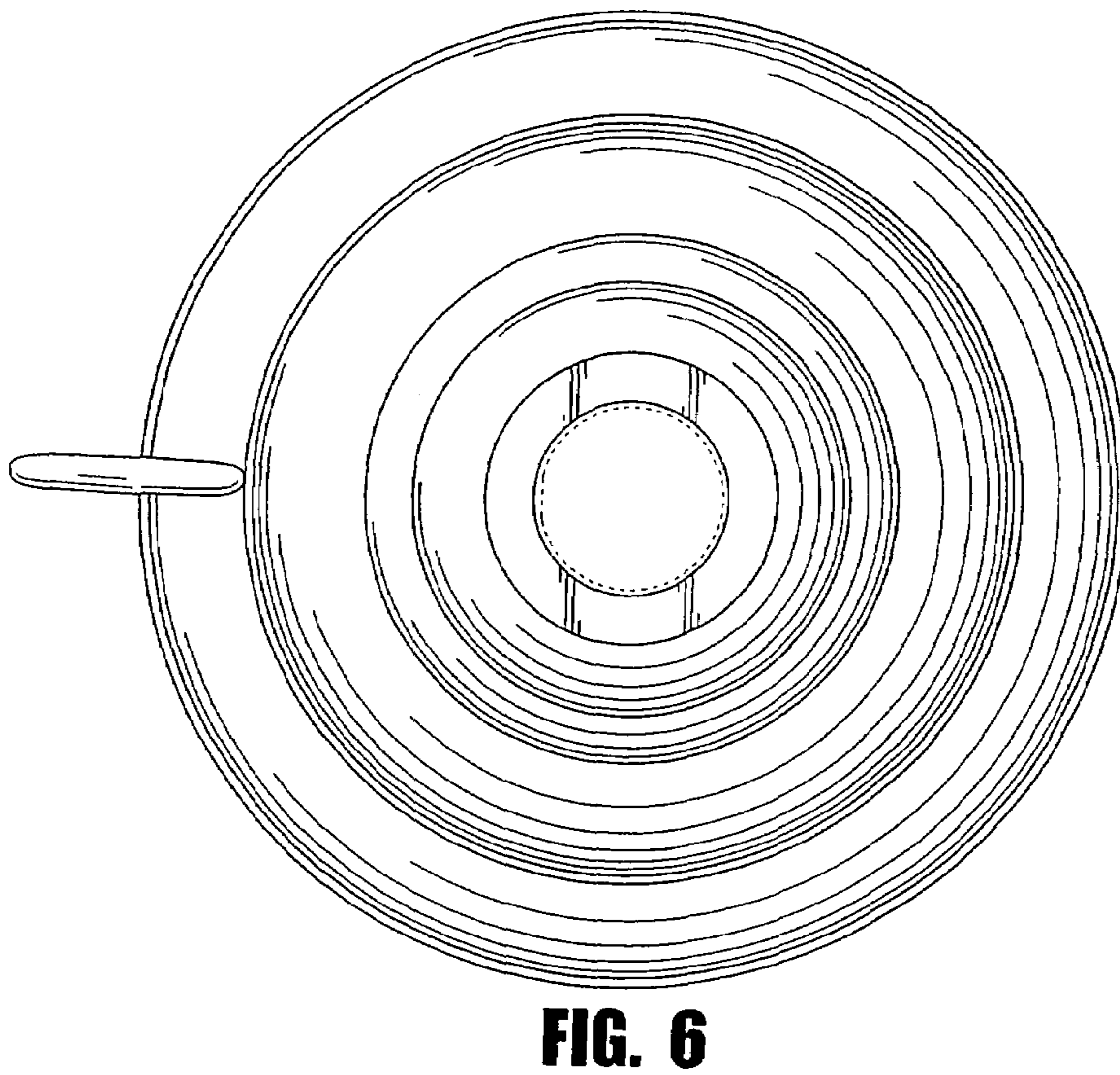
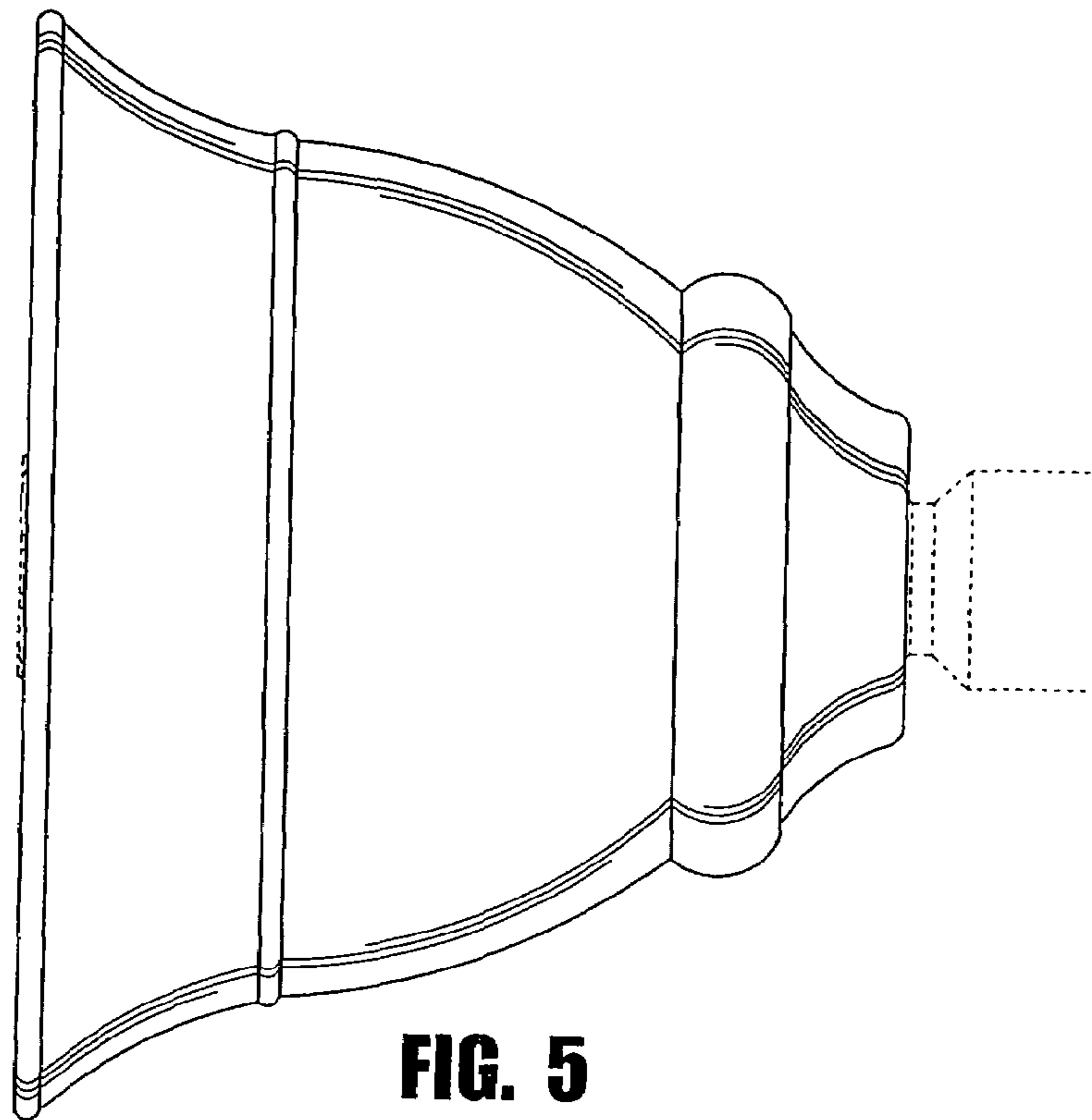


FIG. 4



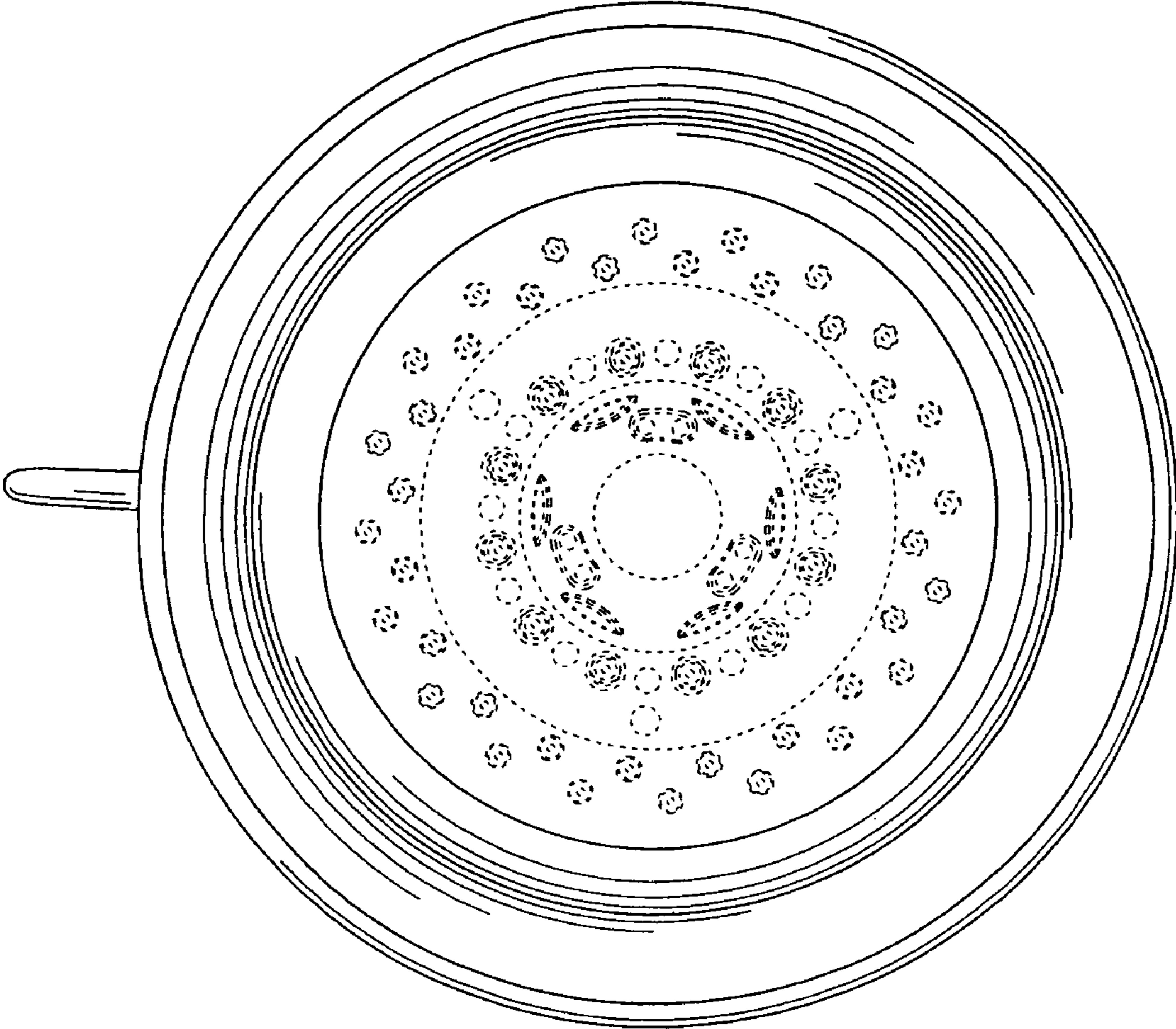


FIG. 7