



US00D544943S

(12) **United States Design Patent**
Walters

(10) **Patent No.:** **US D544,943 S**

(45) **Date of Patent:** **** Jun. 19, 2007**

(54) **LIVEWELL CONTAINMENT SYSTEM**

D333,862 S * 3/1993 Merechka D22/136
6,000,168 A * 12/1999 Demusz et al. 43/65

(76) Inventor: **Peggy A. Walters**, 655 Watershaw Dr.,
Friendsville, TN (US) 37737

* cited by examiner

(**) Term: **14 Years**

Primary Examiner—Catherine R. Oliver
(74) *Attorney, Agent, or Firm*—Luedeka, Neely & Graham
PC

(21) Appl. No.: **29/248,841**

(22) Filed: **Sep. 7, 2006**

(57) **CLAIM**

Related U.S. Application Data

The ornamental design for a livewell containment system, as shown and described.

(63) Continuation-in-part of application No. 29/246,600,
filed on Apr. 26, 2006, now Pat. No. Des. 540,418.

DESCRIPTION

(51) **LOC (8) Cl.** **22-05**

FIG. 1 is a front perspective view of the containment system of my new design, the rear being identical thereto;

(52) **U.S. Cl.** **D22/136**

FIG. 2 is a left side elevation view of the containment system of my new design, the right side being identical thereto;

(58) **Field of Classification Search** D22/136,
D22/134-135, 199; 43/44.9, 54.1, 55, 56,
43/65; D3/260; 206/315.11

FIG. 3 is a front elevation view of the containment system of my new design;

See application file for complete search history.

FIG. 4 is a top plan view of the containment system of my new design; and,

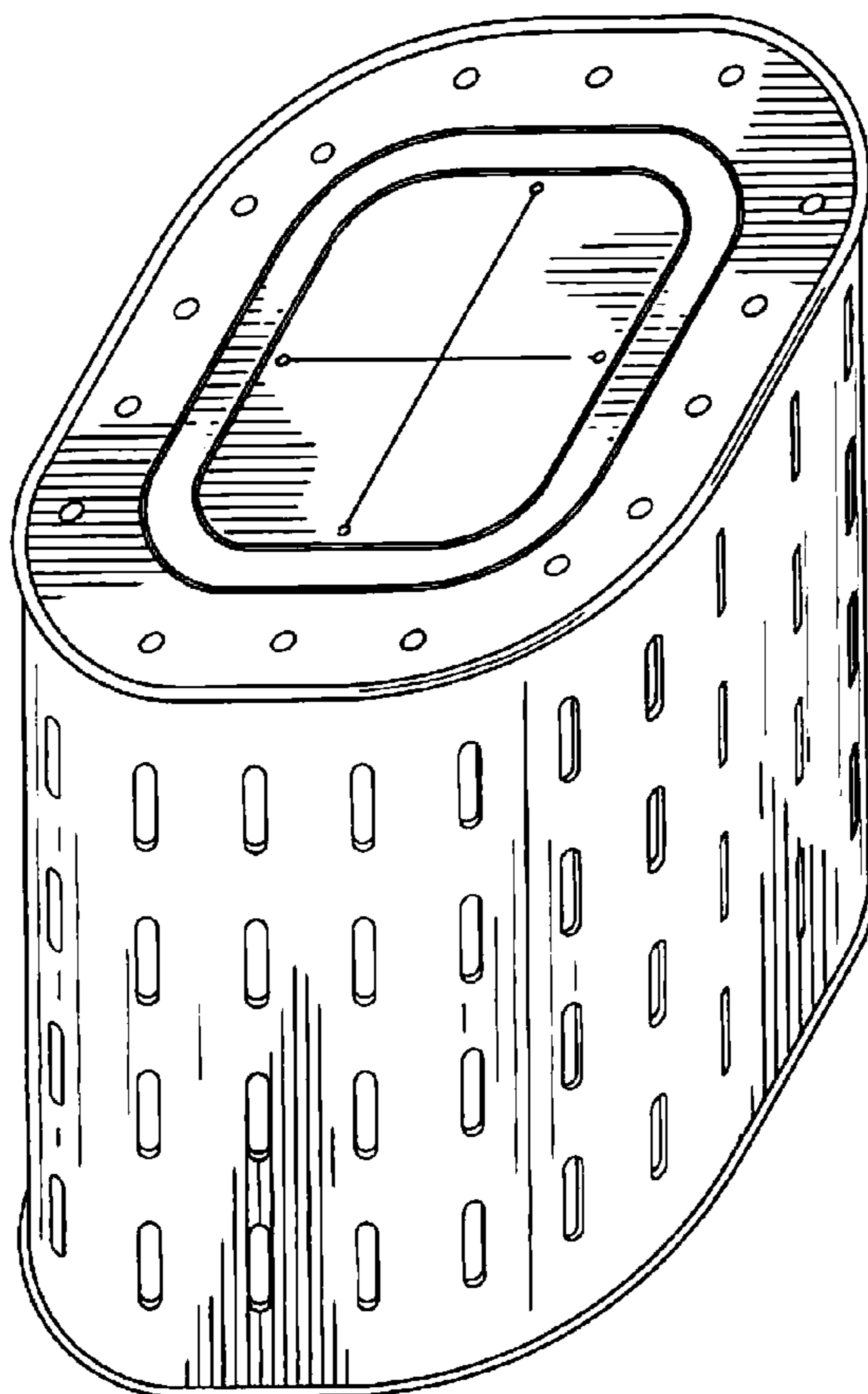
(56) **References Cited**

FIG. 5 is a bottom plan view of the containment system of my new design.

U.S. PATENT DOCUMENTS

2,780,887 A * 2/1957 Cabaniss 43/55
4,829,705 A * 5/1989 Dorsey 43/44.99
D323,698 S * 2/1992 Nelson et al. D22/136

1 Claim, 3 Drawing Sheets



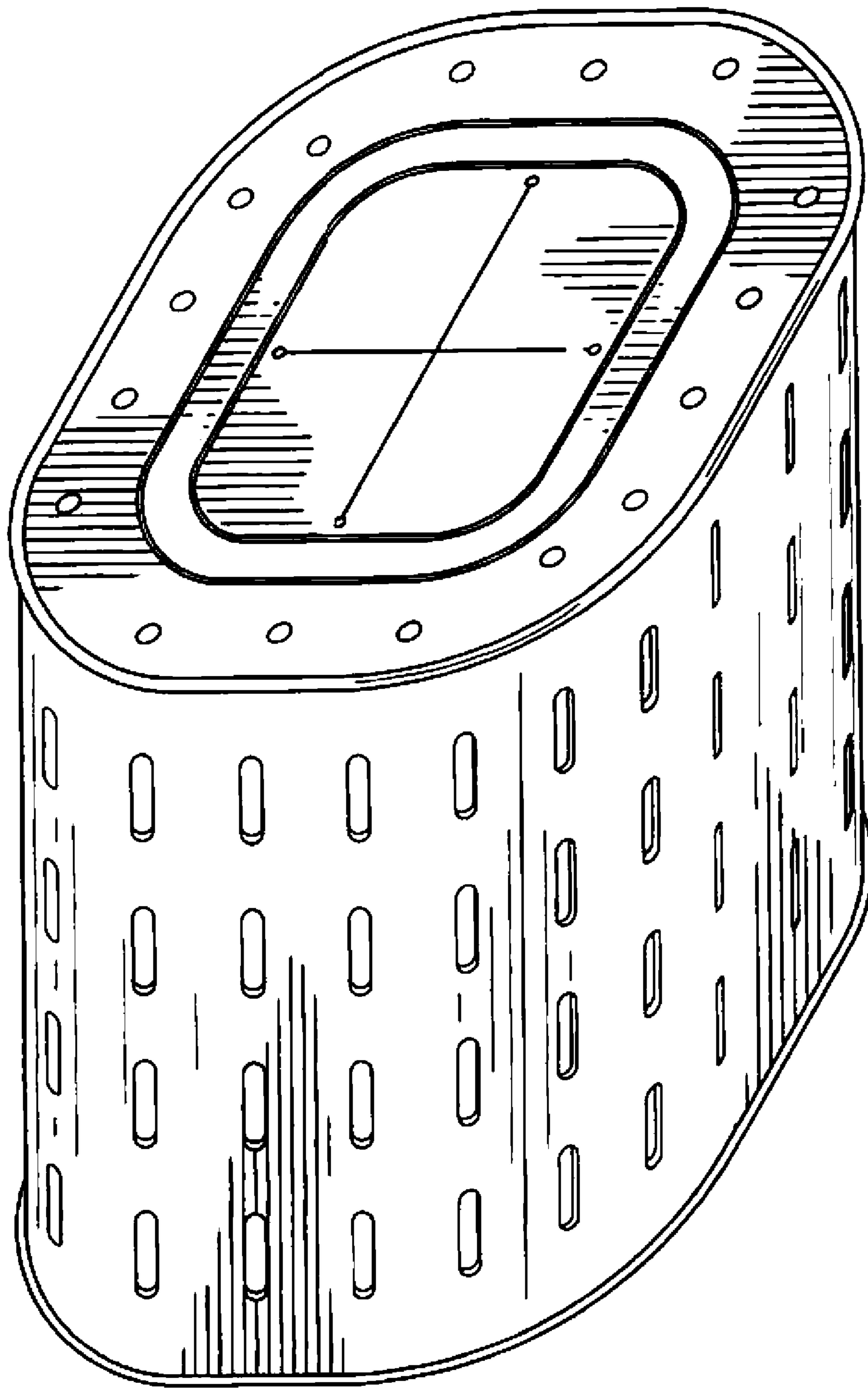


FIG. 1

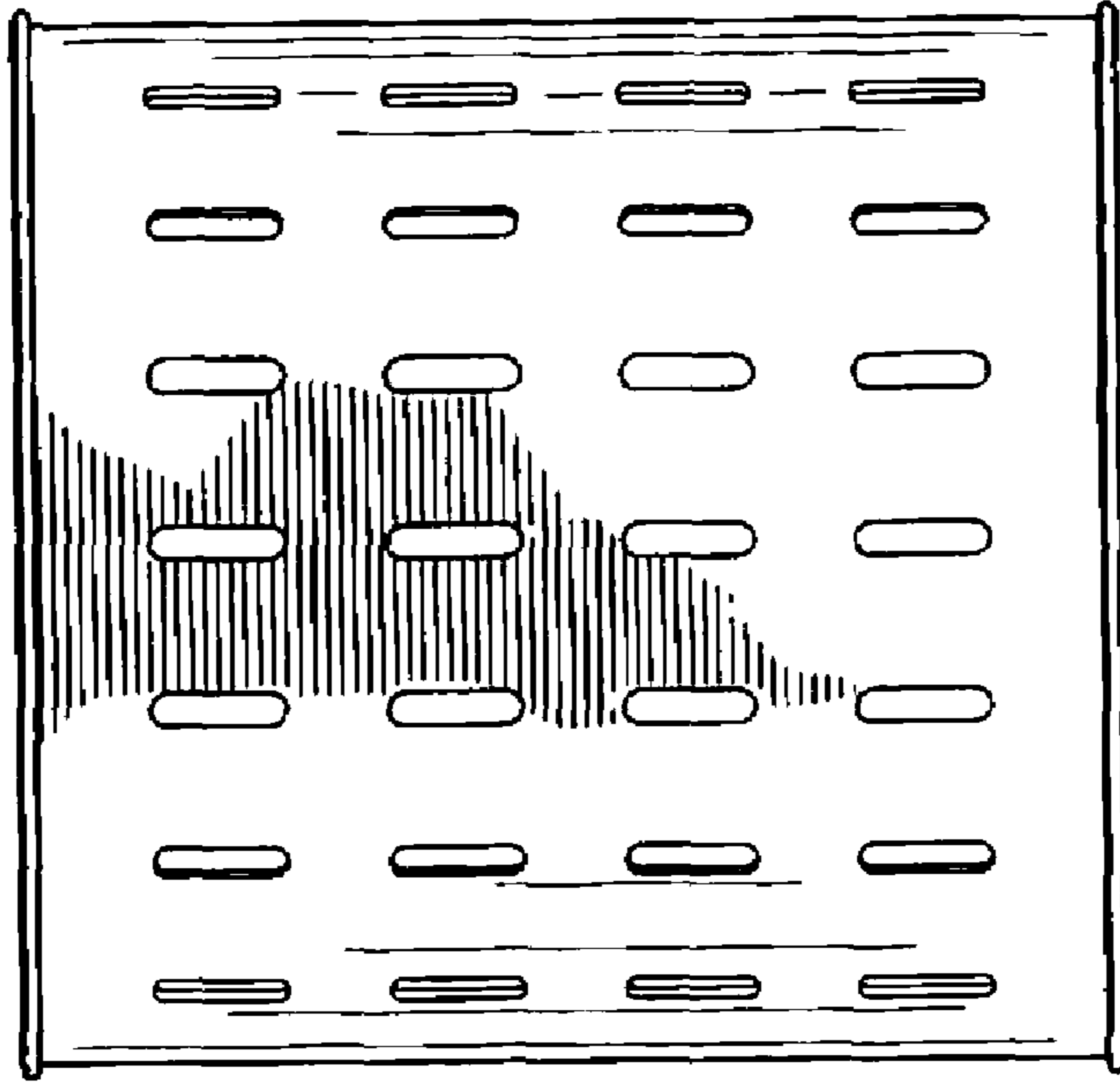


FIG. 3

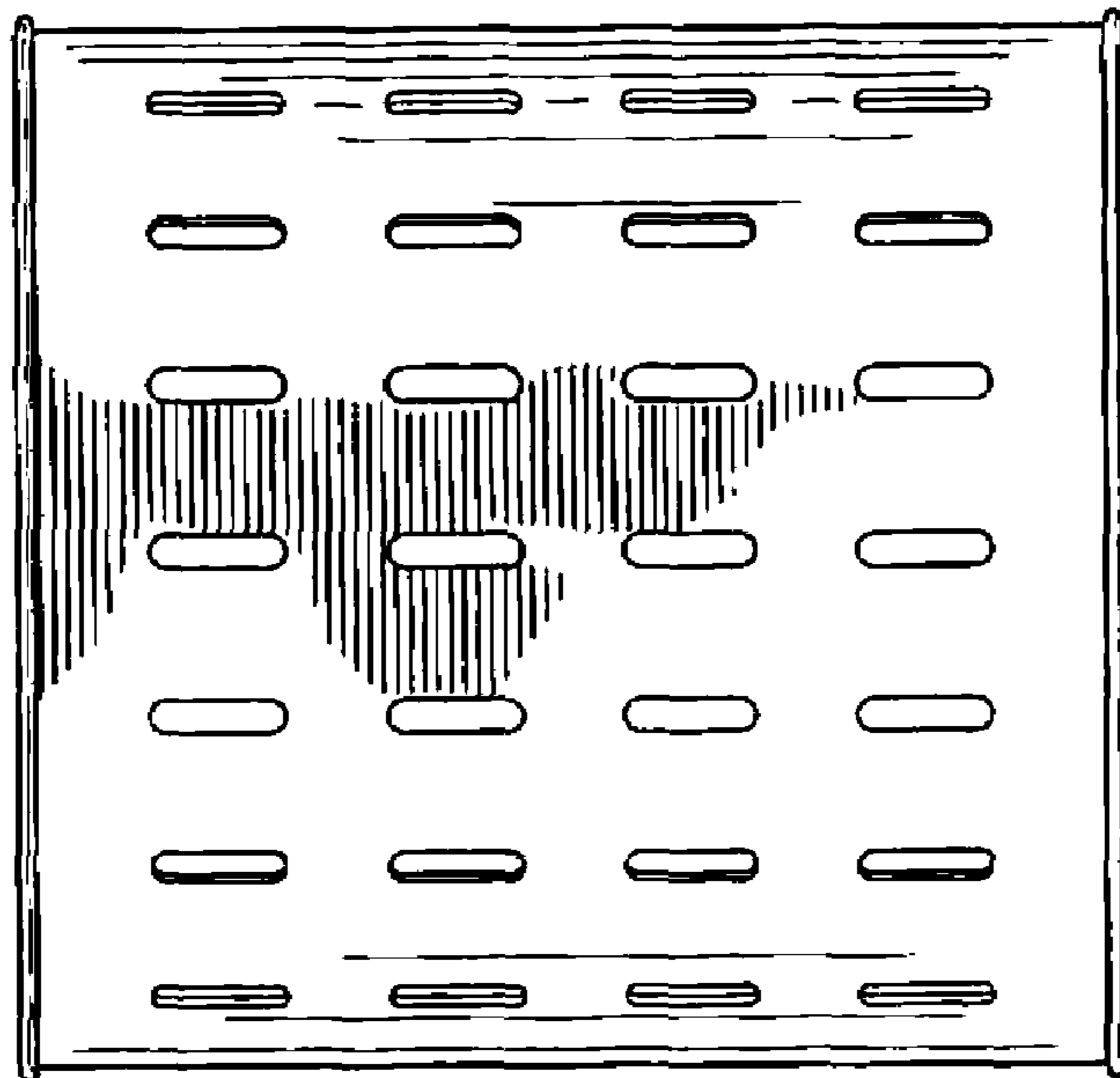


FIG. 2

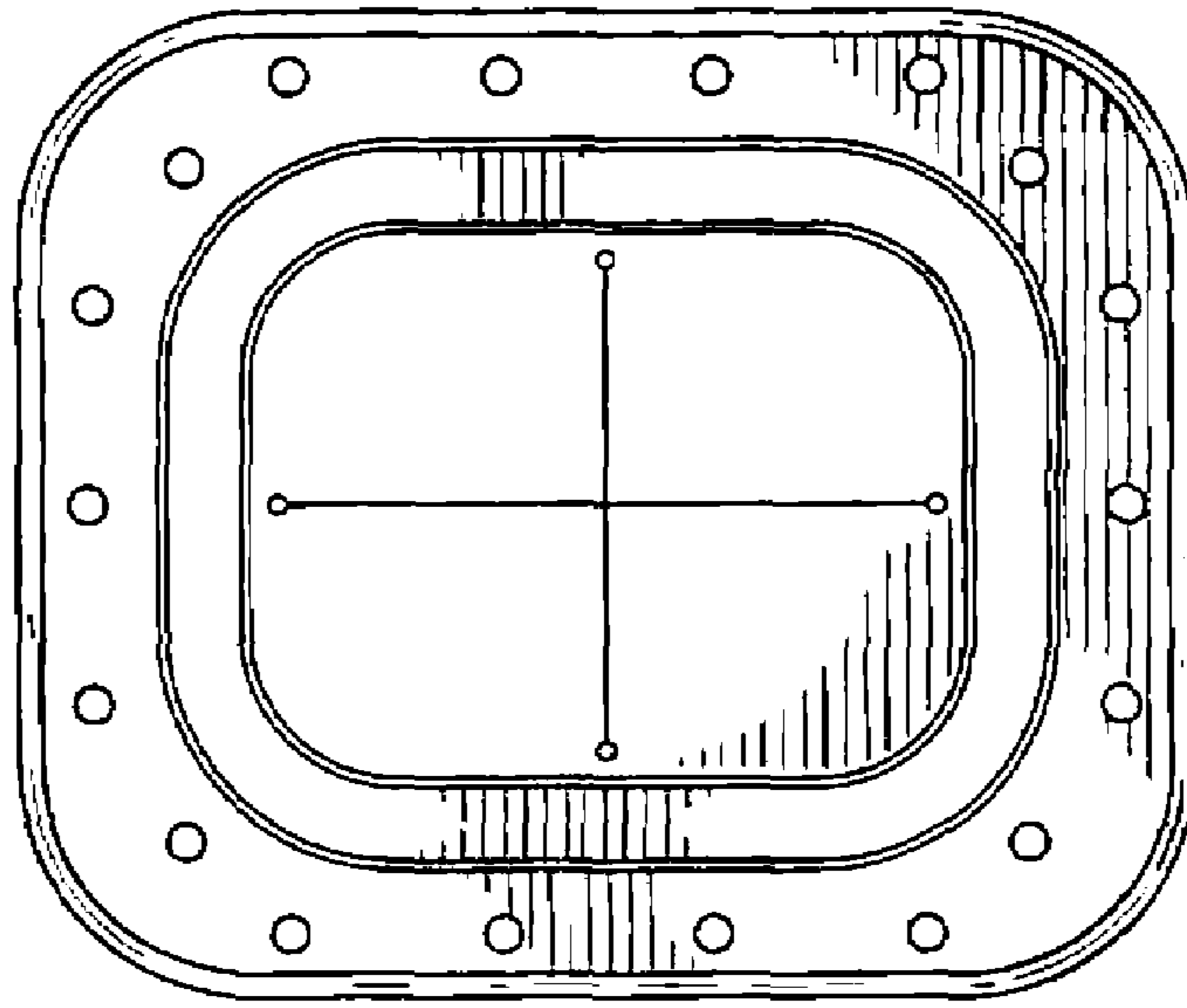


FIG. 4

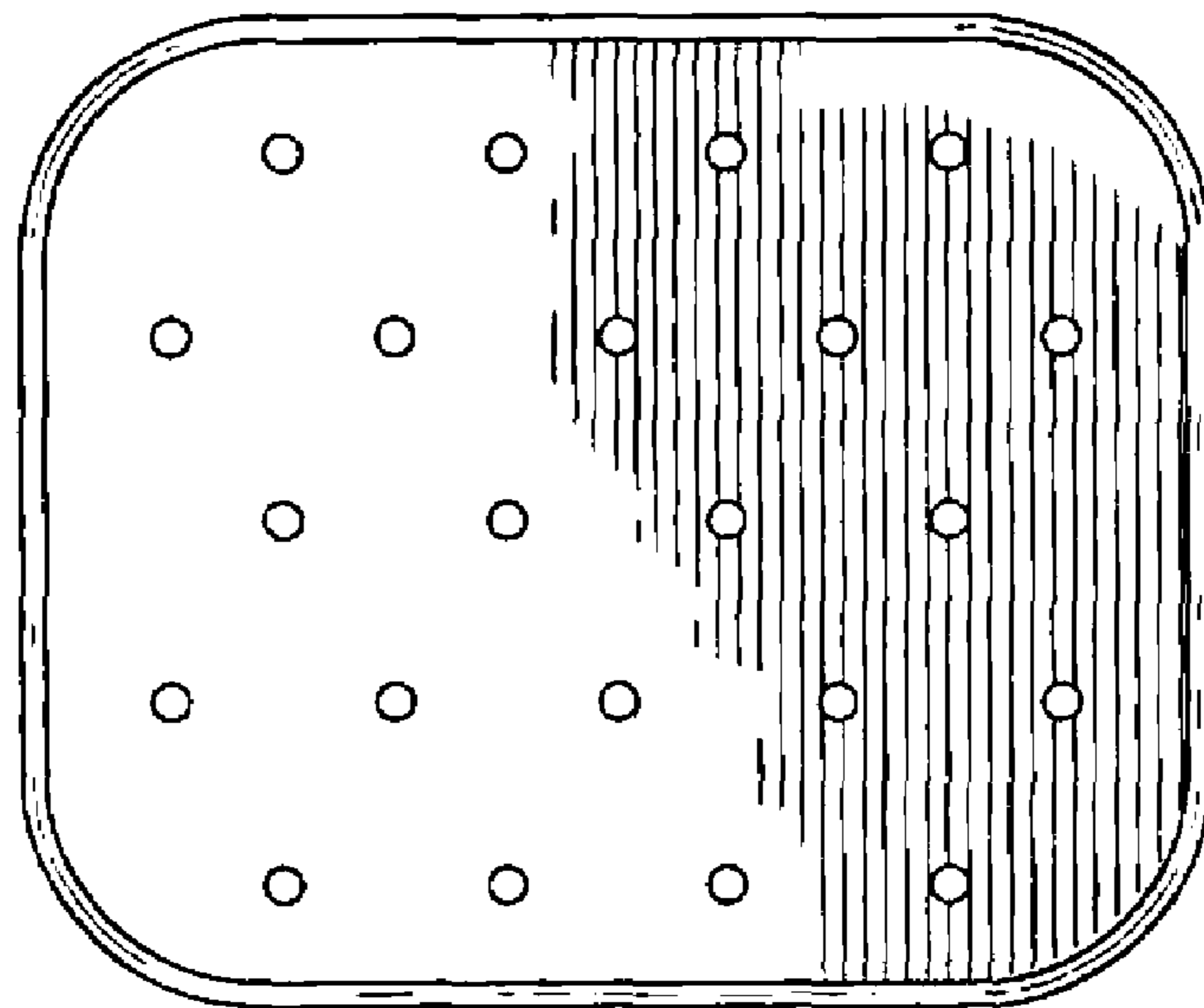


FIG. 5