

US00D544942S

(12) **United States Design Patent**  
**Chen**

(10) **Patent No.:** **US D544,942 S**

(45) **Date of Patent:** **\*\* Jun. 19, 2007**

(54) **SOLAR POWERED INSECT  
EXTERMINATOR**

D293,014 S \* 12/1987 Davis ..... D22/123  
D335,910 S \* 5/1993 Cheshire, Jr. .... D22/123  
D370,313 S \* 5/1996 Nottingham et al. .... D30/111

(76) Inventor: **Chi Gon Chen**, c/o International  
Development Corporation 2890 Market  
Loop, Southlake, TX (US) 76092

\* cited by examiner

*Primary Examiner*—Catherine R. Oliver

(\*\*) Term: **14 Years**

(57) **CLAIM**

(21) Appl. No.: **29/256,765**

The ornamental design for a solar powered insect exterminator, as shown and described.

(22) Filed: **Mar. 23, 2006**

**DESCRIPTION**

(51) **LOC (8) Cl.** ..... **22-06**

(52) **U.S. Cl.** ..... **D22/123**

(58) **Field of Classification Search** ..... D22/119–125;  
43/107, 112–113, 124, 131; D26/37  
See application file for complete search history.

FIG. 1 is a front elevational view of the solar powered insect exterminator;

FIG. 2 is a rear elevational view;

FIG. 3 is a top view; and,

FIG. 4 is a bottom view.

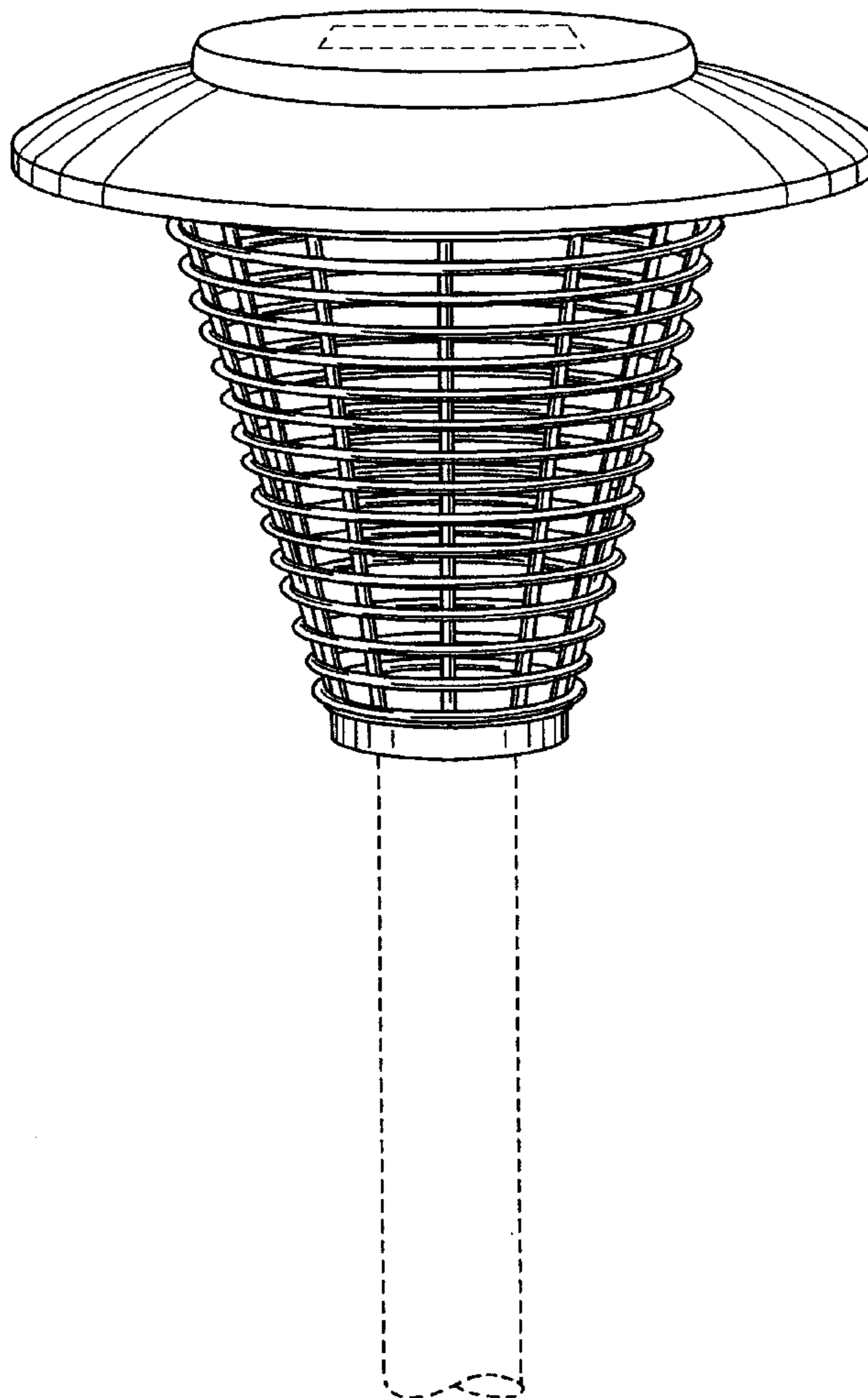
The broken line showing of environment in the drawings is included for the purpose of illustrating only and forms no part of the claimed design.

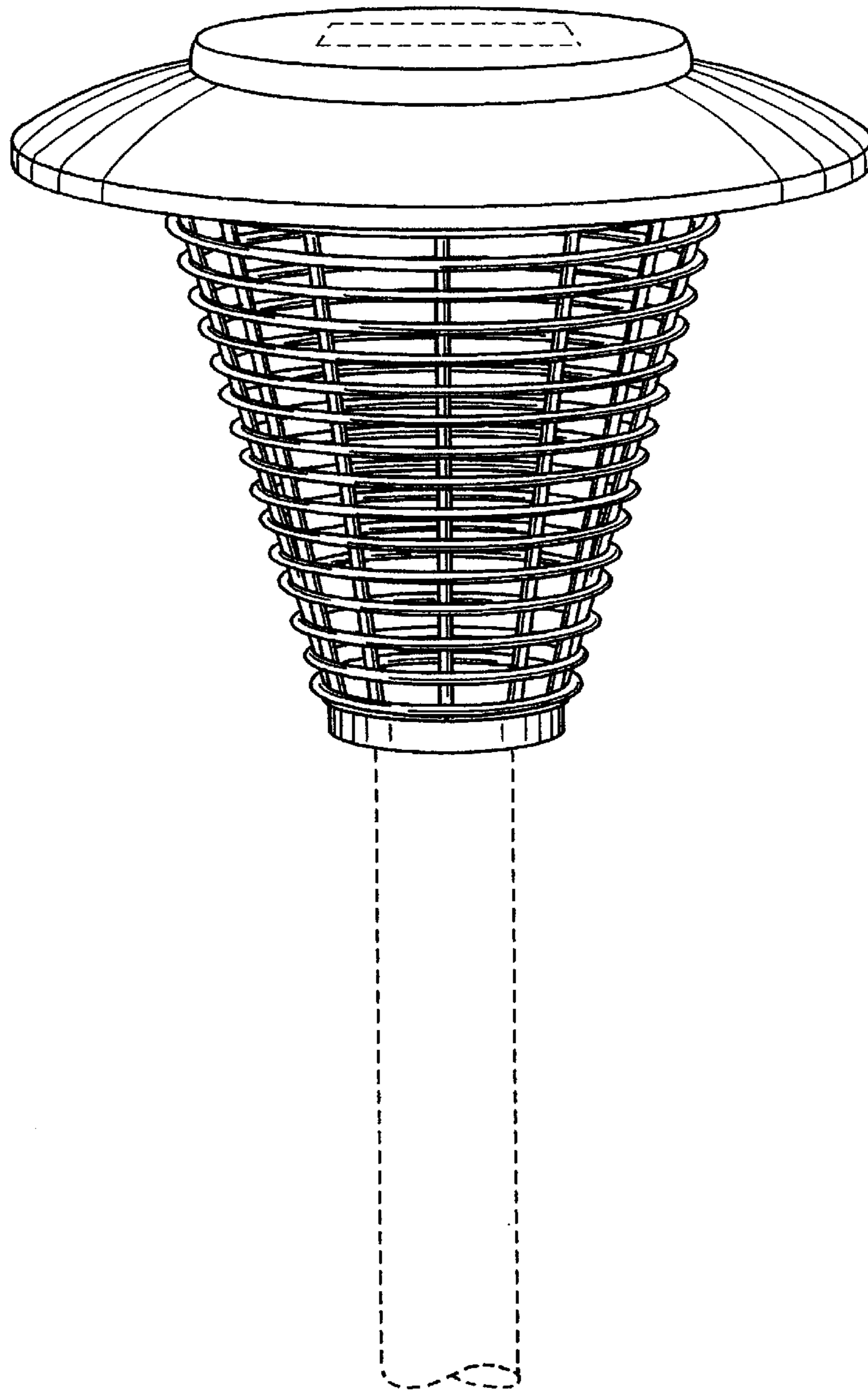
(56) **References Cited**

**U.S. PATENT DOCUMENTS**

D217,086 S \* 4/1970 Miller ..... D22/123  
D291,226 S \* 8/1987 Wan ..... D22/123

**1 Claim, 3 Drawing Sheets**





*Fig. 1*

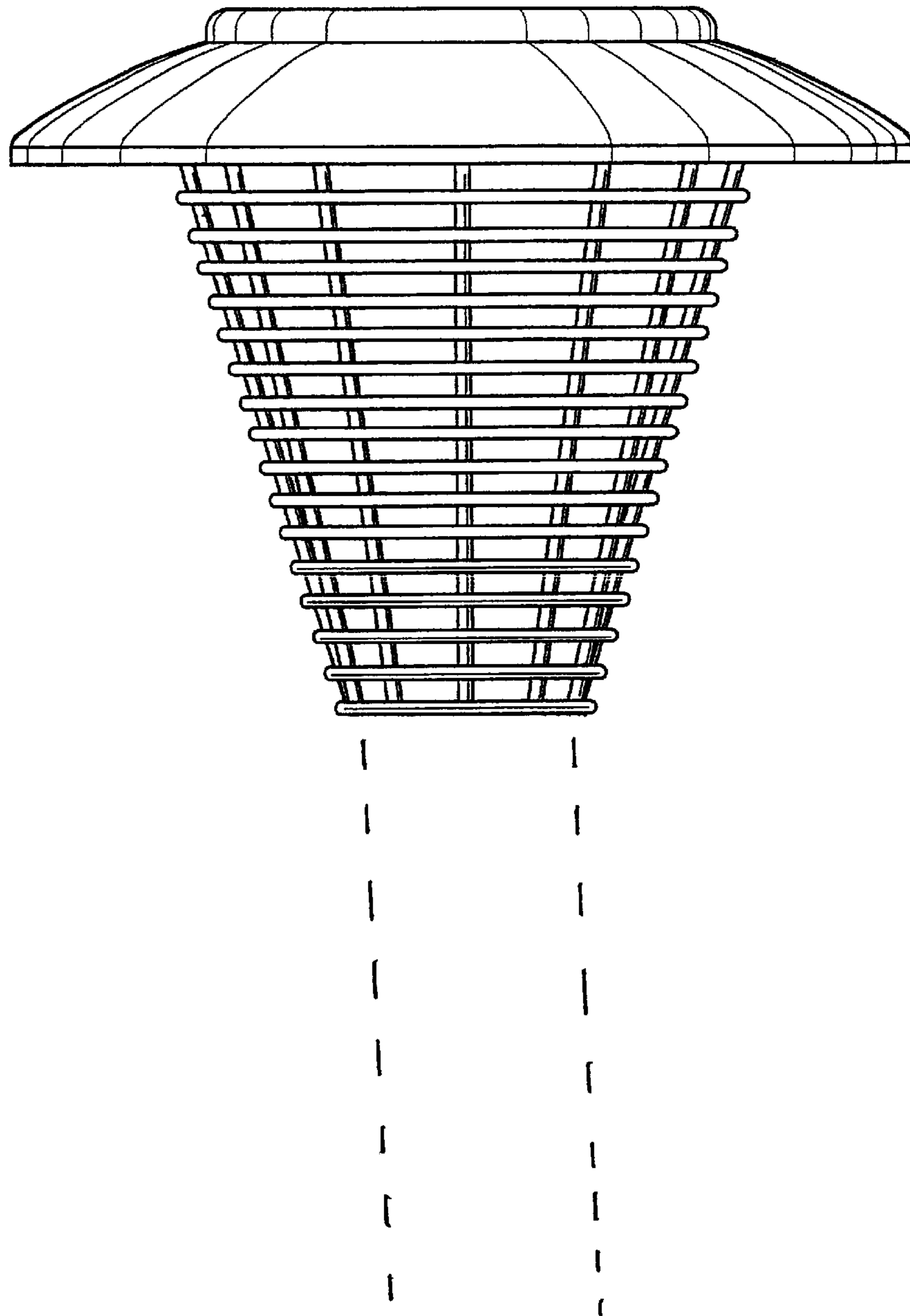
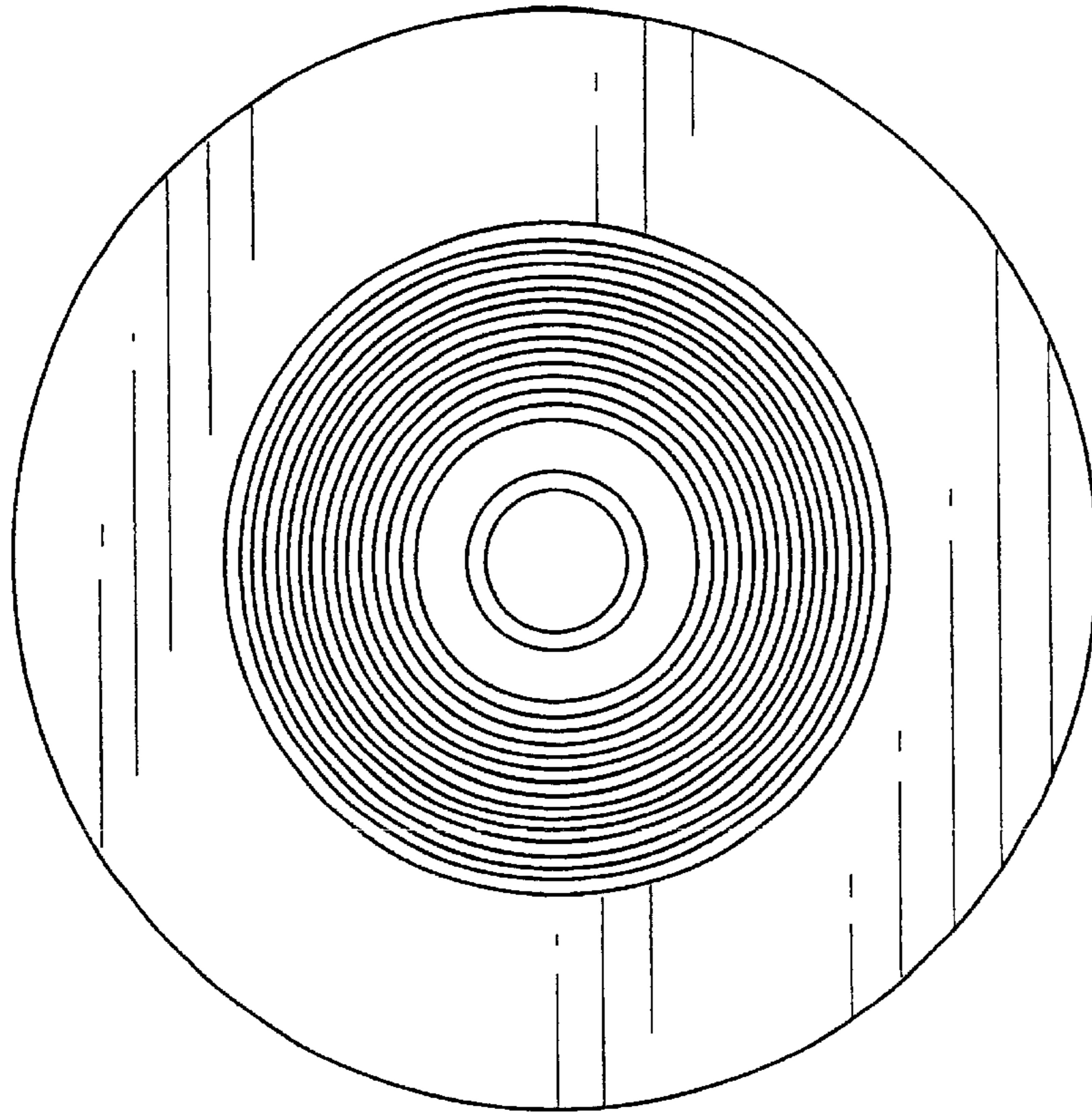
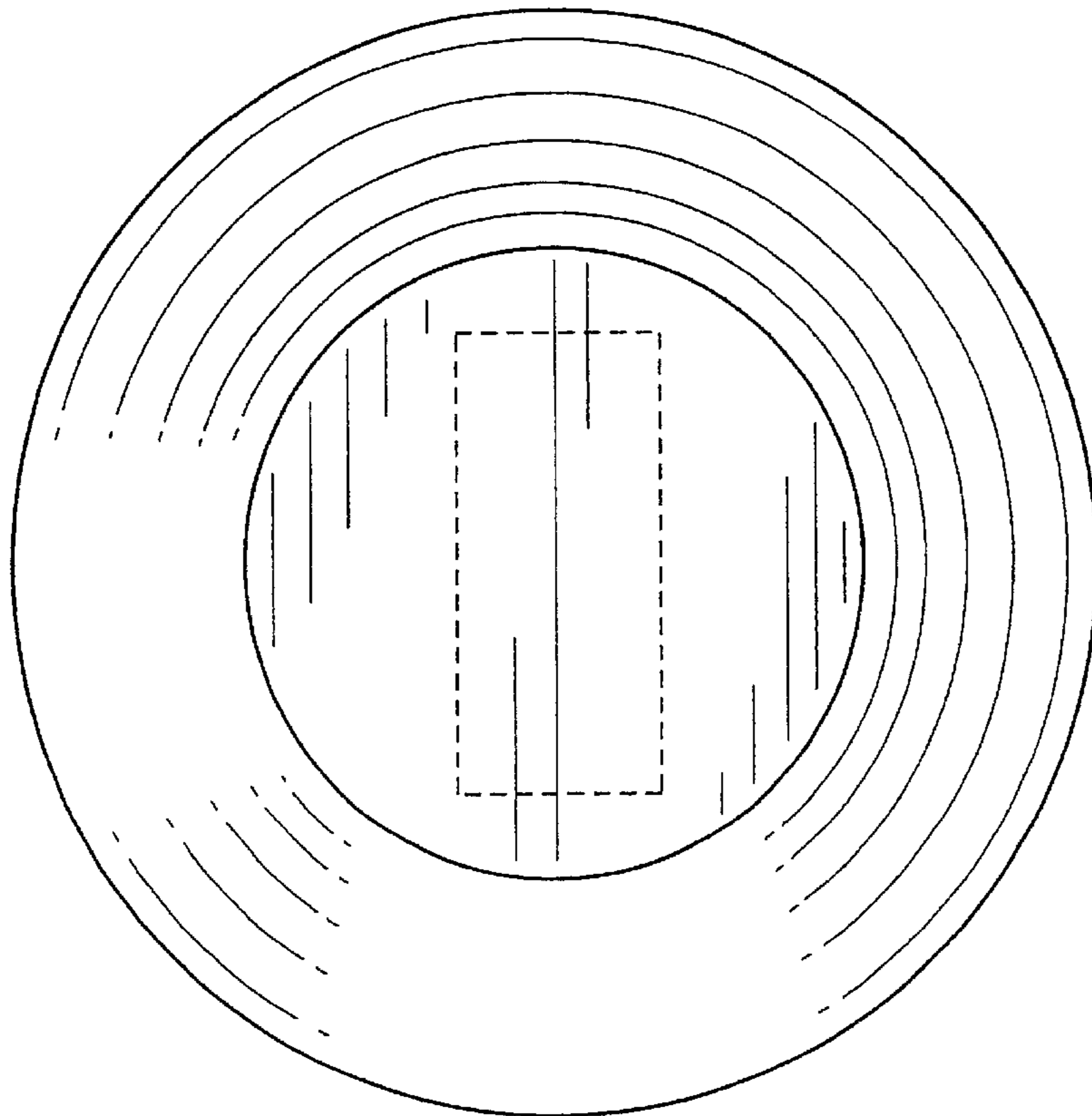


Fig. 2



*Fig. 4*



*Fig. 3*