



US00D544941S

(12) **United States Design Patent** (10) **Patent No.:** **US D544,941 S**  
**Rogers** (45) **Date of Patent:** **\*\* Jun. 19, 2007**

(54) **COLLAPSIBLE STRUCTURE**

2005/0224107 A1\* 10/2005 Yang ..... 135/135

(76) **Inventor:** **Thomas Edward Rogers**, 9 Pebble Beach Close, White River Country Estate, White River (ZA)

**FOREIGN PATENT DOCUMENTS**

GB 2 136 845 A 9/1984  
WO WO 95/12045 A1 5/1995  
ZA 98/0326 9/1999

(\*\*) **Term:** **14 Years**

\* cited by examiner

(21) **Appl. No.:** **29/220,613**

*Primary Examiner*—Holly H. Baynham

*Assistant Examiner*—Cynthia M. Chin

(22) **Filed:** **Jan. 5, 2005**

(74) *Attorney, Agent, or Firm*—Birch, Stewart, Kolasch & Birch, LLP

(30) **Foreign Application Priority Data**

Jul. 5, 2004 (ZA) ..... A2004/0832

(57) **CLAIM**

(51) **LOC (8) Cl.** ..... **21-04**

The ornamental design for a collapsible structure, as shown and described.

(52) **U.S. Cl.** ..... **D21/839**

(58) **Field of Classification Search** ..... D21/834–839;  
D25/13, 16–20, 26, 56; 135/87, 100, 121,  
135/124–126, 128, 135, 136, 143, 156; 446/478,  
446/487

**DESCRIPTION**

See application file for complete search history.

FIG. 1 is an elevational view of a collapsible structure in a fully collapsed configuration showing my new design;

FIG. 2 is a reduced perspective view in a partially collapsed configuration thereof;

(56) **References Cited**

**U.S. PATENT DOCUMENTS**

1,264,078 A \* 4/1918 Jaureguy ..... 135/126  
RE16,037 E 3/1925 Berg  
4,074,682 A 2/1978 Yoon  
4,491,141 A \* 1/1985 Eppenbach ..... 135/125  
4,637,748 A \* 1/1987 Beavers ..... 403/170  
D300,052 S \* 2/1989 Maloney, II ..... D21/838  
5,067,505 A \* 11/1991 Cantwell et al. .... 135/125  
5,307,829 A \* 5/1994 Dalo et al. .... 135/128  
5,632,293 A \* 5/1997 Carter ..... 135/145  
5,797,695 A 8/1998 Prusmack  
D403,041 S \* 12/1998 Funk ..... D21/834  
5,884,646 A \* 3/1999 Ju ..... 135/135  
6,216,717 B1 \* 4/2001 Chen ..... 135/130  
6,230,728 B1 \* 5/2001 Reese ..... 135/98  
6,237,616 B1 \* 5/2001 You ..... 135/33.7  
D470,559 S \* 2/2003 Funk et al. .... D21/834  
2002/0020439 A1 \* 2/2002 Tate ..... 135/124  
2004/0103935 A1 \* 6/2004 Porter ..... 135/124

FIG. 3 is a further reduced perspective view in another partially collapsed configuration thereof;

FIG. 4 is a further reduced perspective view in an erected configuration thereof;

FIG. 5 is an enlarged partial perspective view of the apex of the collapsible structure shown in the partially collapsed configuration of FIG. 3;

FIG. 6 is an enlarged partial perspective view from beneath the apex of the collapsible structure shown in the erected configuration of FIG. 4;

FIG. 7 is an enlarged partial perspective view of a hinge of the collapsible structure shown in the partially collapsed configuration of FIG. 3; and,

FIG. 8 is an enlarged partial perspective view of a hinge of the collapsible structure shown in the erected configuration of FIG. 4.

**1 Claim, 8 Drawing Sheets**



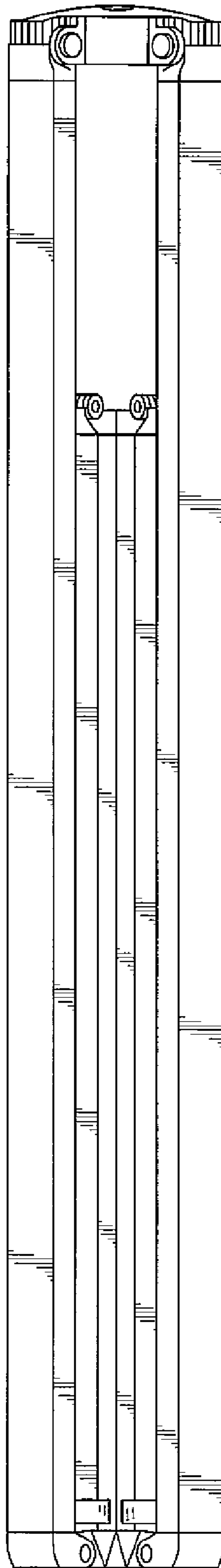


FIG. 1

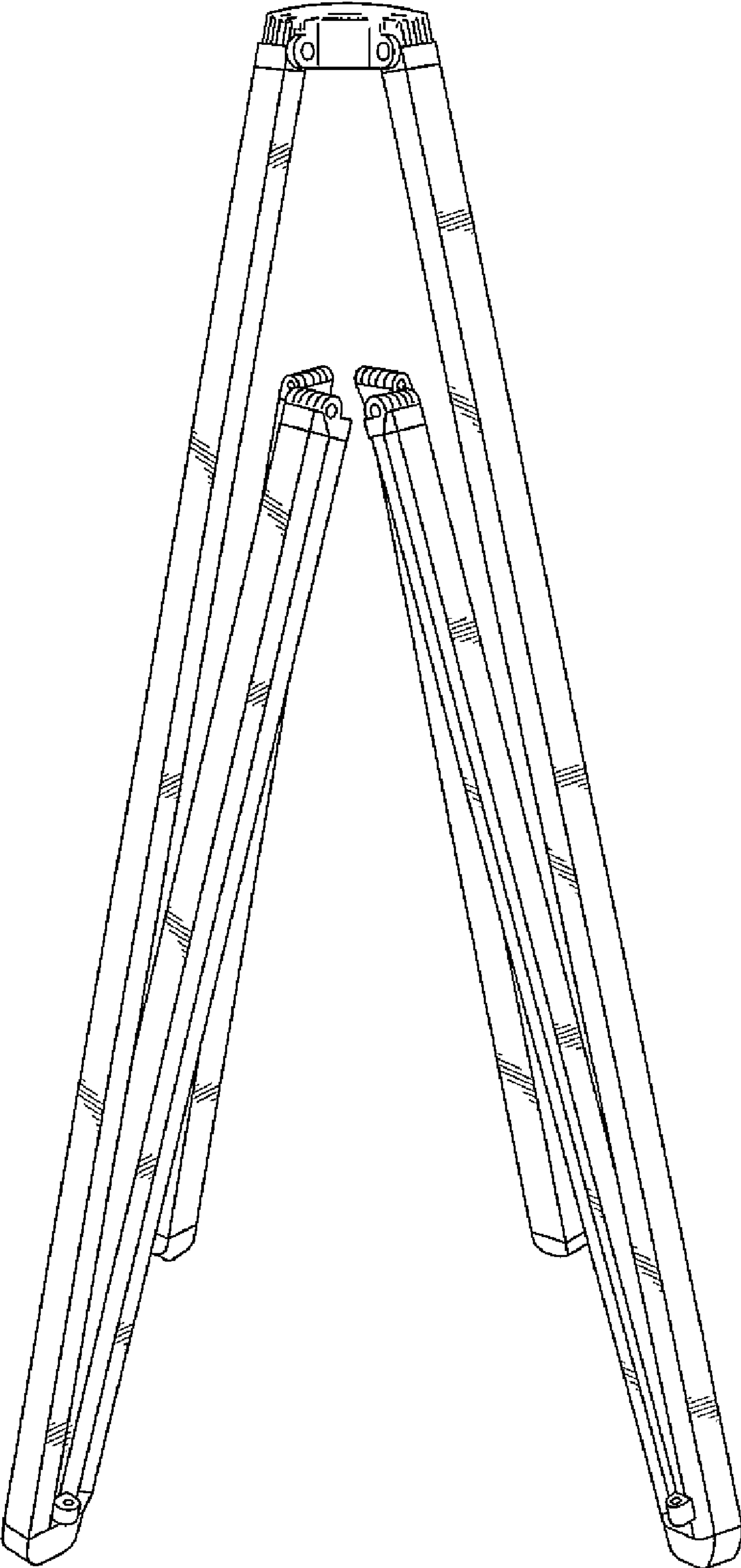


FIG.2

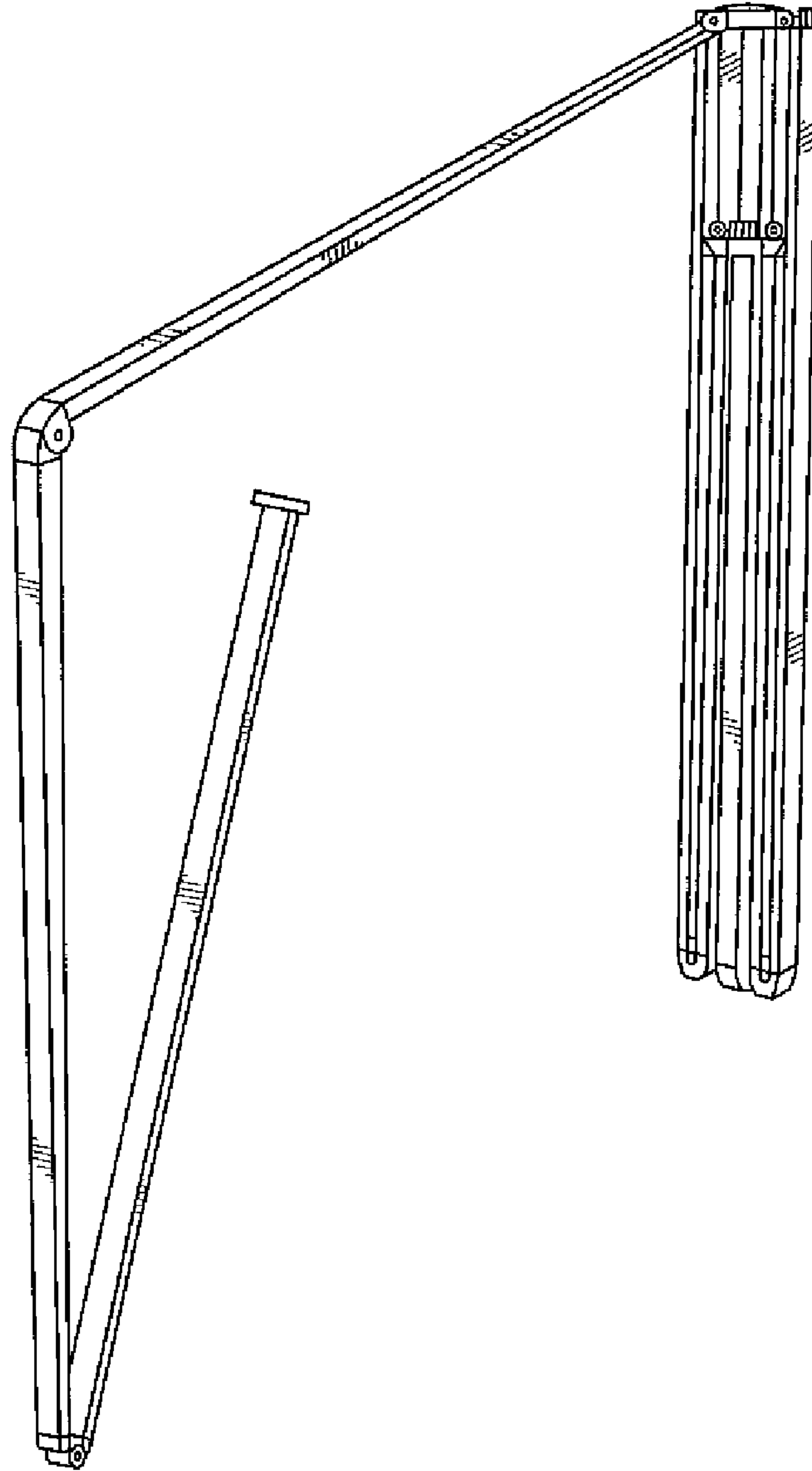


FIG.3

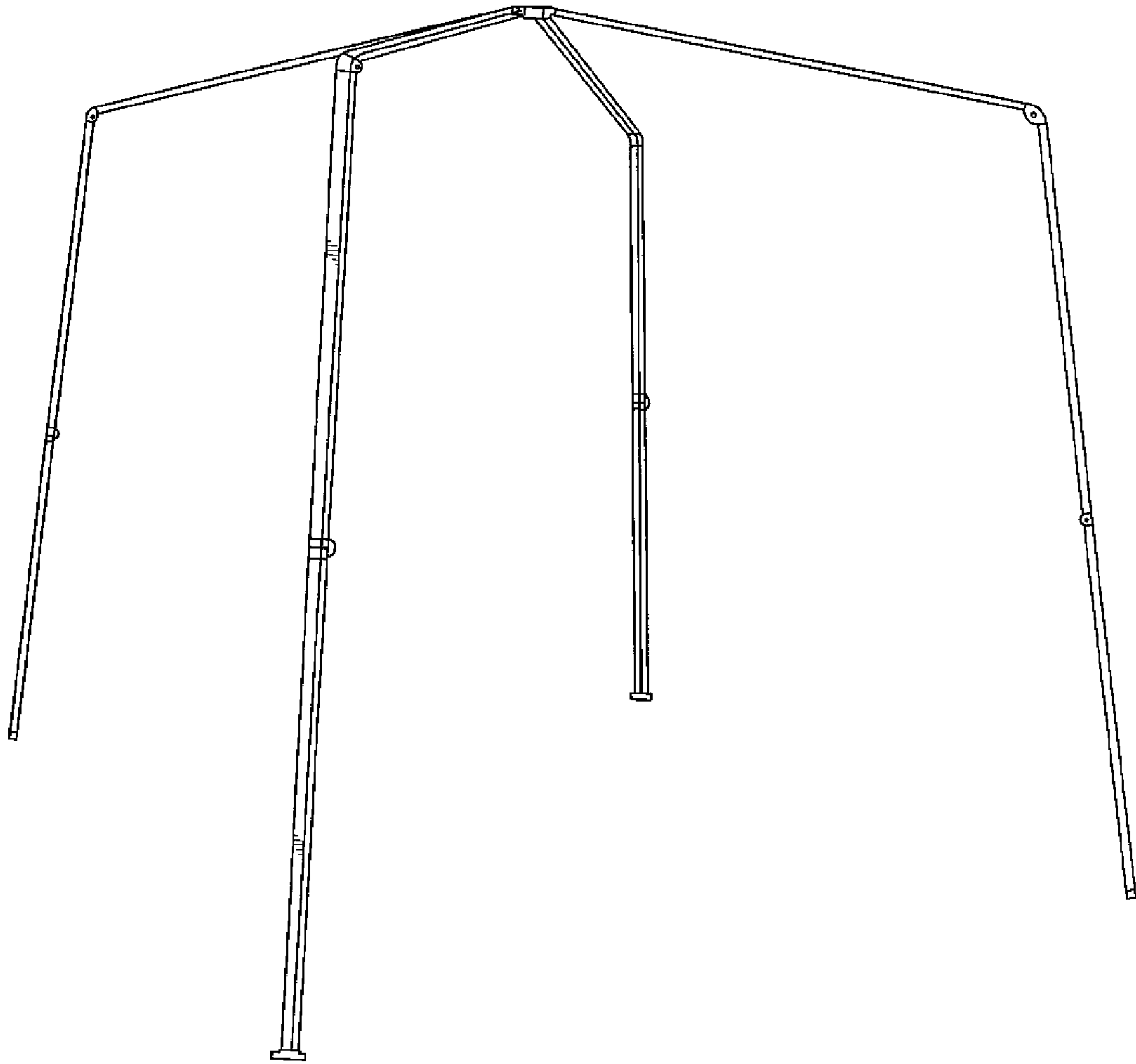


FIG.4

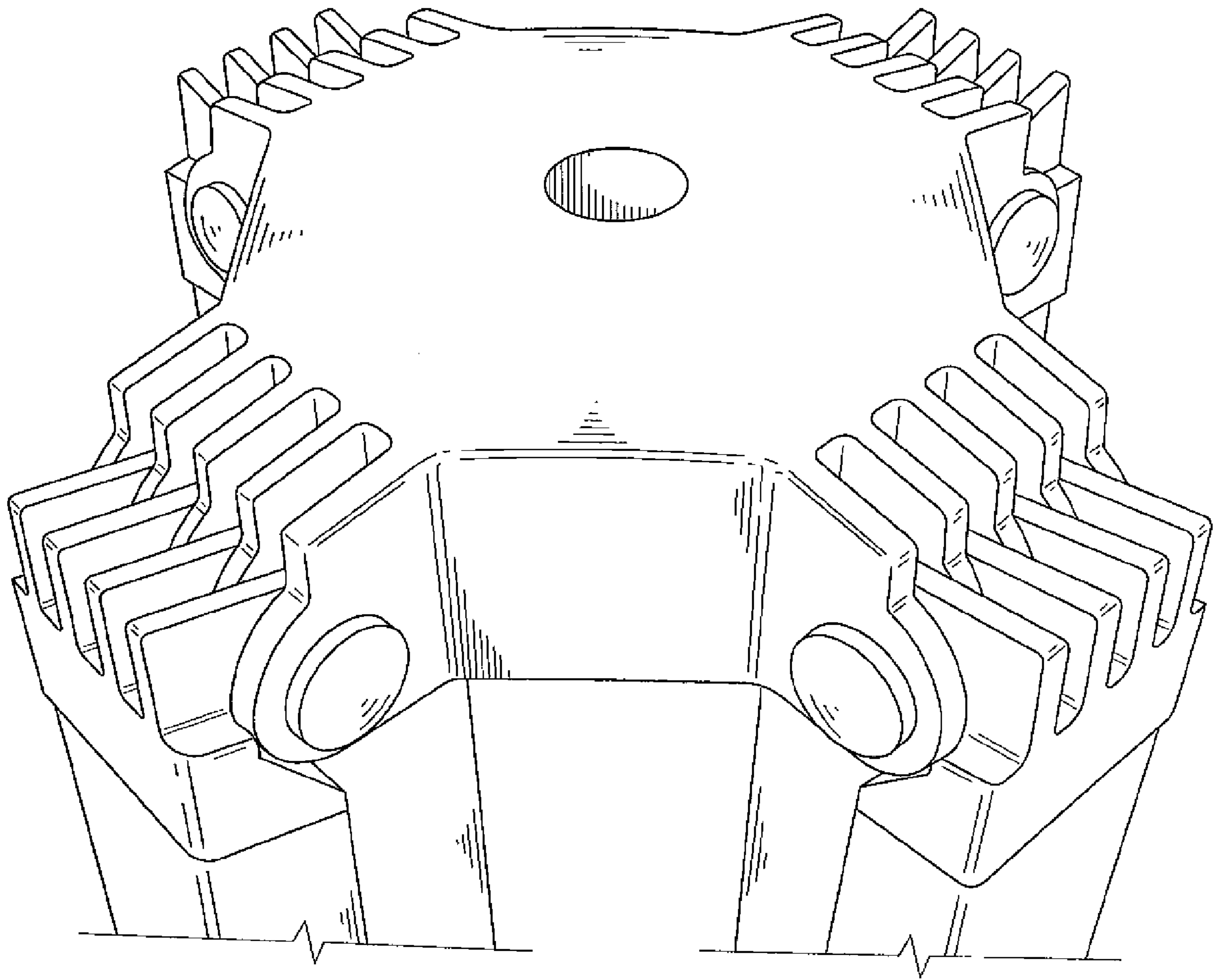


FIG.5

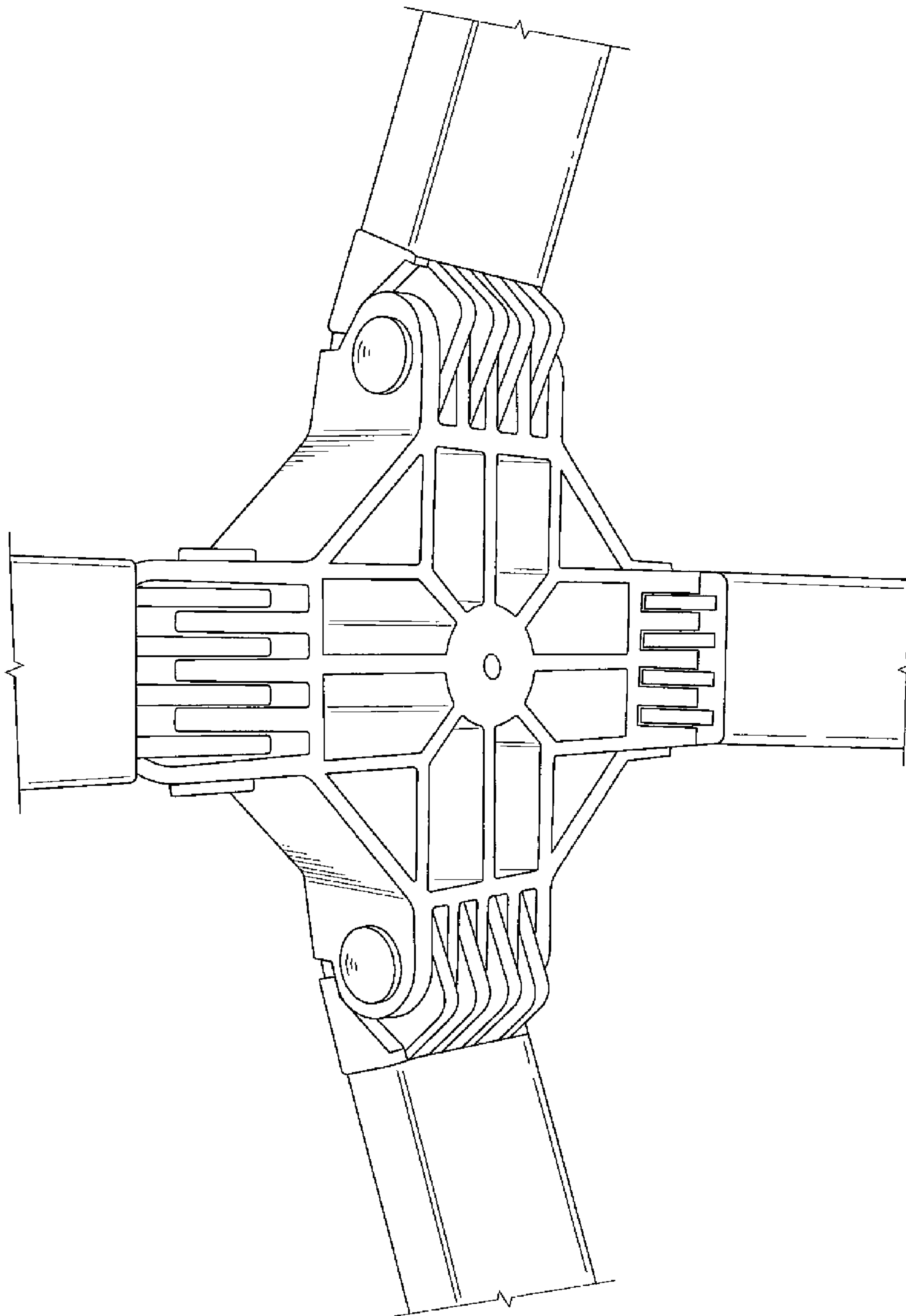


FIG. 6



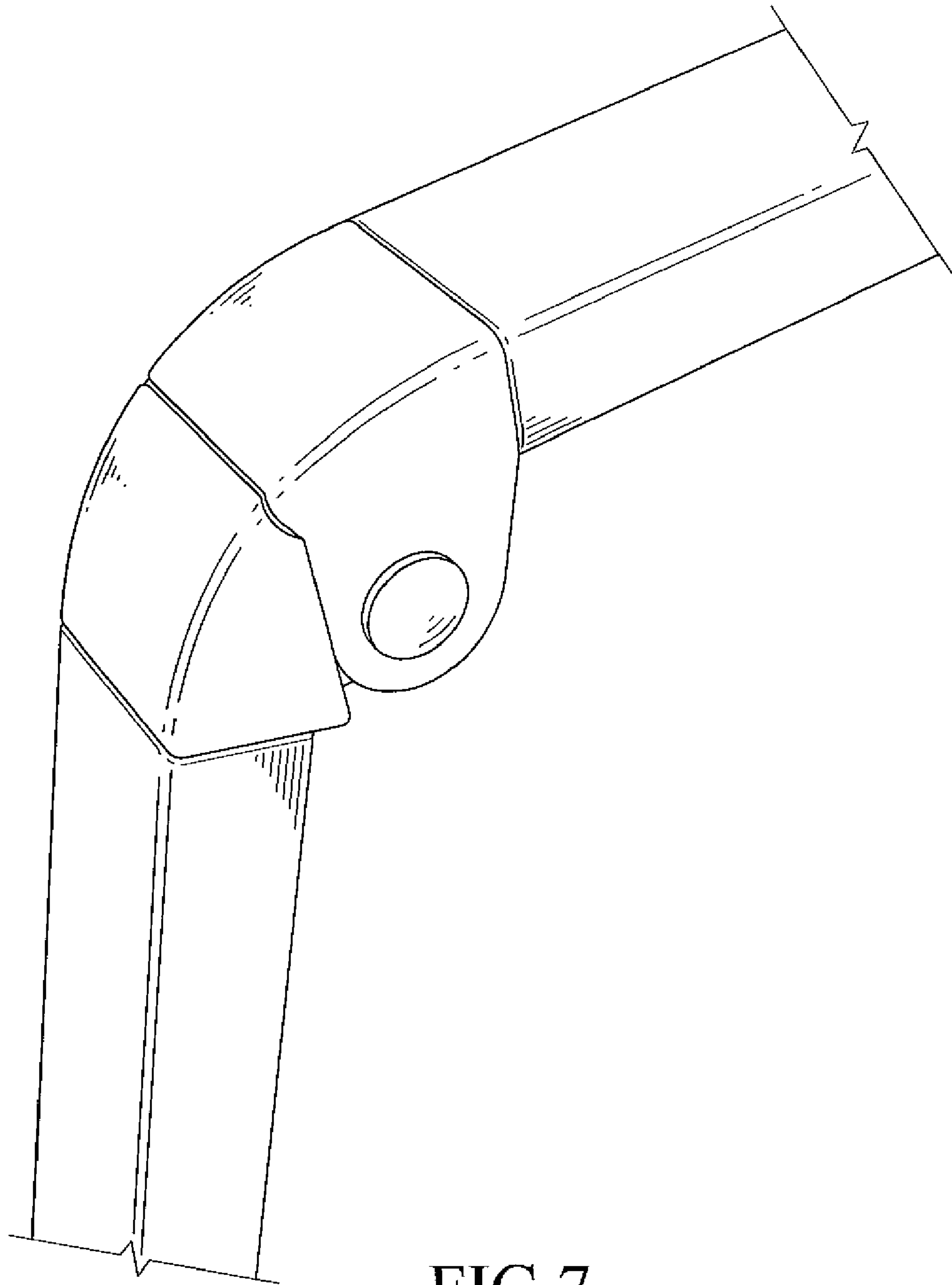


FIG. 7



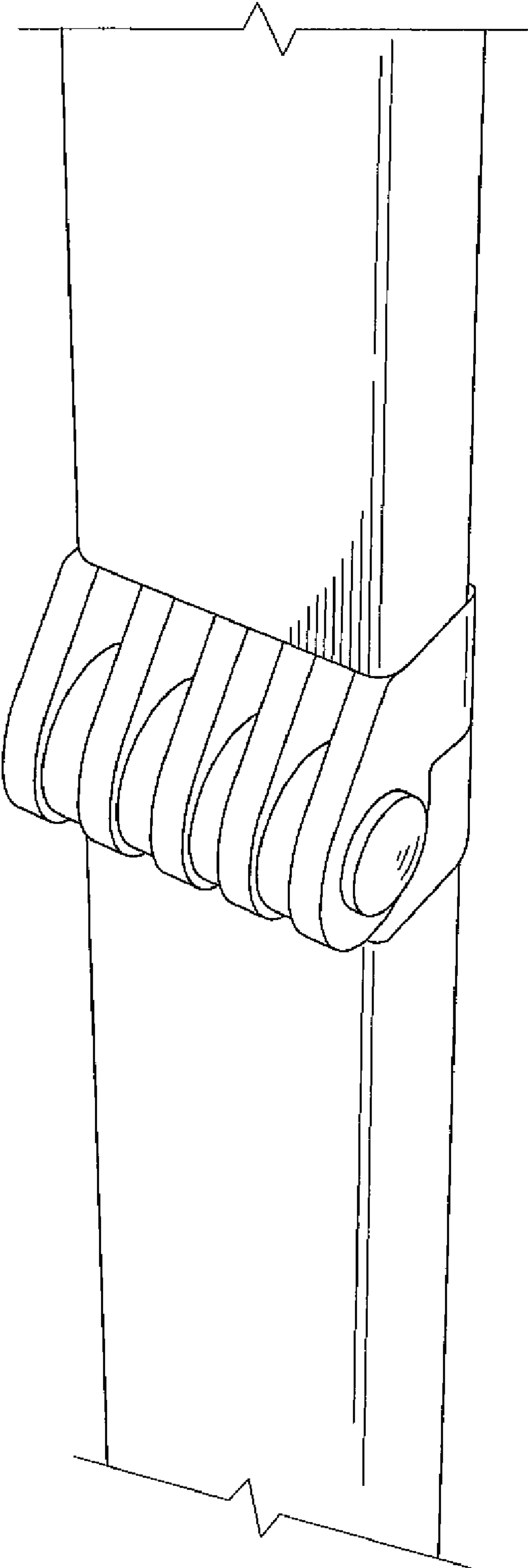


FIG.8