



US00D544926S

(12) **United States Design Patent**
Kassens

(10) **Patent No.:** **US D544,926 S**

(45) **Date of Patent:** **** Jun. 19, 2007**

(54) **INDOOR PLAYHOUSE FOR CHILDREN**

2005/0106996 A1* 5/2005 Smith 446/476

(76) Inventor: **Mike Kassens**, 34268 Olive Grove Rd.,
Wildomar, CA (US) 92595

* cited by examiner

Primary Examiner—Holly H. Baynham

Assistant Examiner—Cynthia M. Chin

(**) Term: **14 Years**

(21) Appl. No.: **29/261,426**

(57) **CLAIM**

(22) Filed: **Jun. 15, 2006**

I claim the ornamental design for a indoor playhouse for children, as shown and described.

(51) **LOC (8) Cl.** **21-01**

(52) **U.S. Cl.** **D21/506**

(58) **Field of Classification Search** D21/483,
D21/506–511, 811, 814, 826, 827; 446/476,
446/478, 110, 111; 52/64, 70–73

See application file for complete search history.

DESCRIPTION

A visually appealing indoor playhouse that is attached to a wall of a home or classroom to enable the creation of a square enclosed fort in the corner of a room.

(56) **References Cited**

U.S. PATENT DOCUMENTS

1,647,733	A	11/1927	Keichline	
D159,019	S	6/1950	Valentine	
4,112,635	A *	9/1978	Rylander	52/69
D262,902	S *	2/1982	Duarte	D21/510
4,696,652	A	9/1987	Reeder	
4,765,006	A	8/1988	Jackson	
D333,328	S *	2/1993	Aker et al.	D21/510
D367,694	S *	3/1996	van Huystee	D21/510
5,562,520	A	10/1996	Pridonoff	
5,580,294	A *	12/1996	Briant	446/110
D380,519	S *	7/1997	van Huystee	D21/814
D381,705	S	7/1997	Panthofer	
D389,892	S *	1/1998	Van Wagenen	D21/827
D407,861	S *	4/1999	Teng	D30/112
6,066,022	A	5/2000	Fobean	
D496,423	S *	9/2004	Byrd	D21/827
D518,137	S *	3/2006	Byrd et al.	D21/827

FIG. 1 is a front elevational view of the door portion of the indoor playhouse for children showing my new design, shown separately for clarity of illustration;

FIG. 2 is a back elevational view thereof;

FIG. 3 is a front elevational view of the window portion of the indoor playhouse for children, shown separately for clarity of illustration;

FIG. 4 is a back elevational view thereof;

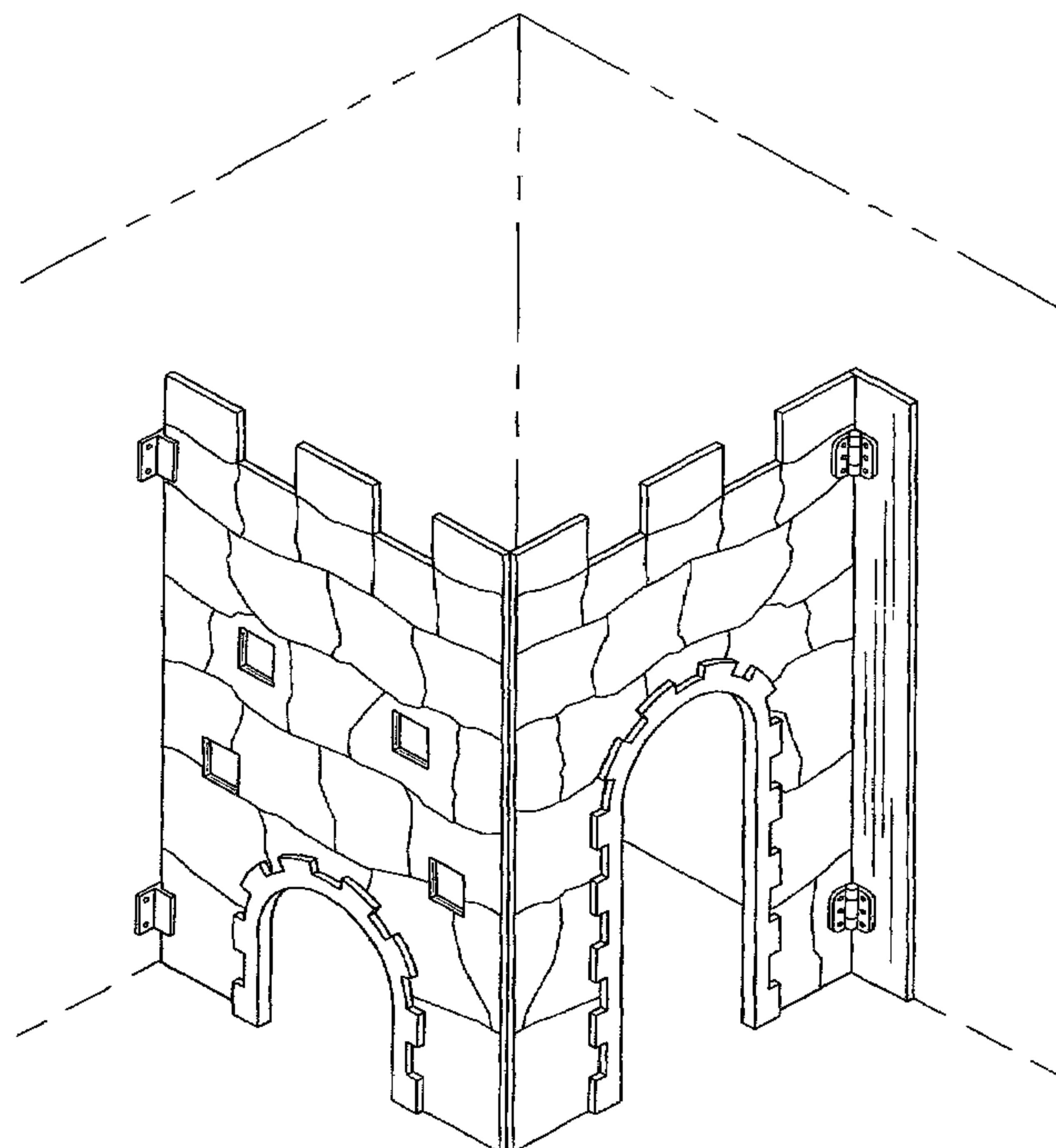
FIG. 5 is a top plan view of the indoor playhouse for children;

FIG. 6 is bottom plan view thereof; and,

FIG. 7 is an environmental isometric perspective view thereof.

The broken lines are for illustrative purposes only and form no part of the claimed design.

1 Claim, 4 Drawing Sheets



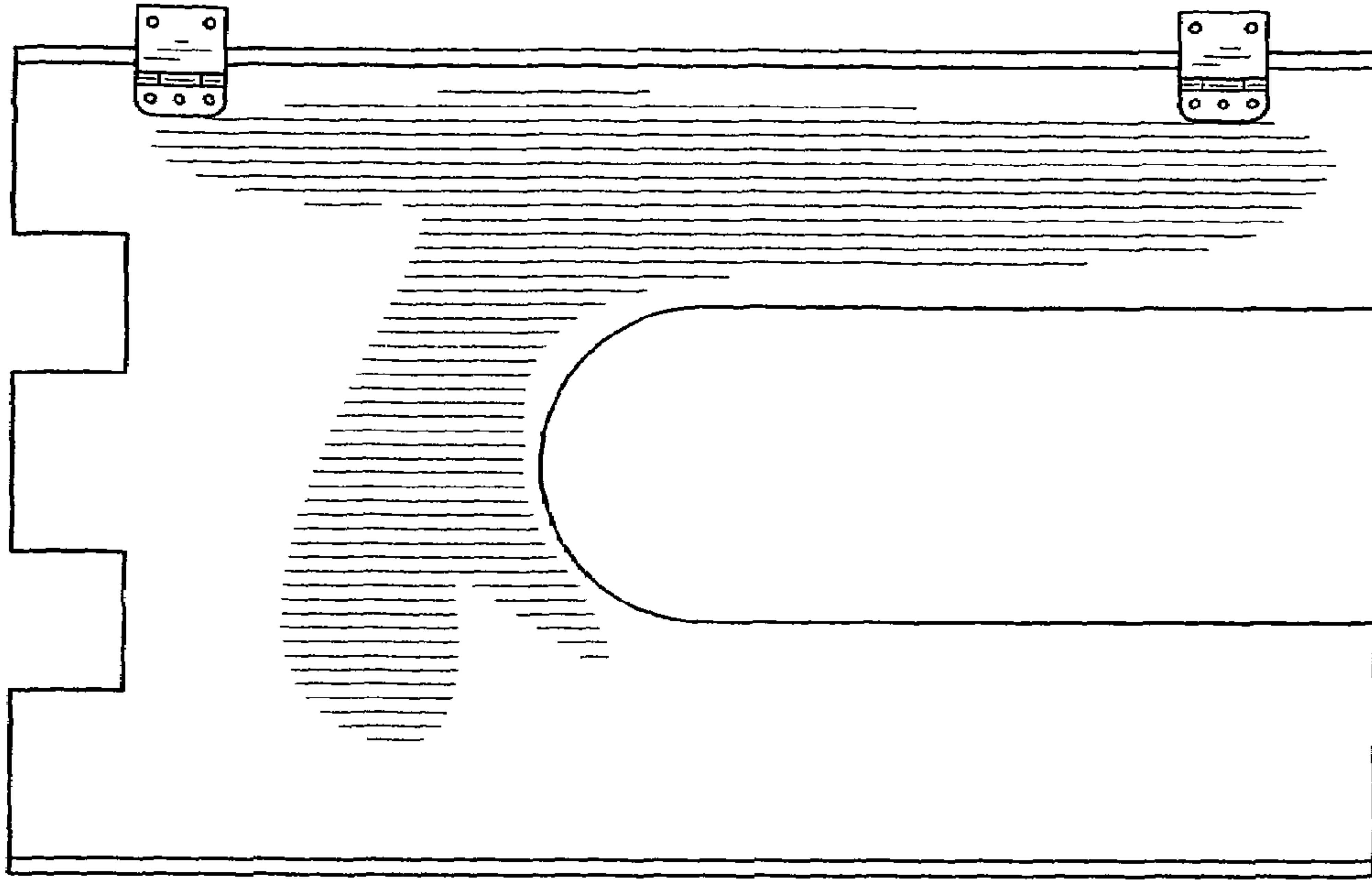


FIG. 2

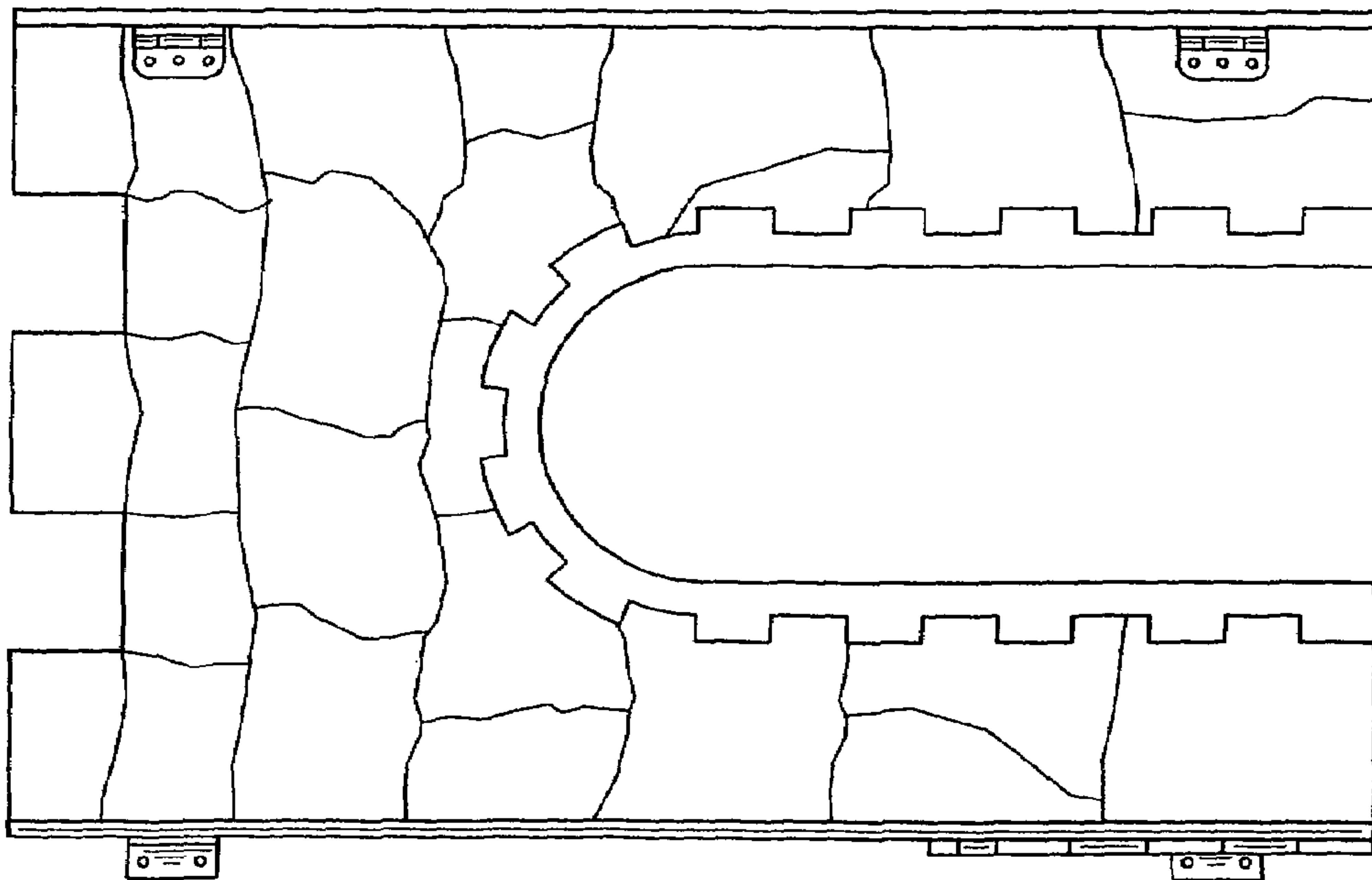


FIG. 1

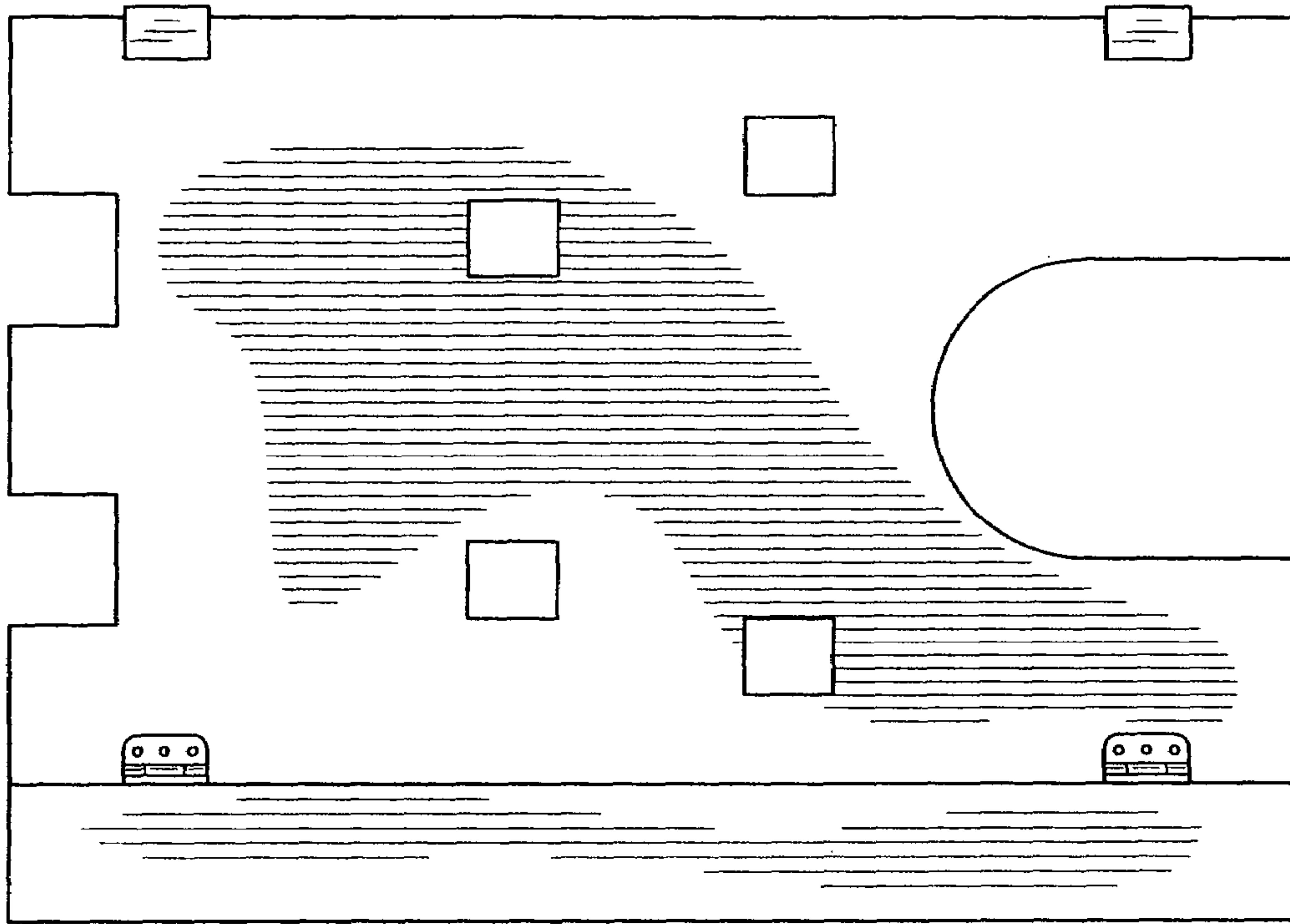


FIG. 4

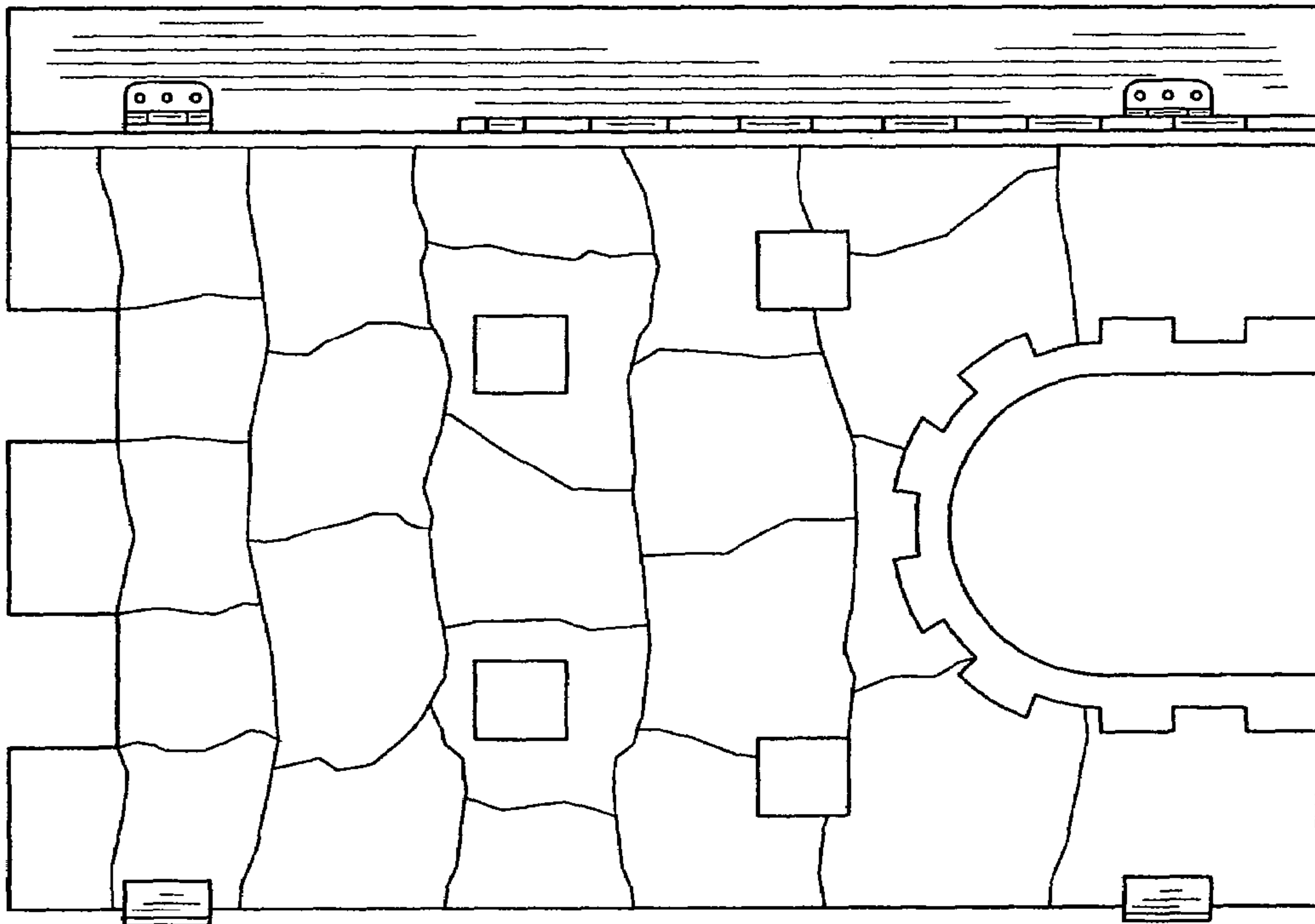


FIG. 3

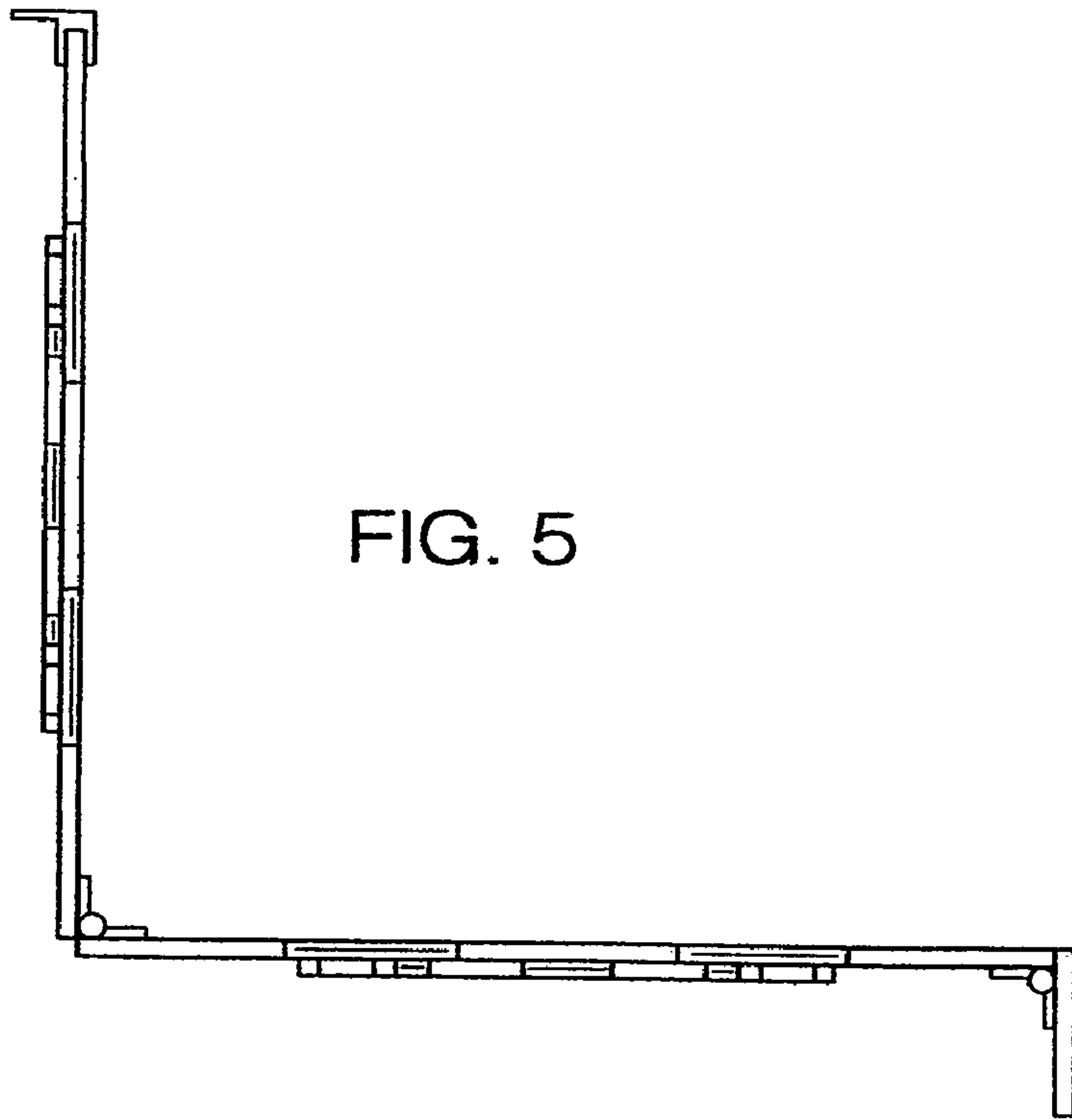


FIG. 5

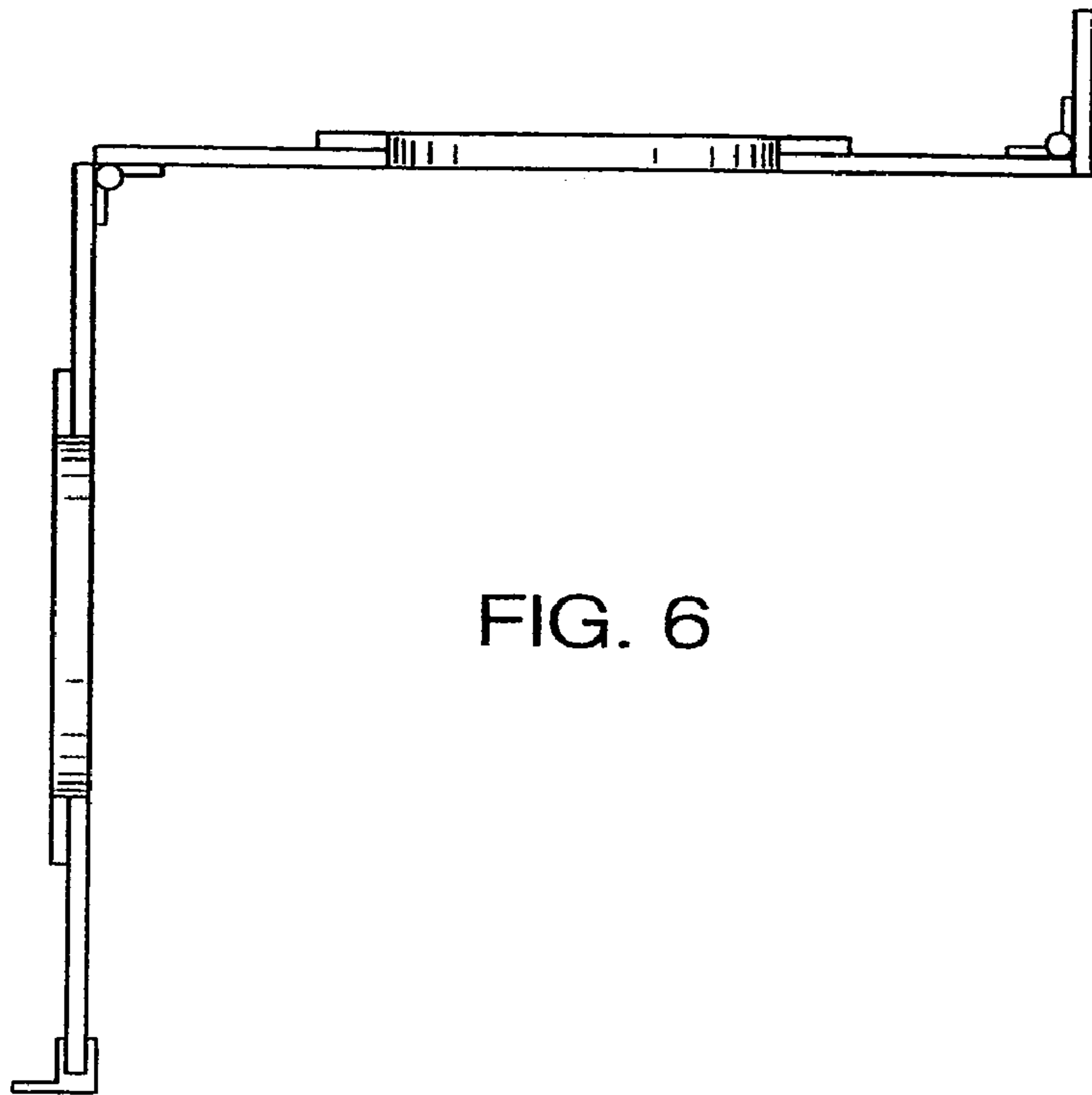


FIG. 6

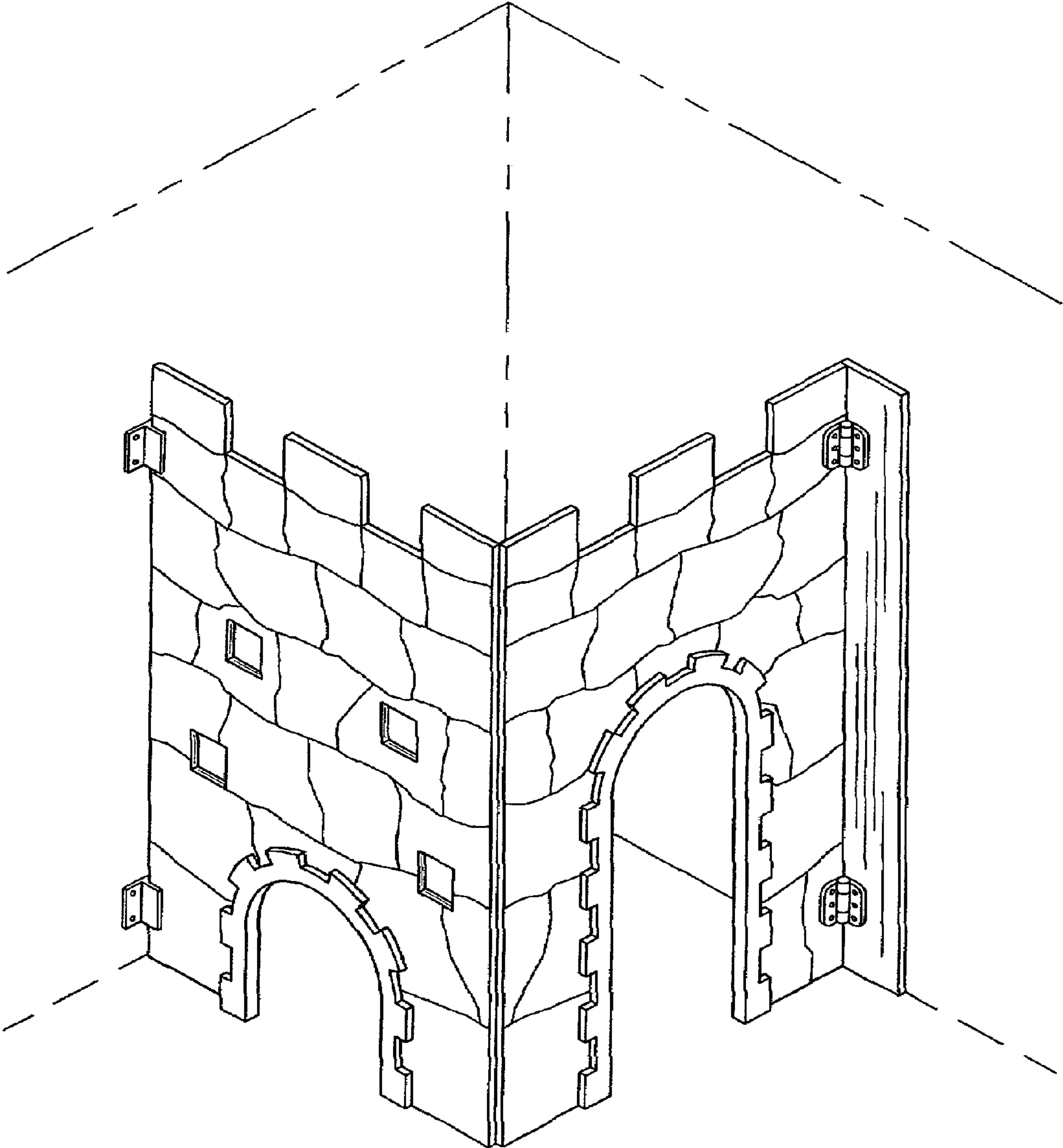


FIG. 7