



US00D544925S

(12) **United States Design Patent**
Drosendahl

(10) **Patent No.:** **US D544,925 S**
(45) **Date of Patent:** **** Jun. 19, 2007**

(54) **END CAPS FOR A STAR-SHAPED TOY BLOCK**

D499,773 S * 12/2004 May et al. D21/499

(75) Inventor: **Christine A. Drosendahl**, Bristol, RI (US)

* cited by examiner

Primary Examiner—Philip S. Hyder
Assistant Examiner—RoseLynne [Ulm] Cody
(74) *Attorney, Agent, or Firm*—Edell, Shapiro & Finnan, LLC

(73) Assignee: **Mattel, Inc.**, El Segundo, CA (US)

(**) Term: **14 Years**

(57) **CLAIM**

(21) Appl. No.: **29/216,558**

The ornamental design for end caps for a star-shaped toy block, as shown and described.

(22) Filed: **Nov. 5, 2004**

(51) **LOC (8) Cl.** **21-01**

(52) **U.S. Cl.** **D21/493**

(58) **Field of Classification Search** D21/386,
D21/388–389, 484, 486, 489–490, 493, 503–504;
D25/112–113; D28/4, 7–8, 8.1–8.2, 76,
D28/78–79, 81; D9/423–426, 430–432,
D9/434–435, 451, 516, 529, 561, 669; D11/70,
D11/75; D3/270, 271.1; 446/85, 117
See application file for complete search history.

DESCRIPTION

FIG. 1 is a perspective view of a star-shaped toy block according to the present invention;

FIG. 2 is an enlarged front view of the toy block of FIG. 1;

FIG. 3 is an enlarged rear view of the toy block of FIG. 1;

FIG. 4 is an enlarged left side view of the toy block of FIG. 1;

FIG. 5 is an enlarged right side view of the toy block of FIG. 1;

FIG. 6 is an enlarged top view of the toy block of FIG. 1; and,

FIG. 7 is an enlarged bottom view of the toy block of FIG. 1.

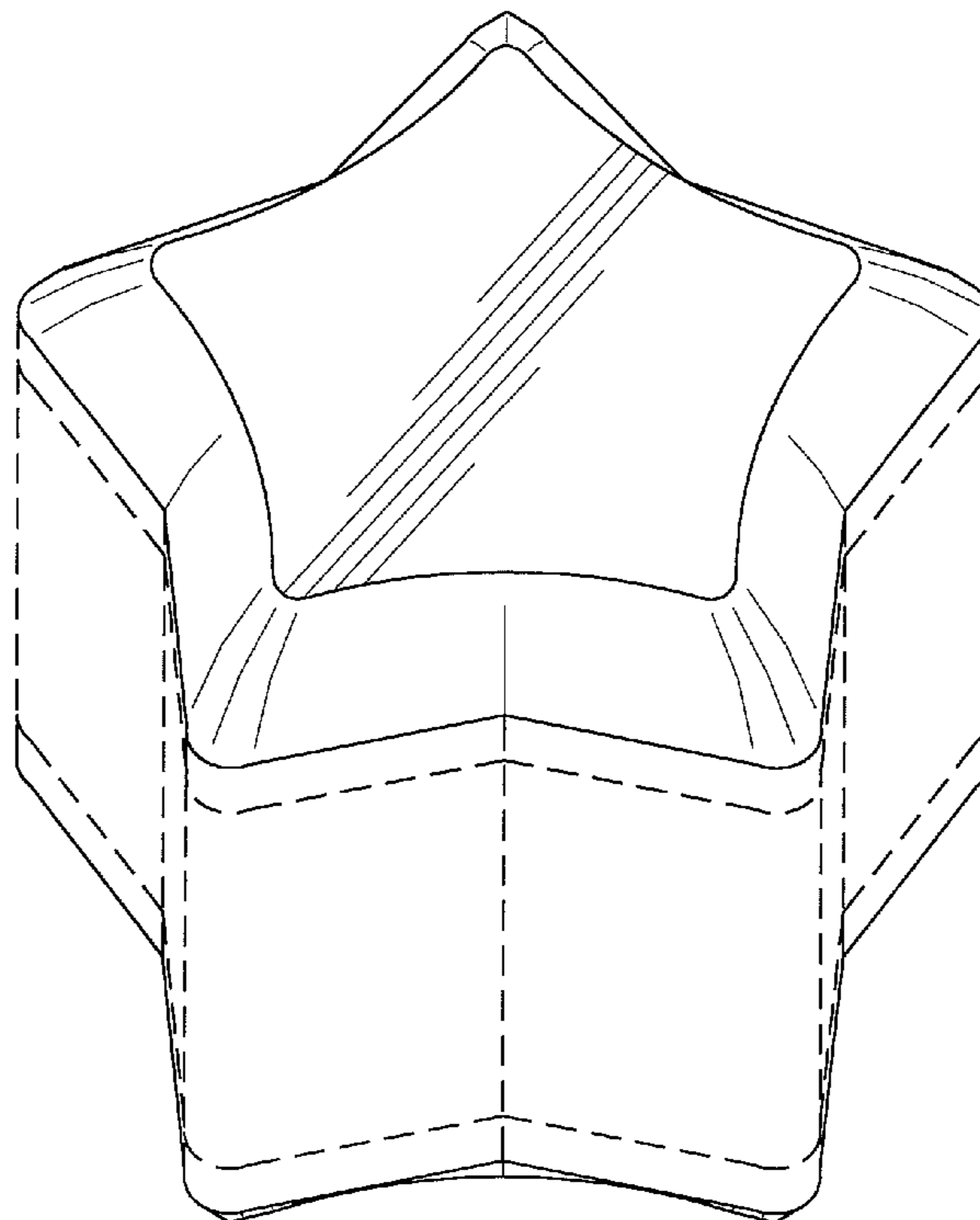
The broken lines in the figures form no part of the claimed design.

(56) **References Cited**

U.S. PATENT DOCUMENTS

D45,753 S *	5/1914	Human	D9/669
D103,387 S *	3/1937	Chesler	D9/424
D258,201 S *	2/1981	Cassini	D9/669
D274,073 S *	5/1984	Tung	D21/478
D346,675 S *	5/1994	Lang et al.	D28/76
5,447,584 A *	9/1995	Shakespeare et al.	156/63
D443,074 S *	5/2001	Azar	D25/113
D478,180 S *	8/2003	Boss	D9/669

1 Claim, 4 Drawing Sheets



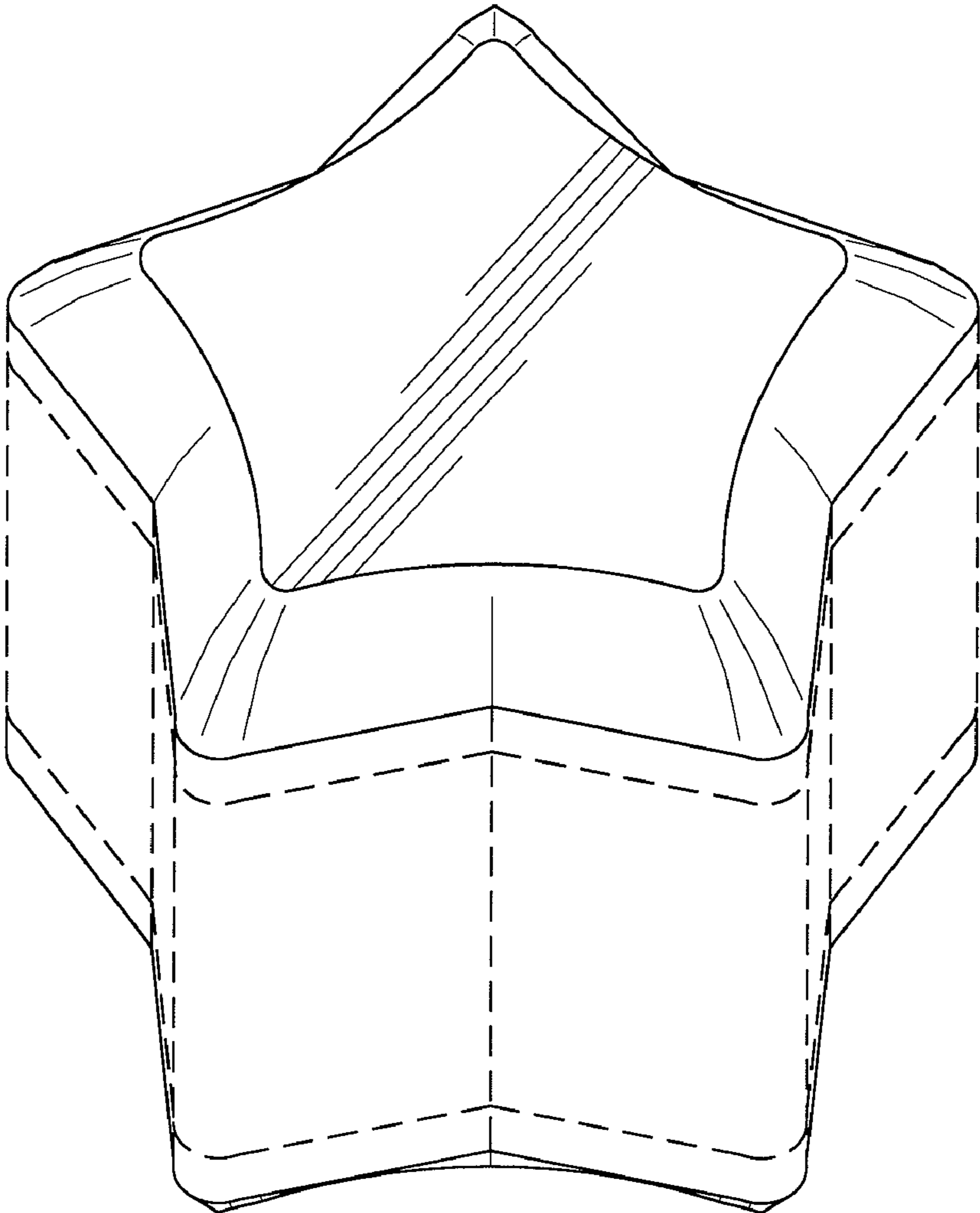


FIG. I

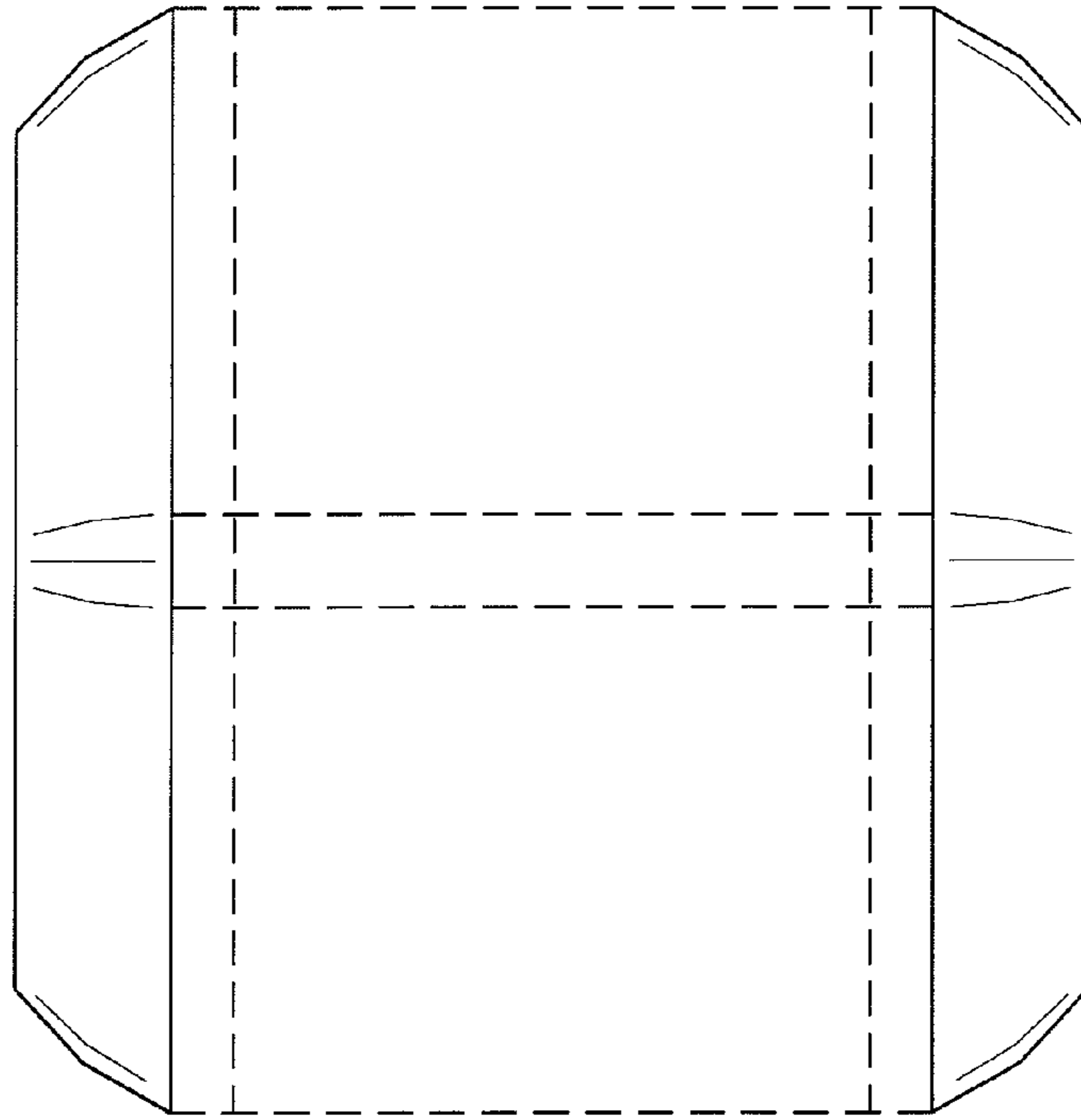


FIG.3

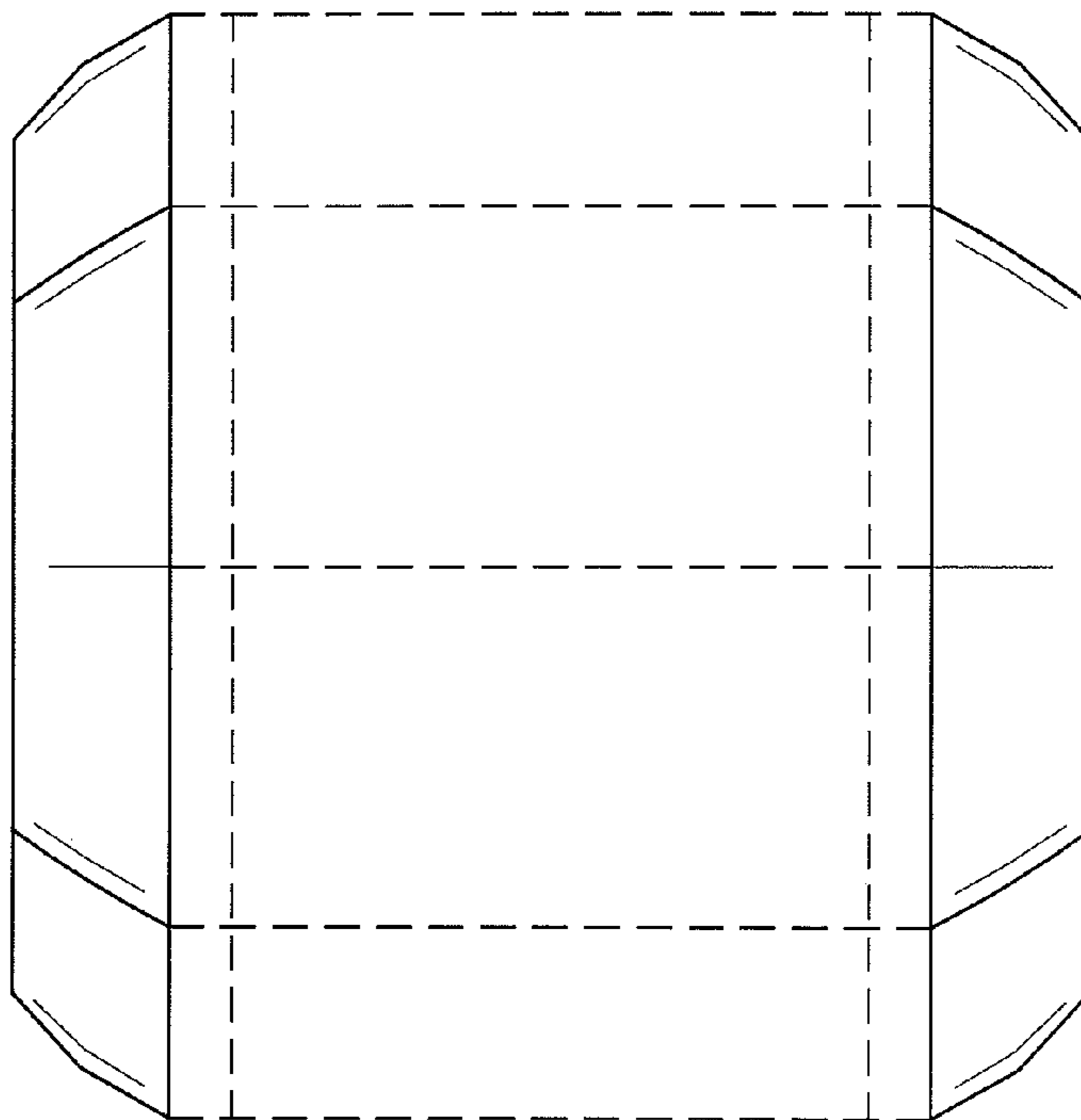


FIG.2

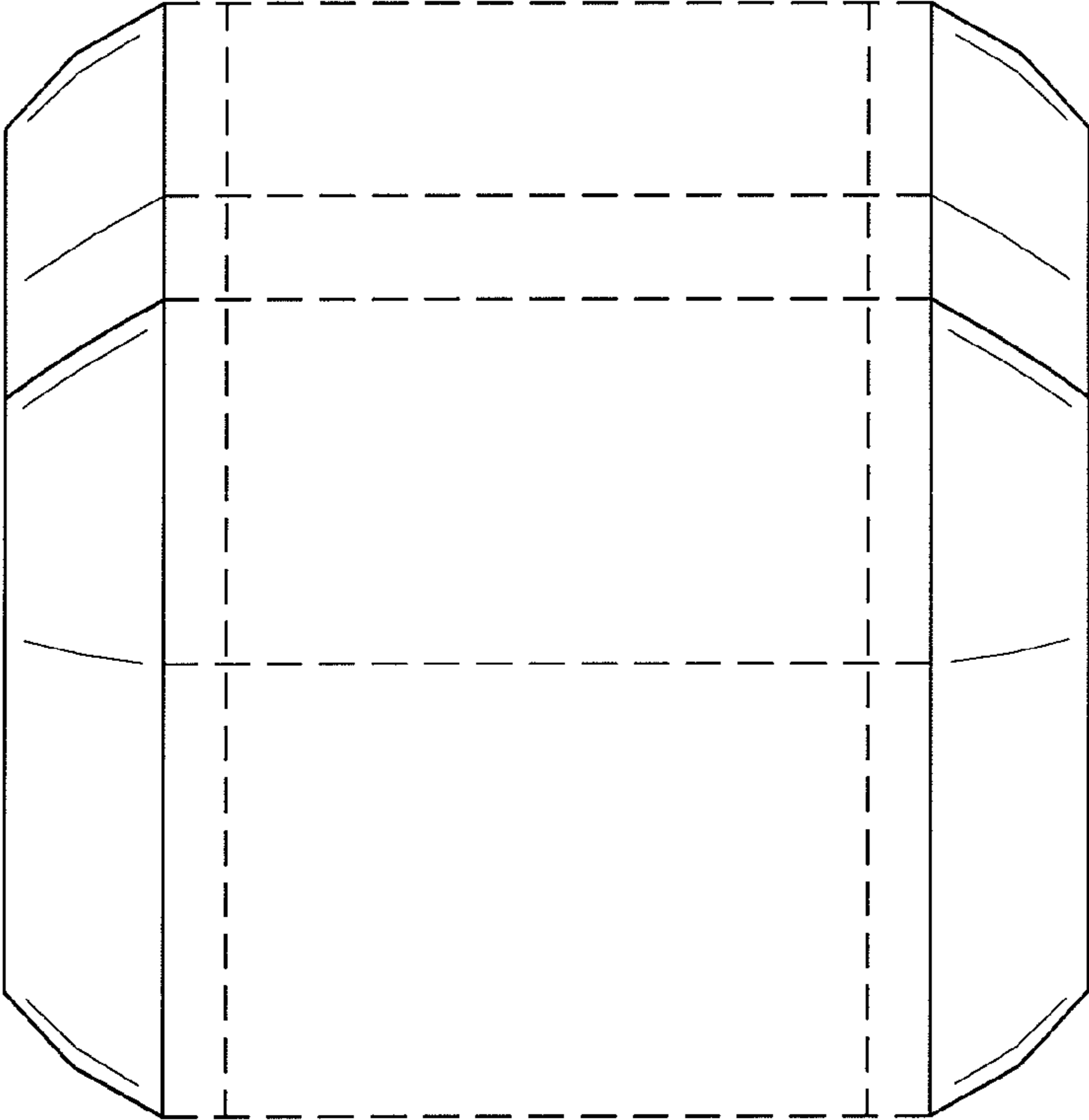


FIG.5

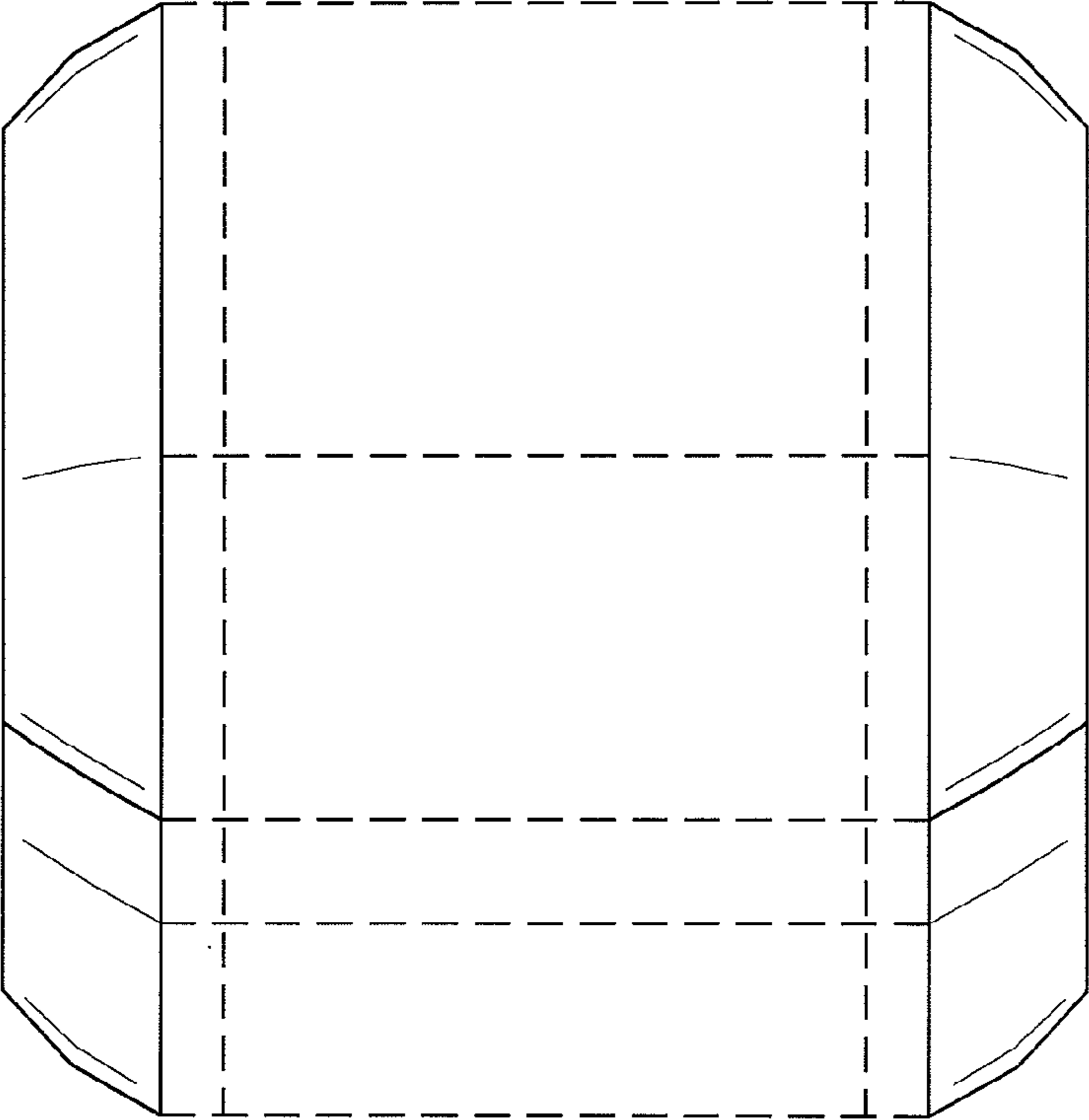


FIG.4

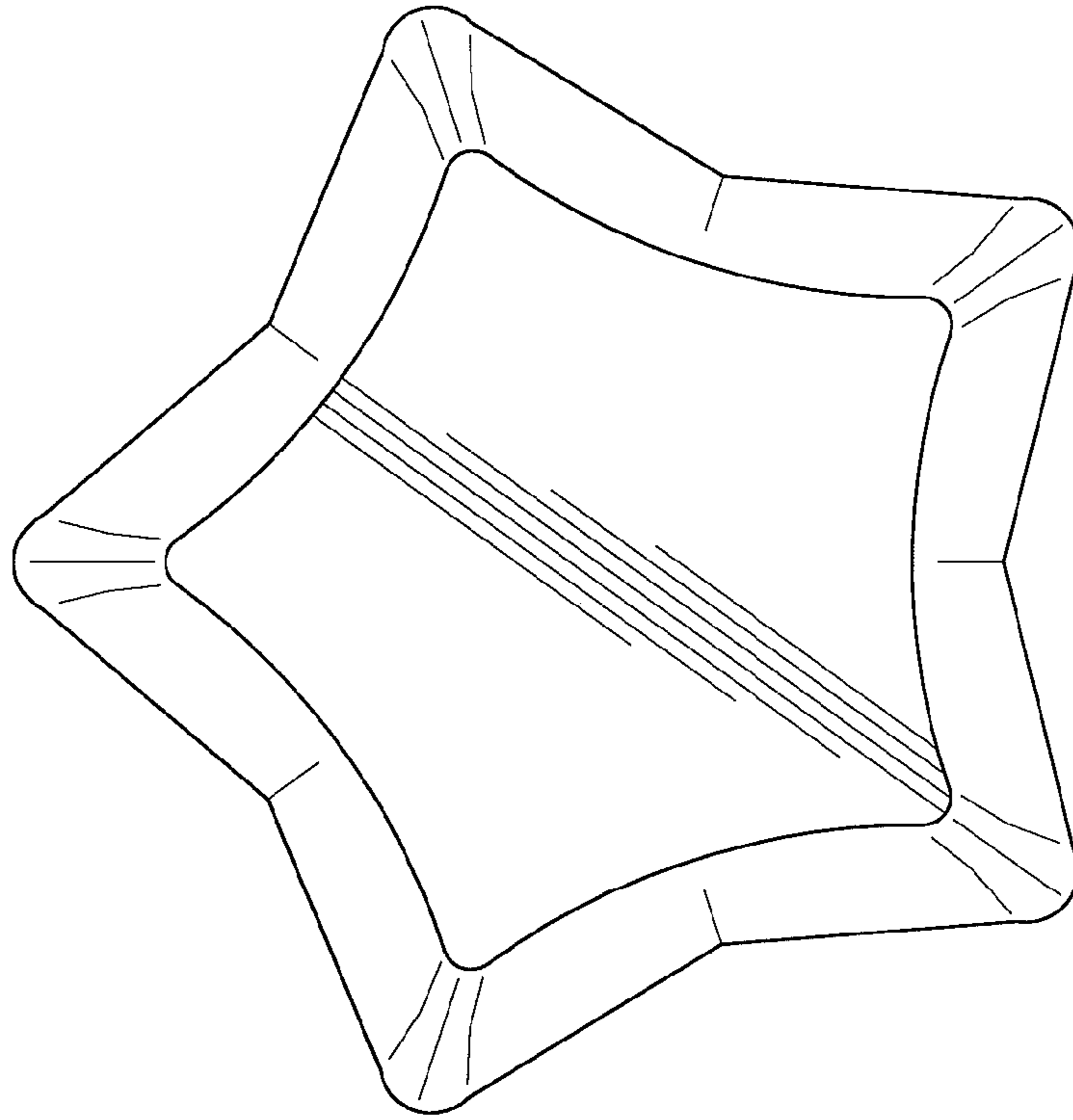


FIG. 6

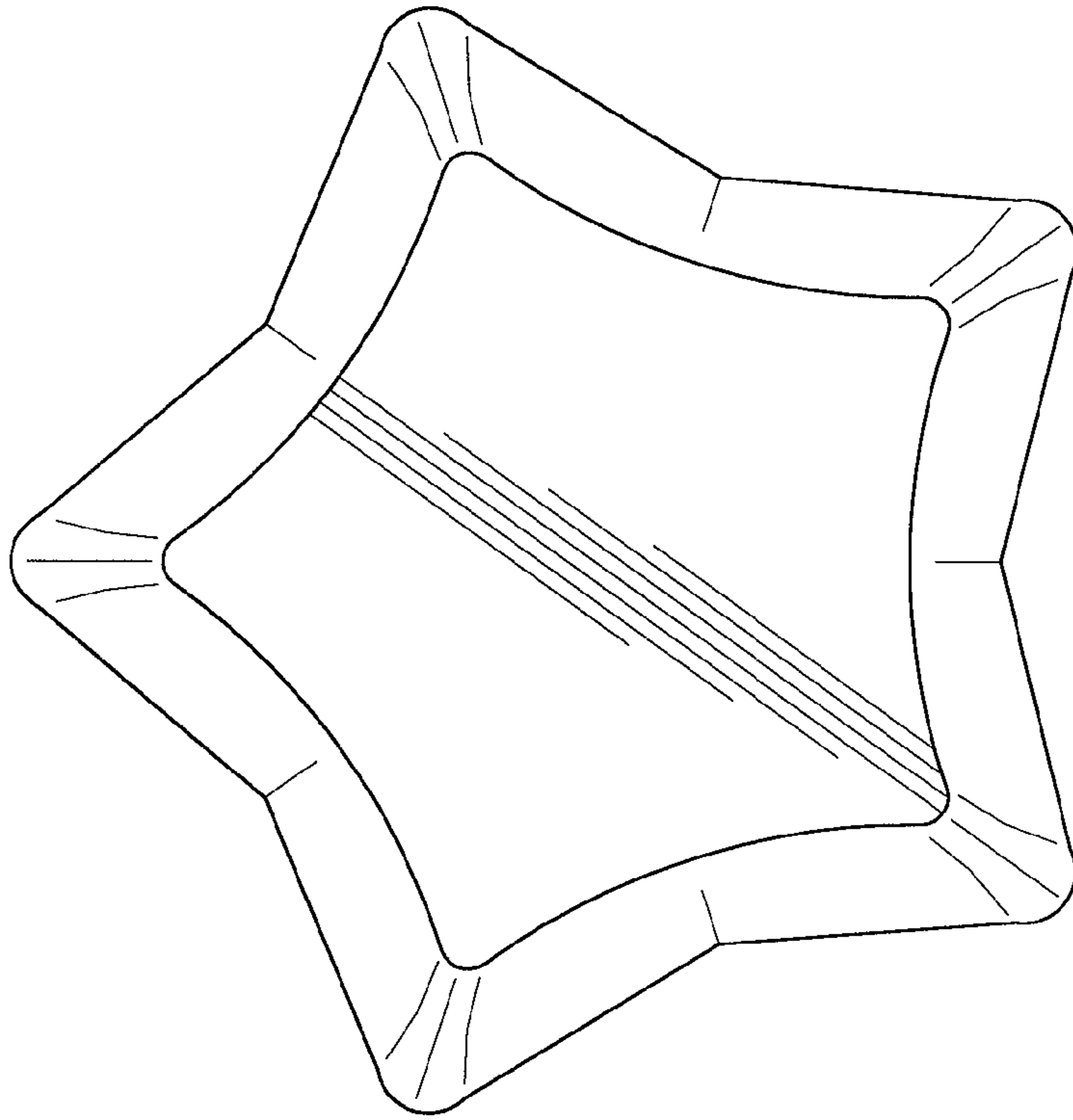


FIG. 7

UNITED STATES PATENT AND TRADEMARK OFFICE
CERTIFICATE OF CORRECTION

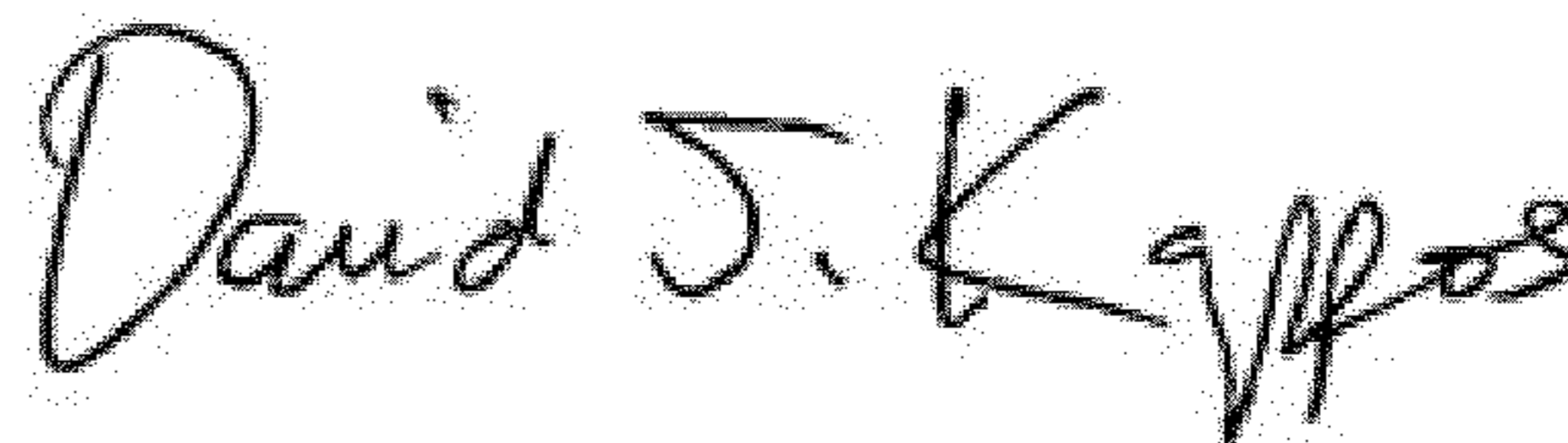
PATENT NO. : D544,925 S
APPLICATION NO. : 29/216558
DATED : June 19, 2007
INVENTOR(S) : Christine A. Drosendahl

Page 1 of 2

It is certified that error appears in the above-identified patent and that said Letters Patent is hereby corrected as shown below:

Delete Drawing Sheet 4 of 4 and substitute therefore the attached Drawing Sheet 4 of 4 consisting of replacement FIGS. 6 and 7.

Signed and Sealed this
Fifteenth Day of January, 2013

A handwritten signature in black ink that reads "David J. Kappos". The signature is written in a cursive, slightly slanted style.

David J. Kappos
Director of the United States Patent and Trademark Office

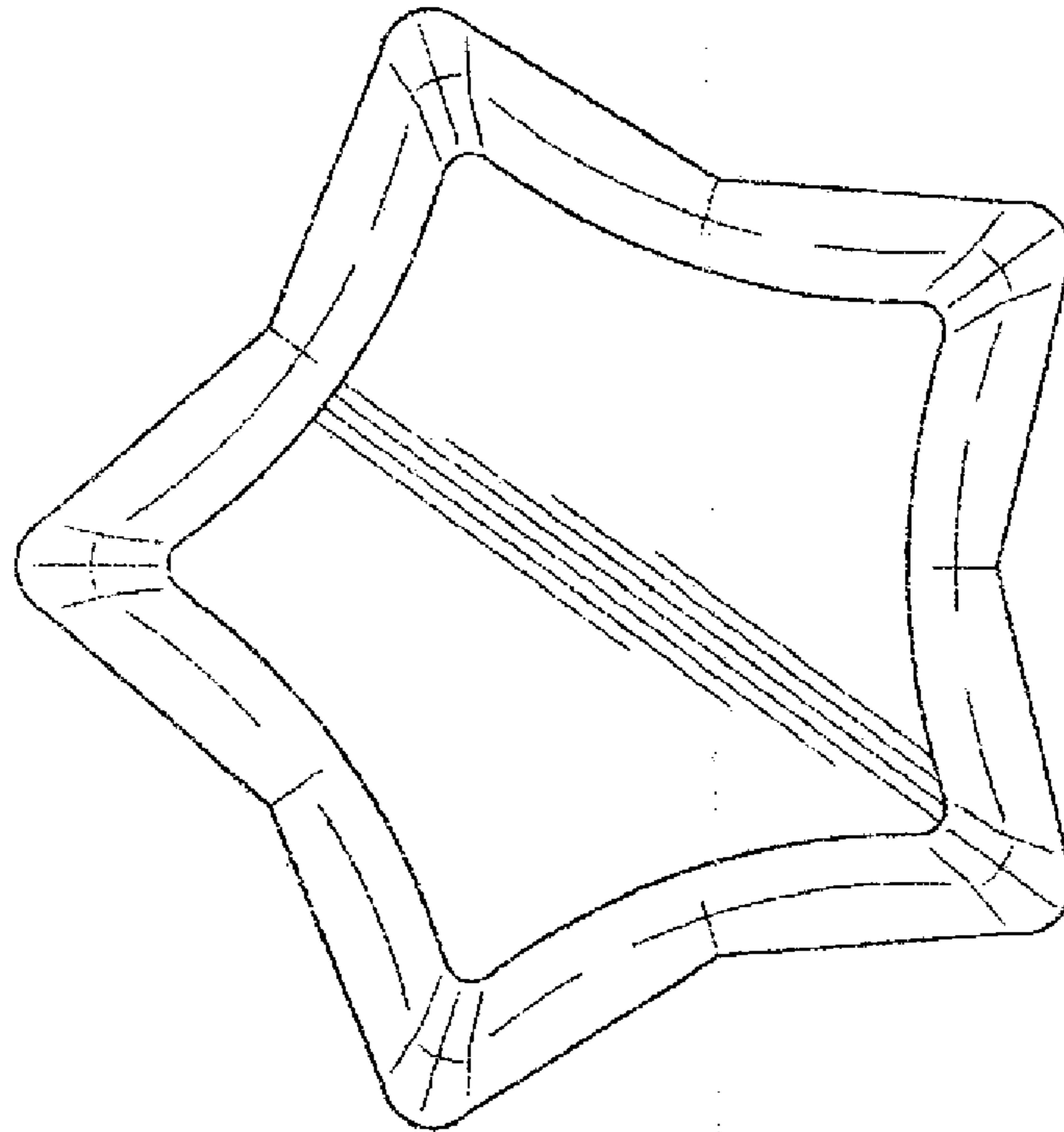


FIG. 7

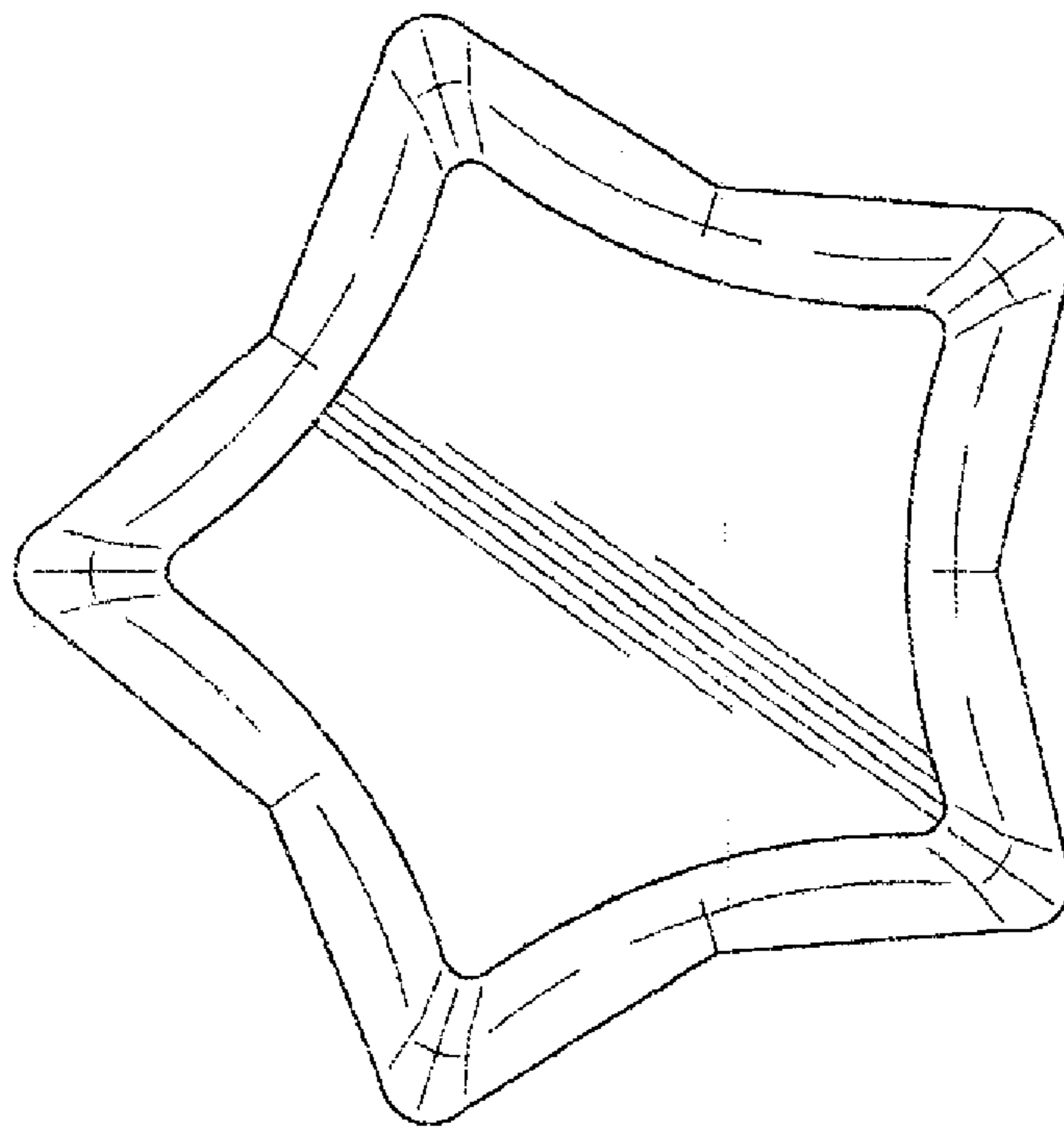


FIG. 6