



US00D544922S

(12) **United States Design Patent**
Shaffer

(10) **Patent No.:** **US D544,922 S**

(45) **Date of Patent:** **** Jun. 19, 2007**

(54) **CONVERTIBLE BILLBOARD DISPLAY**

(76) Inventor: **William H. Shaffer**, P.O. Box 2174,
Cinnaminson, NJ (US) 08077

(**) Term: **14 Years**

(21) Appl. No.: **29/236,445**

(22) Filed: **Aug. 16, 2005**

(51) **LOC (8) Cl.** **20-03**

(52) **U.S. Cl.** **D20/10; D20/43**

(58) **Field of Classification Search** D20/10-12,
D20/21, 22, 39, 40, 43, 99; 40/1, 124.01,
40/124.15, 530, 536, 610, 642.02; 283/56,
283/81; 281/3.1, 16, 27.3, 29, 33, 38; D19/32,
D19/26, 27; 248/472; 434/408, 430; 402/3,
402/4, 29; 206/232

See application file for complete search history.

(56) **References Cited**

U.S. PATENT DOCUMENTS

| | | | | | |
|--------------|------|--------|---------------|-------|---------|
| 626,441 | A * | 6/1899 | Ramsey | | 281/3.1 |
| 1,635,420 | A * | 7/1927 | Johnson | | 281/33 |
| 2,091,260 | A * | 8/1937 | Farkas et al. | | 40/536 |
| 2,881,662 | A * | 4/1959 | Harris | | 248/472 |
| 4,314,635 | A * | 2/1982 | Fraser et al. | | 206/232 |
| 4,541,190 | A * | 9/1985 | Weiner et al. | | 40/610 |
| 5,775,919 | A * | 7/1998 | Gardner | | 434/408 |
| D477,634 | S * | 7/2003 | Malone | | D19/26 |
| 2004/0130139 | A1 * | 7/2004 | Reising | | 281/33 |

* cited by examiner

Primary Examiner—Robert M. Spear

Assistant Examiner—Mary Ann Calabrese

(74) *Attorney, Agent, or Firm*—Stuart M. Goldstein

(57) **CLAIM**

The ornamental design for a convertible billboard display, as shown and described.

DESCRIPTION

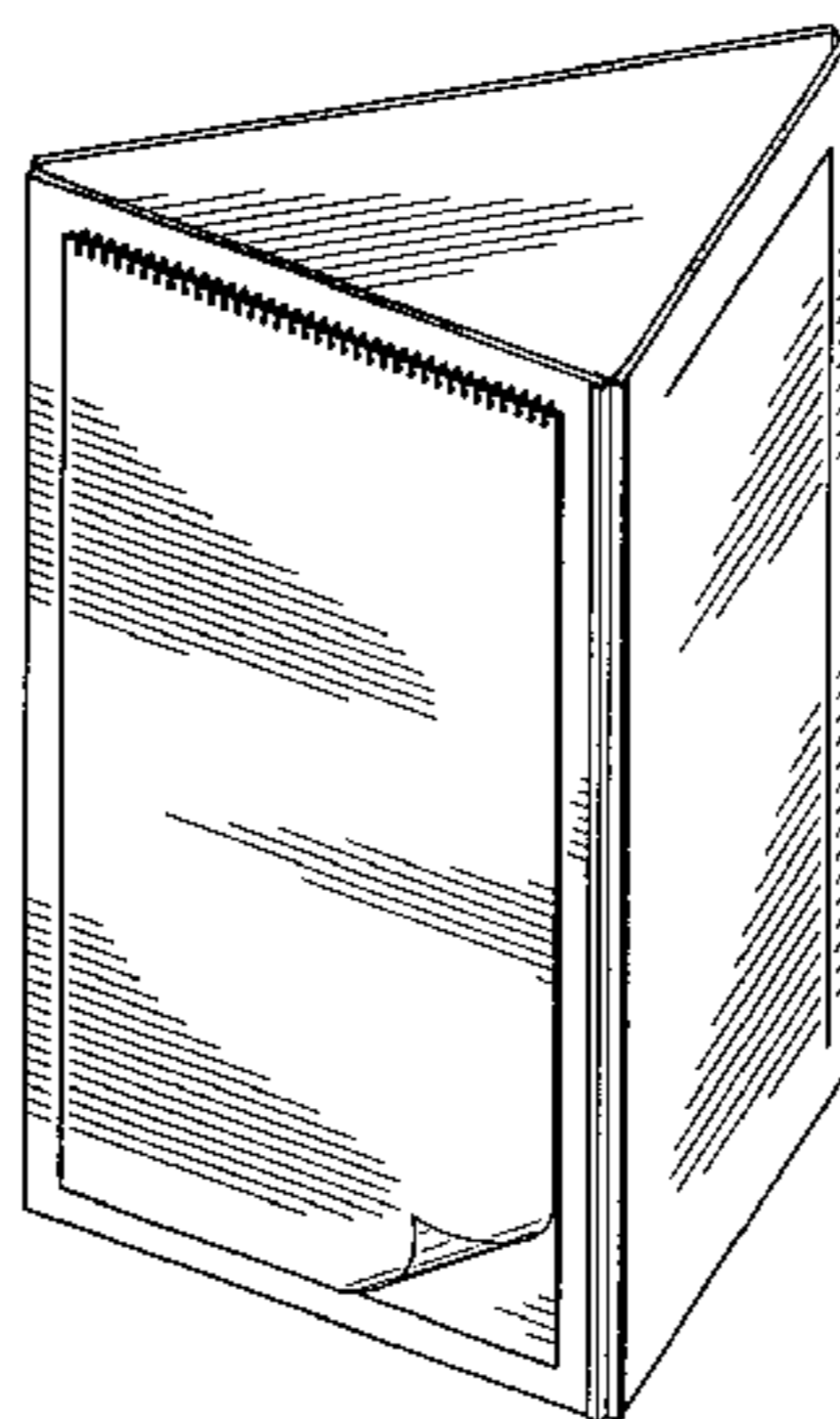
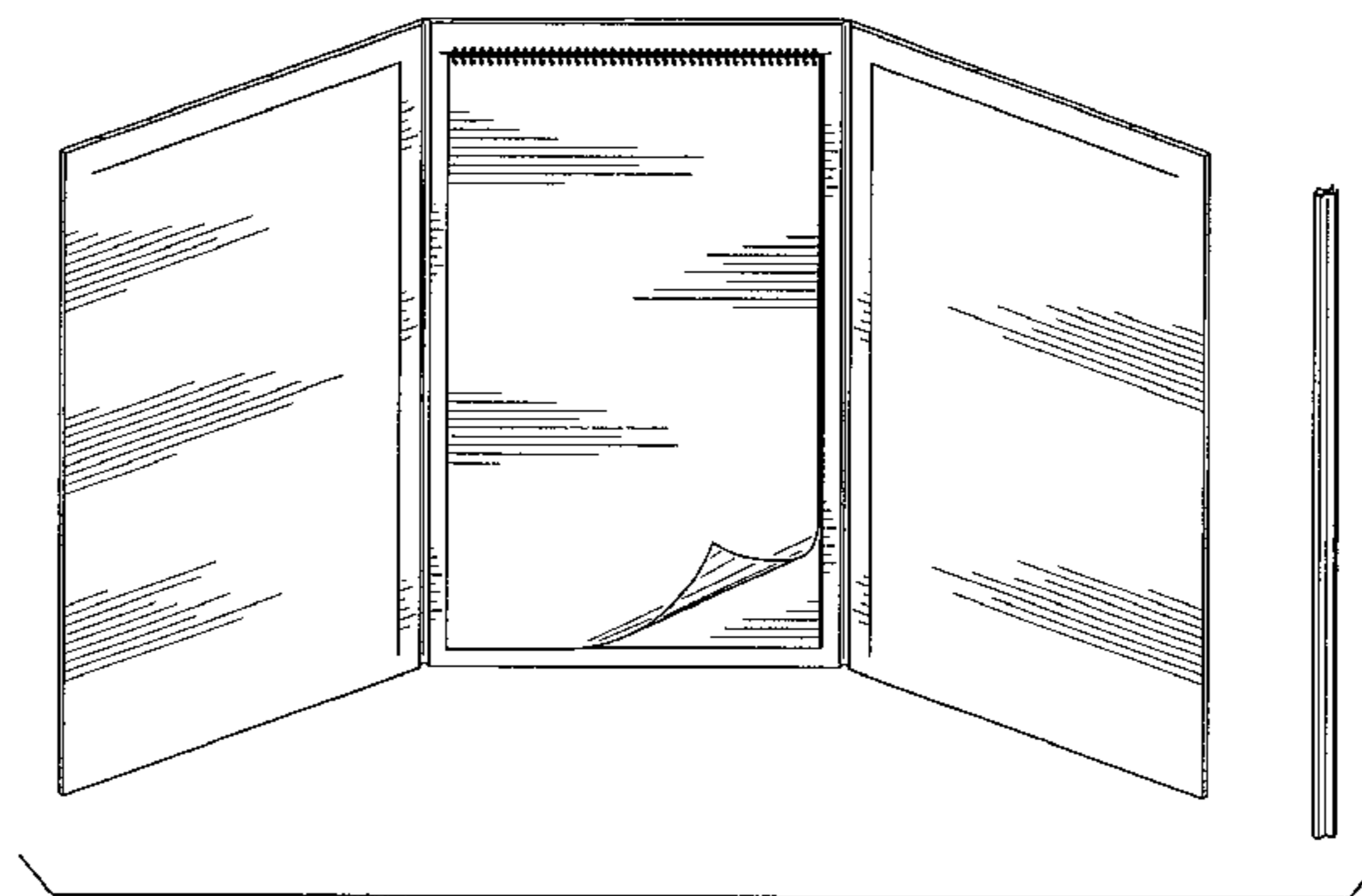
FIG. 1 shows a front view of the billboard display design of the present invention standing in its extended, vertically upright panel configuration, with a multi-page display item in position within the central panel.

FIG. 2 shows an isometric view of the billboard display design of the present invention in its folded, vertically standing, three dimensional triangular configuration, with a multi-page display item in position within one of the panels.

FIG. 3 shows an isometric view of the billboard display design of the present invention in its folded, horizontally positioned, three dimensional, triangular configuration, with a multi-page display item in position within one of the panels; and,

FIG. 4 shows an isometric view of the billboard display design of the present invention in its folded, horizontally positioned, three dimensional triangular configuration, with an alternate multi-page display item in position within one of the panels.

1 Claim, 2 Drawing Sheets



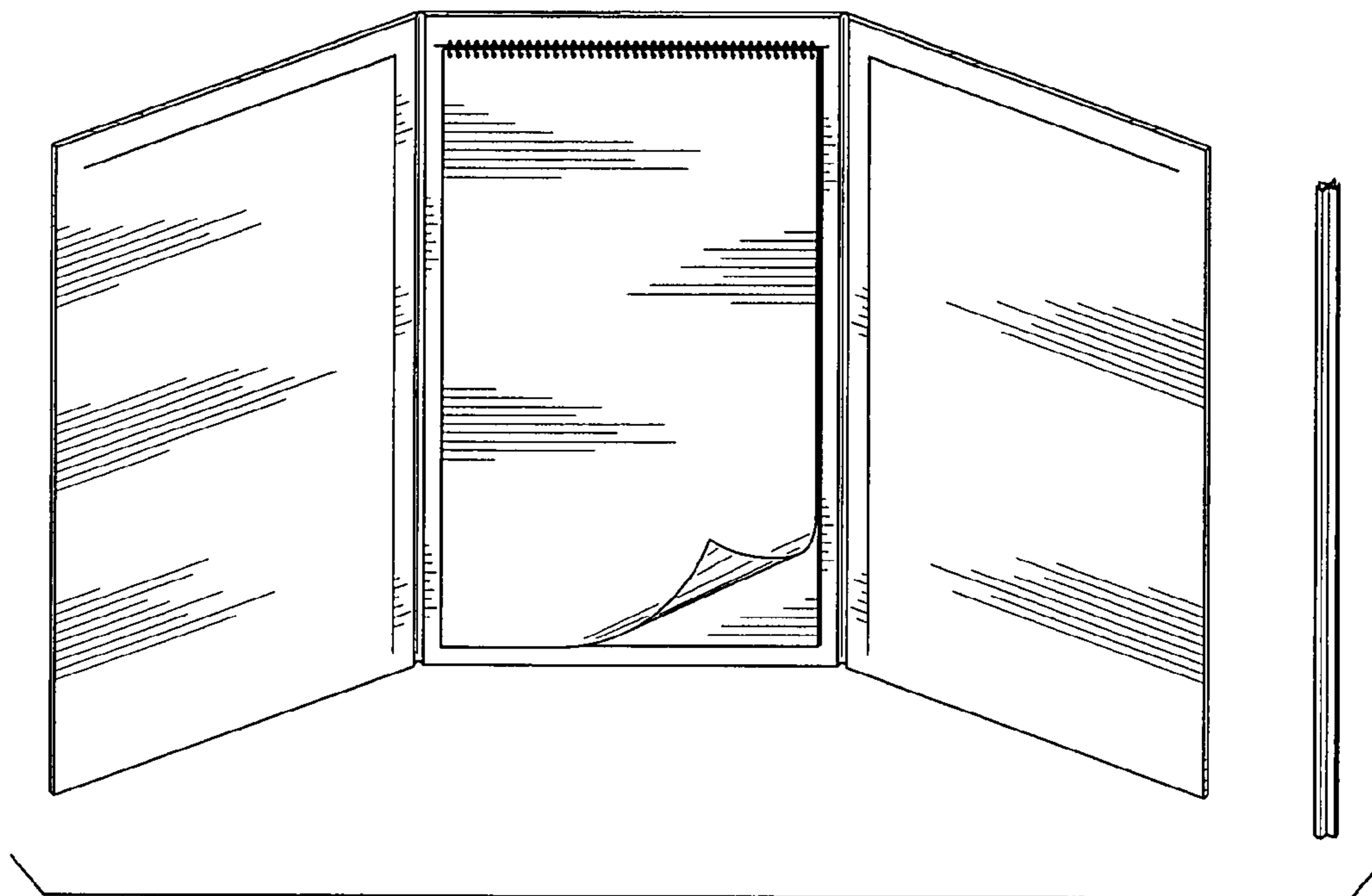


FIG. 1

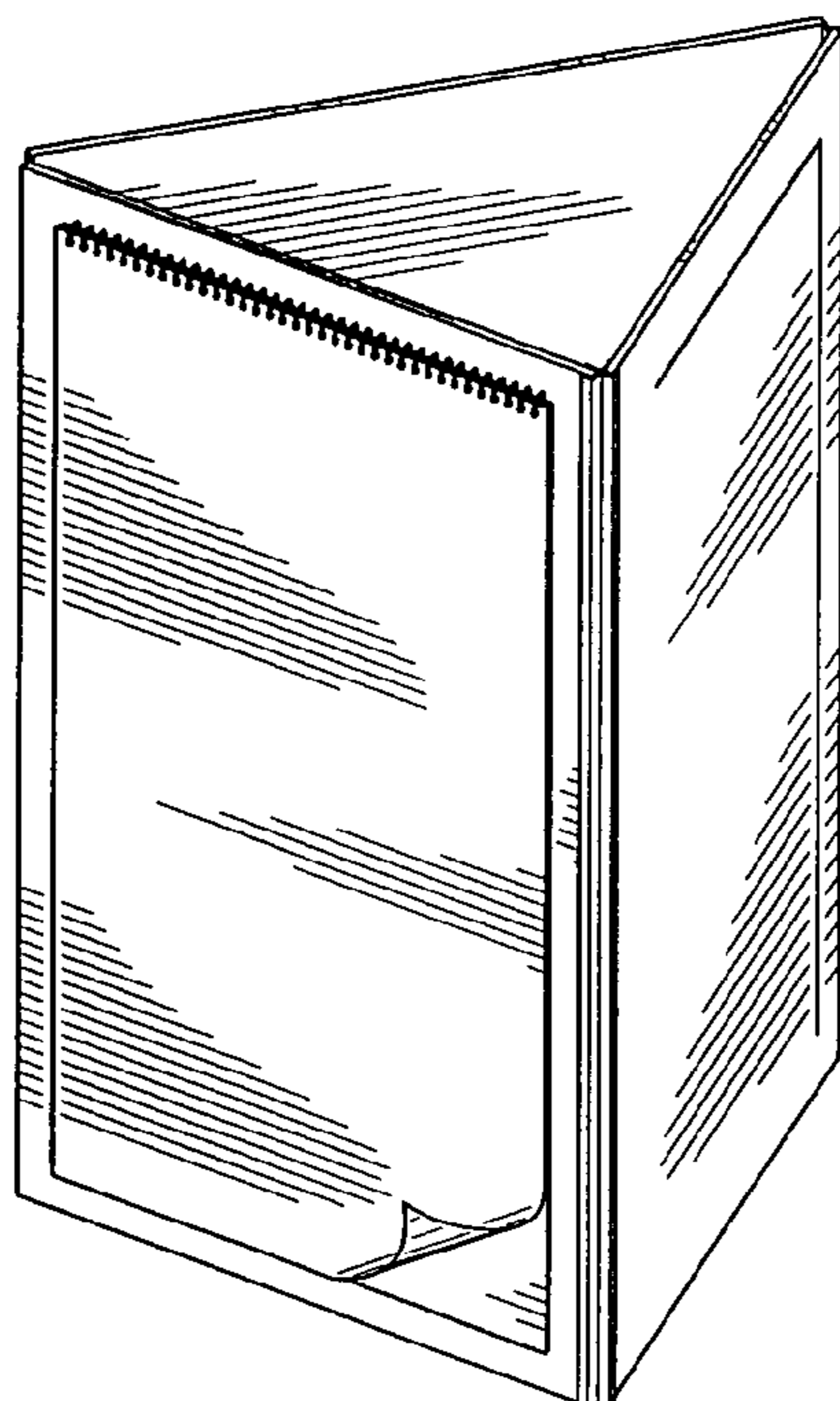


FIG. 2

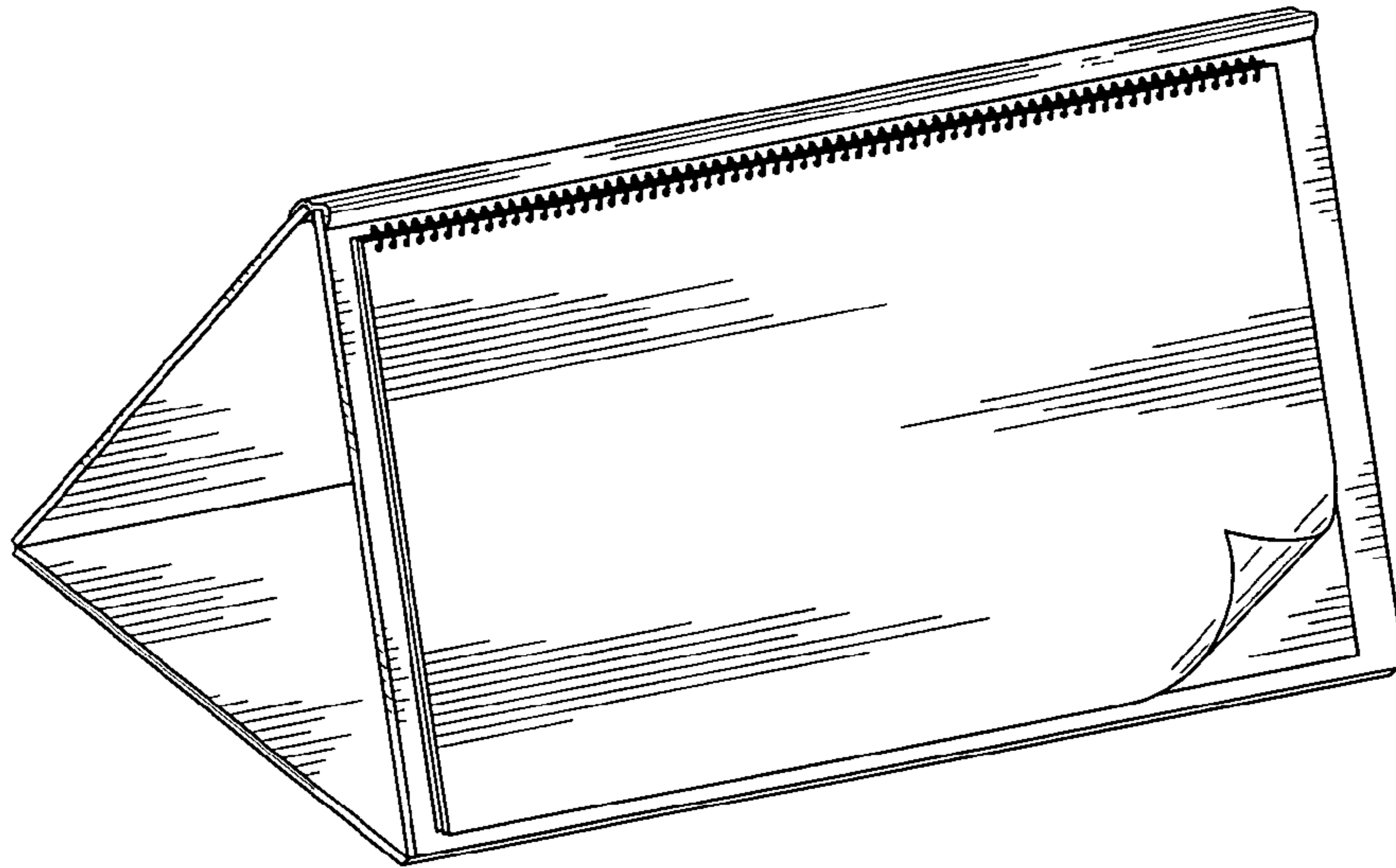


FIG. 3

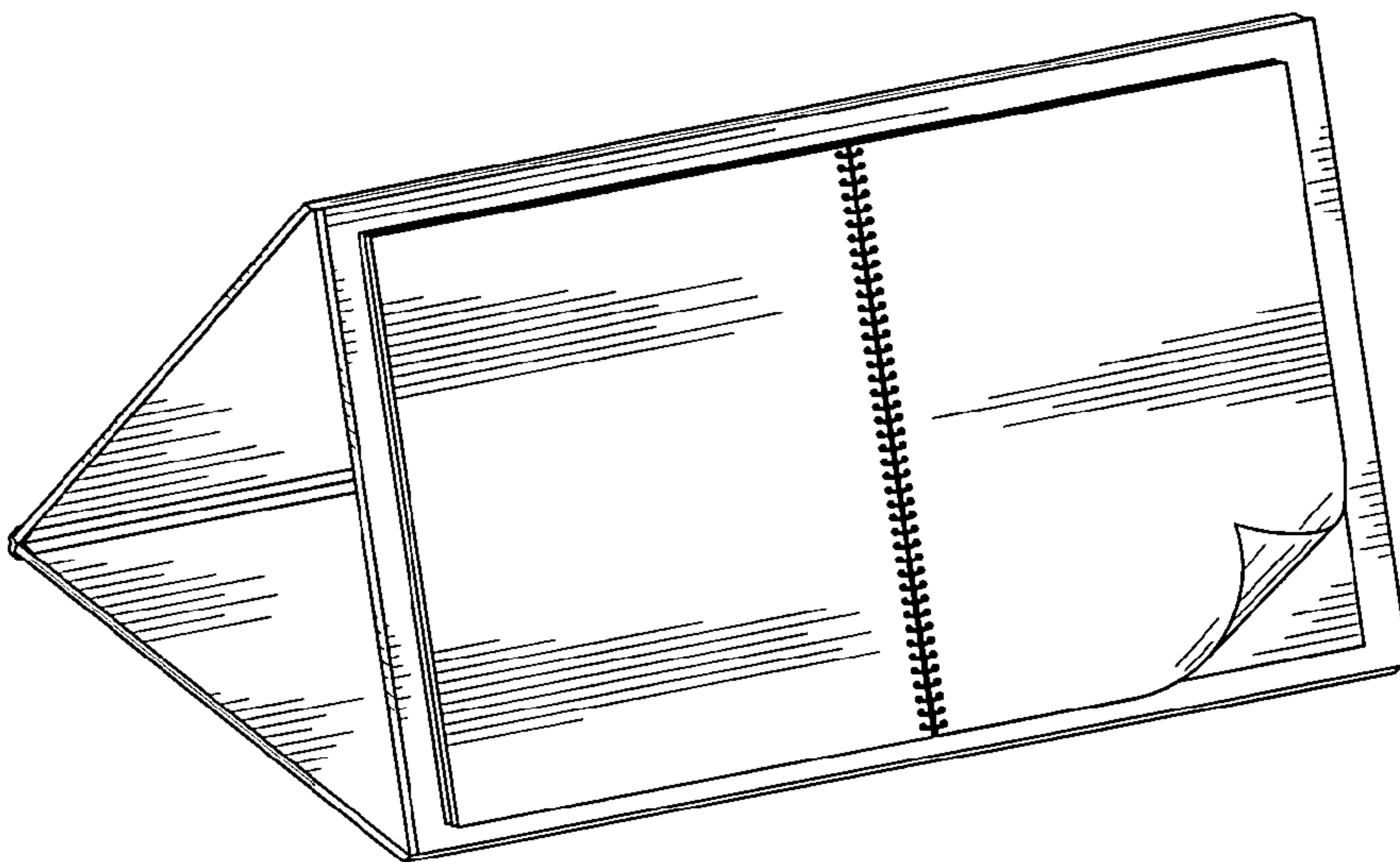


FIG. 4