

US00D544919S

(12) **United States Design Patent**  
**Roekens et al.**

(10) **Patent No.:** **US D544,919 S**  
(45) **Date of Patent:** **\*\* Jun. 19, 2007**

(54) **VENDING MACHINE**

(75) Inventors: **Jurgen Roekens**, Brussels (BE); **Hugo Smid**, Antwerp (BE)

(73) Assignee: **The Coca-Cola Company**, Atlanta, GA (US)

(\*\*) Term: **14 Years**

(21) Appl. No.: **29/245,307**

(22) Filed: **Dec. 20, 2005**

(30) **Foreign Application Priority Data**

Jul. 6, 2005 (EM) ..... 000370770-0001/0002

(51) **LOC (8) Cl.** ..... **20-01**

(52) **U.S. Cl.** ..... **D20/1**

(58) **Field of Classification Search** ..... D20/1-9,  
D20/99; D99/34-36, 28; 194/350, 212,  
194/205-206; 221/75, 92, 96-97, 125-128,  
221/133, 155, 195-196, 281, 284; 222/478,  
222/526; 312/114, 117, 124-125

See application file for complete search history.

(56) **References Cited**

**U.S. PATENT DOCUMENTS**

D145,609 S \* 9/1946 Bach ..... D20/3  
D151,952 S \* 12/1948 Babcock ..... D20/1  
D182,277 S \* 3/1958 Glepen ..... D20/5

D289,098 S \* 3/1987 Nishida ..... D20/1  
D325,746 S \* 4/1992 Cerf ..... D20/1  
D344,100 S \* 2/1994 Williams ..... D20/5  
D422,314 S \* 4/2000 Tandberg ..... D20/1  
D503,743 S \* 4/2005 Huffer et al. .... D20/1

\* cited by examiner

*Primary Examiner*—Stacia Cadmus

(74) *Attorney, Agent, or Firm*—Sutherland Asbill & Brennan LLP

(57) **CLAIM**

The ornamental design for a vending machine, as shown and described.

**DESCRIPTION**

FIG. 1 is a perspective view of our new vending machine;

FIG. 2 is a top view thereof;

FIG. 3 is a bottom view thereof;

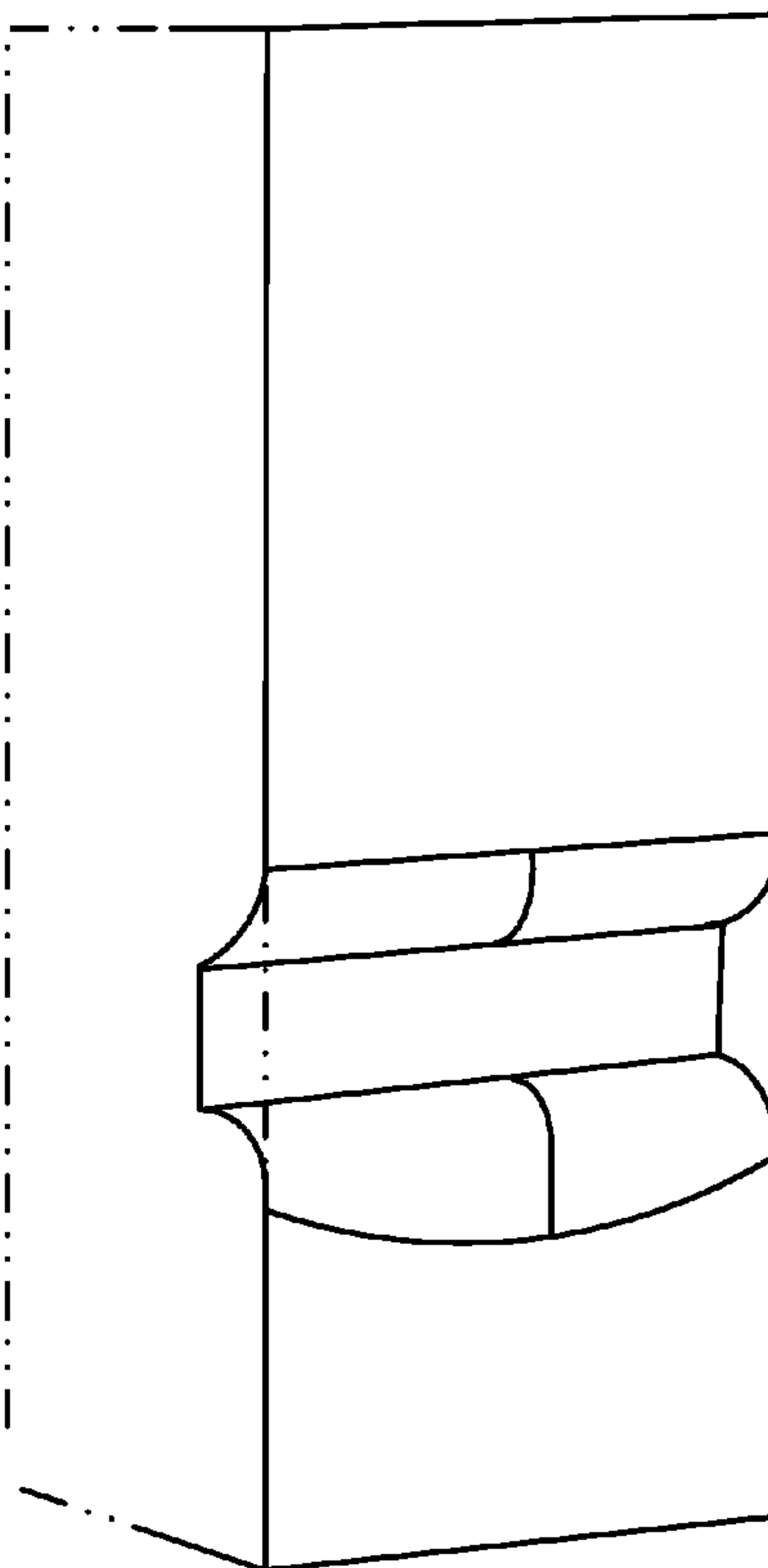
FIG. 4 is front view thereof;

FIG. 5 is right view thereof with the left side being a mirror image thereof; and,

FIG. 6 is back view thereof.

The dash dash broken lines shown in the drawings are for illustrative purposes only and form no part of the claimed design.

**1 Claim, 2 Drawing Sheets**



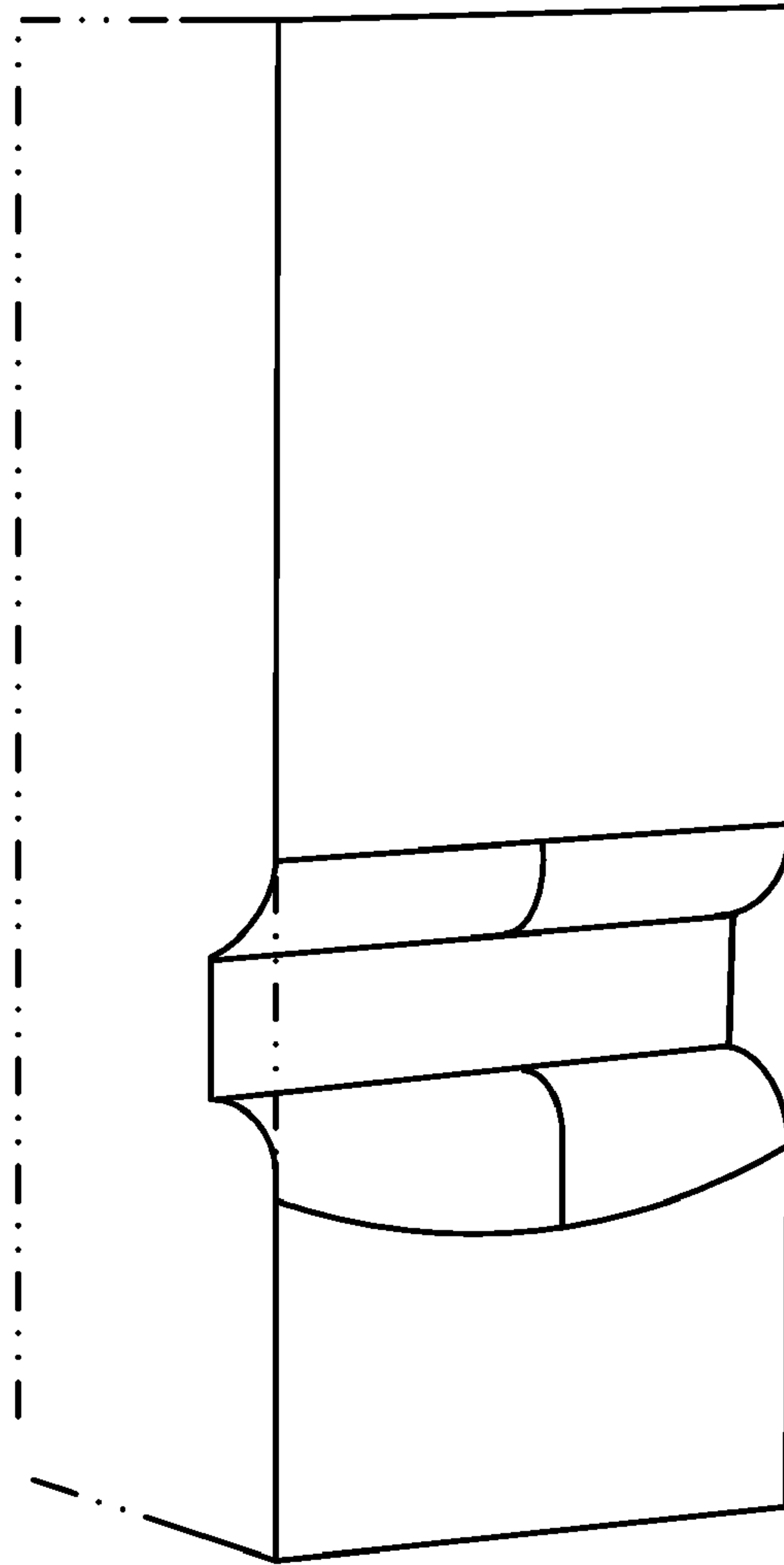


FIG. 1



FIG. 2

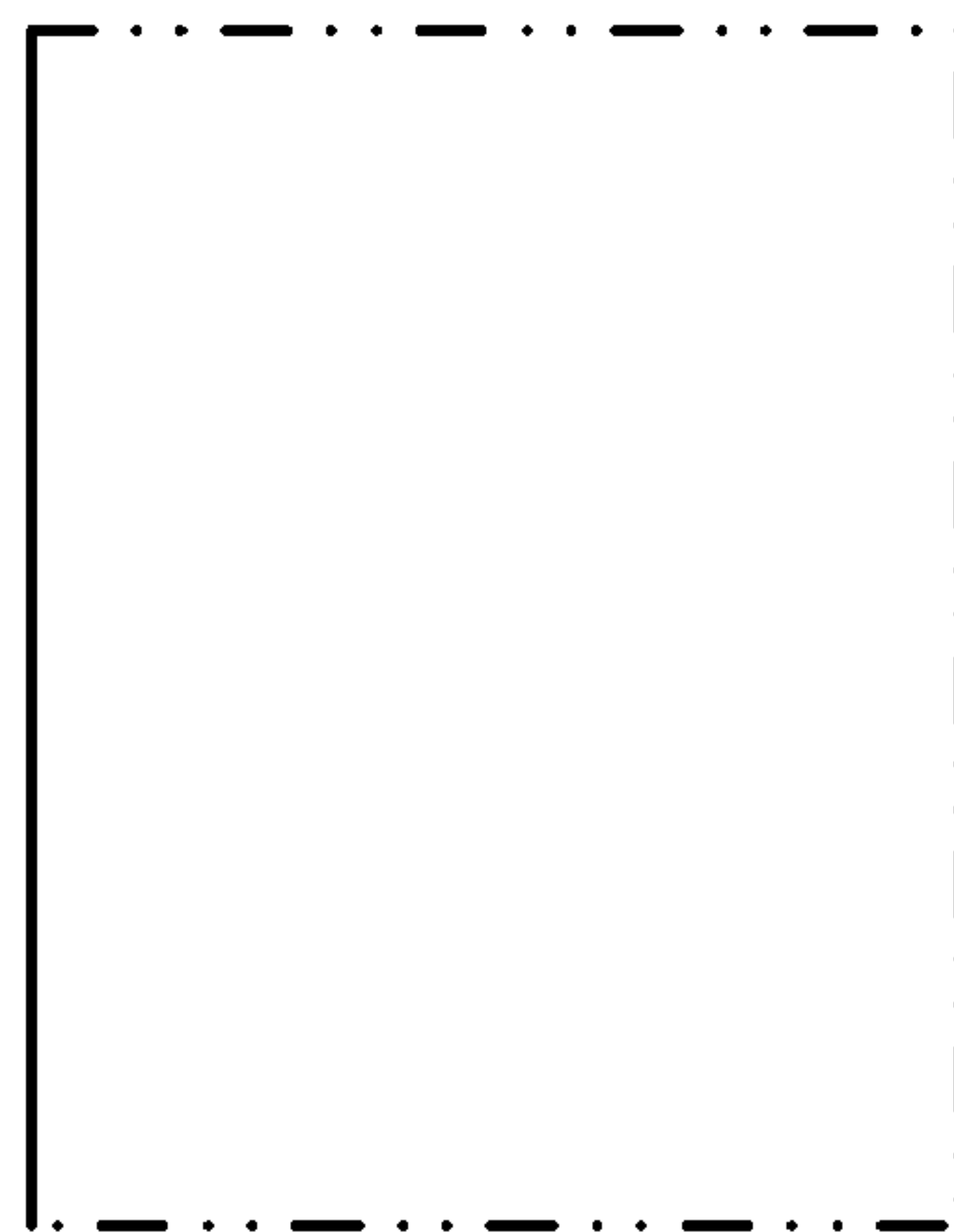


FIG. 3

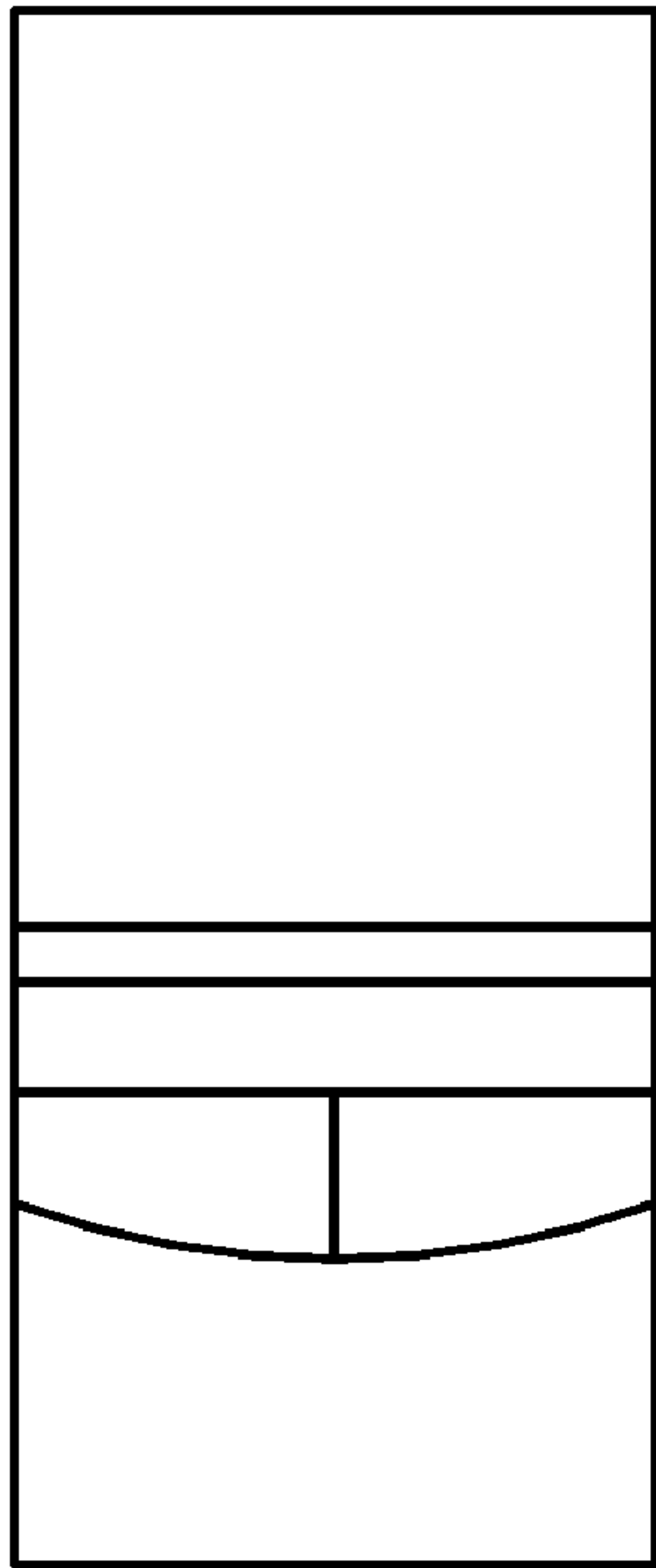


FIG. 4

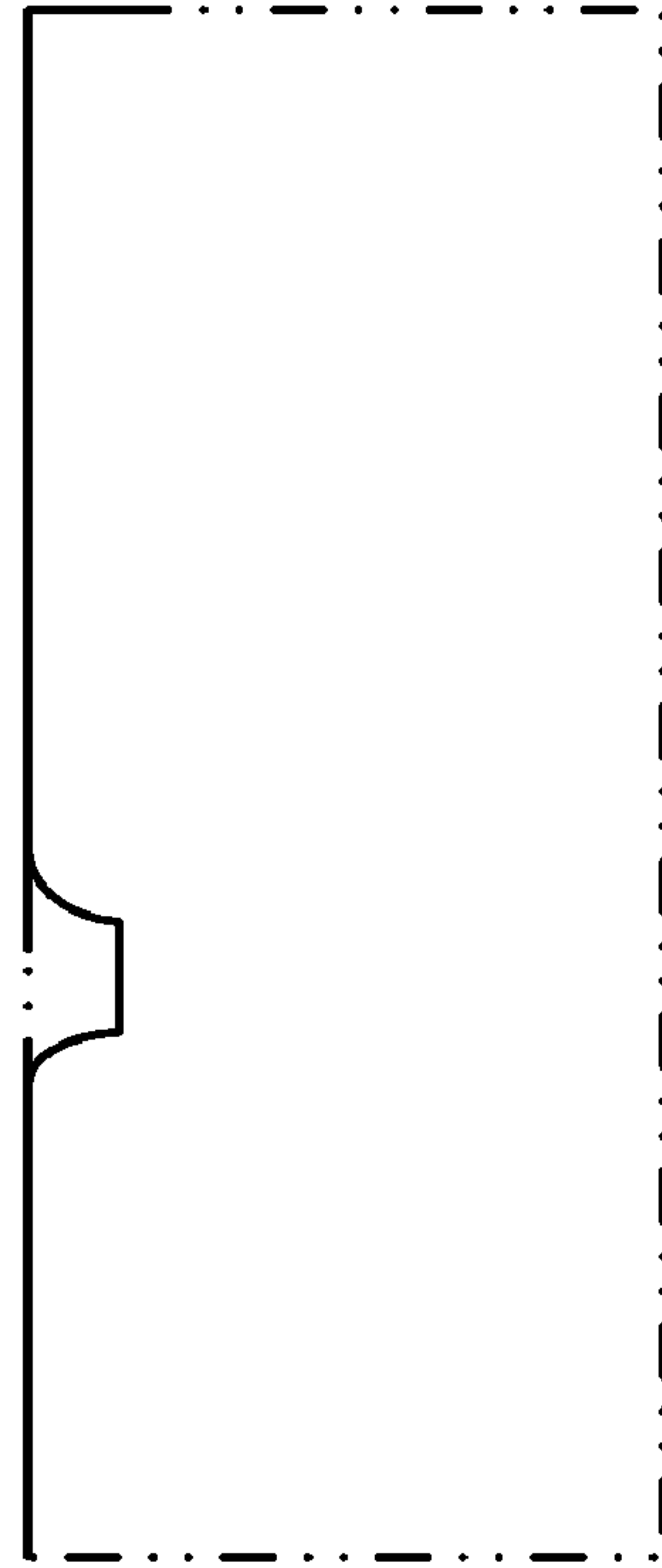


FIG. 5

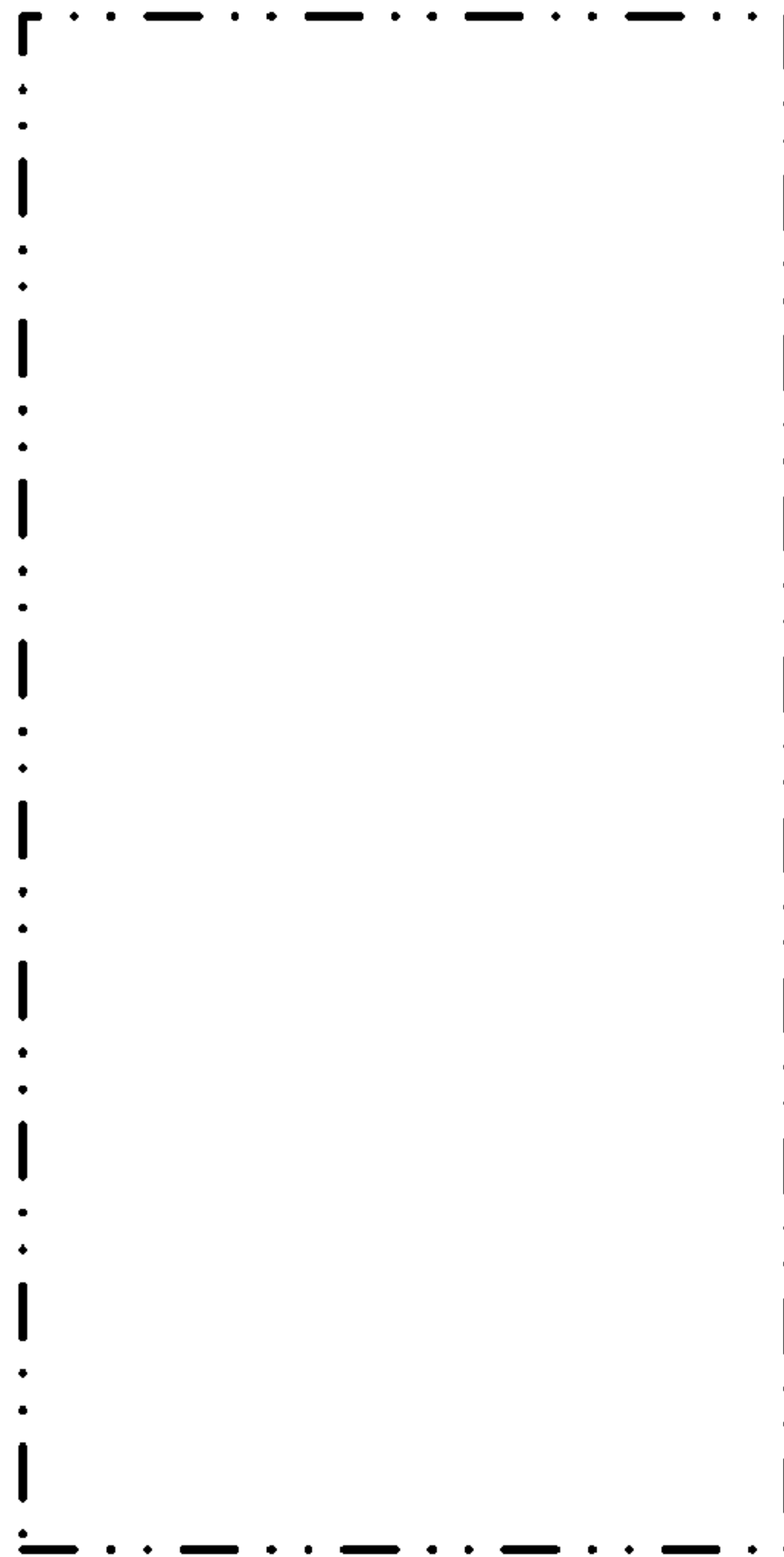


FIG. 6