



US00D544918S

(12) **United States Design Patent**
Kanbar

(10) **Patent No.:** **US D544,918 S**

(45) **Date of Patent:** **** Jun. 19, 2007**

(54) **MANUAL ROLL PAPER DISPENSER**

(76) Inventor: **Maurice S. Kanbar**, 2100 Jackson St.,
San Francisco, CA (US) 94115

(**) Term: **14 Years**

(21) Appl. No.: **29/238,757**

(22) Filed: **Sep. 20, 2005**

(51) **LOC (8) Cl.** **19-02**

(52) **U.S. Cl.** **D19/89**

(58) **Field of Classification Search** D6/512,
D6/518, 519, 520, 522; D19/67-69, 75,
D19/78, 86, 87, 89, 90, 91, 92; 206/215,
206/425, 449; 211/11, 45, 50, 126.16; 242/559,
242/560, 588.3, 588.4, 590
See application file for complete search history.

(56) **References Cited**

U.S. PATENT DOCUMENTS

813,128 A	2/1906	Williams	
1,240,279 A	9/1917	Wilson	
1,572,063 A	2/1926	Black	
D84,067 S	5/1931	Albritton	
2,331,019 A	10/1943	Flood	
D151,072 S	9/1948	Saffert	
2,495,389 A	1/1950	Sammann	101/288
D162,059 S	2/1951	Morris	
2,566,733 A	9/1951	Krueger	164/84.5
2,617,198 A	11/1952	Sharpe	33/131
D175,761 S *	10/1955	Collins	D19/69
D181,269 S	10/1957	Axccl	
3,065,889 A	11/1962	Grosser	225/8
3,507,428 A	4/1970	Leibreich	225/11
3,516,615 A	6/1970	Wickenberg	
3,626,491 A	12/1971	Grosser	225/11
3,730,409 A	5/1973	Ratti	225/14
D230,637 S	3/1974	Clement	
D249,352 S	9/1978	Kirchhoff	
4,327,875 A	5/1982	Lightfoot	
D273,644 S	5/1984	Colavito et al.	
D281,614 S *	12/1985	Carpenter et al.	D19/90
4,625,901 A	12/1986	Adelizi	225/1
4,630,765 A	12/1986	Samuleson et al.	225/96

4,646,956 A	3/1987	Ruff et al.	225/77
4,676,131 A	6/1987	Cassia	
D291,327 S *	8/1987	Drake et al.	D6/635
D308,891 S	6/1990	Harris	

(Continued)

FOREIGN PATENT DOCUMENTS

JP 2002238800 8/2002

(Continued)

OTHER PUBLICATIONS

Print Inform GmgH & Co., a Germany company, 3 photographs of
Hand Held Roll Note Dispenser, offered for sale in 1990, pp. 1-3.

(Continued)

Primary Examiner—Elizabeth A. Albert
(74) *Attorney, Agent, or Firm*—Drinker Biddle & Reath LLP

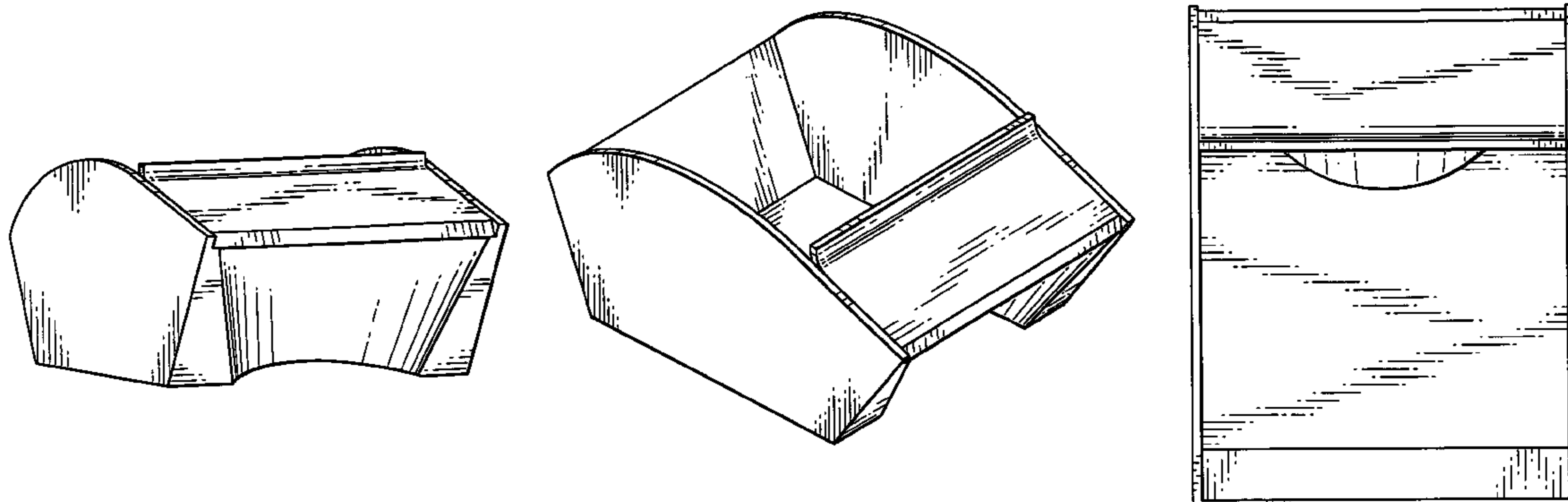
(57) **CLAIM**

The ornamental design for a manual roll paper dispenser, as
shown and described.

DESCRIPTION

FIG. 1 is a perspective view of the manual roll paper
dispenser, as viewed from the front;
FIG. 2 is a perspective view of the manual roll paper
dispenser, as viewed from the top;
FIG. 3 is an elevational view of one side of the manual roll
paper dispenser, the opposite side being a mirror image
thereof;
FIG. 4 is a top plan view of the manual roll paper dispenser;
FIG. 5 is a bottom plan view of the manual roll paper
dispenser;
FIG. 6 is a rear elevational view of the manual roll paper
dispenser; and,
FIG. 7 is a front elevational view of the manual roll paper
dispenser.

1 Claim, 3 Drawing Sheets



US D544,918 S

Page 2

U.S. PATENT DOCUMENTS

4,989,801 A 2/1991 Thomas et al.
D325,394 S 4/1992 Ishii
D327,192 S 6/1992 Geuvjehizian
D329,464 S 9/1992 Hu
5,370,916 A 12/1994 Olsen 428/40
5,417,783 A 5/1995 Boreali et al. 156/64
5,452,832 A 9/1995 Niada
D364,645 S 11/1995 Koch
D365,369 S 12/1995 Koch
5,478,000 A 12/1995 Jensen 225/93
5,540,369 A 7/1996 Boreali et al. 225/4
5,549,232 A 8/1996 Scholfield
D395,547 S * 6/1998 Sussman D3/302
5,904,283 A 5/1999 Kanbar 225/10
D414,208 S * 9/1999 Eddy et al. D19/76

D422,312 S * 4/2000 Bronwasser D19/69
6,210,768 B1 4/2001 Blok et al. 428/41.8
6,412,655 B1 7/2002 Stuetzel et al.
D481,944 S * 11/2003 Kotto D9/431
6,745,927 B2 6/2004 Formon et al.
6,892,620 B2 5/2005 Kapiloff
6,895,848 B1 5/2005 Svensson

FOREIGN PATENT DOCUMENTS

JP 2002274716 9/2002

OTHER PUBLICATIONS

Z-International Roll Notes Web Page showing products known to be publicly available prior to Sep. 2005, pp. 1-2.

* cited by examiner

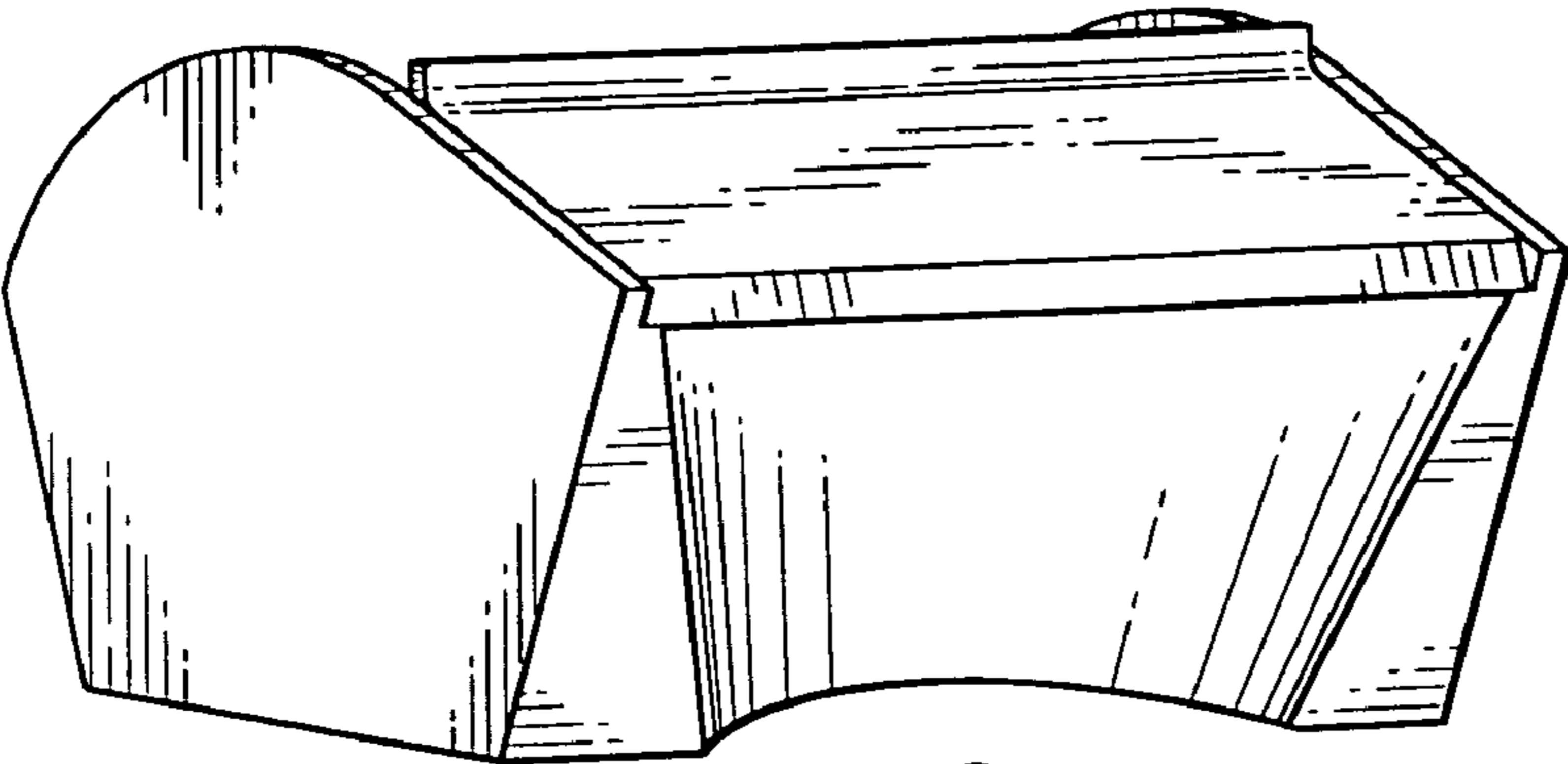


FIG. 1

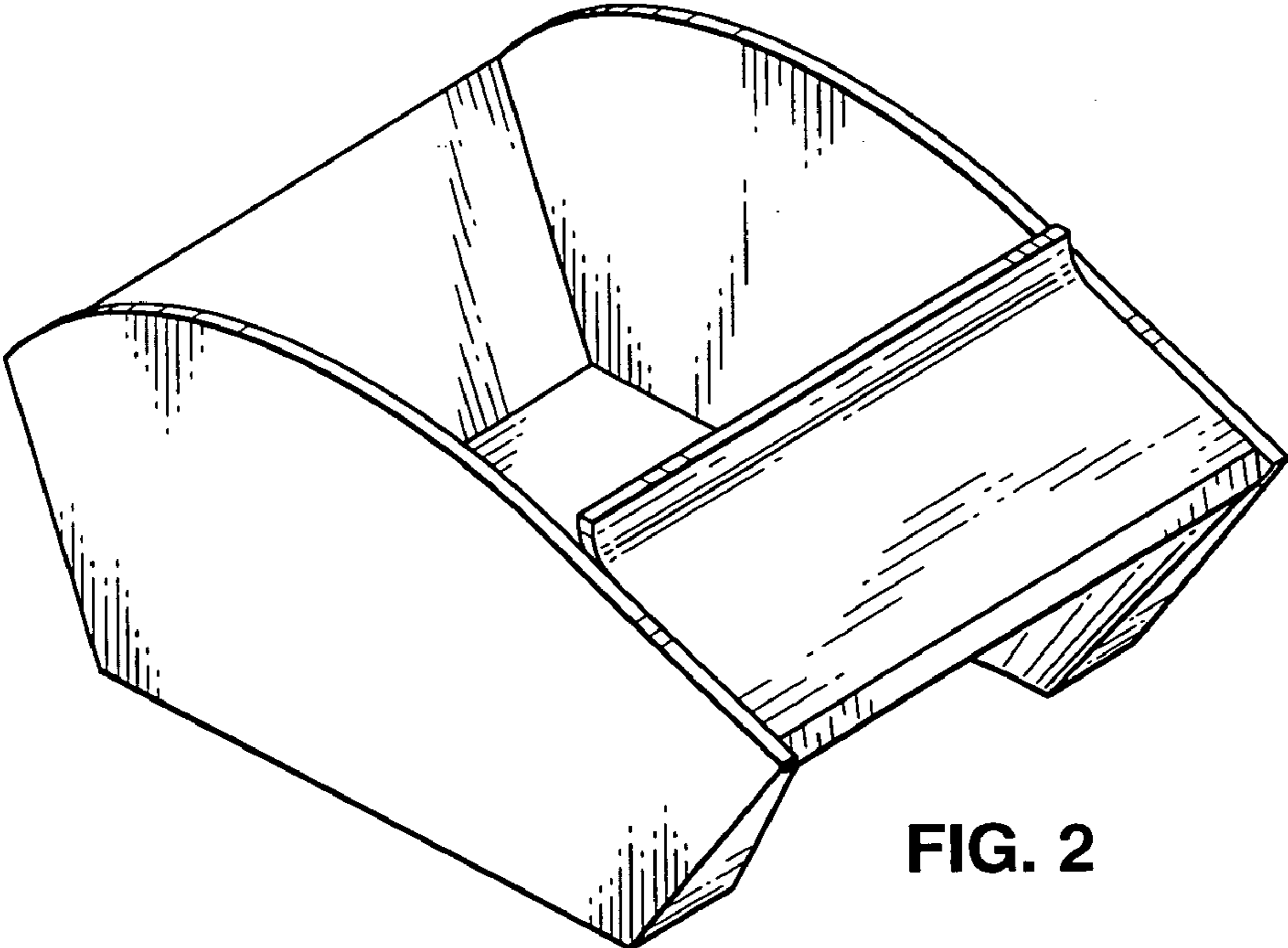


FIG. 2

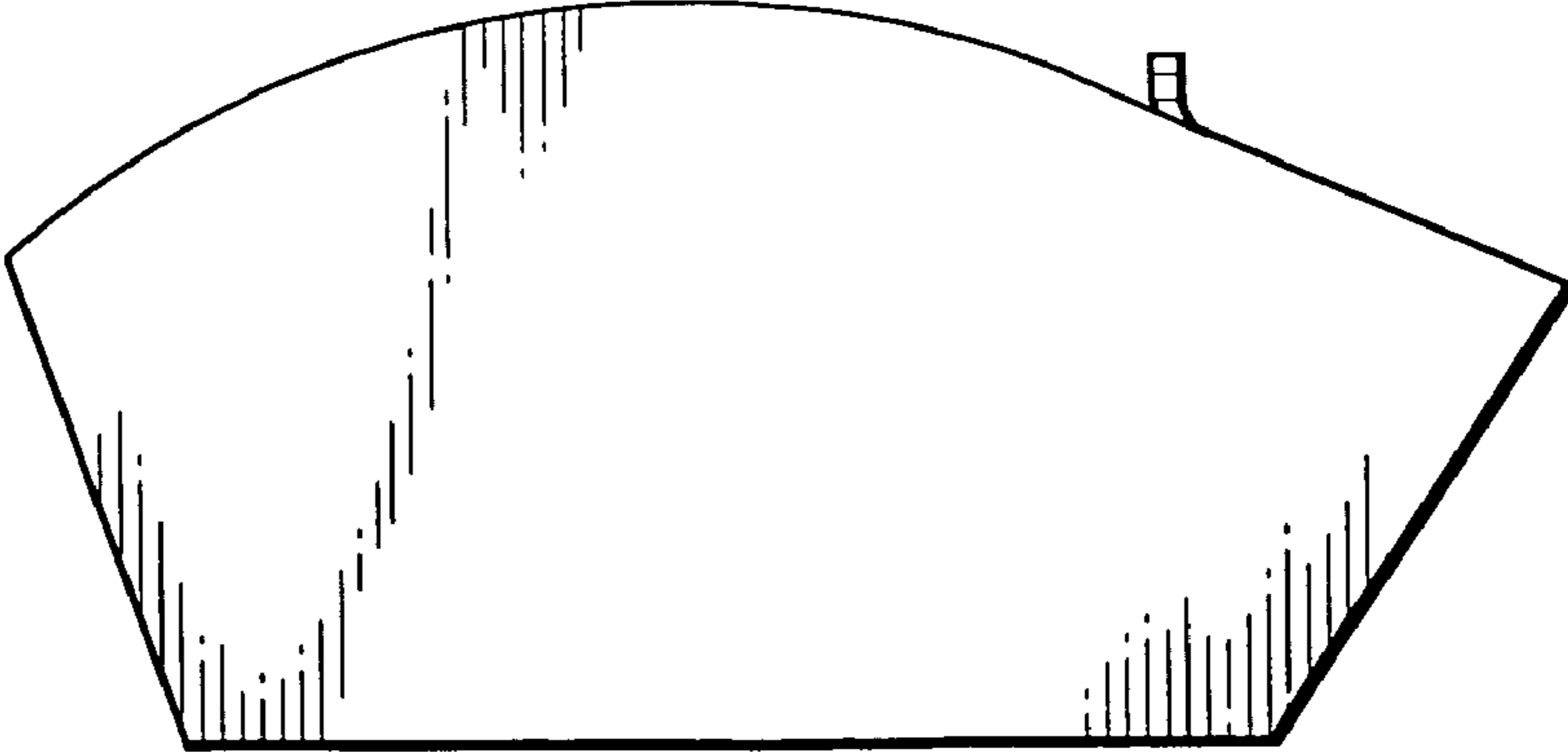


FIG. 3

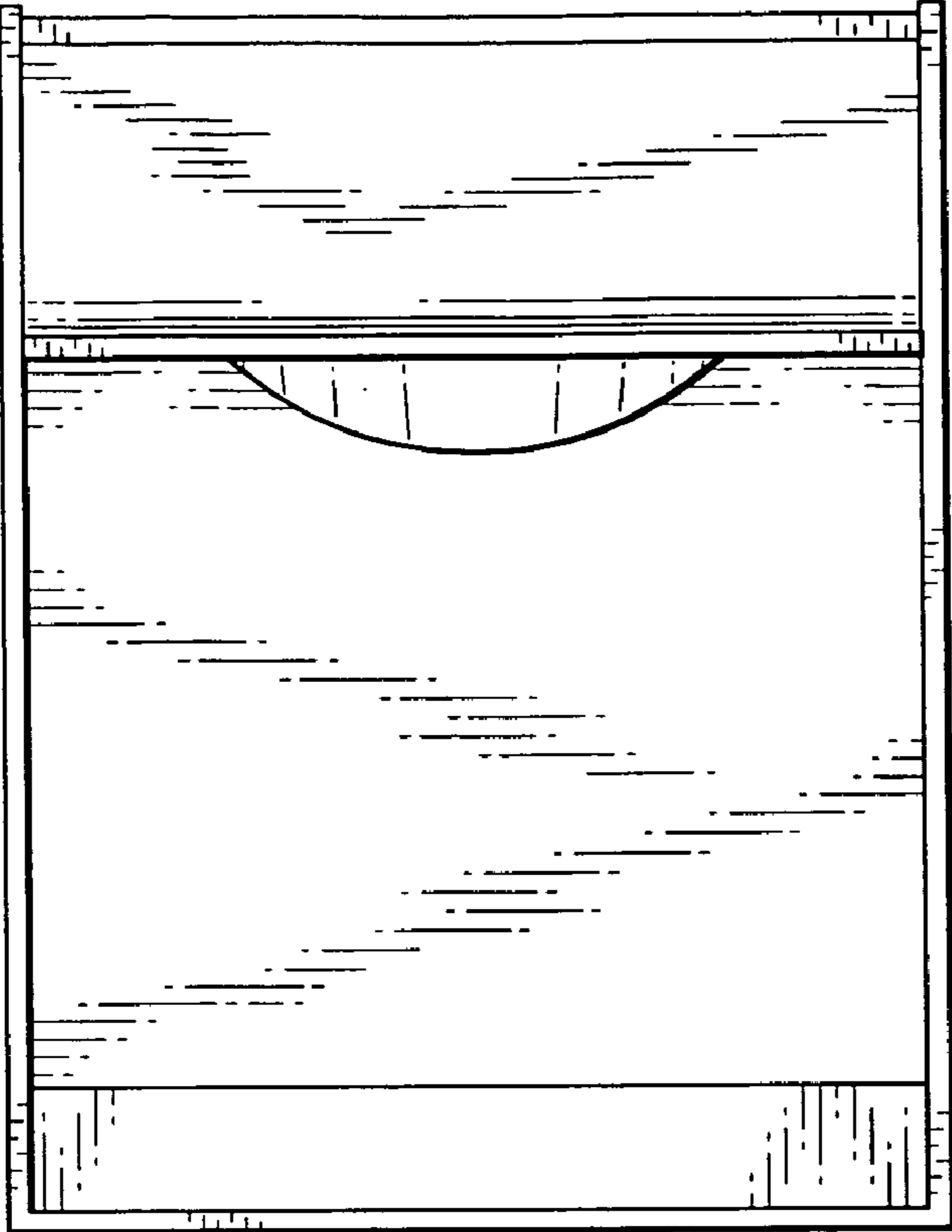


FIG. 4

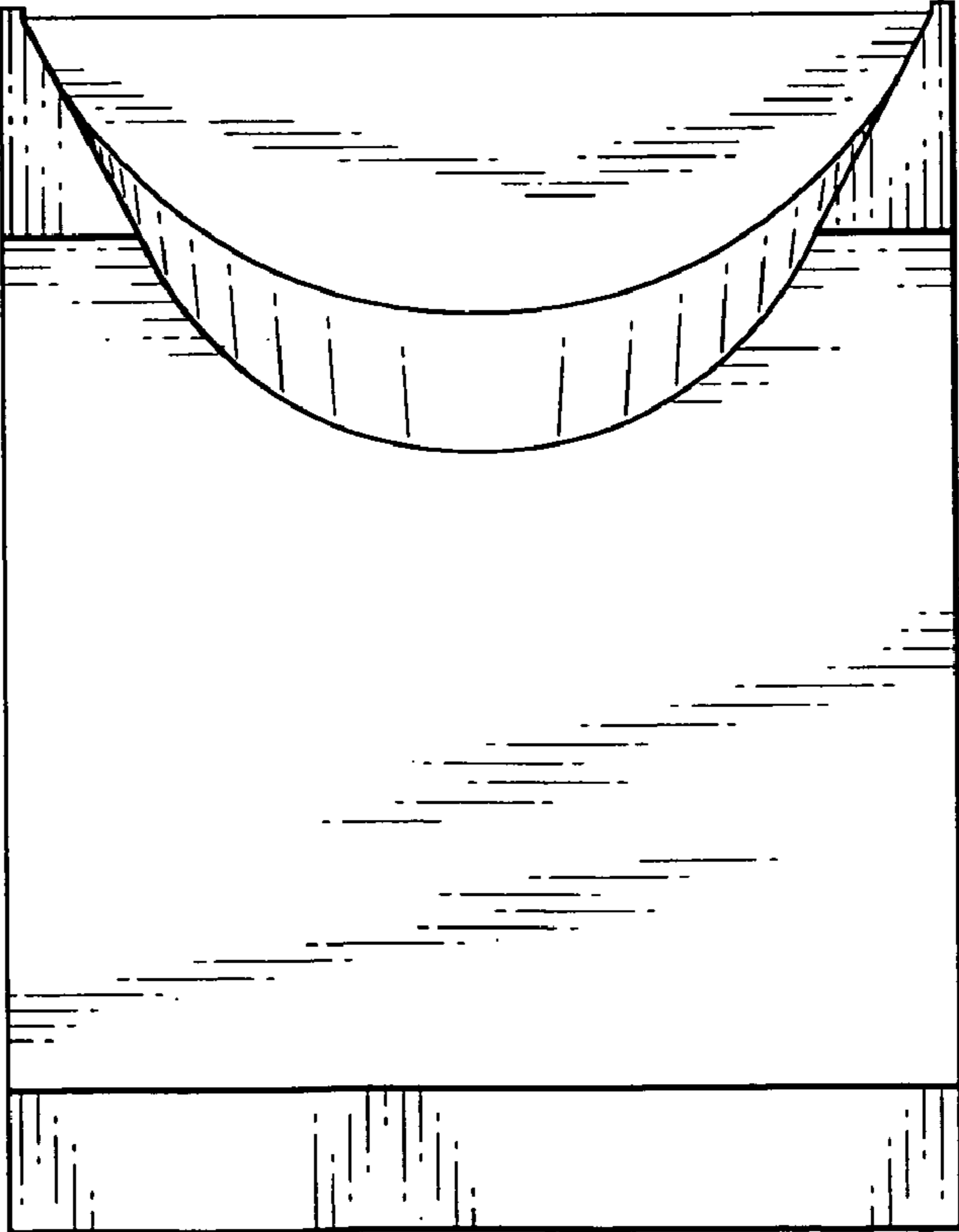


FIG. 5

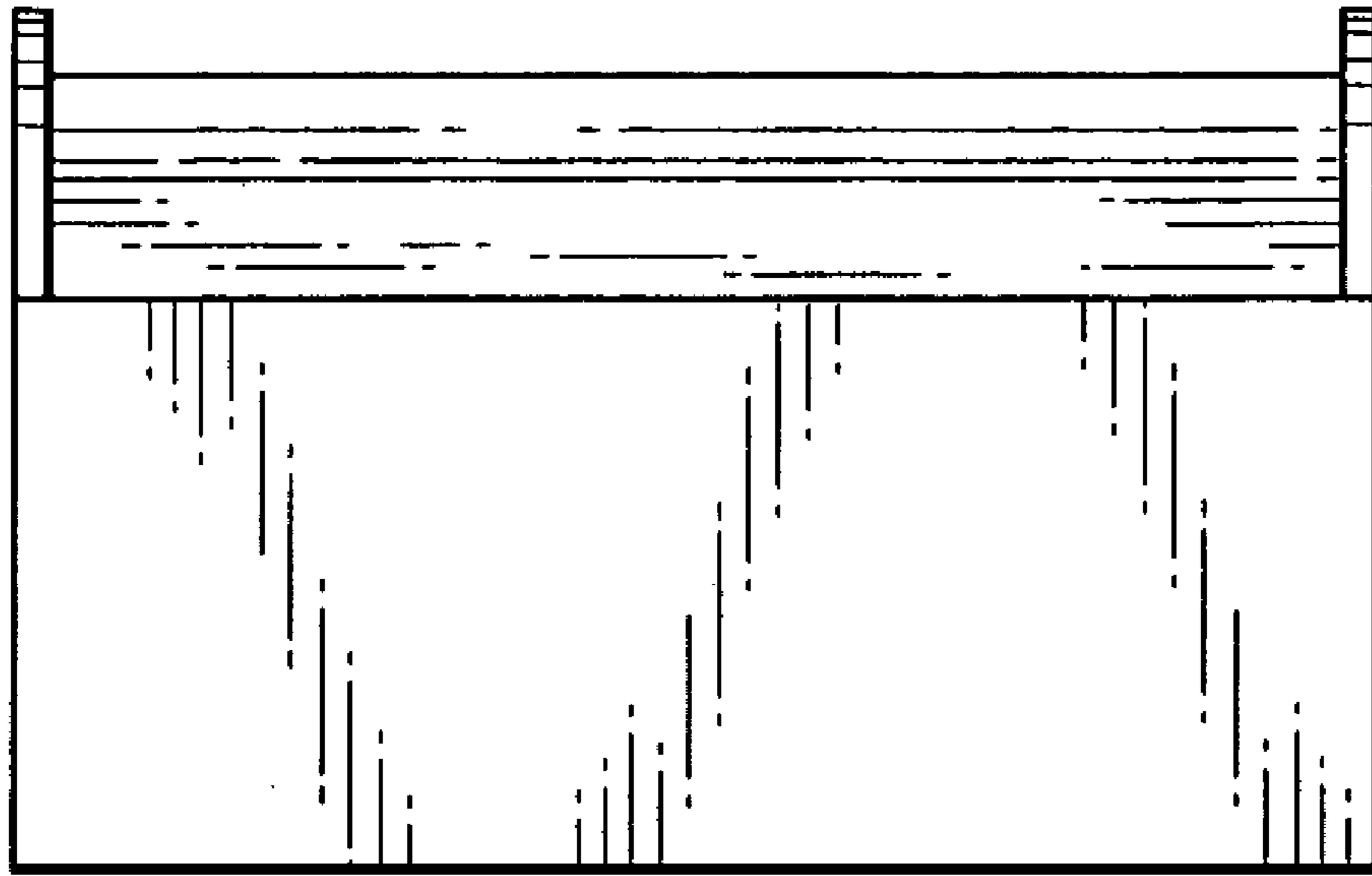


FIG. 6

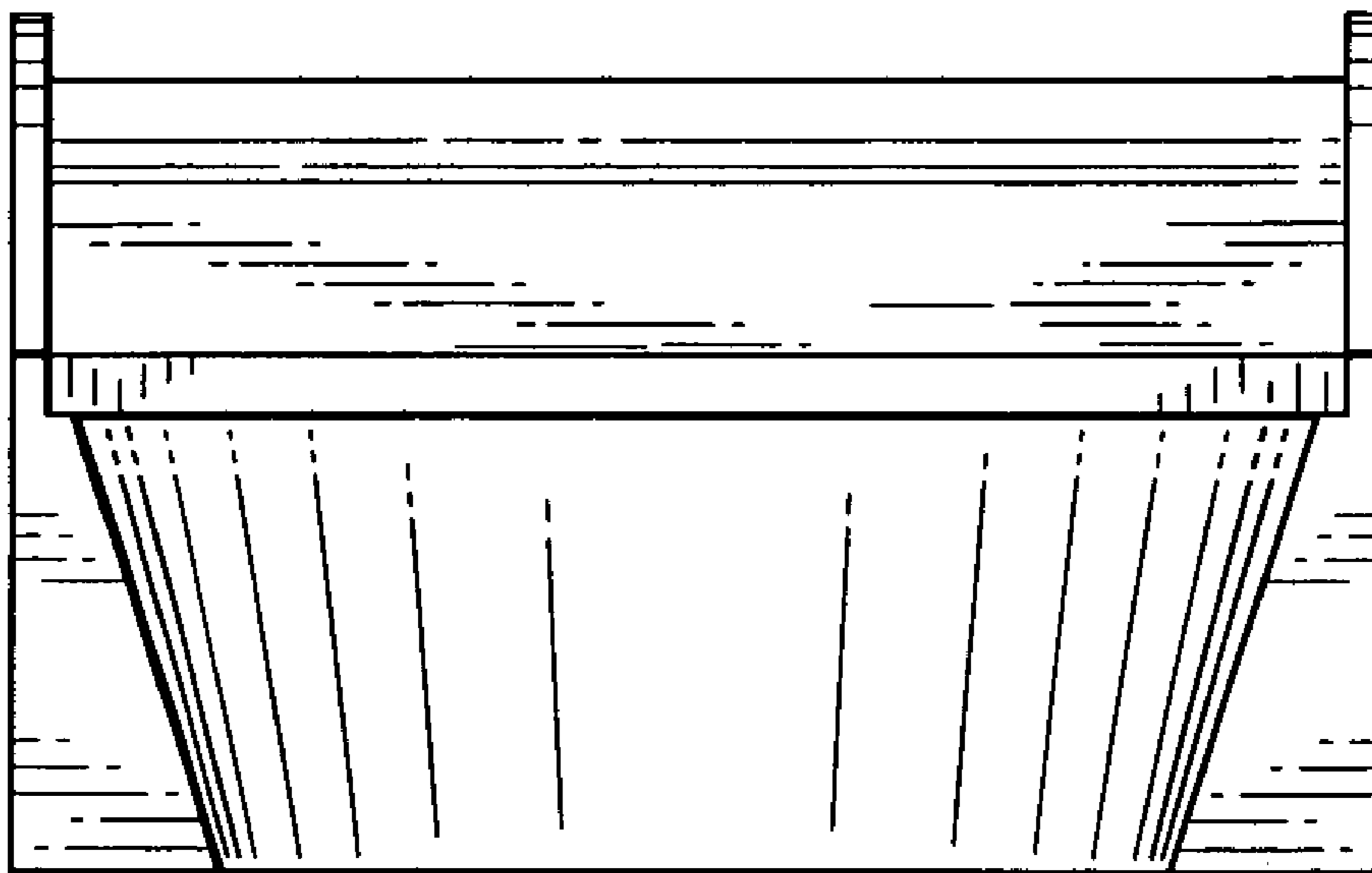


FIG. 7