



US00D544916S

(12) **United States Design Patent**
Vazquez Gastellu

(10) **Patent No.:** **US D544,916 S**
(45) **Date of Patent:** **** Jun. 19, 2007**

(54) **THREE-DIMENSIONAL DIDACTIC TOY**

(75) Inventor: **Alma Rosa Vazquez Gastellu**, Morelos (MX)

(73) Assignee: **Abastecedora Rimova S.A. de C.V.**, Del. Alvaro Obregon (MX)

(**) Term: **14 Years**

(21) Appl. No.: **29/241,093**

(22) Filed: **Oct. 24, 2005**

(51) **LOC (8) Cl.** **19-07**

(52) **U.S. Cl.** **D19/64**

(58) **Field of Classification Search** D19/59-64;
D21/336, 372; 434/188, 195, 208, 211, 214,
434/283, 291

See application file for complete search history.

(56) **References Cited**

U.S. PATENT DOCUMENTS

1,981,646	A *	11/1934	Hamley	434/211
D184,396	S *	2/1959	Jenkins	D19/59
5,660,387	A *	8/1997	Stokes	434/211
D388,826	S *	1/1998	Jones-Fenleigh et al.	D19/59
D426,265	S *	6/2000	Black	D19/59
6,813,841	B1 *	11/2004	Ramsey	D19/59

* cited by examiner

Primary Examiner—Louis Zarfaz

Assistant Examiner—Mark Cavanna

(74) *Attorney, Agent, or Firm*—Egbert Law Offices

(57) **CLAIM**

I claim the ornamental design for a three-dimensional didactic toy, as shown and described.

DESCRIPTION

FIG. 1 is a front view of a three-dimensional didactic toy showing my new design with the external case shown separately for clarity of illustration;

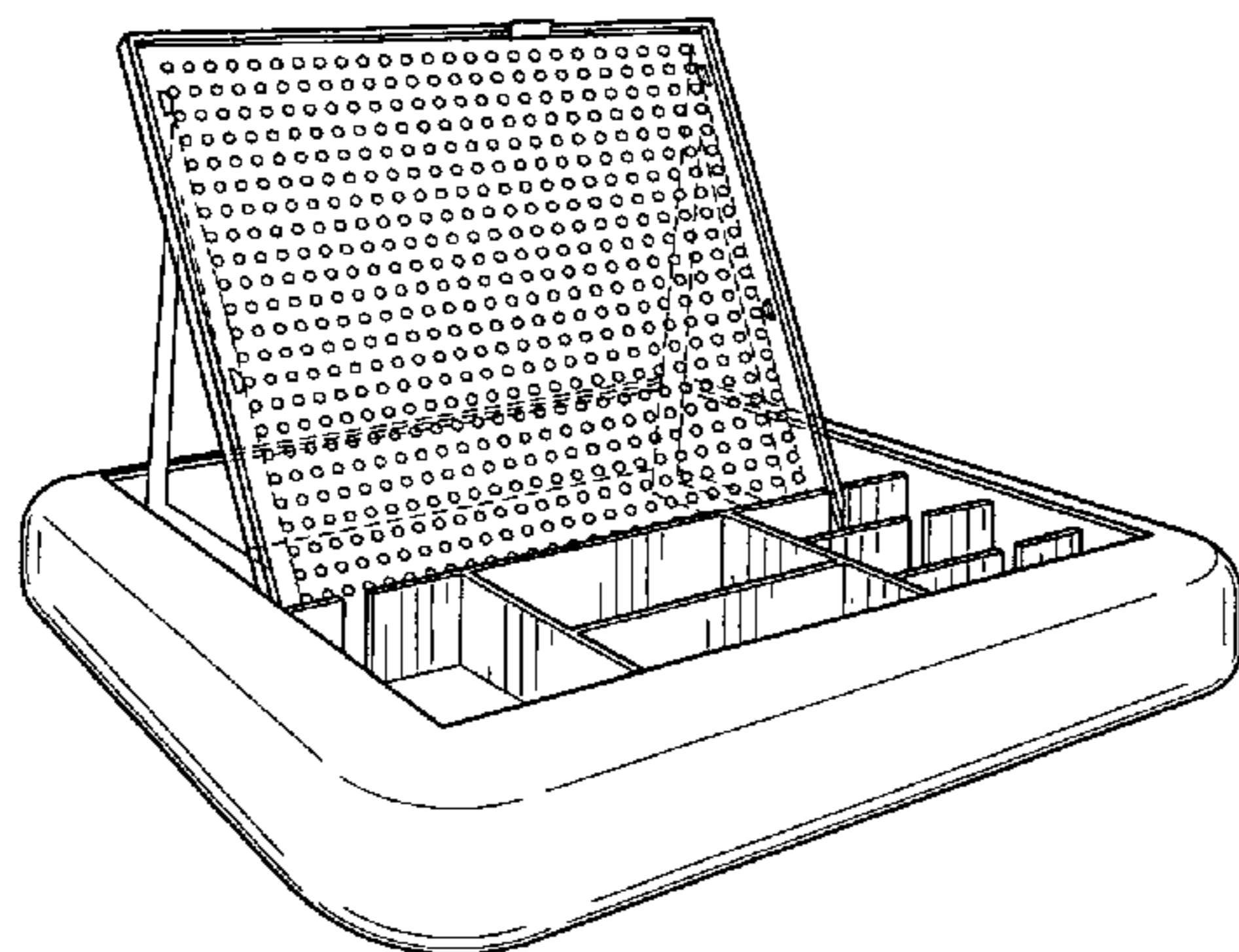


FIG. 2 is a side view of the external case with the opposite side being a mirror image thereof;

FIG. 3 is a back view of the external case thereof;

FIG. 4 is top view of the external case thereof;

FIG. 5 is a greatly enlarged front view of a cover piece shown separately for clarity of illustration;

FIG. 6 is a side view of a cover piece with the opposite side being a mirror image thereof;

FIG. 7 is an exploded perspective view showing the external case and plastic cover;

FIG. 8 is another slightly enlarged perspective view, showing unornamented flat play board panel of conventional thickness installed over the plastic cover and external case;

FIG. 9 is a greatly enlarged side view of a plastic bracket shown separately for clarity of illustration with the opposite side being a mirror image thereof;

FIG. 10 is a greatly enlarged side view of a bracket with the opposite side view being a mirror image thereof;

FIG. 11 is a perspective view showing the cover and brackets installed on the external case;

FIG. 12 is an exploded perspective view with an enlarged and isolated perspective view of a frame piece being formed of stick pieces and square end pieces shown assembled for clarity of illustration;

FIG. 13 is an enlarged front view of a stick piece;

FIG. 14 is an enlarged top view of a square end piece;

FIG. 15 is an enlarged side view of a frame piece being formed of stick pieces and square end pieces thereof;

FIG. 16 is another perspective view showing a frame piece, an unornamented flat play board panel of conventional thickness, over the plastic cover and external case in condition of use;

FIG. 17 is another perspective view showing a frame piece, play board, cover and external case with elastic connecting band elements shown in broken lines forming no part of the claimed design;

FIG. 18 is another perspective view showing a frame piece with the elastic connecting band elements shown in broken lines forming no part of the claimed design;

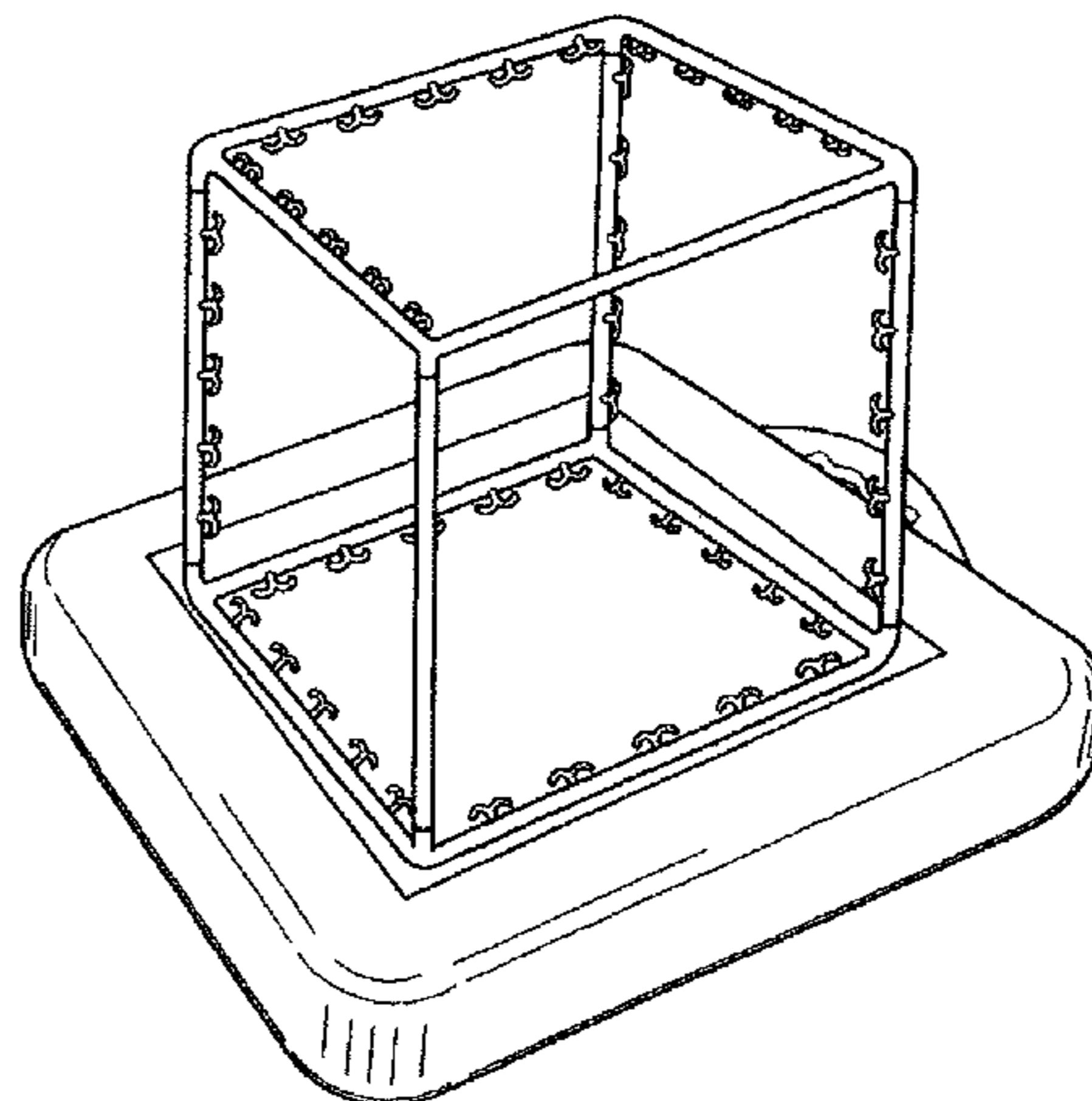


FIG. 19 is extremely enlarged front view of a hook piece;
FIG. 20 is a greatly enlarged partial perspective view showing the connection of the frame piece to the plastic cover with a hook piece;

FIG. 21 is an enlarged front view of the offset ruler piece;

FIG. 22 is an end view thereof;

FIG. 23 is a side view thereof;

FIG. 24 is an enlarged front view of the flat ruler piece

FIG. 25 is end view thereof;

FIG. 26 is a side view thereof;

FIG. 27 is a greatly enlarged partial perspective view perspective view of the connection of the flat ruler piece and the cover piece;

FIG. 28 is an extremely enlarged front view of the pin piece;

FIG. 29 is a top view thereof with raised numerical indicia shown in broken lines and forming no part of the claimed design;

FIG. 30 is an extremely enlarged front view of the peg piece;

FIG. 31 is a top view of the flat and offset ruler piece with an unornamented paper grid of conventional thickness attached to the plastic cover shown in condition of use;

FIG. 32 is a top view of the flat and offset ruler piece with an unornamented transparent film of conventional thickness attached to the plastic cover shown in condition of use;

FIG. 33 is a top view of the flat and offset ruler piece attached to the plastic cover with a pin and peg piece shown in condition of use. The like pin pieces and indicia shown in broken lines are for illustrative purposes only and form no part of the claimed design.

FIG. 34 is a top view of the flat and offset ruler piece attached to the plastic cover with a pin and peg piece and elastic strand connecting elements shown in condition of use. The like pin pieces, elastic strand elements and indicia shown in broken lines are for illustrative purposes only and form no part of the claimed design; and,

FIG. 35 is an illustrative view showing the connection of the elastic strand element beginning at pin going around a peg and ending at a another pin with an enlarged and isolated side view of a pin for clarity of illustration. The like pin piece, elastic strand element and indicia shown in broken lines are for illustrative purposes only and form no part of the claimed design.

1 Claim, 16 Drawing Sheets

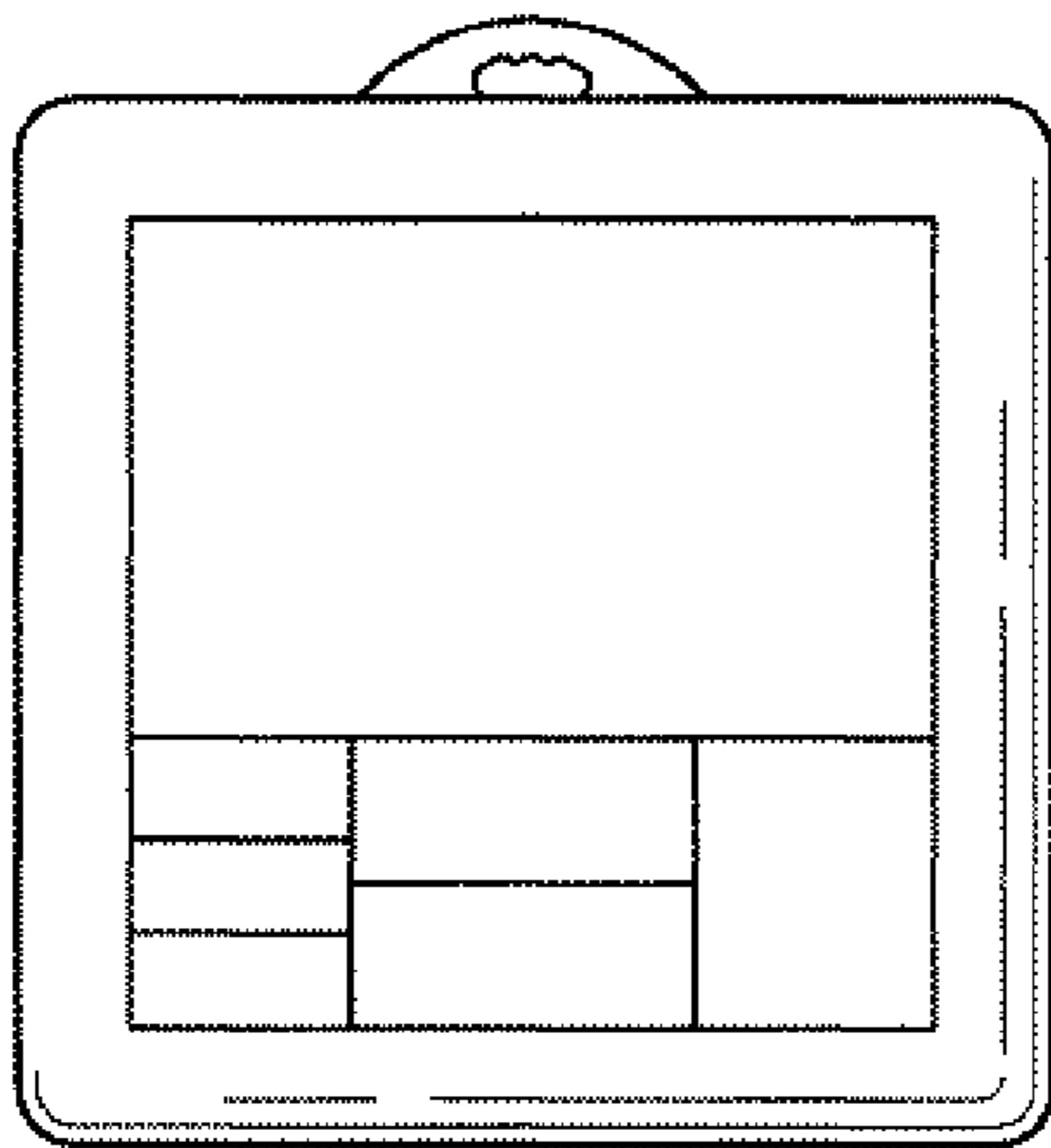


Fig. 1



Fig. 2

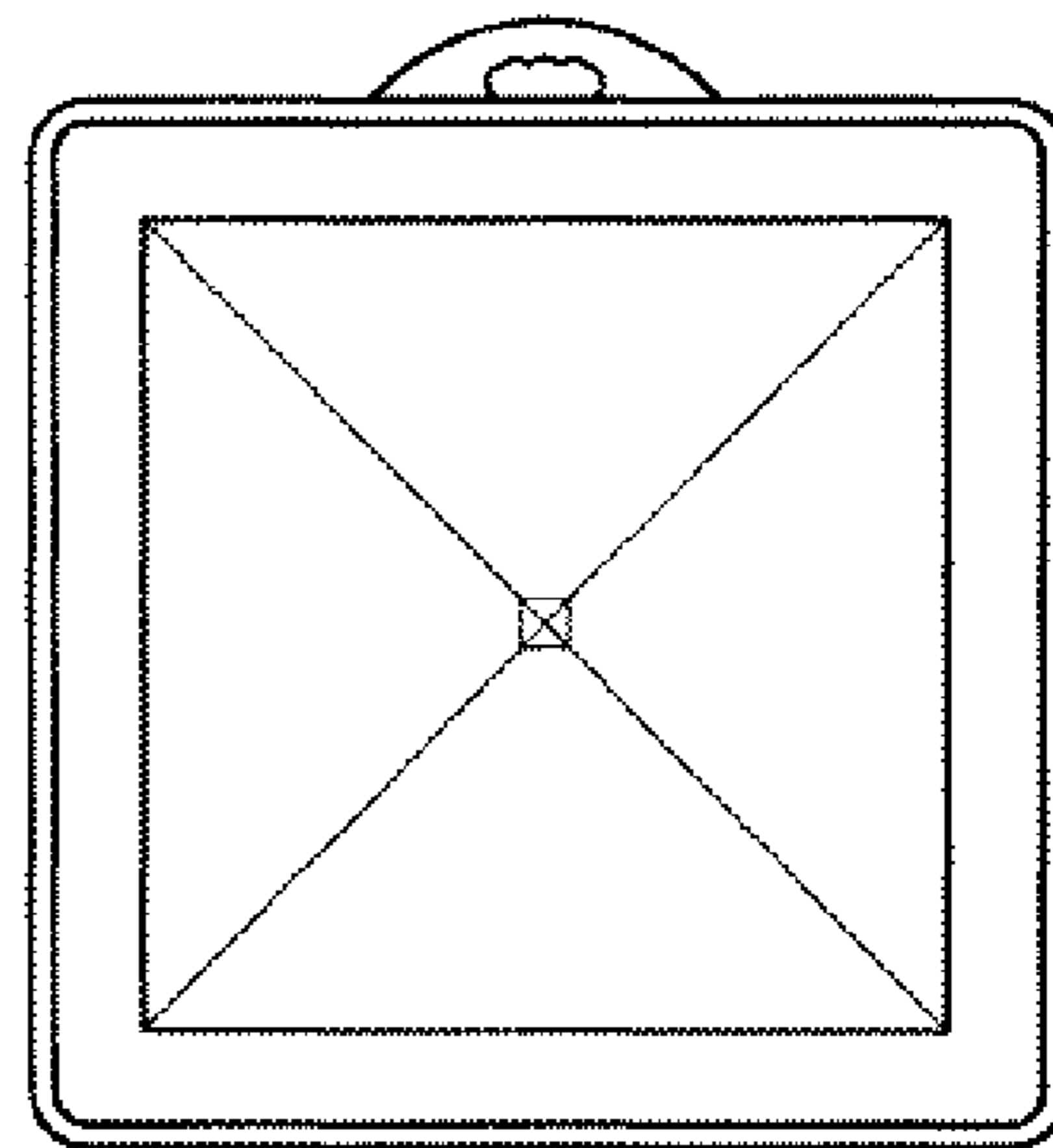


Fig. 3

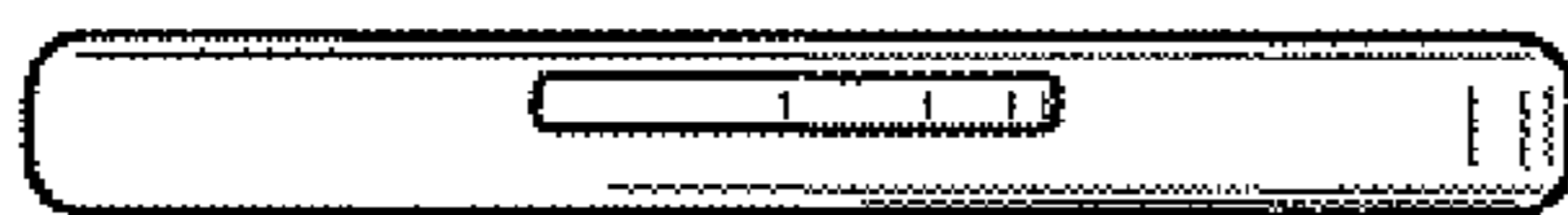


Fig. 4

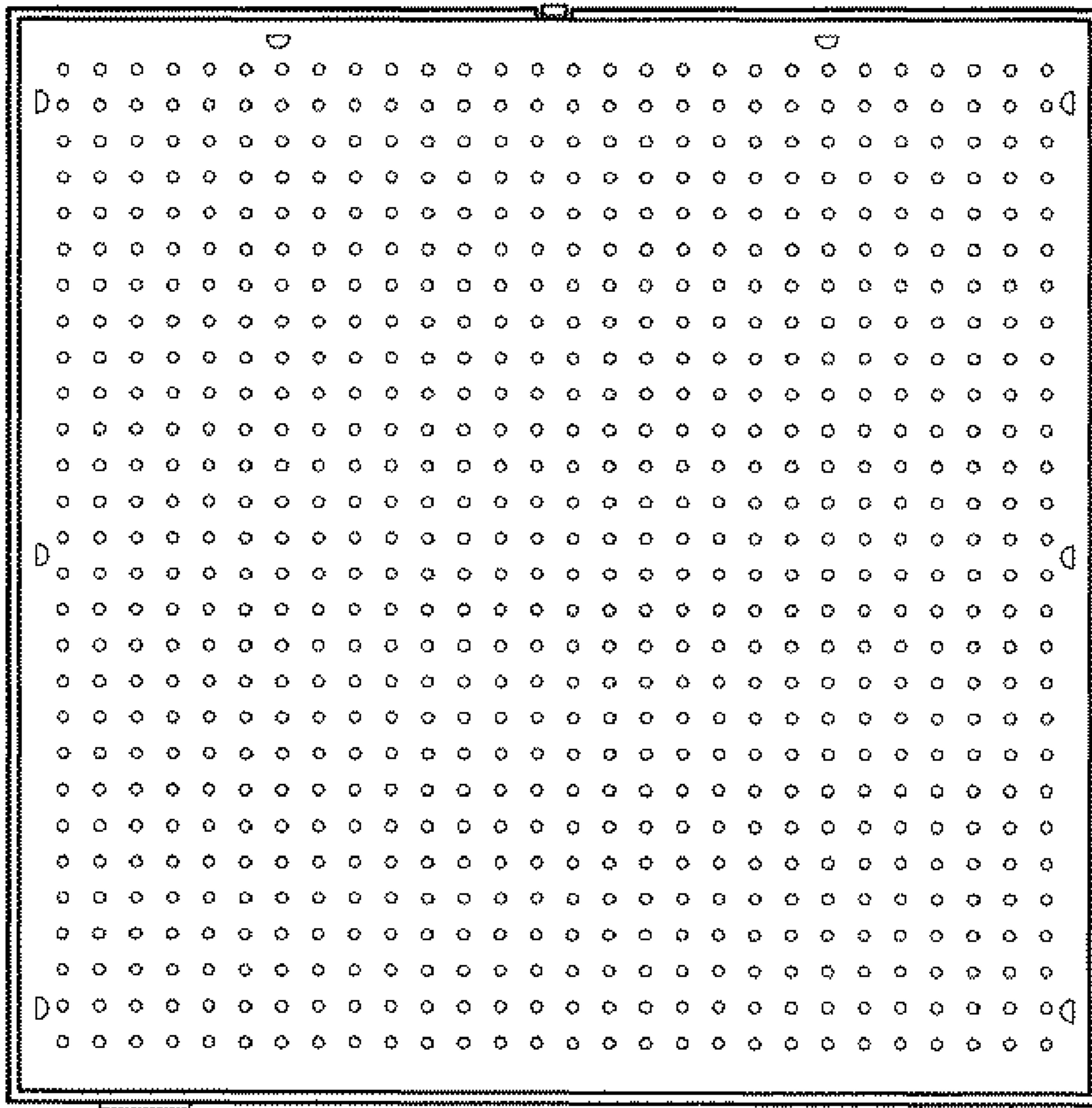


Fig. 5



Fig. 6

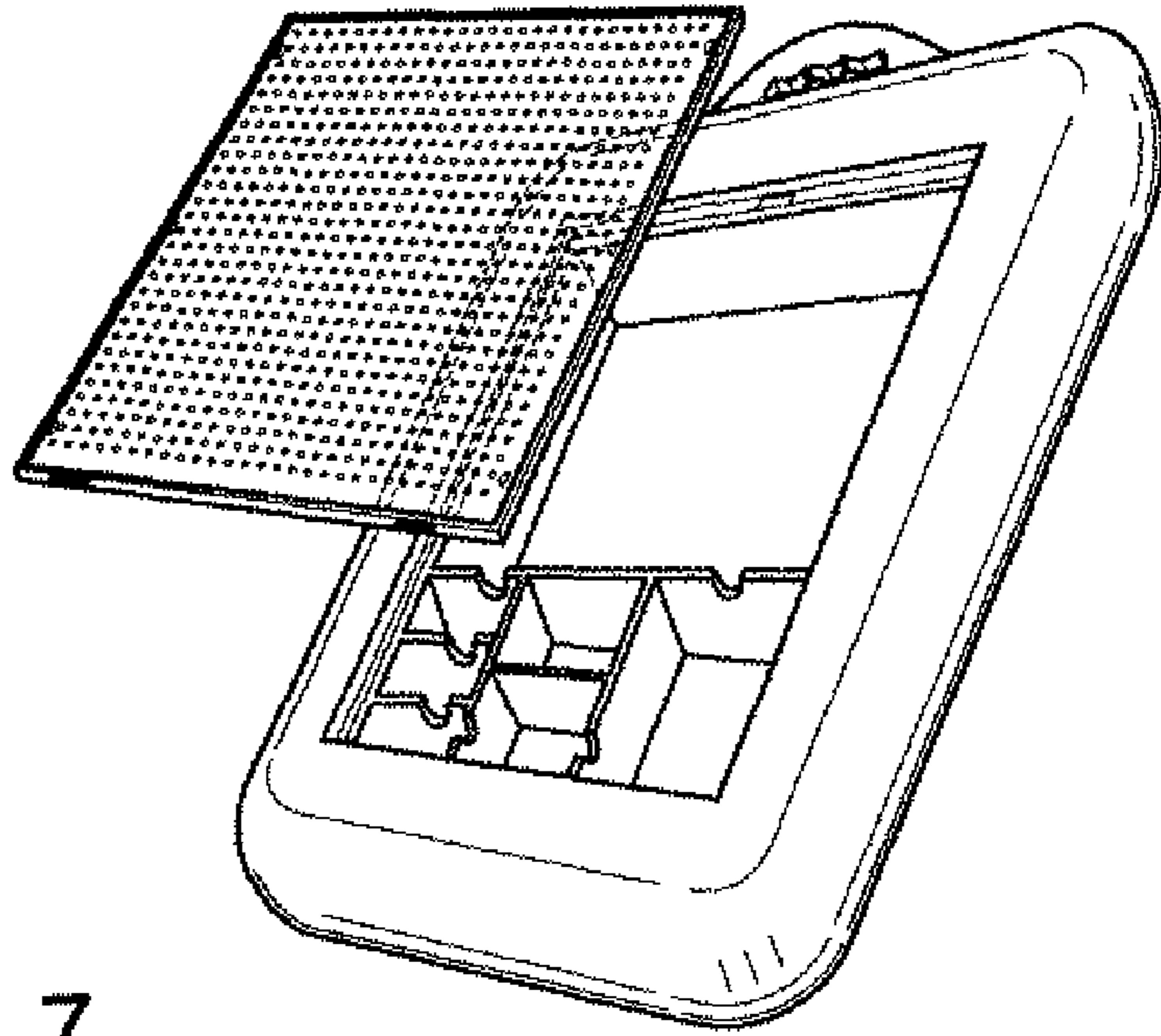


Fig. 7

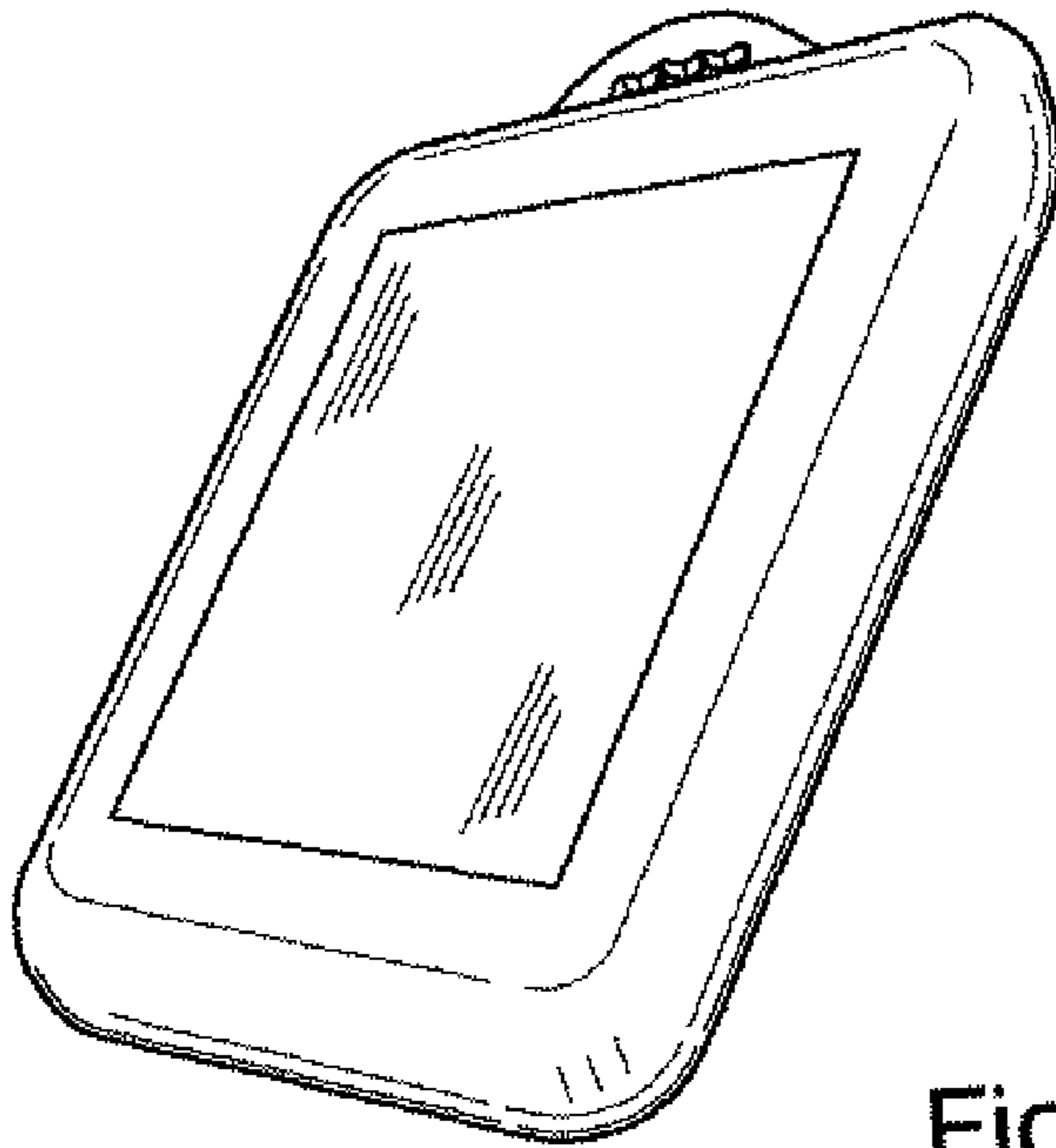


Fig. 8

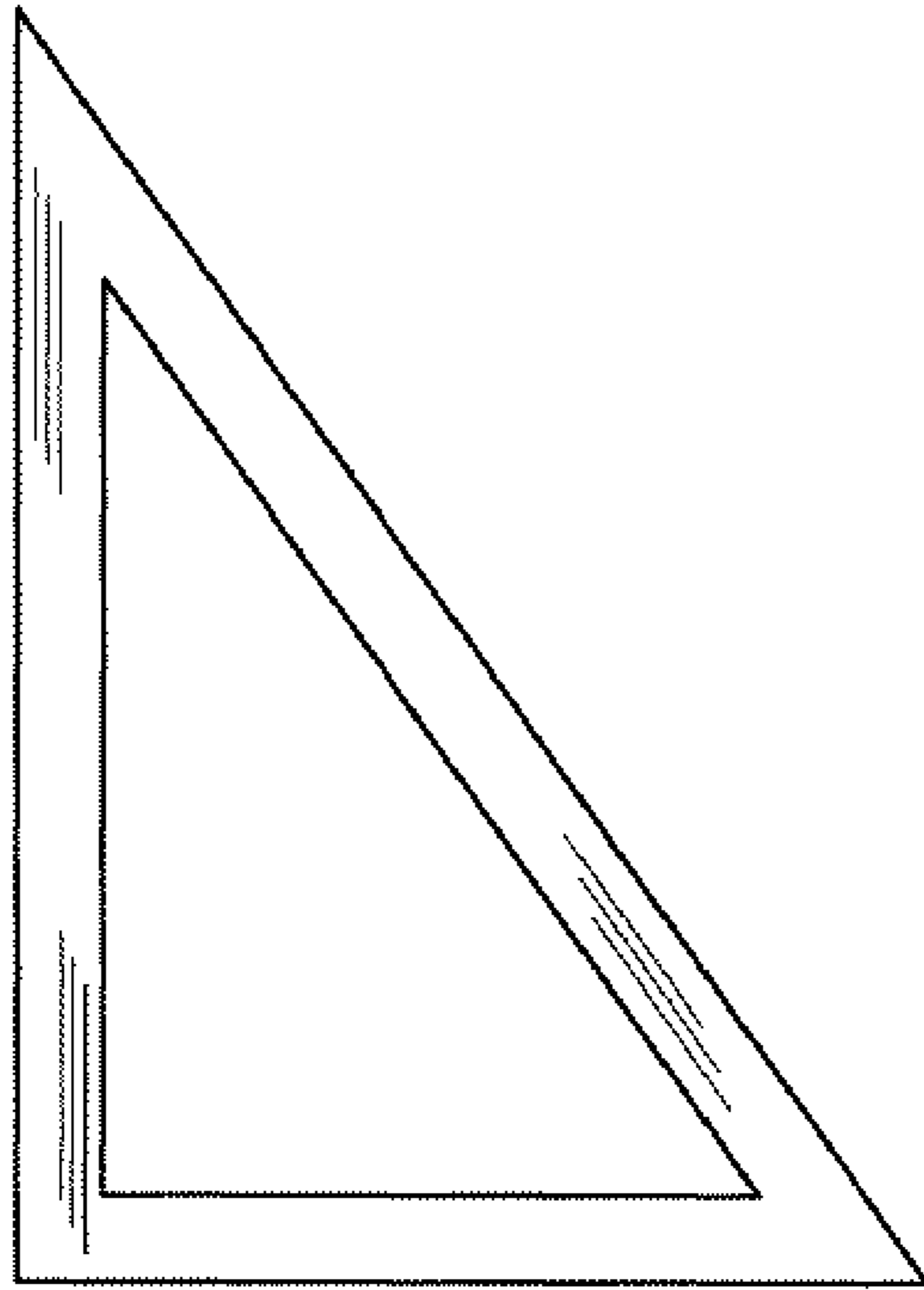


Fig. 9

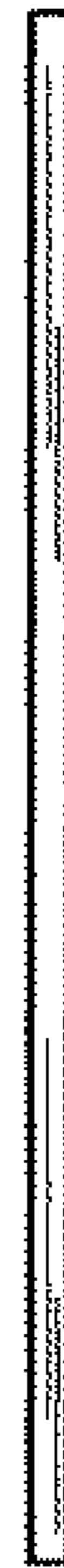


Fig. 10

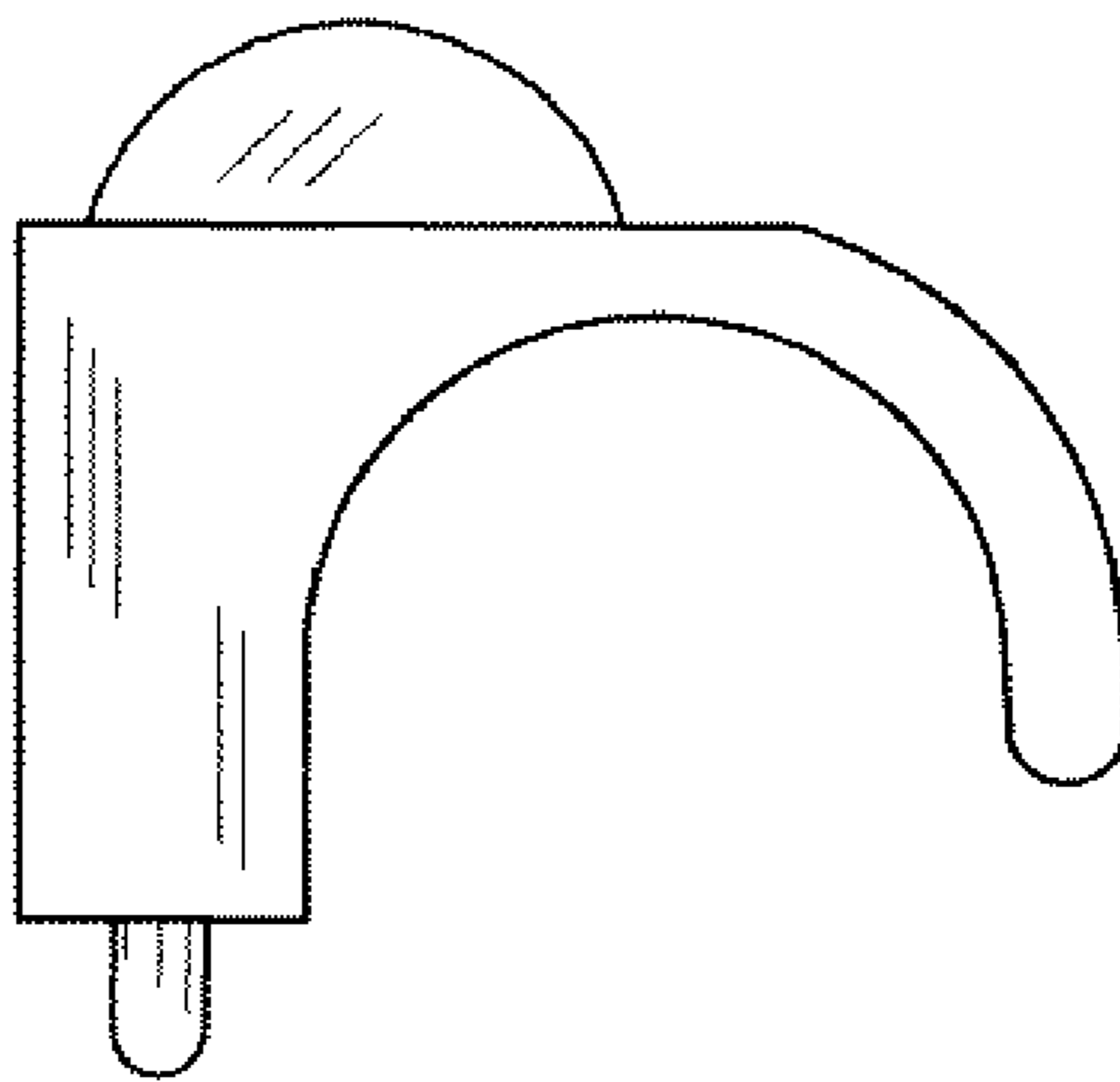


Fig. 19

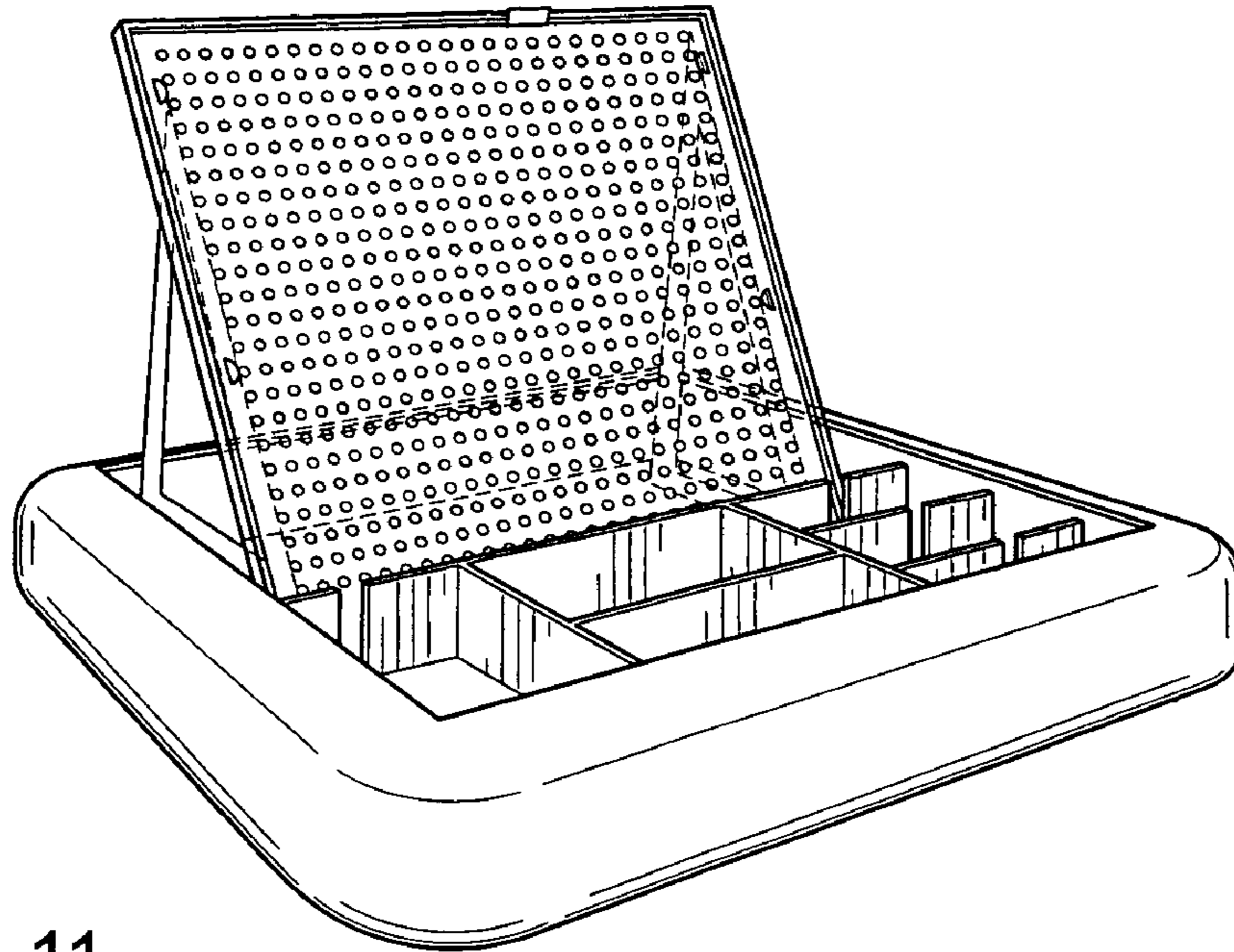


Fig. 11

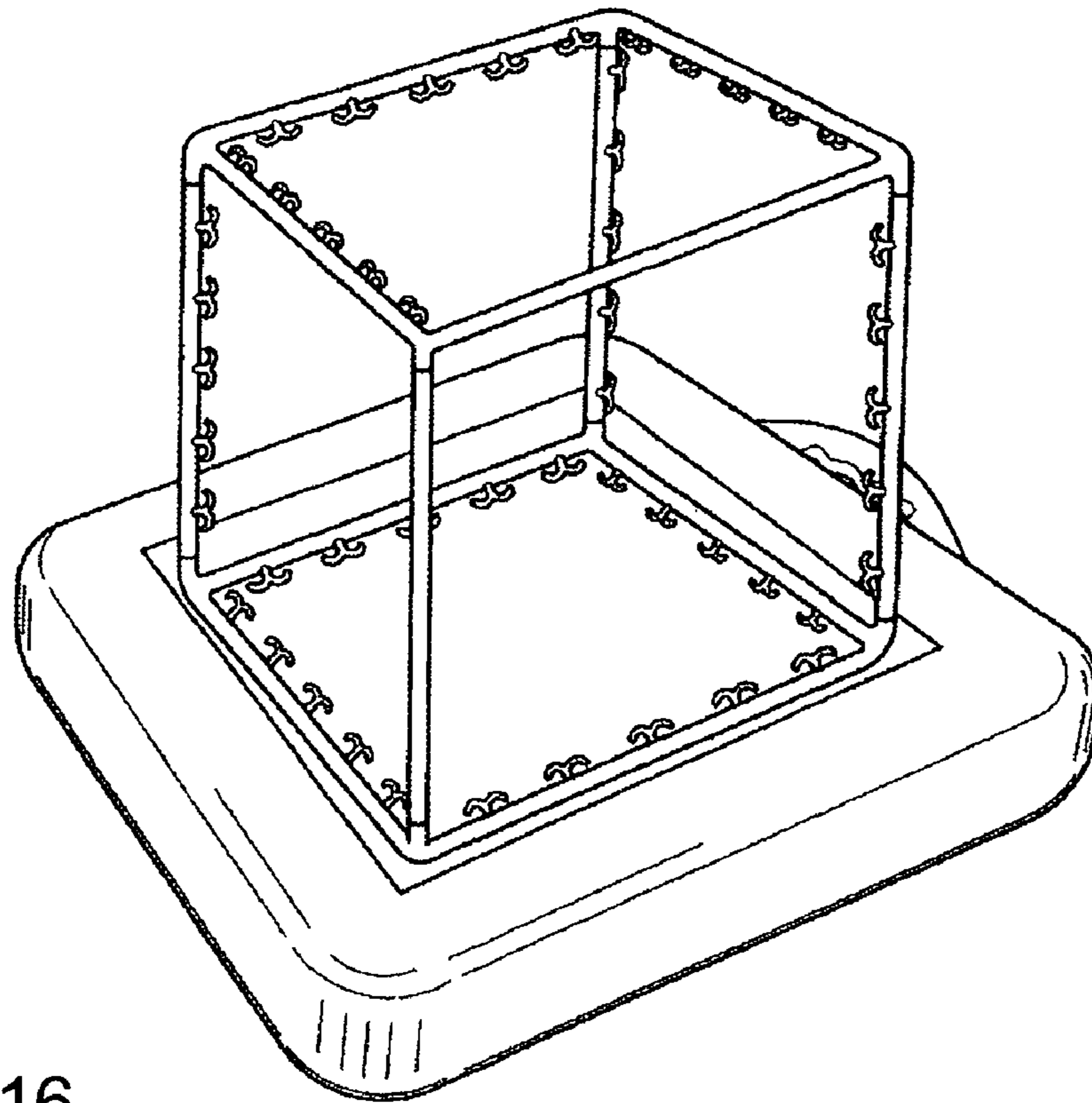


Fig. 16

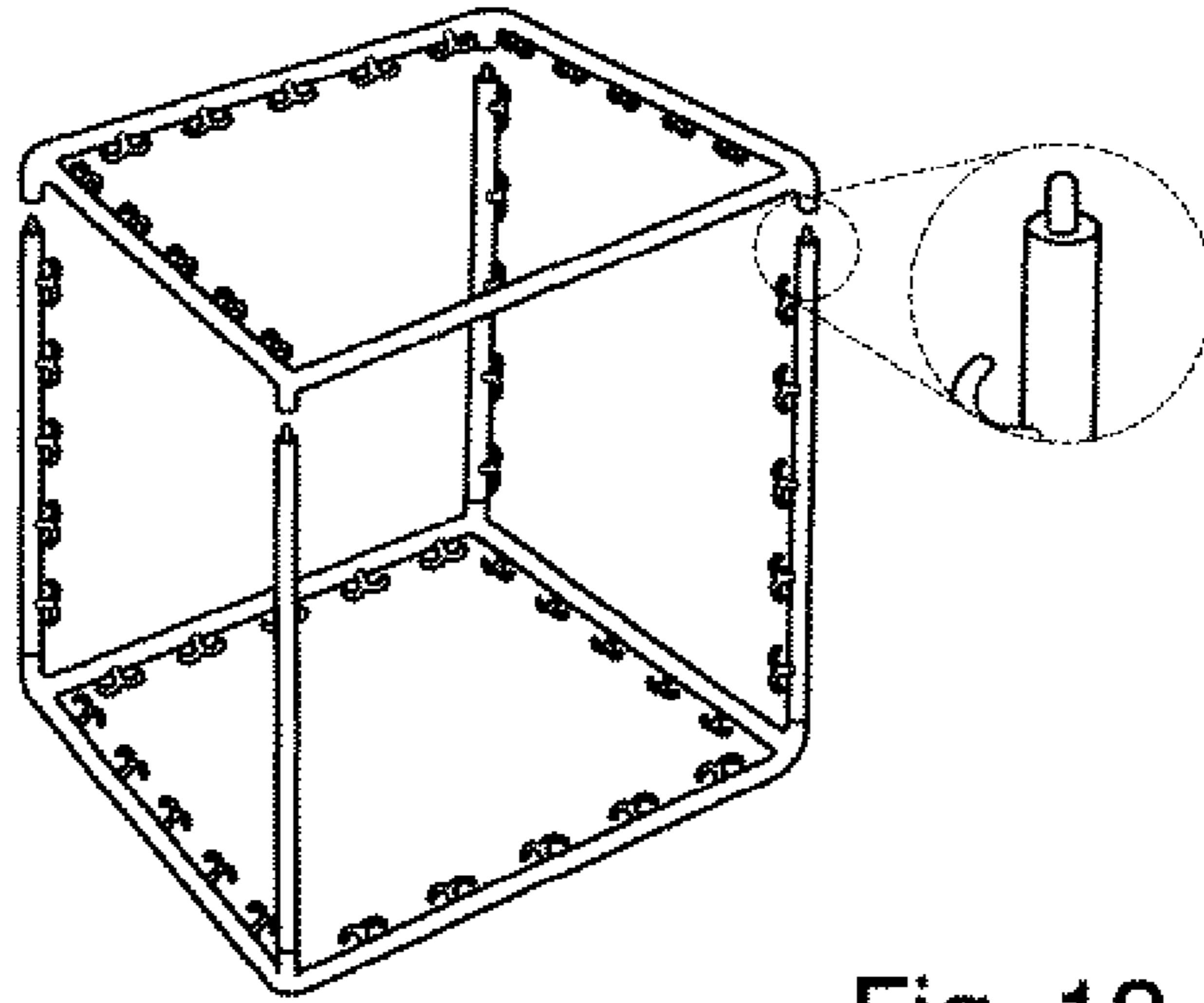


Fig. 12

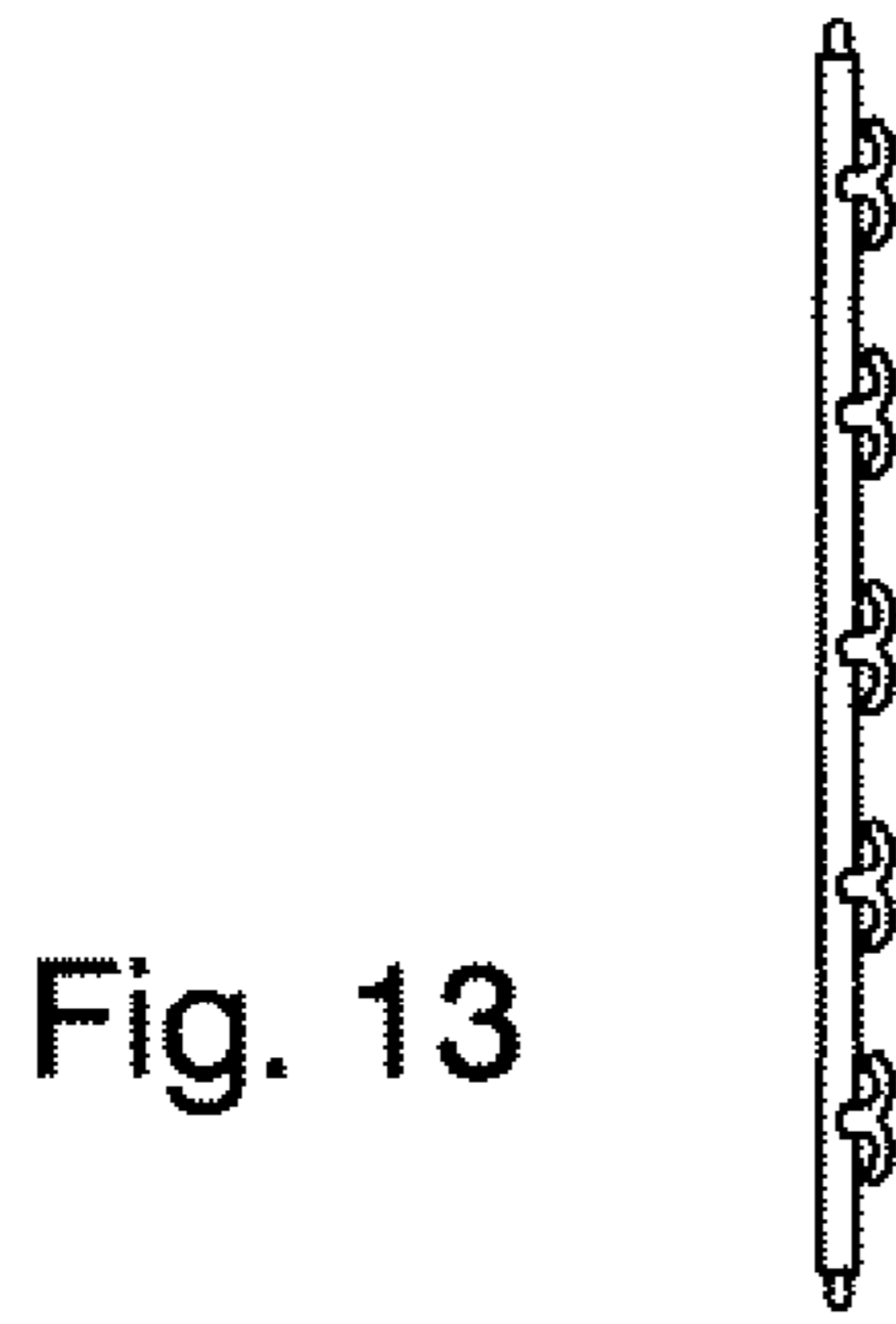


Fig. 13

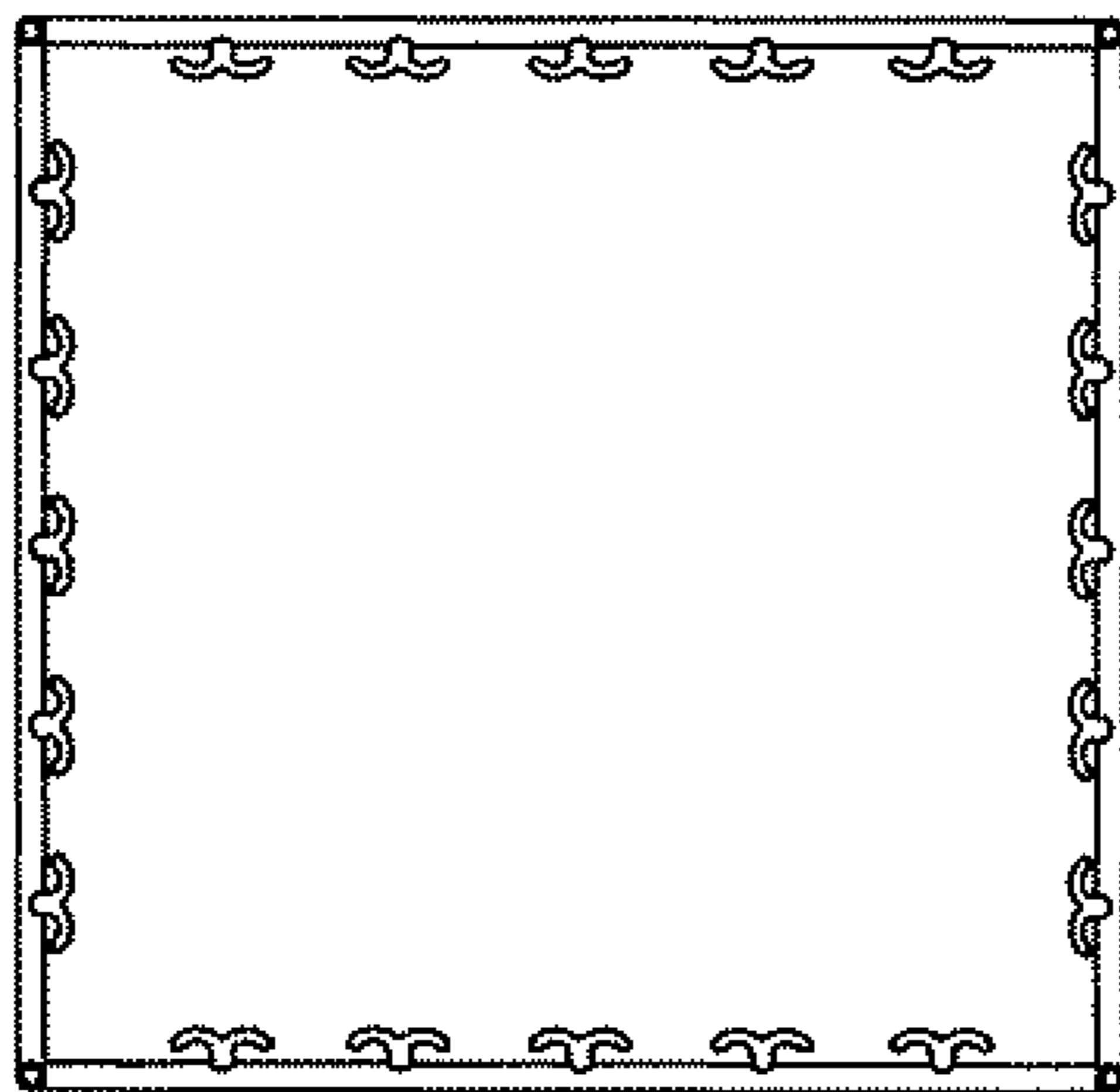


Fig. 15

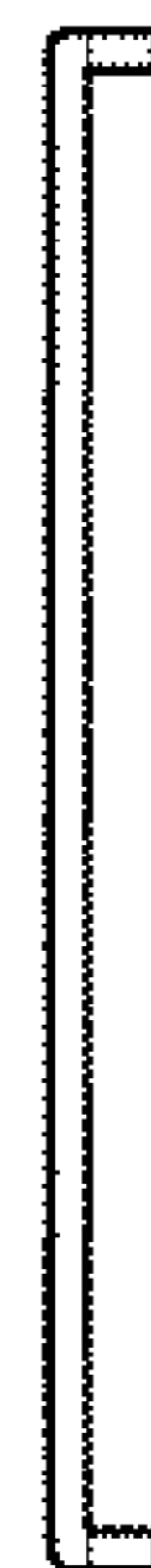


Fig. 14

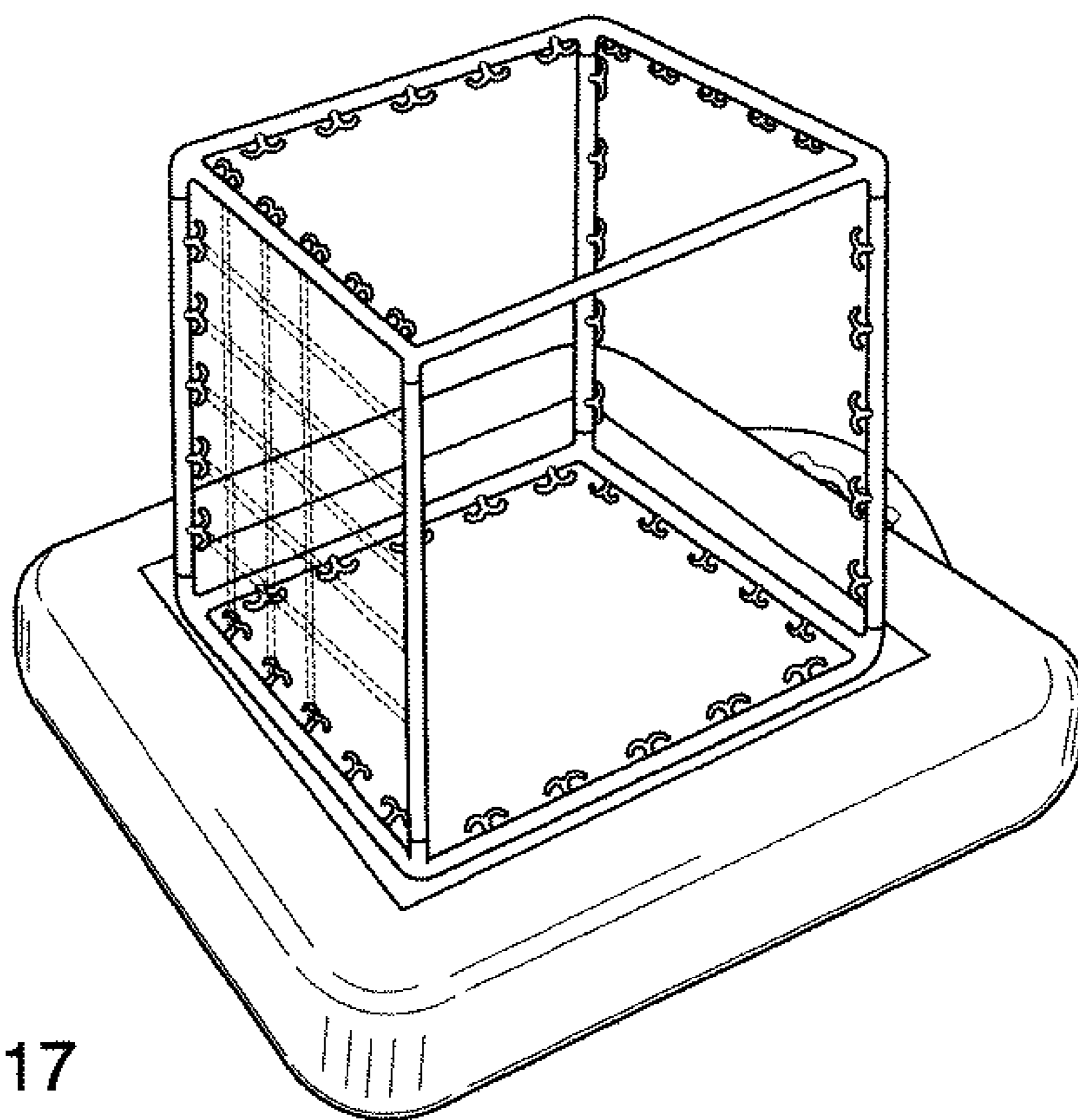


Fig. 17

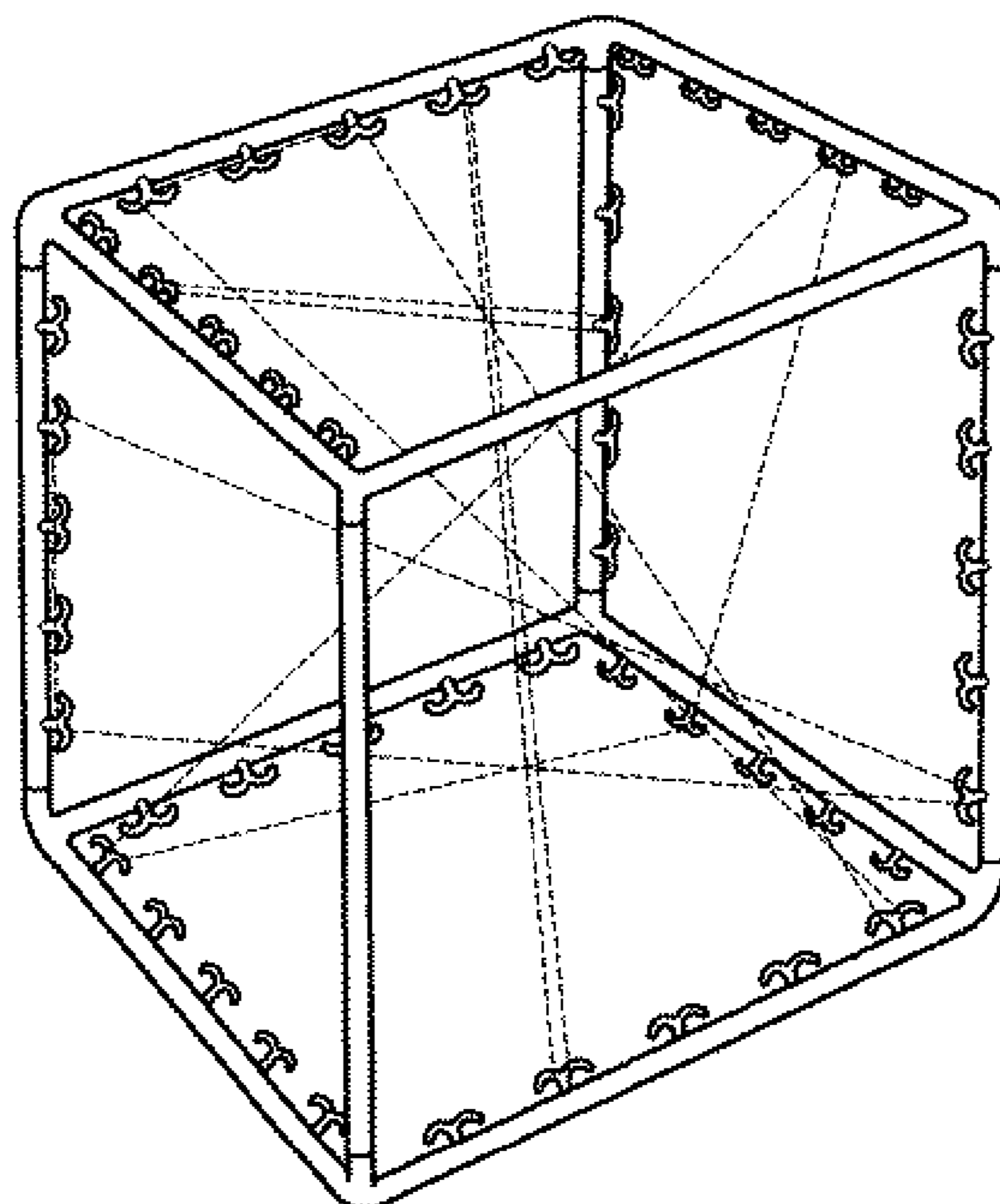


Fig. 18

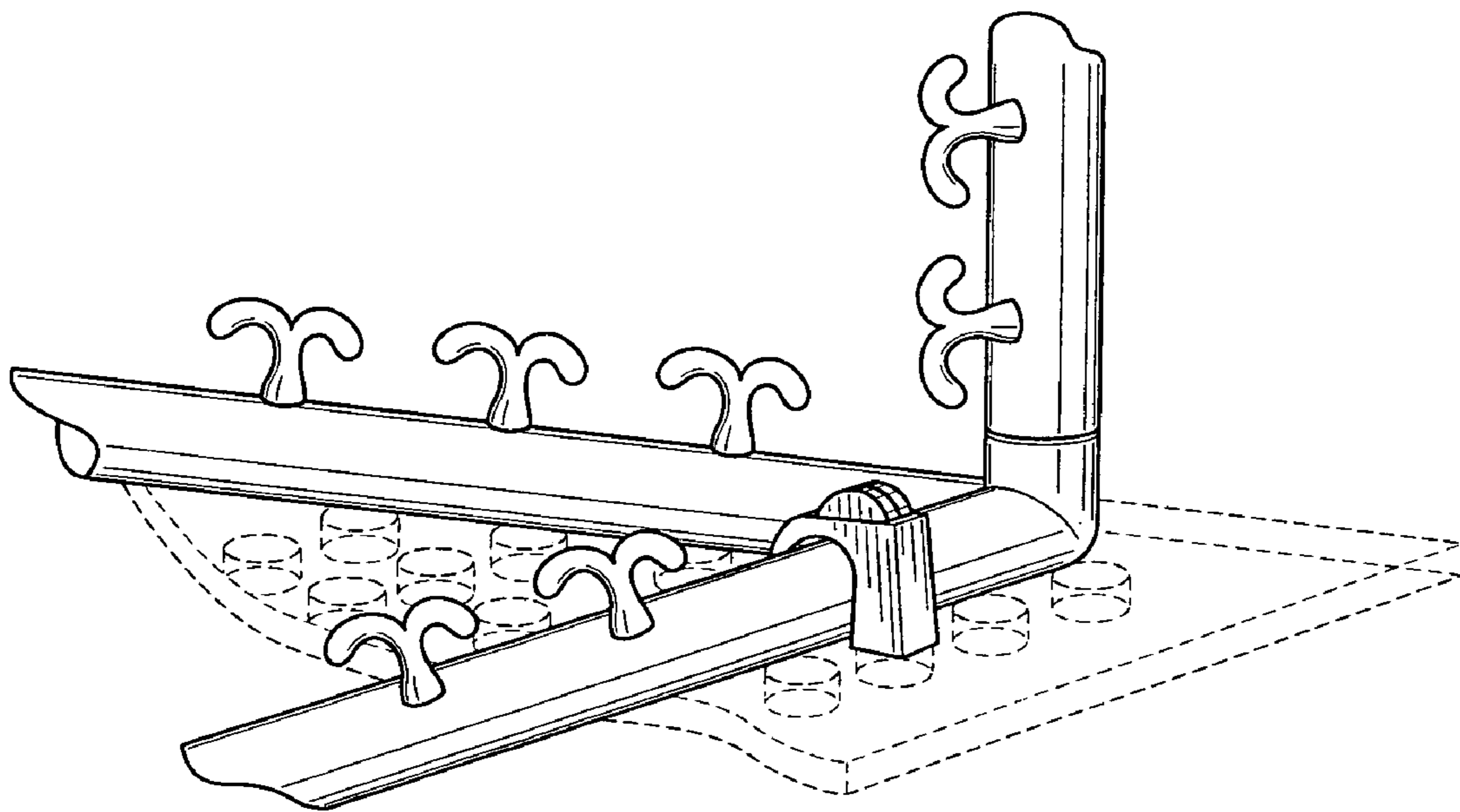


Fig. 20

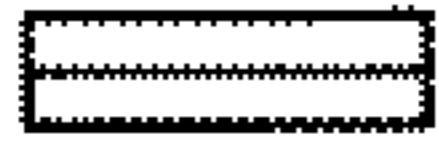


Fig. 22

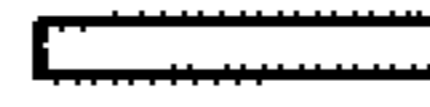


Fig. 25

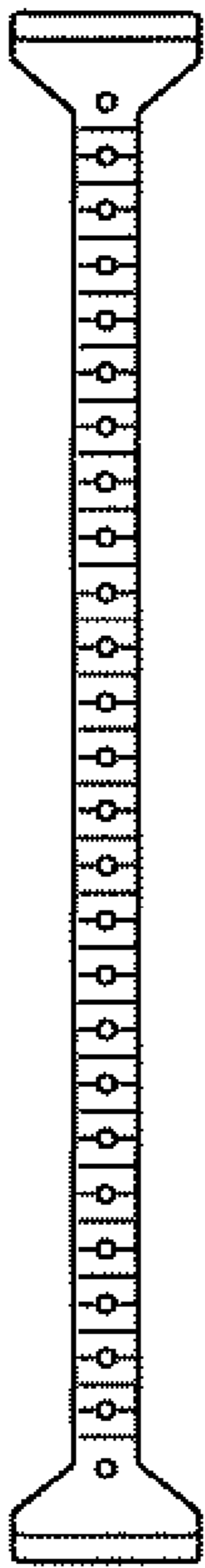


Fig. 21

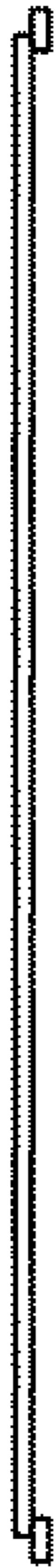


Fig. 23

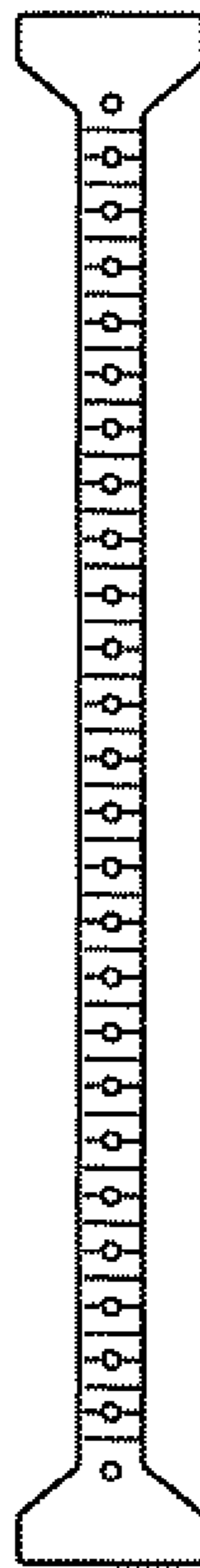


Fig. 24



Fig. 26

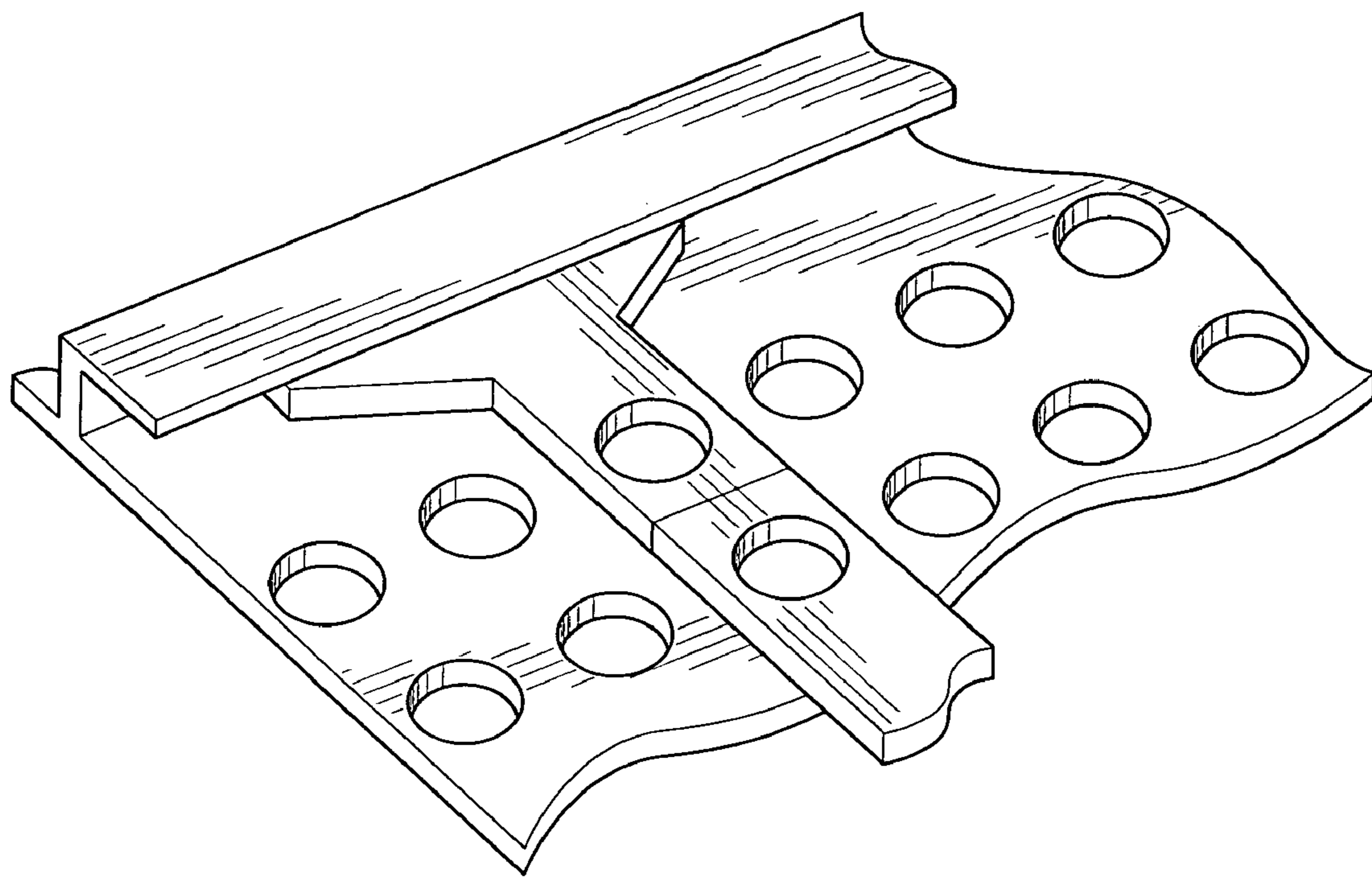


Fig. 27

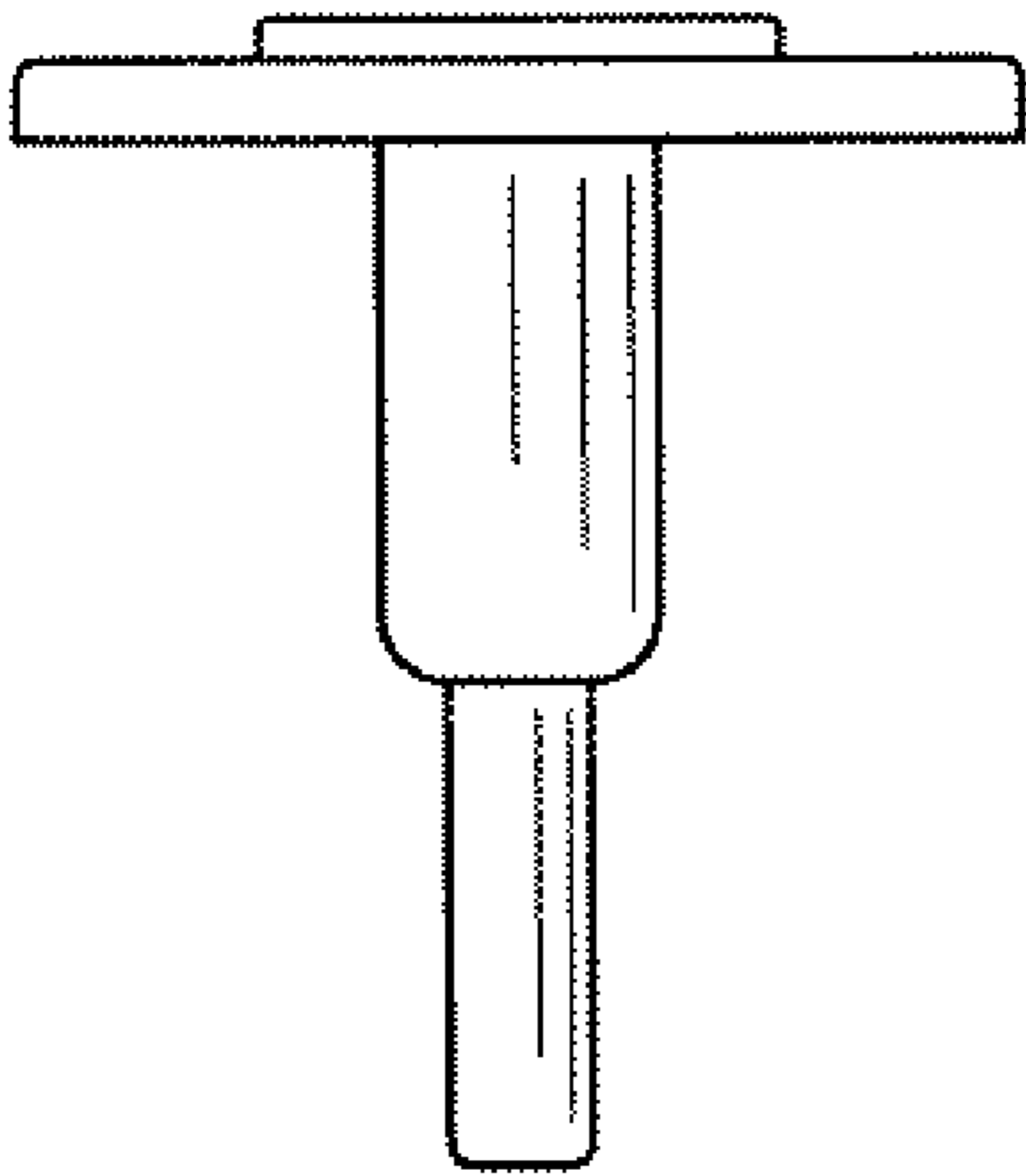


Fig. 28

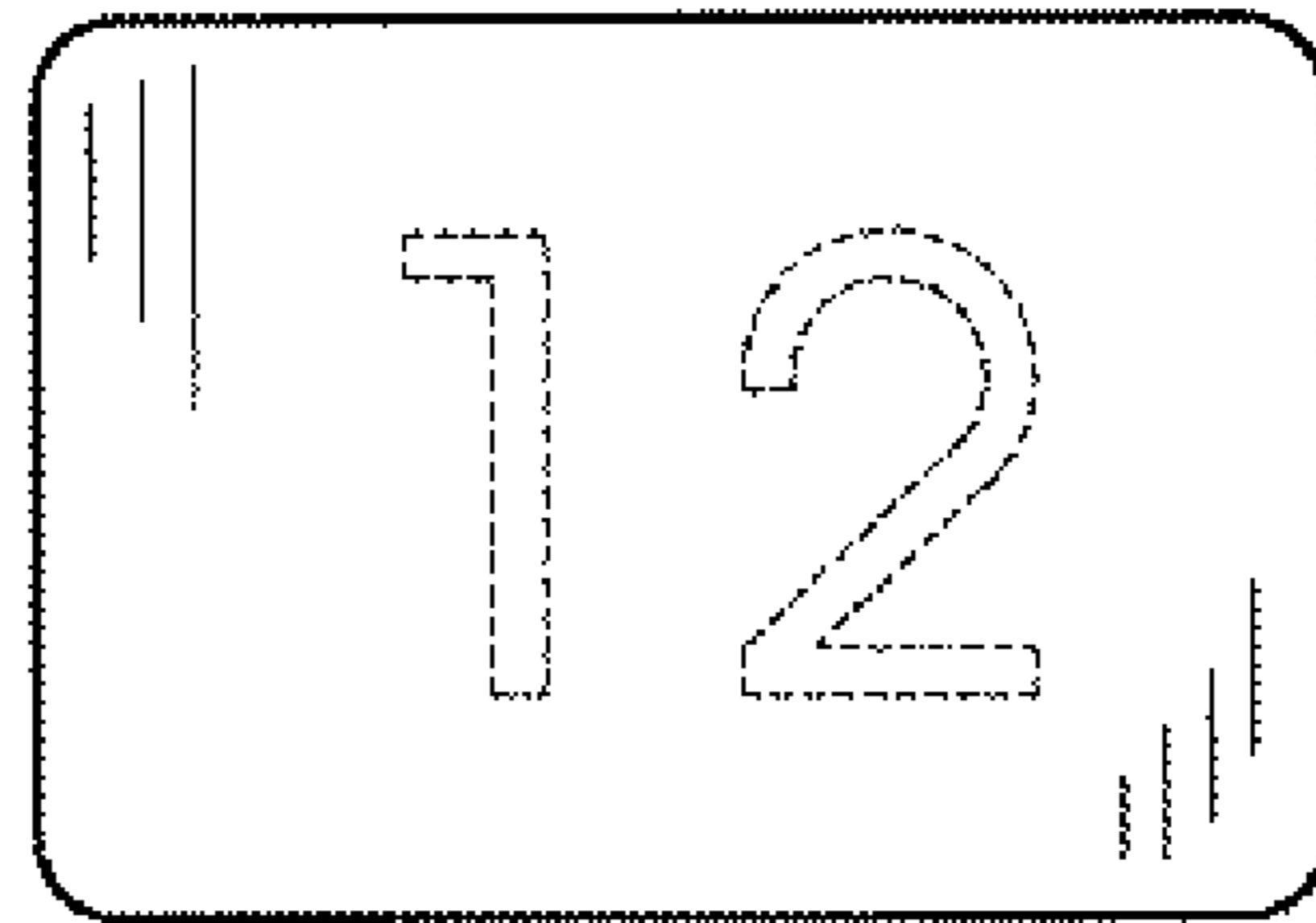


Fig. 29

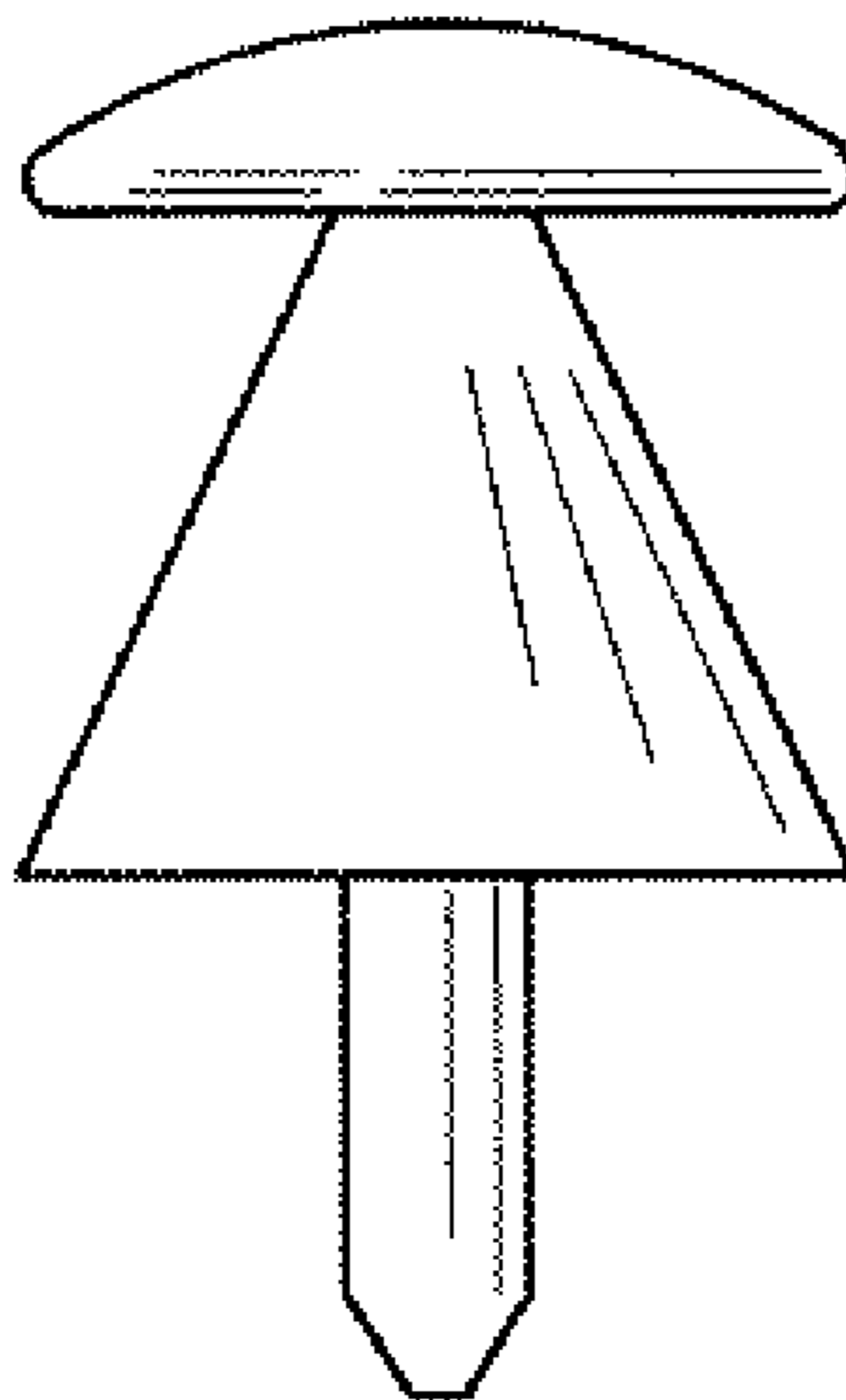


Fig. 30

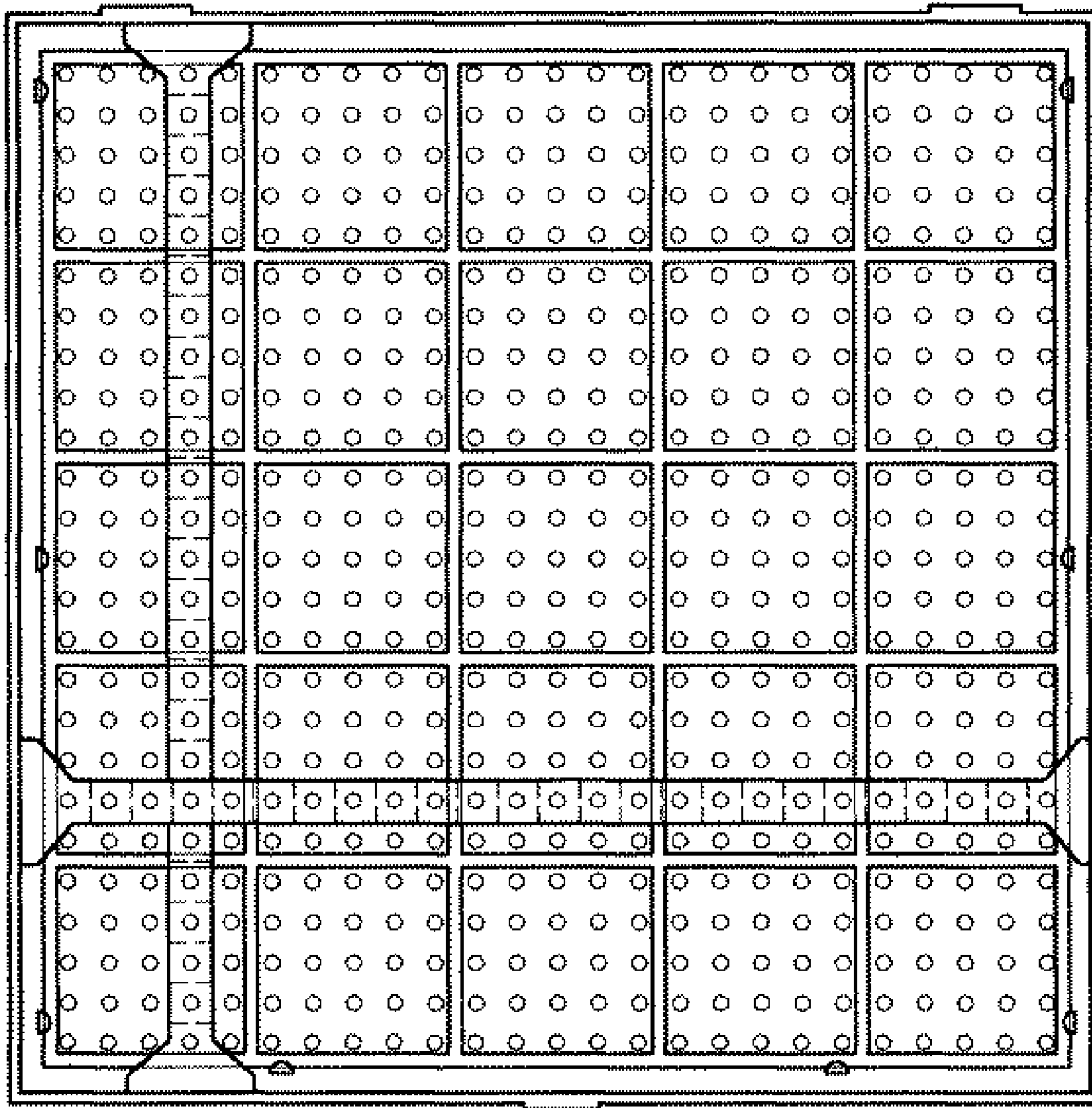


Fig. 31

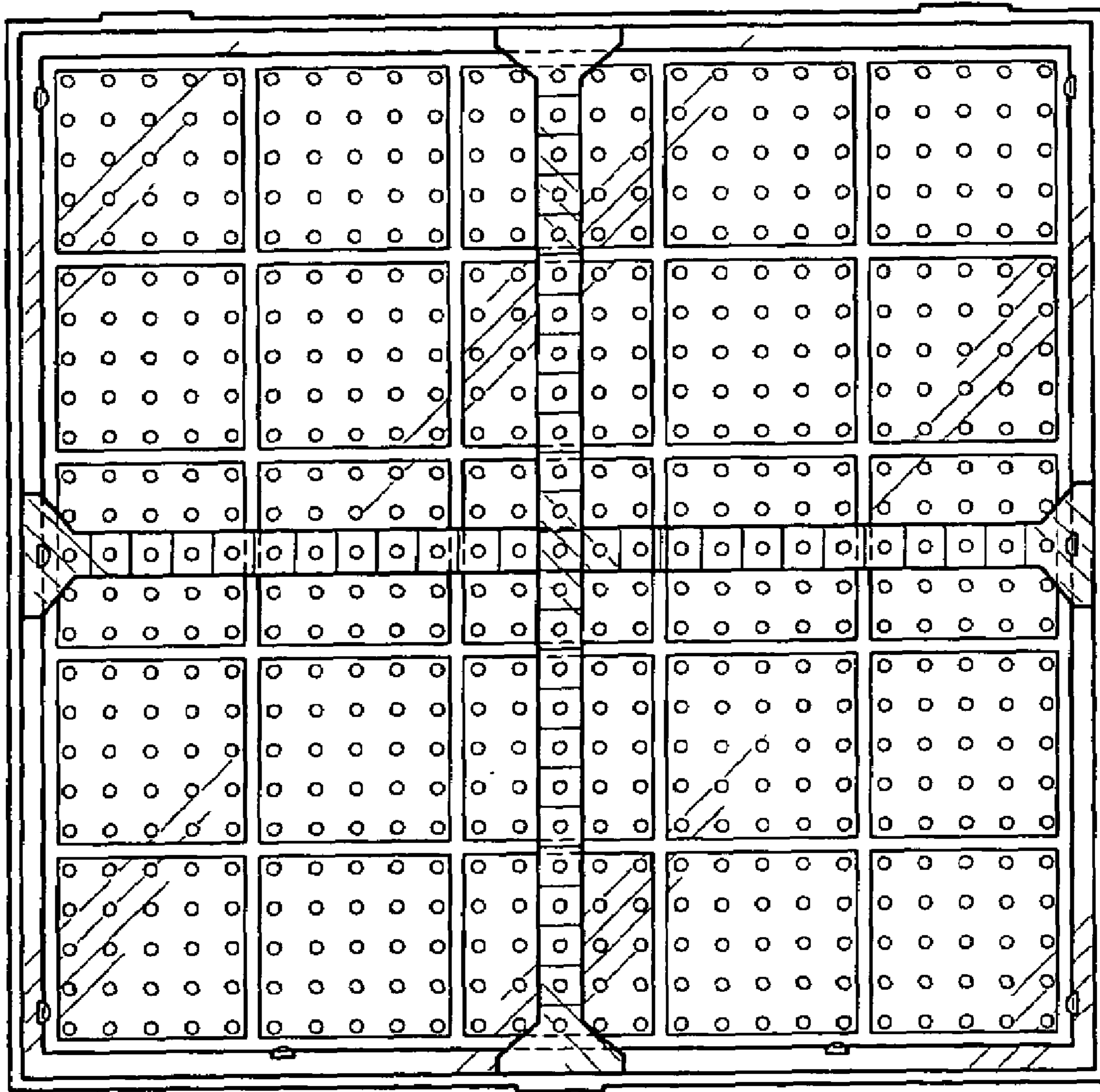


Fig. 32

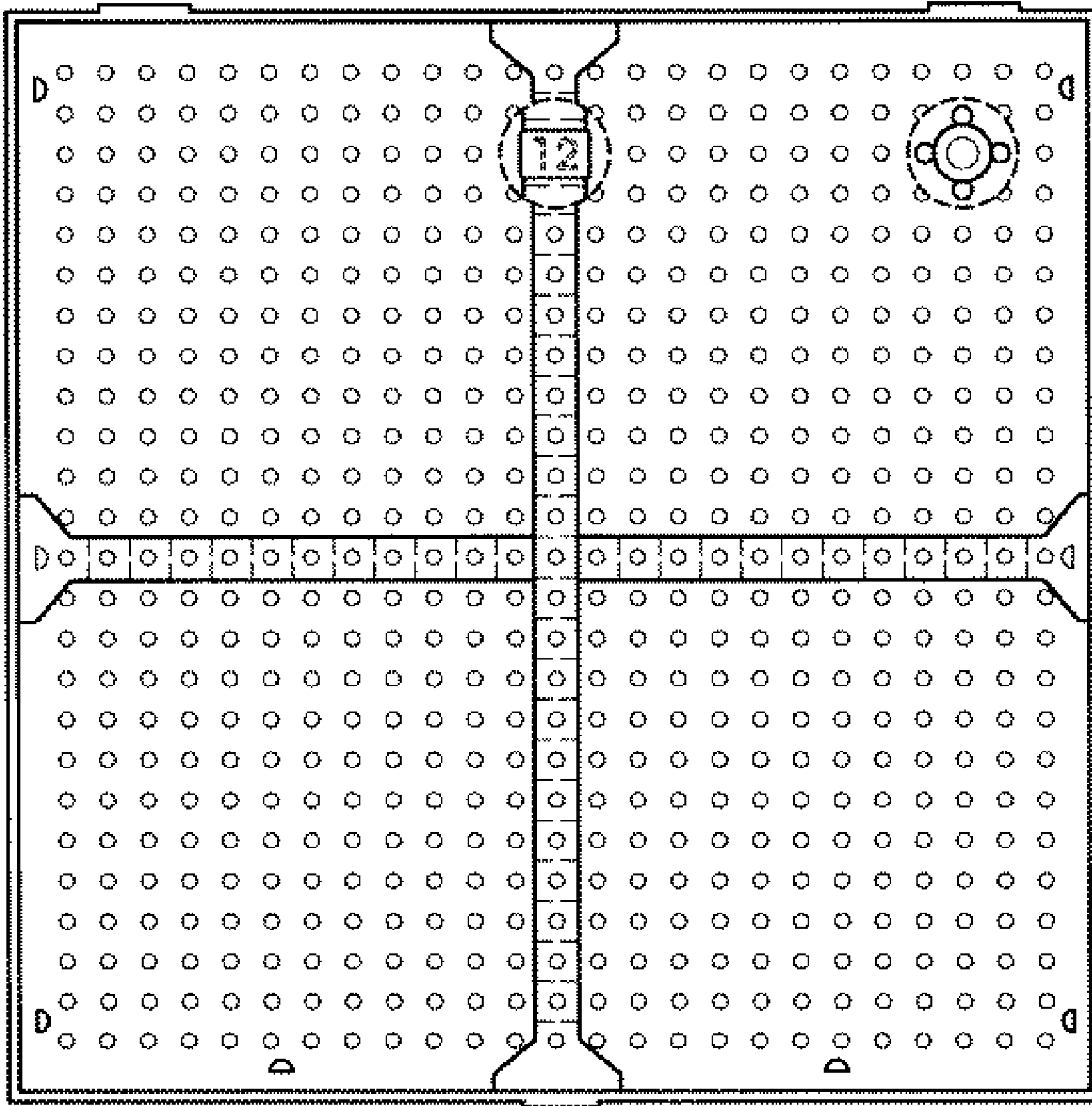


Fig. 33

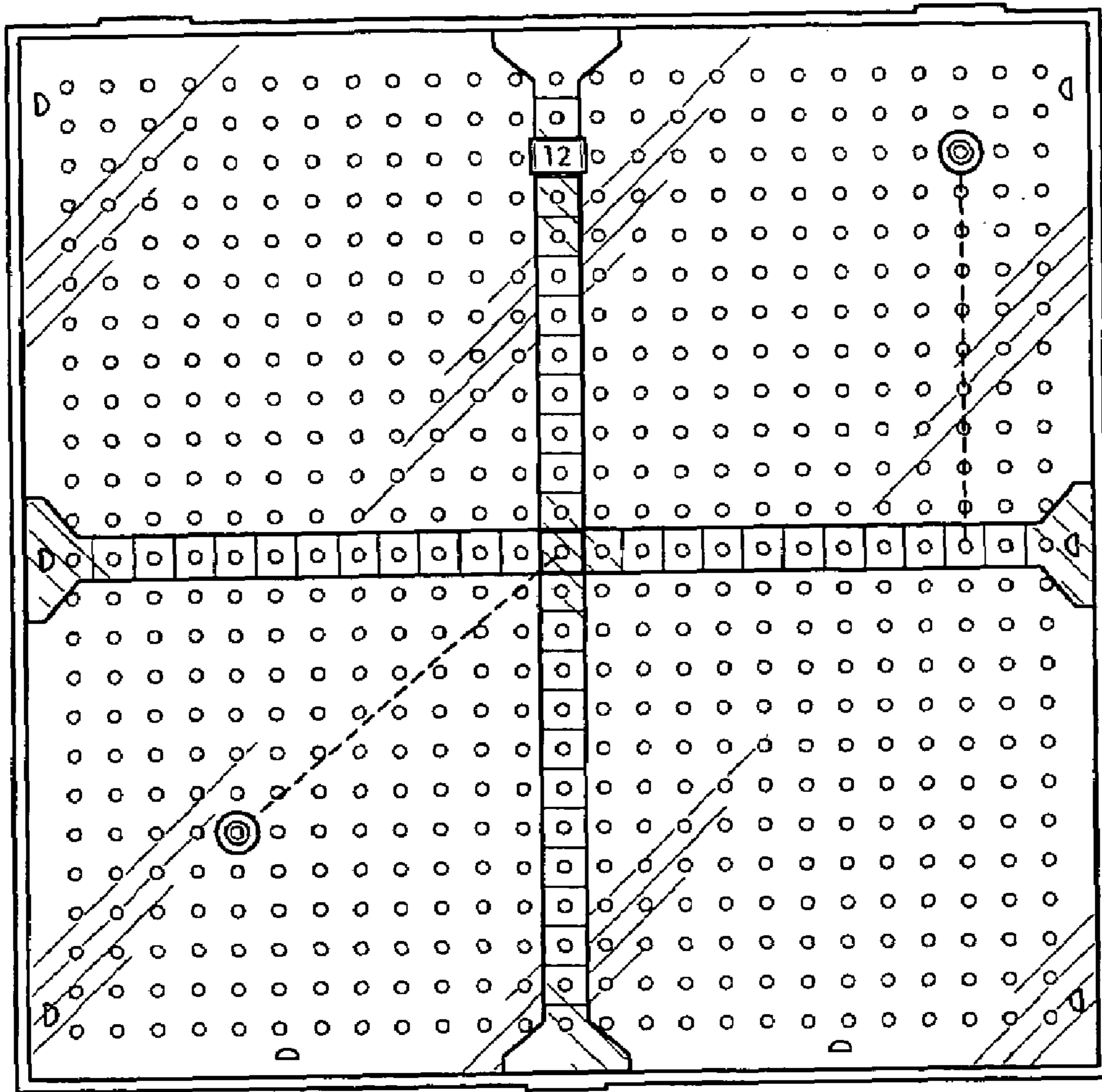


Fig. 34

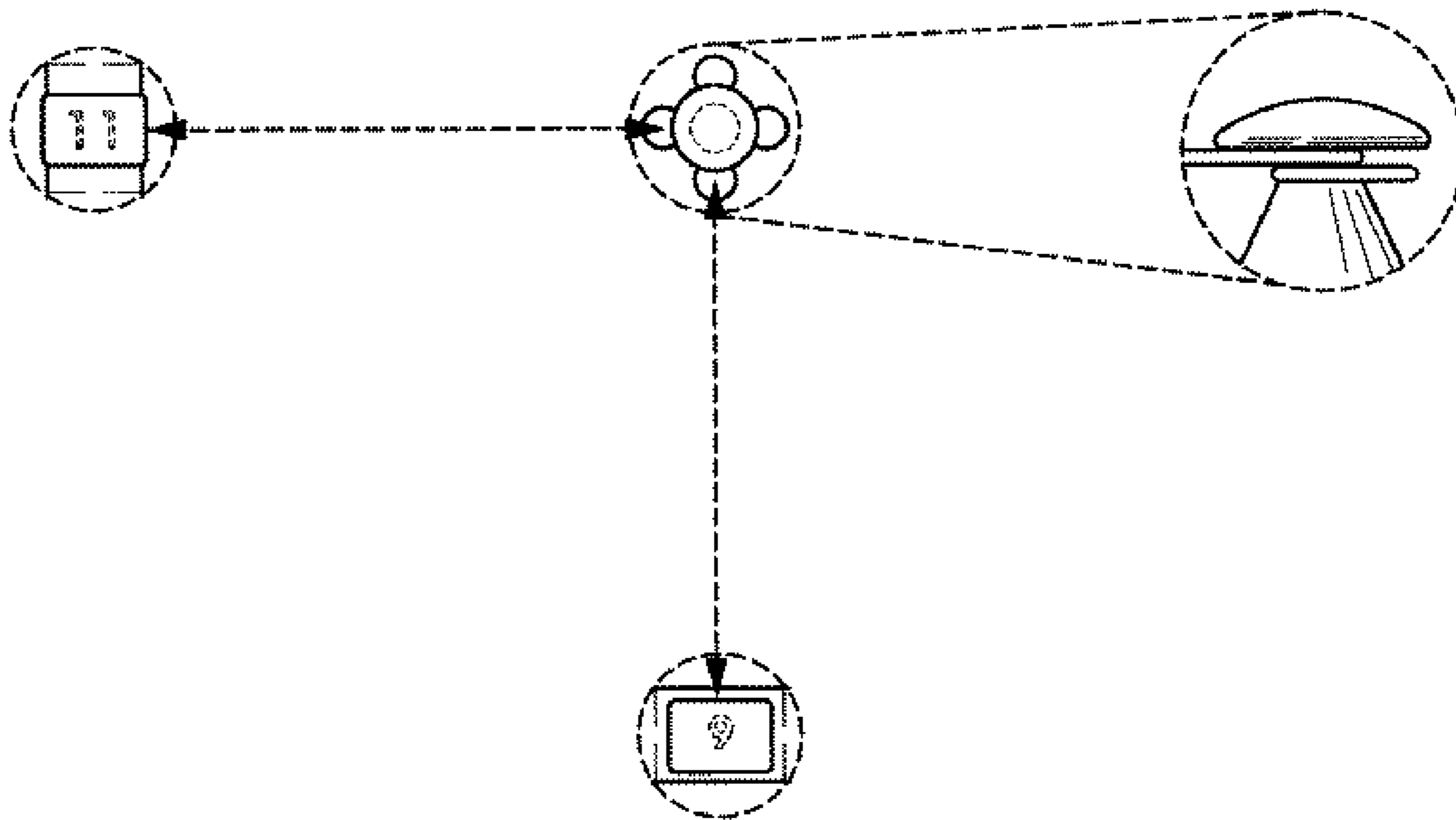


Fig. 35