



US00D544912S

(12) **United States Design Patent**
Maruyama

(10) **Patent No.:** **US D544,912 S**
(45) **Date of Patent:** **** Jun. 19, 2007**

(54) **HOUSING OF DAMPER MECHANISM FOR INK JET PRINTER**

(75) Inventor: **Koji Maruyama, Tomi (JP)**

(73) Assignee: **Mimaki Engineering Co., Ltd., Tomi (JP)**

(**) Term: **14 Years**

(21) Appl. No.: **29/261,746**

(22) Filed: **Jun. 20, 2006**

(51) **LOC (8) Cl.** **18-02**

(52) **U.S. Cl.** **D18/56; 347/94**

(58) **Field of Classification Search** D18/40,
D18/43, 56; D14/481; 347/10, 20, 29, 33,
347/37, 40, 49-50, 70-72, 84-87, 92-94
See application file for complete search history.

(56) **References Cited**

U.S. PATENT DOCUMENTS

5,736,992	A *	4/1998	Pawlowski, Jr.	347/85
5,847,734	A *	12/1998	Pawlowski, Jr.	347/86
6,880,910	B2 *	4/2005	Tominaga	347/20
6,984,031	B2 *	1/2006	Bailey et al.	347/86
D522,049	S *	5/2006	Ishizawa et al.	D18/56
D529,954	S *	10/2006	Matsumoto	D18/56

7,118,206	B1 *	10/2006	Stockwell et al.	347/92
2004/0027427	A1 *	2/2004	Tominaga	347/85
2006/0028517	A1 *	2/2006	Ishizawa et al.	347/86

* cited by examiner

Primary Examiner—Cathy Anne MacCormac

(74) *Attorney, Agent, or Firm*—Ditthavong Mori & Steiner, P.C.

(57) **CLAIM**

The ornamental design for a housing of damper mechanism for ink jet printer, as shown and described.

DESCRIPTION

FIG. 1 is a front elevational view of a housing of damper mechanism for ink jet printer, showing my new design;

FIG. 2 is a left side elevational view thereof;

FIG. 3 is a right side elevational view thereof;

FIG. 4 is a top plan view thereof;

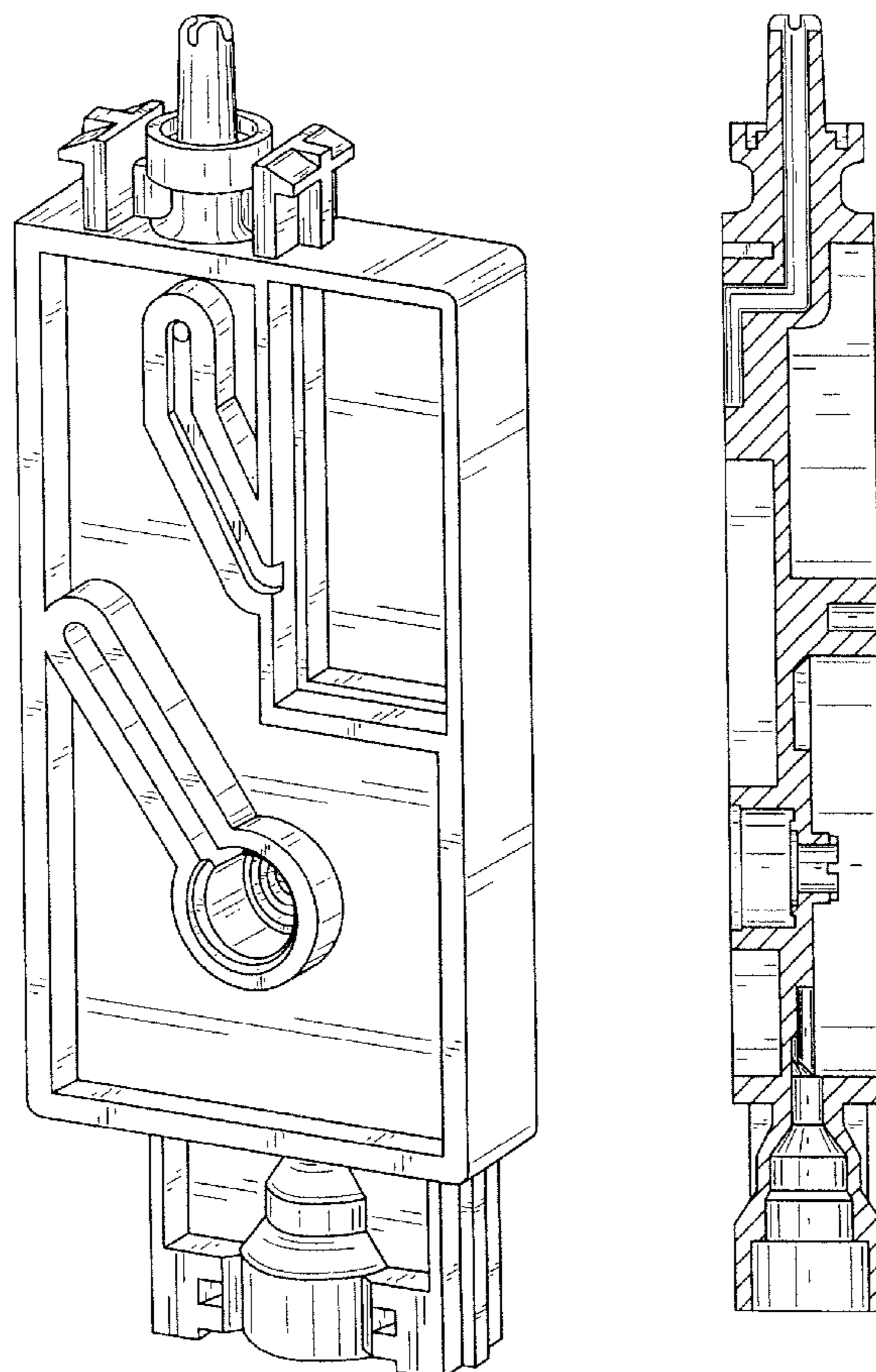
FIG. 5 is a bottom plan view thereof;

FIG. 6 is a rear elevational view thereof;

FIG. 7 is a front, top and right side perspective view thereof; and,

FIG. 8 is a cross-sectional view of FIG. 1.

1 Claim, 6 Drawing Sheets



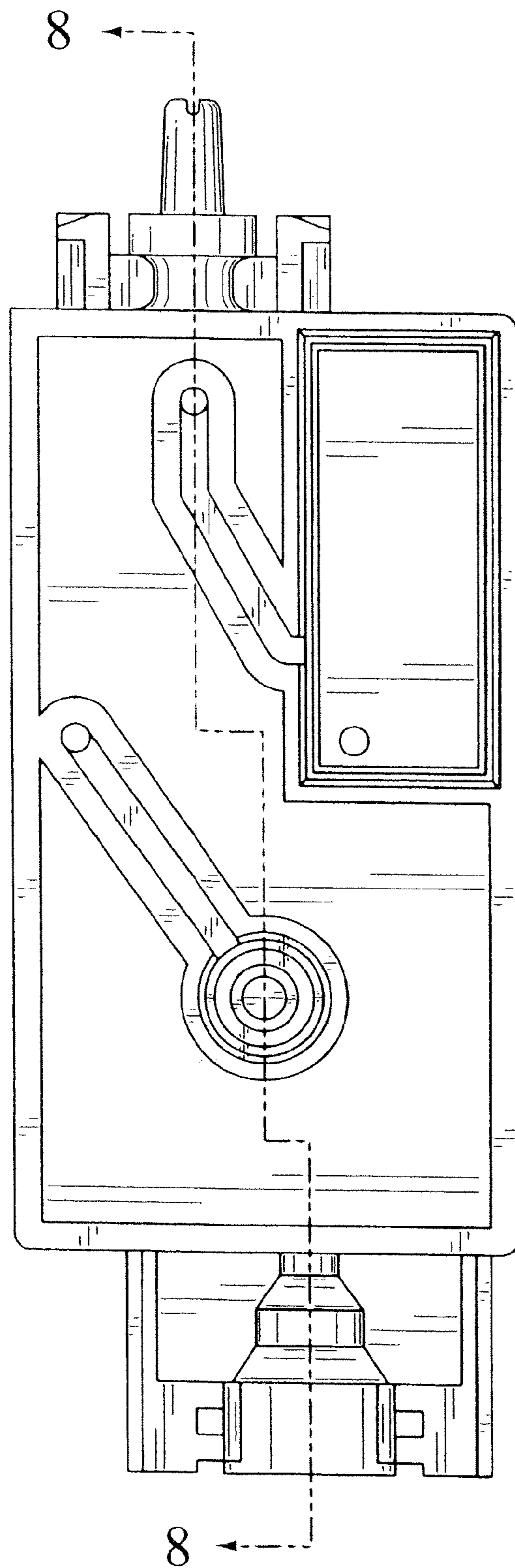


FIG. 1

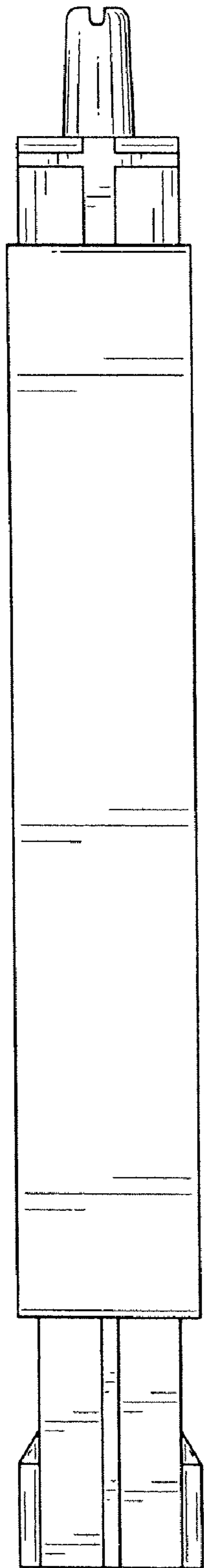


FIG. 2

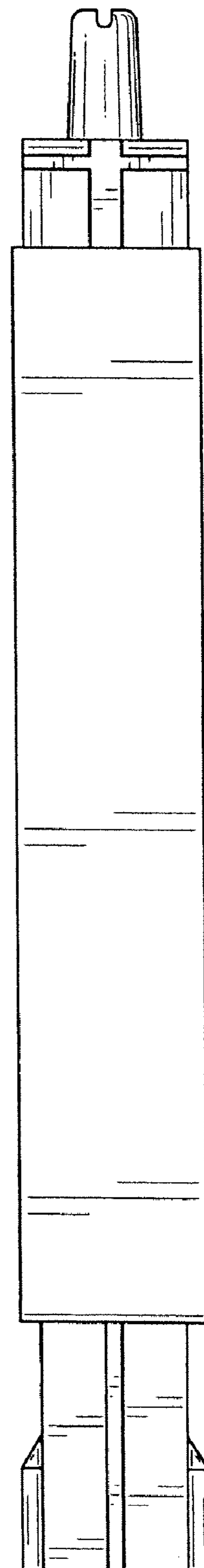


FIG. 3

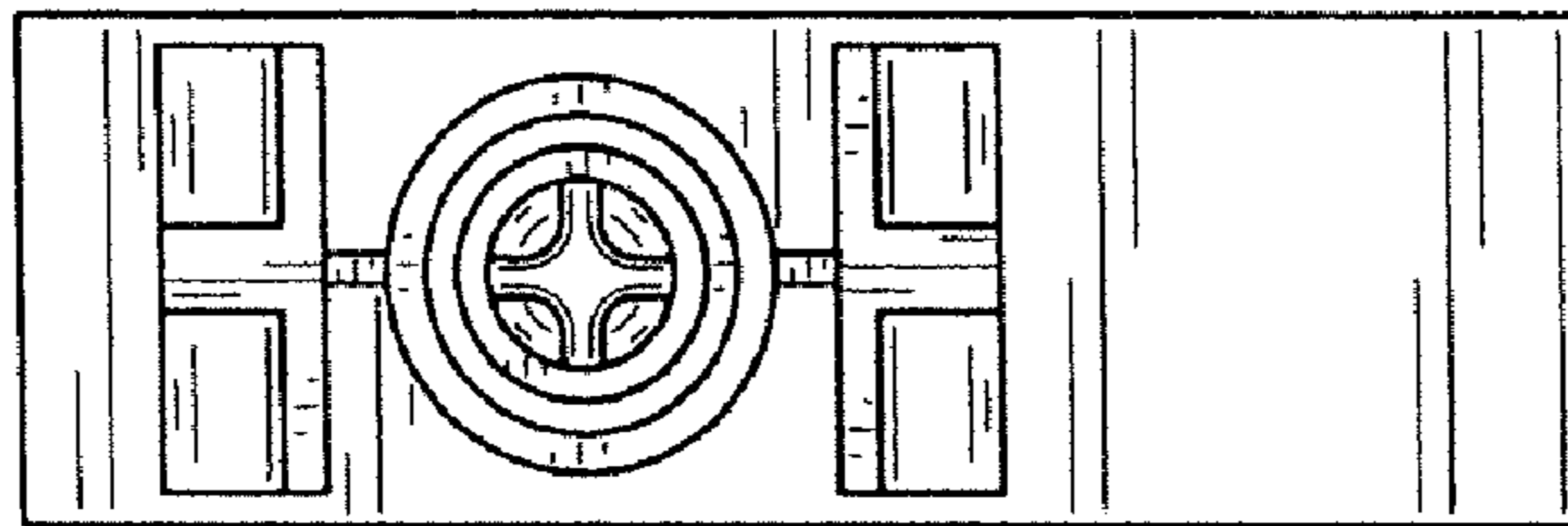


FIG. 4

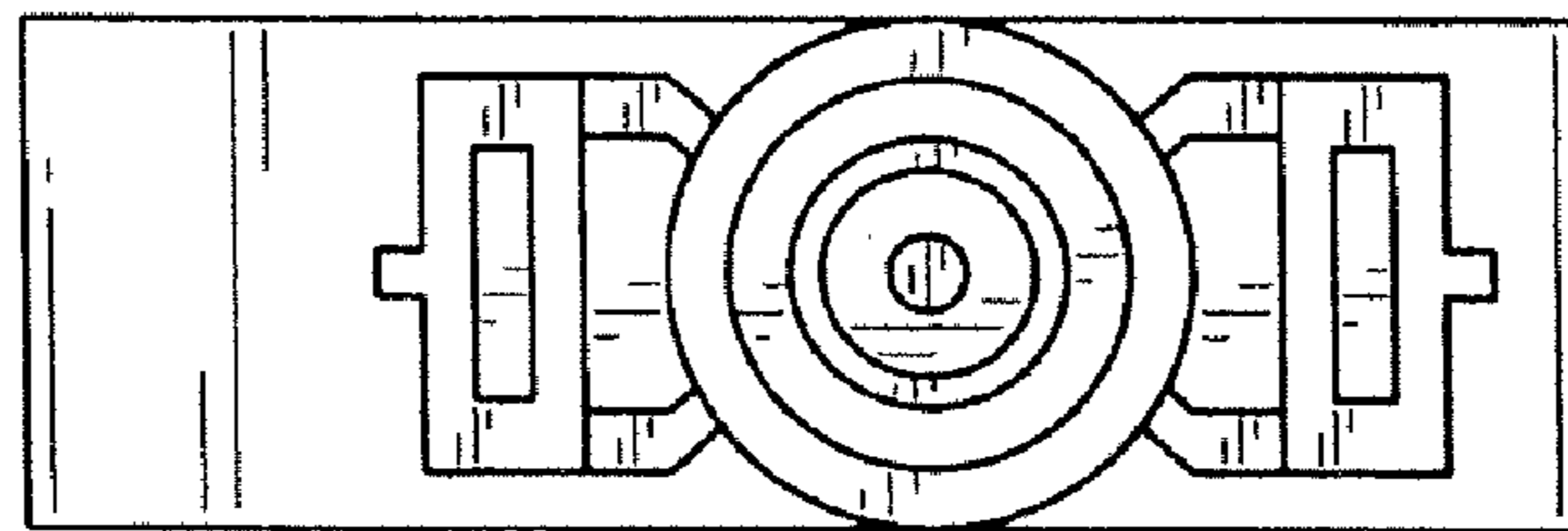


FIG. 5

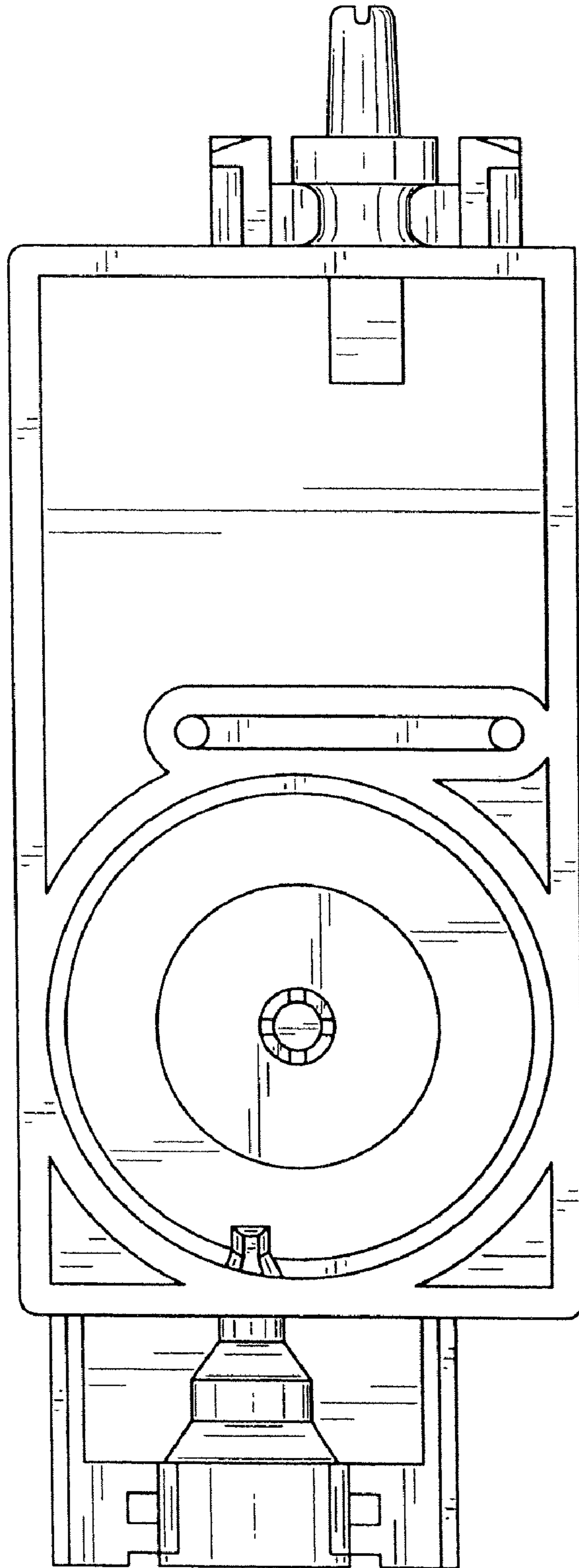


FIG. 6

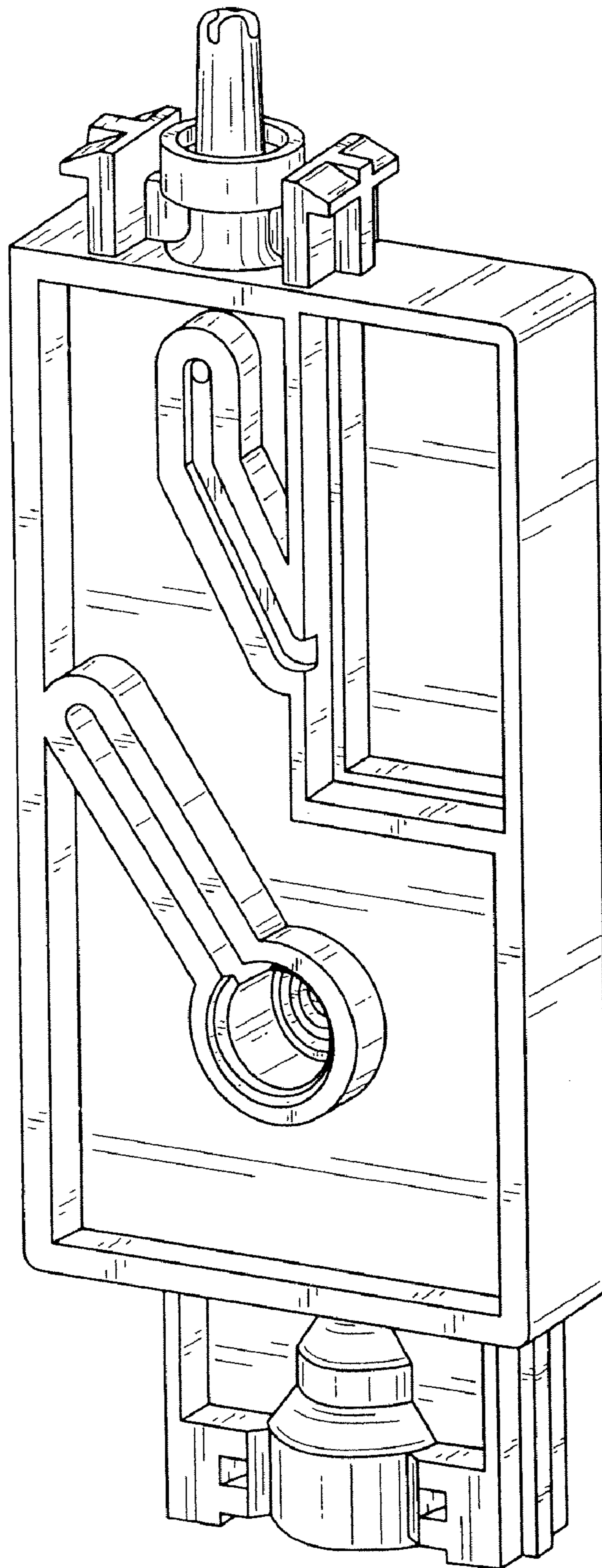


FIG. 7

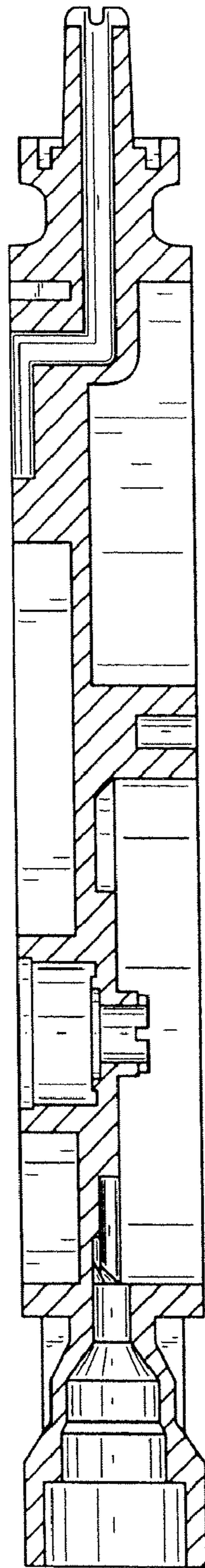


FIG. 8